

AIR CONDITIONING SYSTEMS

SMART MULTI

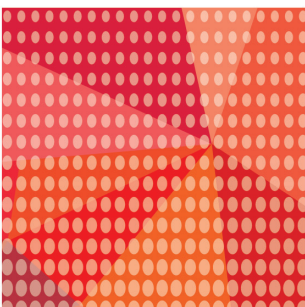


DATA BOOK

MODEL

MXZ-SM36/48/60NL-U1

MXZ-SM36/42/48NLHZ-U1



MXZ-SM model

Type(Btu/h)	36,000	48,000	60,000
Model Name	MXZ-SM36NL-U1	MXZ-SM48NL-U1	MXZ-SM60NL-U1

H2i MXZ-SM model

Type(Btu/h)	36,000	42,000	48,000
Model Name	MXZ-SM36NLHZ-U1	MXZ-SM42NLHZ-U1	MXZ-SM48NLHZ-U1

MXZ-SM-NL-U1, MXZ-SM-NLHZ-U1

1. SPECIFICATIONS	2
2. EXTERNAL DIMENSIONS	5
3. CENTER OF GRAVITY	7
4. ELECTRICAL WIRING DIAGRAMS	8
5. SOUND LEVELS	11
6. OPERATION TEMPERATURE RANGE	12
7. CAPACITY TABLES	13
7-1. Selection of indoor and outdoor units	13
7-2. Correction by temperature	19
7-3. Correction by total indoor	24
7-4. Correction by refrigerant piping length	32
7-5. Correction at frost and defrost	33
8. OPTIONAL PARTS	34
8-1. JOINT	34
8-2. HEADER	35
9. ELECTRICAL WORK	36
9-1. General cautions	36
9-2. Power cable specifications	37
9-3. Power supply examples	39
10. M-NET CONTROL	40
10-1. Transmission cable length limitation	40
10-2. Transmission cable specifications	42
10-3. System configuration restrictions	42
10-4. Address setting	45
11. PIPING DESIGN	51
11-1. R454B Piping material	51
11-2. Piping Design	51
11-3. Refrigerant charging calculation	59
12. OUTDOOR INSTALLATION	60
12-1. Requirement on installation site	60
12-2. Spacing	62
12-3. Piping direction	63
13. PART LOAD CAPACITY CHART	64

Outdoor model			MXZ-SM36NL-U1			MXZ-SM48NL-U1		
Indoor model			Non-Ducted	Mix	Ducted	Non-Ducted	Mix	Ducted
Cooling	Capacity Rated ¹	Btu/h	36,000	36,000	36,000	48,000	48,000	48,000
	Rated power input	W	2,555	2,990	3,600	4,000	4,710	5,715
	Current input (208/230 V)	A	12.5/11.3	14.6/13.2	17.6/15.9	19.5/17.6	23.0/20.8	27.9/25.2
	EER2	Btu/h/W	14.10	12.05	10.00	12.00	10.20	8.40
	SEER2	-	23.00	20.60	18.20	23.00	20.00	17.00
Heating	Capacity Rated 47°F ²	Btu/h	41,000	41,000	41,000	50,000	50,000	50,000
	Capacity Max. 17°F ³	Btu/h	36,000	36,000	36,000	43,000	43,000	43,000
	Capacity Max. 5°F	Btu/h	29,000	29,000	29,000	35,400	35,400	35,400
	Rated power input 47°F ²	W	3,005	3,395	3,880	3,665	4,140	4,730
	Current input (208/230 V)	A	14.7/13.3	16.6/15.0	18.9/17.1	17.9/16.2	20.2/18.3	23.1/20.9
	COP 47°F ²	W/W	4.00	3.54	3.10	4.00	3.54	3.10
	HSPFIV / V	-	11.00/8.75	10.50/8.75	10.00/8.75	10.40/8.35	9.95/8.00	9.50/7.70
Power source			1-phase 208/230 V, 60 Hz					
Breaker size		(ODU only/ODU+IDU)	A					
Minimum circuit ampacity		(ODU only/ODU+IDU)	A					
Indoor unit connectable			50 to 130% of outdoor unit capacity					
Total capacity			50 to 130% of outdoor unit capacity					
Model/ Quantity ⁴		CITY MULTI	04 - 36/11			04 - 54/12		
		Branch box	06 - 36/4			06 - 36/8		
Sound pressure level (SPL) (measured in anechoic room)		dB <A>	49/53			51/54		
Refrigerant piping diameter	Liquid pipe	in (mm)	3/8 (ø9.52)					
	Gas pipe	in (mm)	5/8 (ø15.88)					
Fan ⁵	Type × Quantity		Propeller fan × 2					
	Airflow rate	m ³ /min	112					
		L/s	1,867					
		cfm	3,955					
	Control, Driving mechanism		DC control					
	Motor output	kW	0.070 × 2					
External static pressure		0						
Compressor	Type × Quantity		Twin rotary hermetic compressor x 1					
	Manufacturer		Mitsubishi Electric Corporation					
	Starting method		Inverter					
	Motor output	kW	2.7			3.4		
	Case heater	kW	0					
	Lubricant		RM68EH 79 oz. (2.3L)					
External finish			Galvanized Steel Sheet <Munsell 3Y 7.8/ 1.1>					
External dimension H × W × D		mm	1,338 × 1,050 × 330 (+25)					
		in	52-11/16 × 41-11/32 × 13 (+1)					
Protection devices	High pressure protection		High pressure switch					
	Inverter circuit (COMP./FAN)		Overcurrent detection, Overheat detection (Heat sink thermistor)					
	Compressor		Compressor thermo, Overcurrent detection, Thermal protector					
	Fan motor		Overheating/Voltage protection					
Refrigerant	Type × original charge		R454B 2 lbs. 11 oz. (1.2 kg)					
	Control		Linear Expansion Valve					
Net weight		lb (kg)	250 (113)					
Heat exchanger			Cross fin and tube					
HIC circuit (HIC: Heat Inter-Changer)			HIC circuit					
Defrosting method			Reversed refrigerant circuit					
Guaranteed operation range	Cooling	D.B.	D.B 23 to 115°F [D.B.-5 to 46°C] ^{5, *6, *7, *8}					
	Heating	W.B.	W.B. -13 to 59°F [W.B. -25 to 15°C]					

Remarks

- *1. Rating cooling conditions:
Indoor: 80°F D.B. /67 °F W.B. (26.7°C D.B./19.4°C W.B.)
Outdoor: 95°F D.B. (35.0°C D.B.)
- *2. Rating heating conditions:
Indoor: 70°F D.B. (21.1°C D.B.)
Outdoor: 47°F D.B./43°F W.B. (8.3°C D.B./6.1°C W.B.)
- *3. Heating conditions:
Indoor: 70°F D.B. (21.1°C D.B.)
Outdoor: 17°F D.B./15°F W.B. (-8.3°C D.B./-9.4°C W.B.)
- *4. It cannot be connected to mixed CITY MULTI indoor unit and branch box indoor unit.
- *5. 5 to 115°F D.B. (-15 to 46°C D.B.), when an optional Air Outlet Guide is installed. However, this condition does not apply to the indoor units listed in *6.
- *6. 50 to 115°F D.B. (10 to 46°C D.B.), when connecting PKFY-L04/06/08/12NLMU type indoor unit.
- *7. When the temperature is below 50°F D.B. (10 °C D.B.), noise could potentially occur.
- *8. When PCFY is operated in cooling at an outside temperature of 68°F D.B. (20 °C D.B.) or lower, refrigerant noise could potentially occur.

Notes:

- Due to continuing improvement, above specifications are subject to change without notice.
- See the following for unit conversion: kcal/h = kW × 860, Btu/h = kW × 3,412, cfm = m³/min × 35.31, lb = kg × 0.4536
Above specification data is subject to rounding variation.
- Refer to the indoor unit's service manual for the indoor units specifications.
- Details on foundation work, duct work, insulation work, electrical wiring, power source switch, and other items shall be referred to the Installation Manual.

Outdoor model			MXZ-SM36NLHZ-U1			MXZ-SM42NLHZ-U1			MXZ-SM48NLHZ-U1				
Indoor model			Non-Ducted	Mix	Ducted	Non-Ducted	Mix	Ducted	Non-Ducted	Mix	Ducted		
Cooling	Capacity Rated*1	Btu/h	36,000	36,000	36,000	42,000	42,000	42,000	48,000	48,000	48,000		
	Rated power input	W	2,485	2,835	3,305	3,135	3,530	4,040	3,665	4,160	4,800		
	Current input (208/230 V)	A	12.2/11.0	13.9/12.5	16.2/14.6	15.3/13.9	17.3/15.6	19.8/17.9	17.9/16.2	20.3/18.4	23.5/21.2		
	EER2	Btu/h/W	14.50	12.70	10.90	13.40	11.90	10.40	13.10	11.55	10.00		
	SEER2	-	23.00	20.35	17.70	21.50	19.50	17.50	23.00	20.50	18.00		
Heating	Capacity Rated 47°F ²	Btu/h	42,000	42,000	42,000	48,000	48,000	48,000	54,000	54,000	54,000		
	Capacity Max. 17°F ³	Btu/h	42,000	42,000	42,000	48,000	48,000	48,000	54,000	54,000	54,000		
	Capacity Max. 5°F	Btu/h	42,000	42,000	42,000	48,000	48,000	48,000	54,000	54,000	54,000		
	Capacity Max. -13°F	Btu/h	42,000	42,000	42,000	48,000	48,000	48,000	54,000	54,000	54,000		
	Rated power input 47°F ²	W	3,080	3,330	3,620	3,435	3,975	4,690	3,960	4,400	4,950		
	Current input (208/230 V)	A	15.1/13.6	16.3/14.7	17.7/16.0	16.8/15.2	19.4/17.6	22.9/20.7	19.4/17.5	21.5/19.5	24.2/21.9		
	COP 47°F ²	W/W	4.00	3.70	3.40	4.10	3.54	3.00	4.00	3.60	3.20		
	HSPFIV / V	-	12.00/10.65	11.25/10.20	10.50/9.80	11.10/9.80	10.55/9.30	10.00/8.80	11.50/9.80	10.75/9.05	10.00/8.30		
Power source	1-phase 208/230 V, 60 Hz												
Breaker size	(ODU only/ODU+IDU)	A	40/45										
Minimum circuit ampacity	(ODU only/ODU+IDU)	A	45/51										
Indoor unit connectable	Total capacity	50 to 130% of outdoor unit capacity											
	Model/ Quantity ⁴	CITY MULTI	04 - 36/11			04 - 54/12			04 - 54/12				
Sound pressure level (SPL) (measured in anechoic room)	dB <A>	Branch box	06 - 36/4			06 - 36/5			06 - 36/8				
			49/53			50/54			51/54				
Refrigerant piping diameter	Liquid pipe	in (mm)	3/8 (ø9.52)										
	Gas pipe	in (mm)	5/8 (ø15.88)										
Fan ⁵	Type × Quantity	Propeller fan × 2											
	Airflow rate	m ³ /min	108										
		L/s	1,800										
		cfm	3,810										
	Control, Driving mechanism	DC control											
	Motor output	kW	0.200 × 2										
External static pressure	0												
Compressor	Type × Quantity	Twin rotary hermetic compressor × 1											
	Manufacturer	Mitsubishi Electric Corporation											
	Starting method	Inverter											
	Motor output	kW	2.7			3.0			3.2				
	Case heater	kW	0										
	Lubricant	RM68EH 79 oz. (2.3L)											
External finish	Galvanized Steel Sheet <Munsell 3Y 7.8/ 1.1>												
External dimension H × W × D	mm	1,338 × 1,050 × 330 (+25)											
	in	52-11/16 × 41-11/32 × 13 (+1)											
Protection devices	High pressure protection	High pressure switch											
	Inverter circuit (COMP./FAN)	Overcurrent detection, Overheat detection (Heat sink thermistor)											
	Compressor	Compressor thermo, Overcurrent detection, Thermal protector											
	Fan motor	Overheating/Voltage protection											
Refrigerant	Type × original charge	R454B 6 lbs. 10 oz. (3.0kg)											
	Control	Linear Expansion Valve											
Net weight	lb (kg)	283 (128)											
Heat exchanger	Cross fin and tube												
HIC circuit (HIC: Heat Inter-Changer)	HIC circuit												
Defrosting method	Reversed refrigerant circuit												
Guaranteed operation range	Cooling	D.B.	D.B 23 to 115°F [D.B.-5 to 46°C] ^{5, 6, 7, 8}										
	Heating	W.B.	W.B. -13 to 59°F [W.B. -25 to 15°C]										

Remarks

- *1. Rating cooling conditions:
Indoor: 80°F D.B. /67 °F W.B. (26.7°C D.B./19.4°C W.B.)
Outdoor: 95°F D.B. (35.0°C D.B.)
- *2. Rating heating conditions:
Indoor: 70°F D.B. (21.1°C D.B.)
Outdoor: 47°F D.B./43°F W.B. (8.3°C D.B./6.1°C W.B.)
- *3. Heating conditions:
Indoor: 70°F D.B. (21.1°C D.B.)
Outdoor: 17°F D.B./15°F W.B. (-8.3°C D.B./-9.4°C W.B.)
- *4. It cannot be connected to mixed CITY MULTI indoor unit and branch box indoor unit.
- *5. 5 to 115°F D.B. (-15 to 46°C D.B.), when an optional Air Outlet Guide is installed. However, this condition does not apply to the indoor units listed in *6.
- *6. 50 to 115°F D.B. (10 to 46°C D.B.), when connecting PKFY-L04/06/08/12NLMU type indoor unit.
- *7. When the temperature is below 50°F D.B. (10 °C D.B.), noise could potentially occur.
- *8. When PCFY is operated in cooling at an outside temperature of 68°F D.B. (20 °C D.B.) or lower, refrigerant noise could potentially occur.

Notes:

- Due to continuing improvement, above specifications are subject to change without notice.
- See the following for unit conversion: kcal/h = kW × 860, Btu/h = kW × 3,412, cfm = m³/min × 35.31, lb = kg/0.4536
Above specification data is subject to rounding variation.
- Refer to the indoor unit's service manual for the indoor units specifications.
- Details on foundation work, duct work, insulation work, electrical wiring, power source switch, and other items shall be referred to the Installation Manual.

Outdoor model			MXZ-SM60NL-U1		
Indoor model			Non-Ducted	Mix	Ducted
Cooling	Capacity Rated ^{*1}	Btu/h	60,000	60,000	60,000
	Rated power input	W	5,000	5,610	6,385
	Current input (208/230 V)	A	24.5/22.2	27.5/24.9	31.3/28.3
	EER2	Btu/h/W	12.00	10.70	9.40
	SEER2	-	20.00	18.20	16.40
Heating	Capacity Rated 47°F ²	Btu/h	66,000	66,000	66,000
	Capacity Max. 17°F ³	Btu/h	65,000	65,000	65,000
	Capacity Max. 5°F	Btu/h	46,500	46,500	46,500
	Rated power input 47°F ²	W	4,720	5,230	5,865
	Current input (208/230 V)	A	23.1/20.9	25.6/23.2	28.7/26.0
	COP 47°F ²	W/W	4.10	3.70	3.30
	HSPFIV / V	-	10.50/8.65	10.00/8.05	9.50/7.45
Power source			1-phase 208/230 V, 60 Hz		
Breaker size		(ODU only/ODU+IDU) A	40/50		
Minimum circuit ampacity		(ODU only/ODU+IDU) A	45/55		
Indoor unit connectable	Total capacity		50 to 130% of outdoor unit capacity		
	Model/ Quantity ⁴		CITY MULTI	04 - 72 / 12	
		Branch box	06 - 36 / 8		
Sound pressure level (SPL) (measured in anechoic room)			dB <A>		
			58/59		
Refrigerant piping diameter	Liquid pipe	in (mm)	3/8 (ø9.52)		
	Gas pipe	in (mm)	3/4 (ø19.05)		
Fan ⁵	Type × Quantity		Propeller fan × 2		
	Airflow rate	m ³ /min	141		
		L/s	2,350		
		cfm	4,975		
	Control, Driving mechanism		DC control		
	Motor output	kW	0.200 × 2		
External static pressure		0			
Compressor	Type × Quantity		Twin rotary hermetic compressor × 1		
	Manufacturer		Mitsubishi Electric Corporation		
	Starting method		Inverter		
	Motor output	kW	4.1		
	Case heater	kW	0		
	Lubricant		RM68EH 79 oz. (2.3L)		
External finish			Galvanized Steel Sheet <Munsell 3Y 7.8/ 1.1>		
External dimension H × W × D		mm	1,338 × 1,050 × 330 (+25)		
		in	52-11/16 × 41-11/32 × 13 (+1)		
Protection devices	High pressure protection		High pressure switch		
	Inverter circuit (COMP./FAN)		Overcurrent detection, Overheat detection(Heat sink thermistor)		
	Compressor		Compressor thermo, Overcurrent detection, Thermal protector		
	Fan motor		Overheating/Voltage protection		
Refrigerant	Type × original charge		R454B 6 lbs. 10 oz. (3.0kg)		
	Control		Linear Expansion Valve		
Net weight		lb (kg)	278 (126)		
Heat exchanger			Cross fin and tube		
HIC circuit (HIC: Heat Inter-Changer)			HIC circuit		
Defrosting method			Reversed refrigerant circuit		
Guaranteed operation range	Cooling	D.B.	D.B 23 to 115°F [D.B.-5 to 46°C] ^{*5, *6, *7, *8}		
	Heating	W.B.	W.B. -13 to 59°F [W.B. -25 to 15°C]		

Remarks

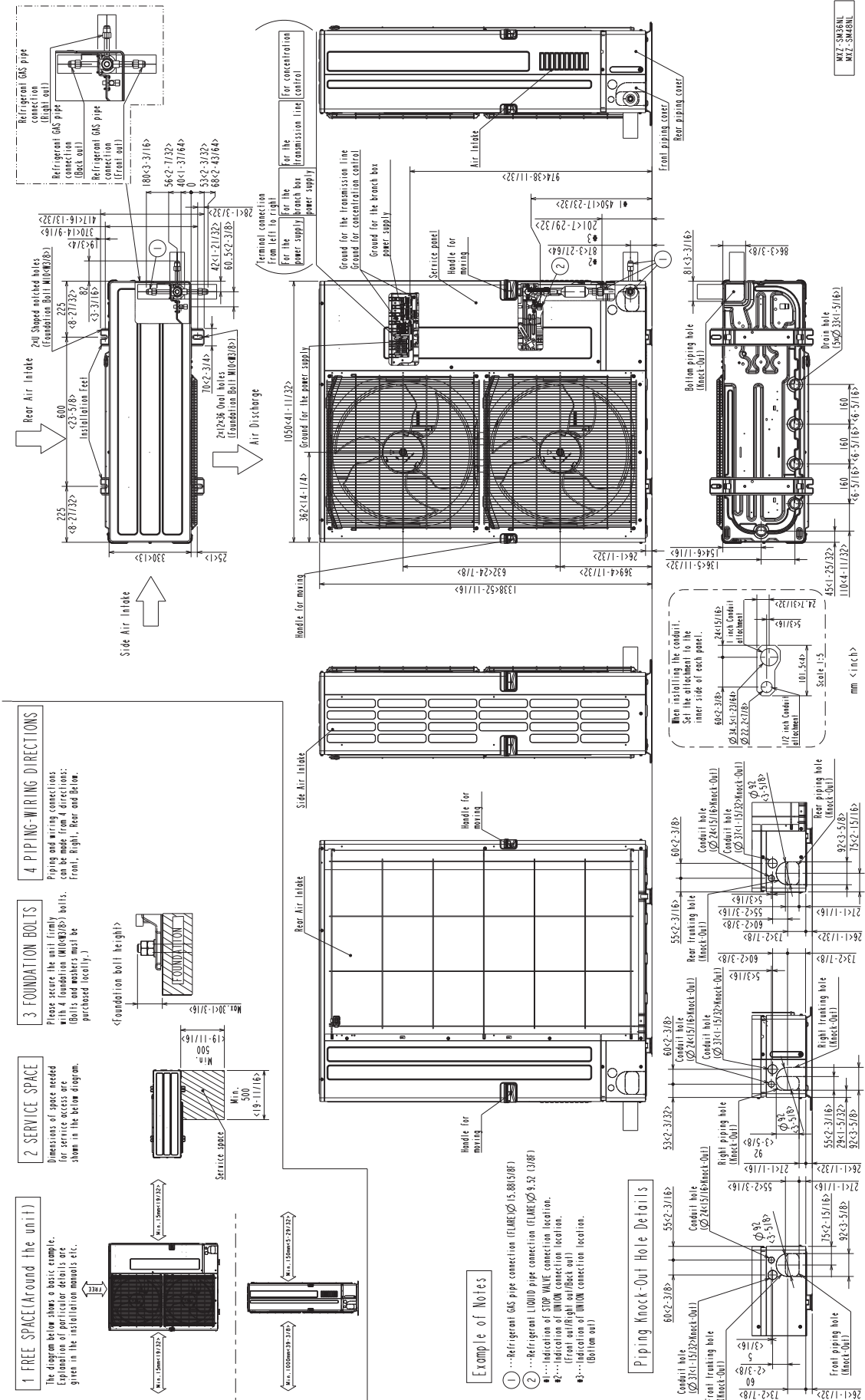
- *1. Rating cooling conditions:
Indoor: 80°F D.B. /67 °F W.B. (26.7°C D.B./19.4°C W.B.)
Outdoor: 95°F D.B. (35.0°C D.B.)
- *2. Rating heating conditions:
Indoor: 70°F D.B. (21.1°C D.B.)
Outdoor: 47°F D.B./43°F W.B. (8.3°C D.B./6.1°C W.B.)
- *3. Heating conditions:
Indoor: 70°F D.B. (21.1°C D.B.)
Outdoor: 17°F D.B./15°F W.B. (-8.3°C D.B./-9.4°C W.B.)
- *4. It cannot be connected to mixed CITY MULTI indoor unit and branch box indoor unit.
- *5. 5 to 115°F D.B. (-15 to 46°C D.B.), when an optional Air Outlet Guide is installed. However, this condition does not apply to the indoor units listed in *6.
- *6. 50 to 115°F D.B. (10 to 46°C D.B.), when connecting PKFY-L04/06/08/12NLMU type indoor unit.
- *7. When the temperature is below 50°F D.B. (10 °C D.B.), noise could potentially occur.
- *8. When PCFY is operated in cooling at an outside temperature of 68°F D.B. (20 °C D.B.) or lower, refrigerant noise could potentially occur.

Note:

- Due to continuing improvement, above specifications are subject to change without notice.
- See the following for unit conversion: kcal/h = kW × 860, Btu/h = kW × 3,412, cfm = m³/min × 35.31, lb = kg/0.4536
Above specification data is subject to rounding variation.
- Refer to the indoor unit's service manual for the indoor units specifications.
- Details on foundation work, duct work, insulation work, electrical wiring, power source switch, and other items shall be referred to the Installation Manual.

MXZ-SM36, 48NL-U1

Unit: mm[in.]

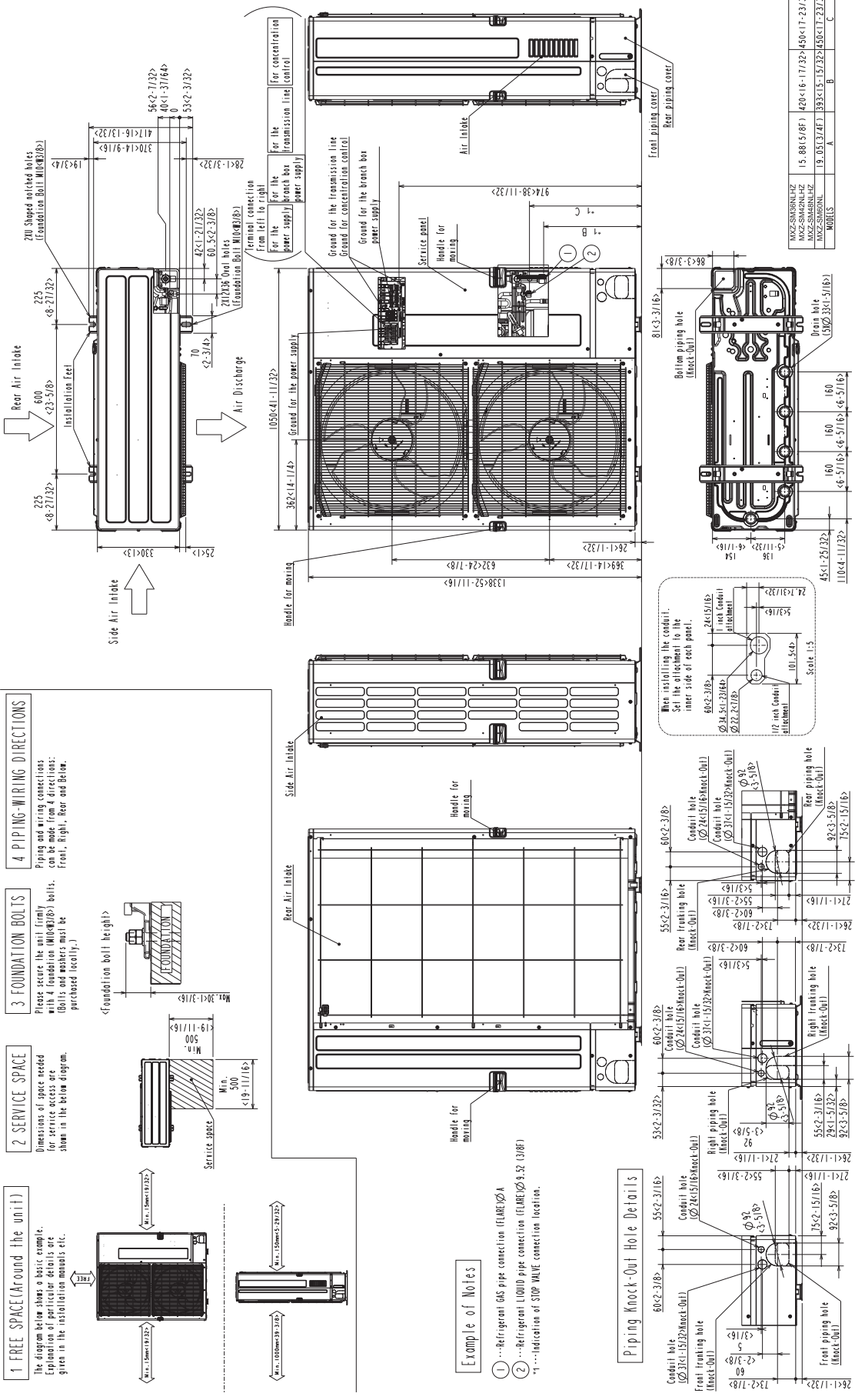


MXZ-SM-NL-U1, MXZ-SM-NLHZ-U1

MXZ-SM-NL-U1, MXZ-SM-NLHZ-U1

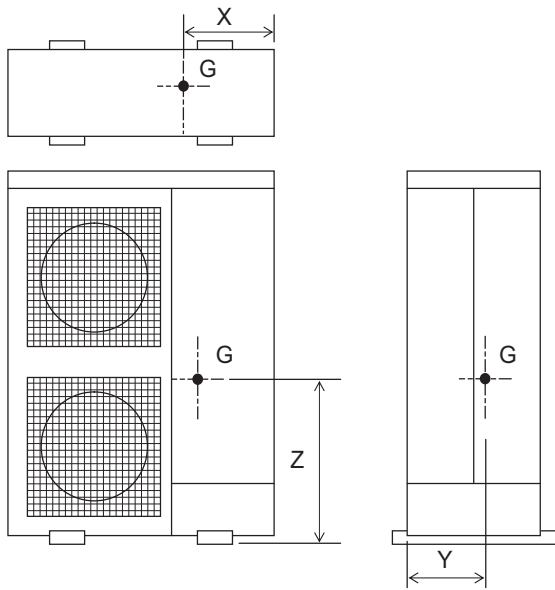
MXZ-SM60NL-U1
MXZ-SM36, 42, 48NLHZ-U1

Unit: mm[in.]



MXZ-SM36, 48, 60NL-U1
 MXZ-SM36, 42, 48NLHZ-U1

Unit: mm[in.]

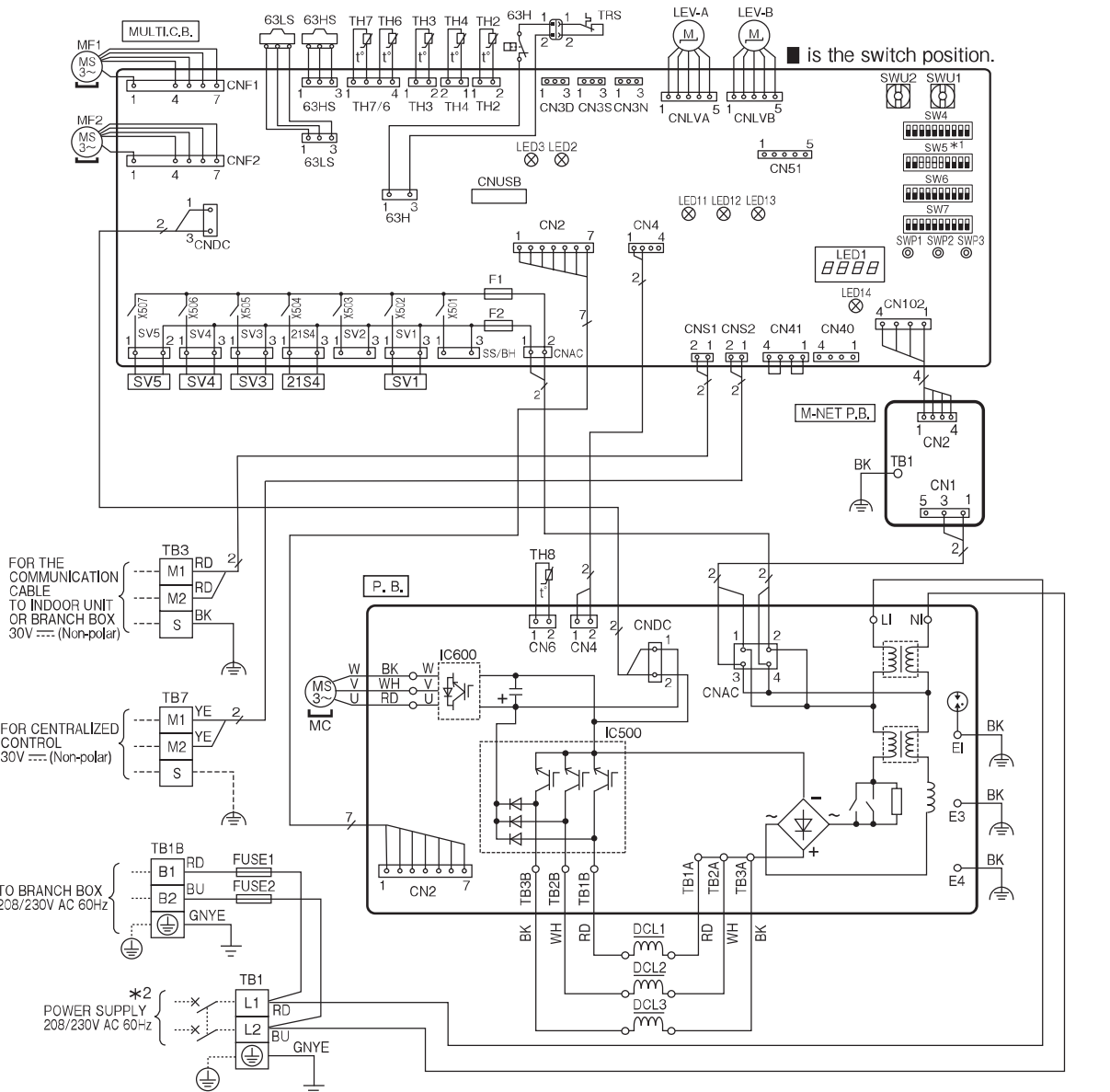


Model	X	Y	Z
MXZ-SM36, 48NL-U1	370 [14-9/16]	160 [6-19/64]	565 [22-7/32]
MXZ-SM60NL-U1	410 [16-9/64]	175 [6-57/64]	560 [22-3/64]
MXZ-SM36, 42, 48NLHZ-U1	380 [15]	165 [6-1/2]	575 [22-41/64]

MXZ-SM-NL-U1, MXZ-SM-NLHZ-U1

MXZ-SM-NL-U1, MXZ-SM-NLHZ-U1

MXZ-SM36, 48NL-U1



[LEGEND]

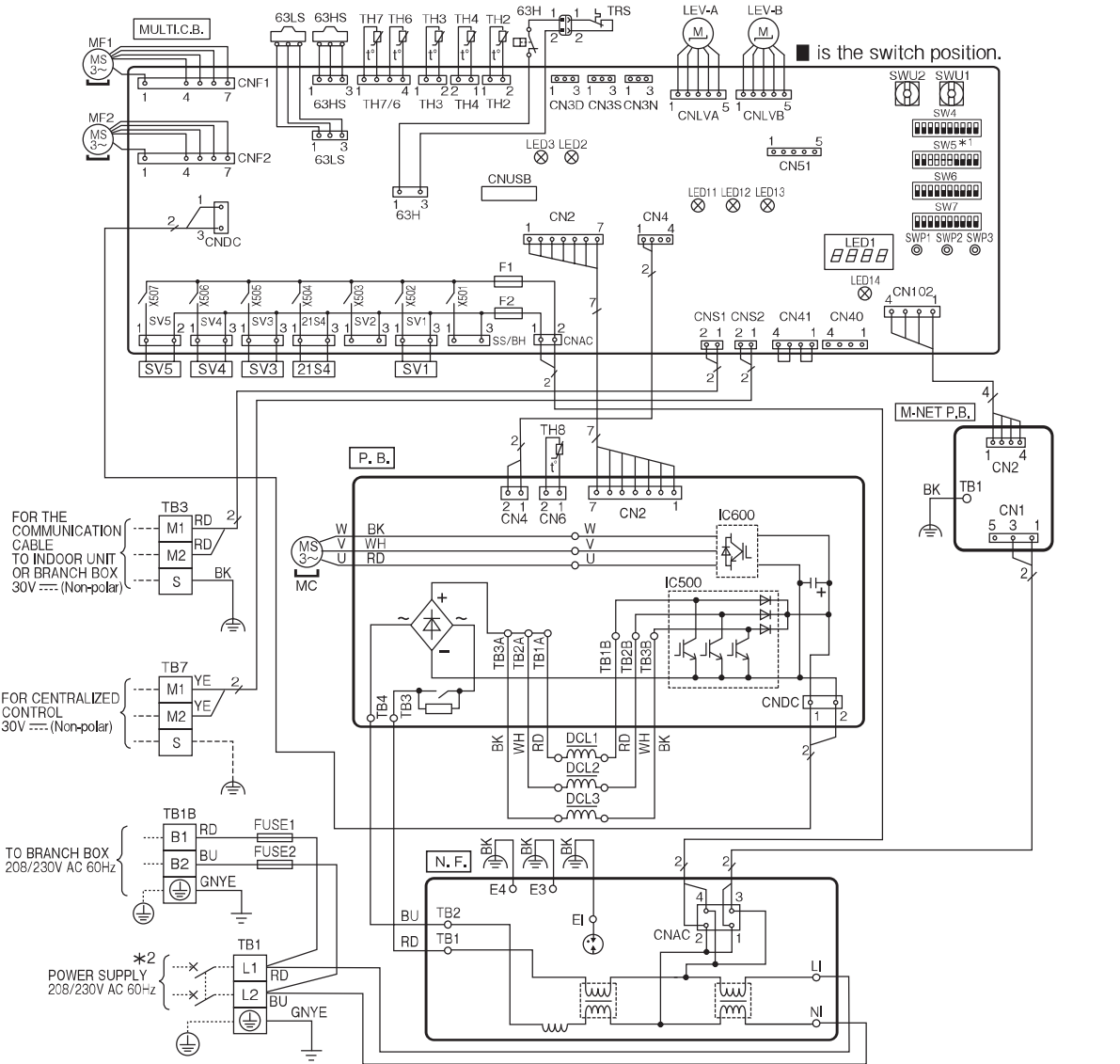
SYMBOL	NAME	SYMBOL	NAME	SYMBOL	NAME
TB1	Terminal Block (Power Supply)	TH6	Thermistor (Suction Pipe)	SWU1	Switch (Unit Address Selection, ones digit)
TB1B	Terminal Block (Branch box)	TH7	Thermistor (Ambient)	SWU2	Switch (Unit Address Selection, tens digit)
TB3	Terminal Block (Indoor/Outdoor, Branch box/Outdoor Transmission Line)	TH8	Thermistor (Heat Sink)	SWP3	Switch (Function Selection)
TB7	Terminal Block (Centralized Control Transmission Line)	TRS	Thermal Protector	SS/BH	Connector (Connection for Option)
FUSE1, FUSE2	Fuse (T20AL250V)	LEV-A, LEV-B	Linear Expansion Valve	CN3D	Connector (Connection for Option)
MC	Motor for Compressor	DCL1, DCL2, DCL3	Reactor	CN3S	Connector (Connection for Option)
MF1, MF2	Fan Motor	P.B.	Power Circuit Board	CN3N	Connector (Connection for Option)
21S4	Solenoid Valve Coil (4-Way Valve)	U/V/W	Connection Terminal (U/V/W-Phase)	CN51	Connector (Connection for Option)
63H	High Pressure Switch	LI	Connection Terminal (L1-Phase)	LED1	LED (Operation Inspection Display)
63HS	High Pressure Sensor	NI	Connection Terminal (L2-Phase)	LED11	Normal operation (Lit) /IC Error (Blink)
63LS	Low Pressure Sensor	TB1A, TB2A, TB3A	Connection Terminal (Reactor)	LED12	Normal operation (Lit) Error (Blink) for central control transmission
SV1	Solenoid Valve Coil (Bypass Valve)	TB1B, TB2B, TB3B	Connection Terminal (Reactor)	LED13	Normal operation (Lit) Error (Blink) for indoor/outdoor transmission
SV3	Solenoid Valve Coil (Bypass Valve)	IC500	Converter	LED14	LED (Power Supply to Main Microcomputer)
SV4	Solenoid Valve Coil (Liquid Shut-off Valve)	IC600	Inverter	F1, F2	Fuse (T6.3AL250V)
SV5	Solenoid Valve Coil (Gas Shut-off Valve)	E1, E3, E4	Connection Terminal (Electrical Parts Box)	X501~X507	Relay
TH2	Thermistor (HIC Pipe)	MULTI.C.B	Multi Controller Circuit Board	CNUSB	USB TYPE A
TH3	Thermistor (Outdoor Liquid Pipe)	SW4	Switch (Display Selection)	CNUSB	USB TYPE A
TH4	Thermistor (Compressor)	SW5	Switch (Model Selection)	M-NET P.B.	M-NET Power Circuit Board
		SW6	Switch (Function Selection/Test Run)	TB1	Connection Terminal (Electrical Parts Box)
		SW7	Switch (Function Selection)		

*1 MODEL SELECTION
The black square (■) indicates a switch position.

MODEL	SW5	MODEL	SW5
MXZ-SM36NL	ON OFF 3 4 5 6	MXZ-SM48NL	ON OFF 3 4 5 6

*2 Use copper supply wires.
Utiliser des fils d'alimentation en cuivre.

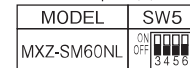
MXZ-SM60NL-U1



[LEGEND]

SYMBOL	NAME	SYMBOL	NAME	SYMBOL	NAME
TB1	Terminal Block (Power Supply)	TH7	Thermistor (Ambient)	SW7	Switch (Function Selection)
TB1B	Terminal Block (Branch box)	TH8	Thermistor (Heat Sink)	SWU1	Switch (Unit Address Selection, ones digit)
TB3	Terminal Block (Indoor/Outdoor, Branch box/Outdoor Transmission Line)	TRS	Thermal Protector	SWU2	Switch (Unit Address Selection, tens digit)
TB7	Terminal Block (Centralized Control Transmission Line)	LEV-A, LEV-B	Linear Expansion Valve	SWP3	Switch (Function Selection)
FUSE1, FUSE2	Fuse (T20AL250V)	DCL1, DCL2, DCL3	Reactor	SS/BH	Connector (Connection for Option)
MC	Motor for Compressor	N.F.	Noise Filter Board	CN3D	Connector (Connection for Option)
MF1, MF2	Fan Motor	LI	Connection Terminal (L1-Phase)	CN3S	Connector (Connection for Option)
21S4	Solenoid Valve Coil (4-Way Valve)	NI	Connection Terminal (L2-Phase)	CN3N	Connector (Connection for Option)
63H	High Pressure Switch	TB1, TB2	Connection Terminal (Power Circuit Board)	CN51	Connector (Connection for Option)
63HS	High Pressure Sensor	EI, E3, E4	Connection Terminal (Electrical Parts Box)	LED1	LED (Operation Inspection Display)
63LS	Low Pressure Sensor	P.B.	Power Circuit Board	LED11	Normal operation (Lit) /IC Error (Blink)
SV1	Solenoid Valve Coil (Bypass Valve)	TB3, TB4	Connection Terminal (Noise Filter Board)	LED12	Normal operation (Lit) Error (Blink) for central control transmission
SV3	Solenoid Valve Coil (Bypass Valve)	U/V/W	Connection Terminal (U/V/W-Phase)	LED13	Normal operation (Lit) Error (Blink) for indoor/outdoor transmission
SV4	Solenoid Valve Coil (Liquid Shut-off Valve)	TB1A, TB2A, TB3A, TB1B, TB2B, TB3B	Connection Terminal (Reactor)	LED14	LED (Power Supply to Main Microcomputer)
SV5	Solenoid Valve Coil (Gas Shut-off Valve)	IC500	Converter	F1, F2	Fuse (T6,3AL250V)
TH2	Thermistor (HIC Pipe)	IC600	Inverter	X501~X507	Relay
TH3	Thermistor (Outdoor Liquid Pipe)	MULTI.C.B	Multi Controller Circuit Board	CNUSB	USB TYPE A
TH4	Thermistor (Compressor)	SW4	Switch (Display Selection)	M-NET P.B.	M-NET Power Circuit Board
TH6	Thermistor (Suction Pipe)	SW5	Switch (Model Selection)	TB1	Connection Terminal (Electrical Parts Box)
		SW6	Switch (Function Selection/Test Run)		

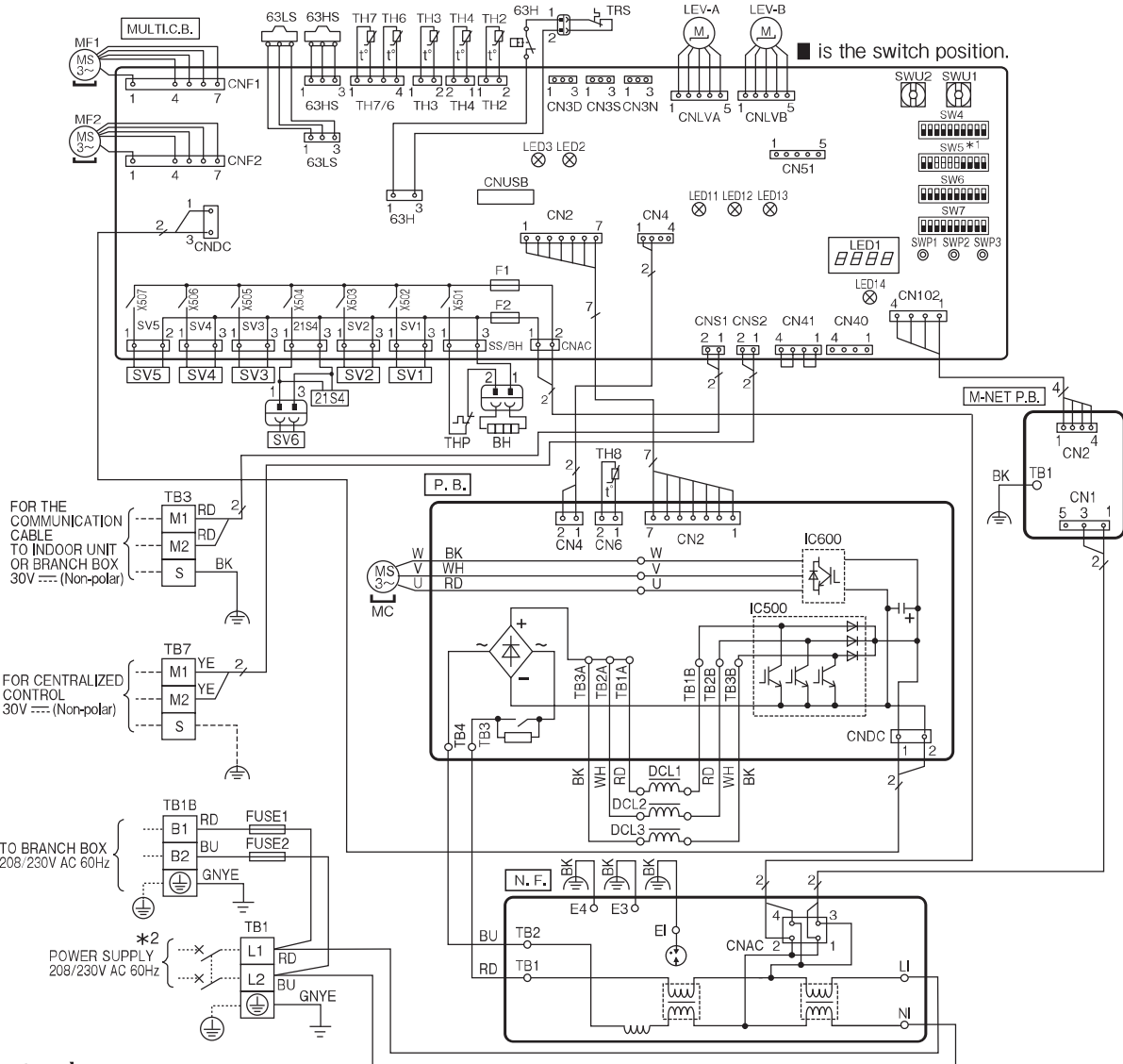
*1 MODEL SELECTION
The black square (■) indicates a switch position.



*2 Use copper supply wires.
Utiliser des fils d'alimentation en cuivre.

MXZ-SM-NL-U1, MXZ-SM-NLH2-U1

MXZ-SM36, 42, 48NLHZ-U1



[LEGEND]

SYMBOL	NAME	SYMBOL	NAME	SYMBOL	NAME
TB1	Terminal Block (Power Supply)	TH4	Thermistor (Compressor)	SW6	Switch (Function Selection/Test Run)
TB1B	Terminal Block (Branch box)	TH6	Thermistor (Suction Pipe)	SW7	Switch (Function Selection)
TB3	Terminal Block (Indoor/Outdoor, Branch box/Outdoor Transmission Line)	TH7	Thermistor (Ambient)	SWU1	Switch (Unit Address Selection, ones digit)
TB7	Terminal Block (Centralized Control Transmission Line)	TH8	Thermistor (Heat Sink)	SWU2	Switch (Unit Address Selection, tens digit)
FUSE1, FUSE2	Fuse (T20AL250V)	TRS	Thermal Protector <Compressor>	SWP3	Switch (Function Selection)
MC	Motor for Compressor	LEV-A, LEV-B	Linear Expansion Valve	SS/BH	Base Heater
MF1, MF2	Fan Motor	DCL1, DCL2, DCL3	Reactor	CN3D	Connector (Connection for Option)
21S4	Solenoid Valve Coil (4-Way Valve)	N.F.	Noise Filter Board	CN3S	Connector (Connection for Option)
63H	High Pressure Switch	LI	Connection Terminal (L1-Phase)	CN3N	Connector (Connection for Option)
63HS	High Pressure Sensor	NI	Connection Terminal (L2-Phase)	CN51	Connector (Connection for Option)
63LS	Low Pressure Sensor	TB1, TB2	Connection Terminal (Power Circuit Board)	LED1	LED (Operation Inspection Display)
SV1	Solenoid Valve Coil (Bypass Valve)	EI, E3, E4	Connection Terminal (Electrical Parts Box)	LED11	Normal operation (Lit) / IC Error (Blink)
SV2	Solenoid Valve Coil (Switching Valve)	P.B.	Power Circuit Board	LED12	Normal operation (Lit) Error (Blink) for central control transmission
SV3	Solenoid Valve Coil (Bypass Valve)	TB3, TB4	Connection Terminal (Noise Filter Board)	LED13	Normal operation (Lit) Error (Blink) for indoor/outdoor transmission
SV4	Solenoid Valve Coil (Liquid Shut-off Valve)	U/V/W	Connection Terminal (U/V/W-Phase)	LED14	LED (Power Supply to Main Microcomputer)
SV5	Solenoid Valve Coil (Gas Shut-off Valve)	TB1A, TB2A, TB3A	Connection Terminal (Reactor)	F1, F2	Fuse (T6,3AL250V)
SV6	Solenoid Valve Coil (Injection)	TB1B, TB2B, TB3B	Connection Terminal (Reactor)	X501~X507	Relay
BH	Base Heater	IC500	Converter	CNUSB	USB TYPE A
THP	Thermal Protector <Base Heater>	IC600	Inverter	M-NET P.B.	M-NET Power Circuit Board
TH2	Thermistor (H/C Pipe)	MULTI.C.B	Multi Controller Circuit Board	TB1	Connection Terminal (Electrical Parts Box)
TH3	Thermistor (Outdoor Liquid Pipe)	SW4	Switch (Display Selection)		
		SW5	Switch (Model Selection)		

*1 MODEL SELECTION

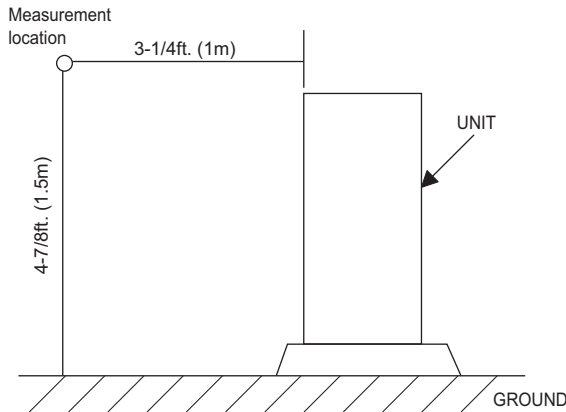
The black square (■) indicates a switch position.

MODEL	SW5	MODEL	SW5
MXZ-SM36NLHZ	ON OFF 3 4 5 6	MXZ-SM48NLHZ	ON OFF 3 4 5 6
MXZ-SM42NLHZ	ON OFF 3 4 5 6		

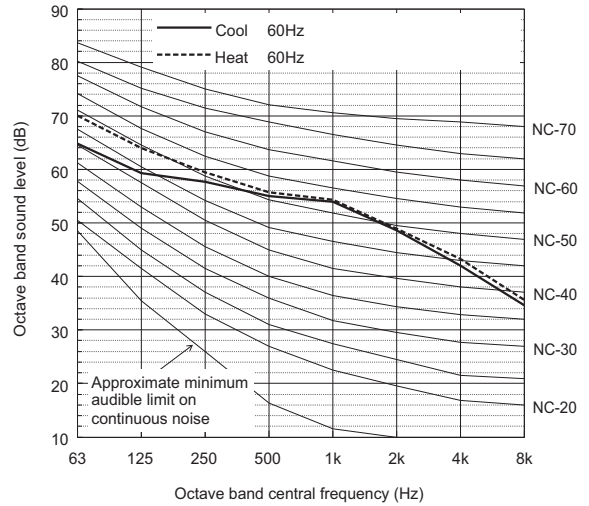
*2 Use copper supply wires.
Utiliser des fils d'alimentation en cuivre.

MXZ-SM-NL-U1, MXZ-SM-NLHZ-U1

Measurement condition
MXZ-SM36, 48, 60NL-U1
MXZ-SM36, 42, 48NLHZ-U1

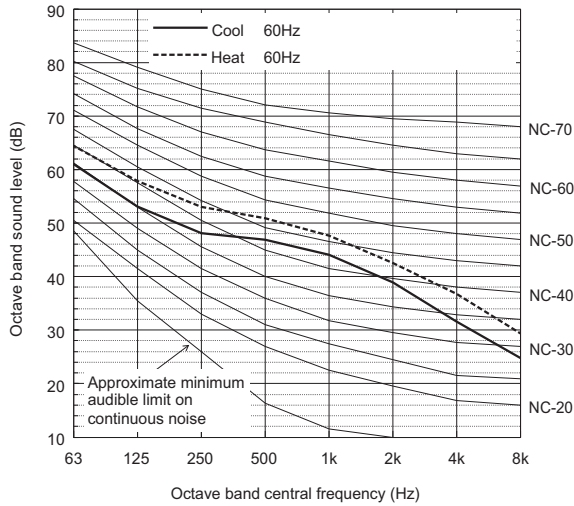


Sound level of MXZ-SM60NL-U1



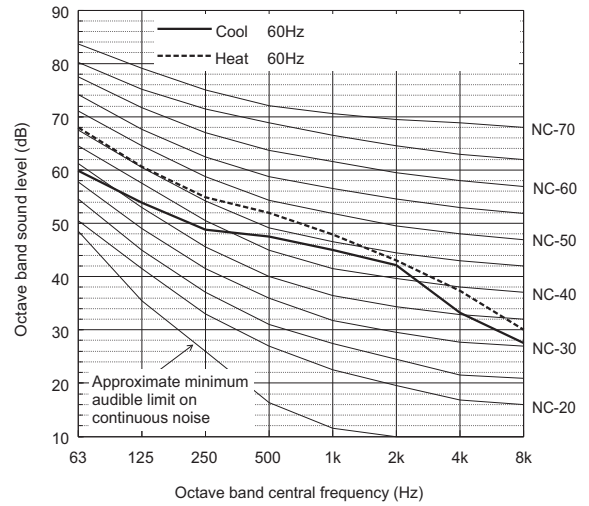
		63	125	250	500	1k	2k	4k	8k	dB(A)
Standard Cooling	60Hz	64.9	59.4	57.7	55.1	54.0	48.7	42.1	34.7	58.0
Standard Heating	60Hz	70.1	64.0	59.5	55.8	54.4	49.0	43.3	35.7	59.0

Sound level of MXZ-SM36NL-U1, MXZ-SM36NLHZ-U1



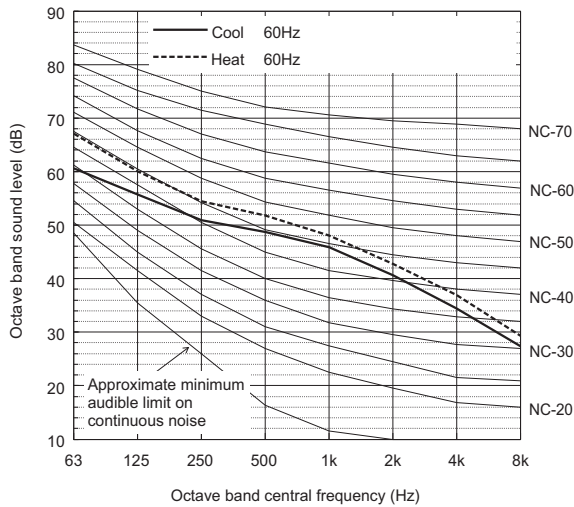
		63	125	250	500	1k	2k	4k	8k	dB(A)
Standard Cooling	60Hz	61.1	53.1	48.2	46.9	44.1	39.0	31.6	24.9	49.0
Standard Heating	60Hz	64.5	57.9	53.1	51.0	47.7	42.6	36.8	29.4	53.0

Sound level of MXZ-SM42NLHZ-U1



		63	125	250	500	1k	2k	4k	8k	dB(A)
Standard Cooling	60Hz	59.7	53.8	48.7	47.4	44.9	42.1	33.2	27.5	50.0
Standard Heating	60Hz	67.8	60.5	54.8	51.9	47.8	43.0	37.3	30.0	54.0

Sound level of MXZ-SM48NL-U1, MXZ-SM48NLHZ-U1

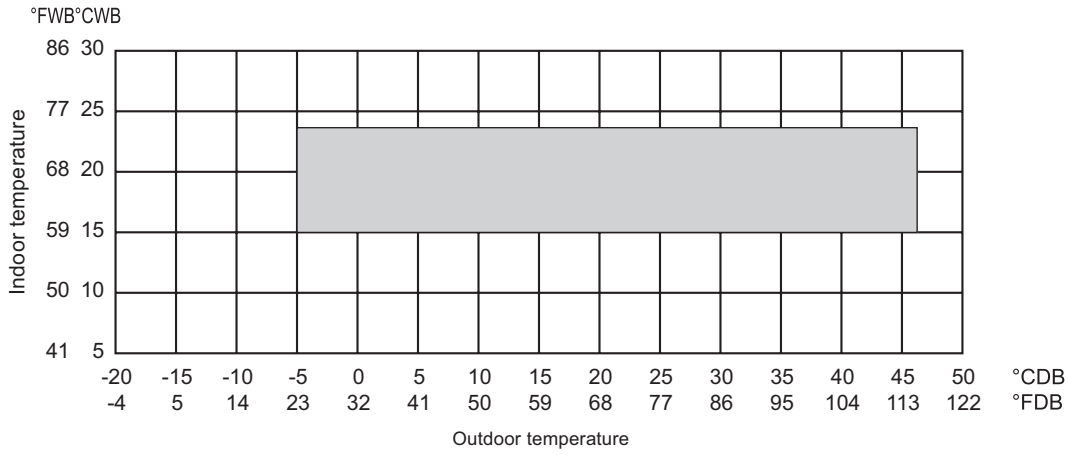


		63	125	250	500	1k	2k	4k	8k	dB(A)
Standard Cooling	60Hz	60.7	55.9	51.0	48.8	46.0	40.7	34.5	27.5	51.0
Standard Heating	60Hz	67.3	60.2	54.6	51.9	48.2	42.9	37.1	29.4	54.0

MXZ-SM-7NL-U1, MXZ-SM-7NLHZ-U1

MXZ-SM-NL-U1, MXZ-SM-NLHZ-U1

• Cooling

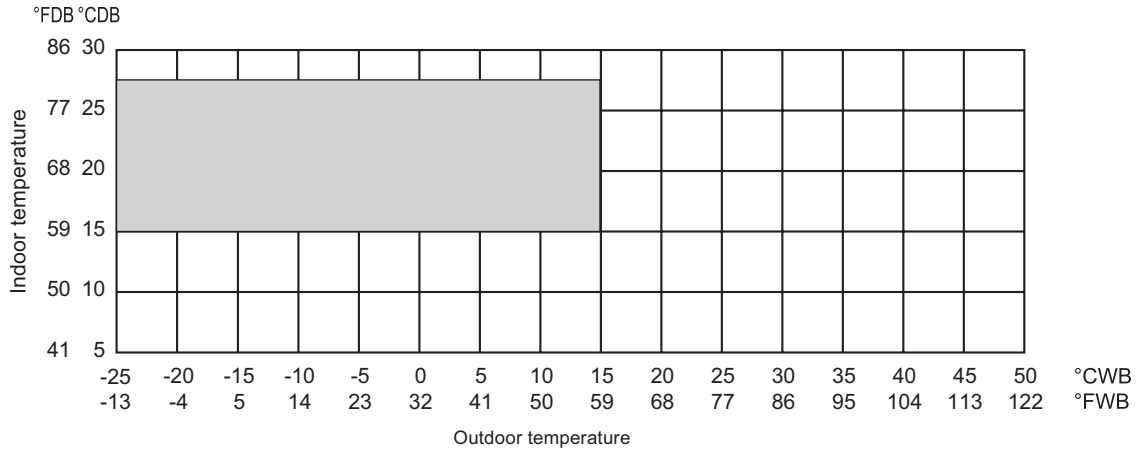


*50 to 115 °F [10 to 46 °C] D.B.: When connecting PKFY-L04/06/08/12NLMU type indoor unit.

*5 to 115 °F (-15 to 46 °C) D.B.: When using an optional front wind baffle.

However, this condition does not apply to the indoor units listed in the above note.

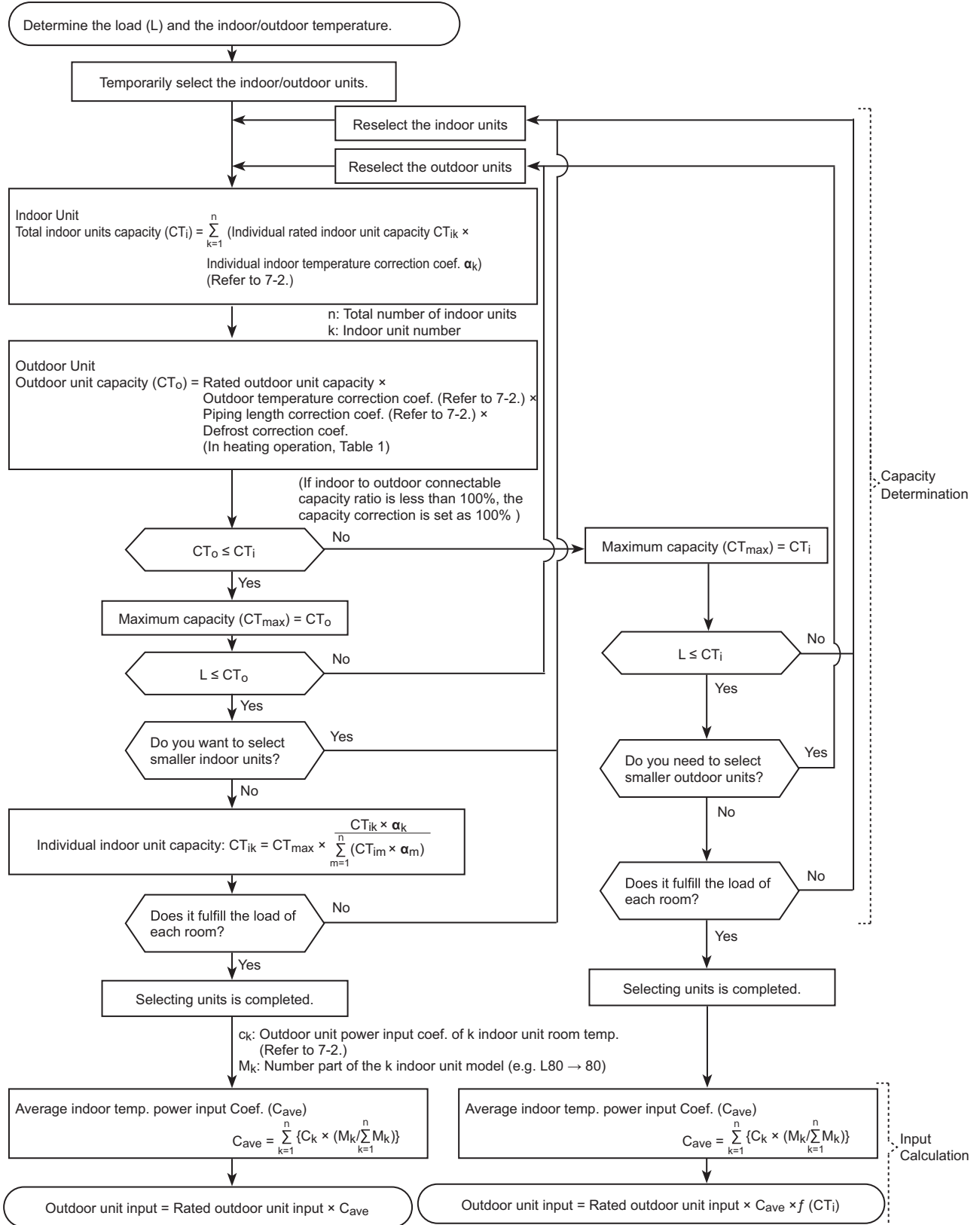
• Heating



7-1. Selection of indoor and outdoor units

■ How to determine the capacity when less than or equal to 100% indoor model size units are connected in total:

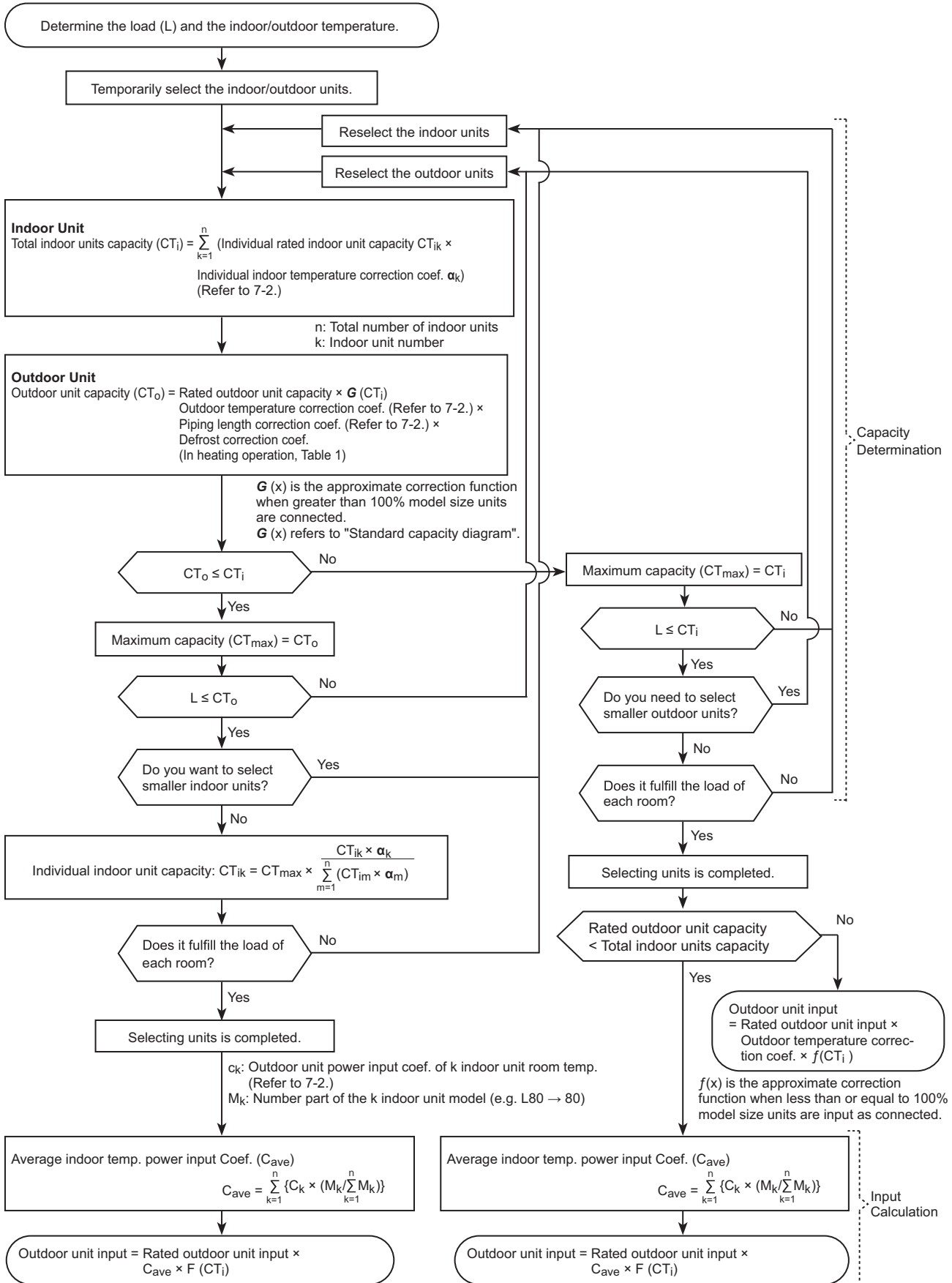
The purpose of this flow chart is to select the indoor and outdoor units. For other purposes, this flow chart is intended only for reference.



$f(x)$ is the approximate correction function when less than or equal to 100% model size units are input as connected.

■ How to determine the capacity when greater than 100% indoor model size units are connected in total

The purpose of this flow chart is to select the indoor and outdoor units. For other purposes, this flow chart is intended only for reference.



F (x) is the approximate correction function when greater than 100% model size units are input as connected.

MXZ-SM-NL-U1, MXZ-SM-NLHZ-U1

<Cooling>

Design condition		
Outdoor dry bulb temperature	98.6°F (37.0°C)	
Total cooling load	30.3 kBtu/h	
Room 1	Indoor dry bulb temperature	80.6°F (27.0°C)
	Indoor wet bulb temperature	68.0°F (20.0°C)
	Cooling load	13.6 kBtu/h
Room 2	Indoor dry bulb temperature	75.2°F (24.0°C)
	Indoor wet bulb temperature	66.2°F (19.0°C)
	Cooling load	16.7 kBtu/h
Other	Indoor/Outdoor piping equivalent length	250 ft

Capacity of indoor unit

• CITY MULTI series

Model class of indoor unit	04	05	06	08	12	15	18	24	27	30	36	48	54	72
Model capacity (kBtu/h)	4.0	5.0	6.0	8.0	12.0	15.0	18.0	24.0	27.0	30.0	36.0	48.0	54.0	72.0

• M, S, P series

Model name	Capacity class							
	06	09	12	15	18	24	30	36
SVZ-AP	-	-	11.4	-	18.0	22.8	27.0	33.0
SLZ-AF	-	9.0	12.0	14.1	-	-	-	-
SEZ-AD	-	8.9	12.0	15.0	18.0	-	-	-
MFZ-KX	-	9.0	12.0	15.0	18.0	-	-	-
MLZ-KX	6.0	9.0	11.3	-	16.4	-	-	-
MSZ-FX	6.0	9.0	12.0	15.0	17.2	-	-	-
MSZ-GX	6.0	9.0	12.0	14.0	18.0	22.4	-	-
PEAD-AA	-	9.0	12.0	15.0	18.0	21.2	27.0	36.0
PLA-AE	-	-	12.0	-	18.0	24.0	30.0	36.0
PAA	-	-	-	-	18.0	23.6	31.0	32.0

1. Cooling calculation

• Tentative selection of indoor units

Room1: PEFY-L15 15.0 kBtu/h (Rated)

Room2: PEFY-L18 18.0 kBtu/h (Rated)

In this case, the total capacity is 33.0. (15.0 + 18.0 = 33.0)

• Tentative selection of outdoor unit

Proper outdoor unit in this case is SM36NL as the total capacity of the indoor units is 33.0.

SM36NL 36.0 kBtu/h (Rated)

• Calculation for the corrected capacity of the total indoor units (CTi)

Correction factor for indoor design wet bulb temperature: Room 1 (68.0°F) 1.02 (Refer to Figure 1 in 5-2-1.)

Room 2 (66.2°F) 0.95 (Refer to Figure 1 in 5-2-1.)

$$CTi = \Sigma (\text{Rated capacity of indoor unit} \times \text{Correction factor for indoor temperature})$$

$$= 15.0 \times 1.02 + 18.0 \times 0.95$$

$$= 32.4 \text{ kBtu/h}$$

• Calculation for the corrected capacity of the outdoor unit (CTo)

Correction factor for outdoor temperature (98.6°F)

0.98 (Refer to Figure 2 in 5-2-1.)

Correction factor for piping length (250 ft)

0.93 (Refer to Figure 7 in 5-5-1.)

$$CTo = \text{Rated capacity of outdoor unit} \times \text{Correction factor for outdoor temperature} \times \text{Correction factor for piping length} \times$$

$$G(CTi)^{*1}$$

$$= 36.0 \times 0.98 \times 0.93$$

$$= 32.8 \text{ kBtu/h}$$

*1. G(CTi) is used only when greater than 100% indoor model size are connected in total. Refer to Standard capacity diagram.

• Determination of maximum system capacity (CTx)

Comparison between CTi and CTo:

CTi = 32.4 < CTo = 32.8, thus, select CTi.

CTx = CTi = 32.4 kBtu/h

- Comparison with essential load
Against the essential load 30.3 kW, the maximum system capacity is 32.4 kW: A proper outdoor unit is selected.
- Calculation for the maximum indoor unit capacity of each room
When $CT_x = CT_i$, use the calculation formula below.
Room1: Rated capacity of indoor unit × Correction factor for indoor design temperature
= 15.0×1.02
= 15.3 kBtu/h
The capacity is enough for the cooling load of Room 1 (13.6 kBtu/h): A proper indoor unit is selected.
Room2: $CT_x \times$ Indoor unit rating × Correction factor for indoor design temperature
= 18.0×0.95
= 17.1 kBtu/h
The capacity is enough for the cooling load of Room 2 (16.7 kBtu/h): A proper indoor unit is selected.

Note:

- Go on to the selection of units for heating after the selection for cooling has successfully completed. If failed, try again until proper units are selected.

<Heating>

Design condition		
Outdoor wet bulb temperature		35.6°F (2.0°C)
Total heating load		32.3 kBtu/h
Room 1	Indoor dry bulb temperature	69.8°F (21.0°C)
	Heating load	15.5 kBtu/h
Room 2	Indoor dry bulb temperature	73.4°F (23.0°C)
	Heating load	16.8 kBtu/h
Other	Indoor/Outdoor piping equivalent length	328 ft

Capacity of indoor unit

- CITY MULTI series

Model class of indoor unit	04	05	06	08	12	15	18	24	27	30	36	48	54
Model capacity (kBtu/h)	4.5	5.6	6.7	9.0	13.5	17.0	20.0	27.0	30.0	34.0	40.0	54.0	60.0

- M, S, P series

Model name	Capacity class							
	06	09	12	15	18	24	30	36
SVZ-AP	-	-	15.0	-	20.0	25.0	30.0	34.2
SLZ-AF	-	11.0	13.0	18.0	-	-	-	-
SEZ-AD	-	12.0	15.0	18.0	20.0	-	-	-
MFZ-KX	-	12.0	15.0	18.0	20.0	-	-	-
MLZ-KX	7.2	12.0	14.6	-	19.0	-	-	-
MSZ-FX	9.0	12.0	13.2	16.5	17.0	-	-	-
MSZ-GX	7.2	10.9	14.4	18.0	21.6	27.6	-	-
PEAD-AA	-	12.0	14.0	18.0	19.0	26.0	30.8	38.0
PLA-AE	-	-	14.0	-	19.0	26.0	32.0	38.0
PAA	-	-	-	-	19.0	26.0	32.0	38.0

2. Heating calculation

- Tentative selection of indoor units
 Room1: PEFY-L15 17.0 kBtu/h (Nominal)
 Room2: PEFY-L18 20.0 kBtu/h (Nominal)
 In this case, the total capacity is 33.0. (15.0 + 18.0 = 33.0)
- Tentative selection of outdoor unit
 Proper outdoor unit in this case is SM36NL as the total capacity of the indoor units is 33.0.
 SM36NL 41.0 kBtu/h
- Calculation for the corrected capacity of the total indoor units (CTi)
 Correction factor for indoor temperature: Room 1 (69.8°F) 1.00 (Refer to Figure 3 in 5-2-2.)
 Room 2 (73.4°F) 0.92 (Refer to Figure 3 in 5-2-2.)
 $CTi = \Sigma (\text{Rated capacity of indoor unit} \times \text{Correction factor for indoor temperature})$
 $= 17.0 \times 1.00 + 20.0 \times 0.92$
 $= 35.4 \text{ kW}$
- Calculation for the corrected capacity of the outdoor unit (CTo)
 Correction factor for outdoor temperature (35.6°F WB) 1.00 (Refer to Figure 4 in 5-2-2.)
 Correction factor for piping length (328 ft) 0.94 (Refer to Figure 11 in 5-5-2.)
 Correction factor for defrosting 0.85 (Refer to Table 1.)
 $CTo = \text{Rated capacity of outdoor unit} \times \text{Correction factor for outdoor temperature} \times \text{Correction factor for piping length} \times$
 $\text{Correction factor for defrosting} (\times G(CTi))^*1$
 $= 41.0 \times 1.00 \times 0.94 \times 0.85$
 $= 32.7 \text{ kBtu/h}$

*1. G(CTi) is used only when greater than 100% indoor model size are connected in total. Refer to Standard capacity diagram.

Table 1 Table of correction factor for frosting and defrosting

Outdoor inlet air temp. [°F (°C) W.B.]	43(6)	37(4)	36(2)	32(0)	28(-2)	25(-4)	21(-6)	18(-8)	14(-10)	5(-15)	-4(-20)	-13(-25)
Correction factor	1.00	0.94	0.85	0.84	0.85	0.86	0.95	0.95	0.95	0.95	0.95	0.95

- Determination of maximum system capacity (CTx)
 Comparison between CTi and CTo:
 $CTi = 35.4 > CTo = 32.7$, thus, select CTo.
 $CTx = CTo = 32.7 \text{ kBtu/h}$
- Comparison with essential load
 Against the essential load 32.3 kBtu/h, the maximum system capacity is 32.7 kBtu/h: Proper indoor units have been selected.
- Calculation for the maximum indoor unit capacity of each room
 When $CTx = CTo$, use the calculation formula below.
 Room1: $CTx \times \text{Corrected capacity for Room1}/CTi$
 $= 32.7 \times (17.0 \times 1.00)/35.4$
 $= 15.7 \text{ kBtu/h}$
 The capacity is enough for the heating load of Room 1 (15.5 kW): A proper indoor unit is selected.
 Room2: $CTx \times \text{Corrected capacity for Room1}/CTi$
 $= 32.7 \times (20.0 \times 0.92)/(35.4)$
 $= 17.0 \text{ kW}$
 The capacity is enough for the heating load of Room 2 (16.8 kW): A proper indoor unit is selected.

Note:

- The selection of units is completed when proper units are selected.

3. Power input of outdoor unit

- Outdoor unit: MXZ-SM36NL
- Indoor unit 1: PEFY-L15
Indoor unit 2: PEFY-L18

■ Cooling

- Nominal power input of outdoor unit 2.56 kW
- Calculation of the average indoor temperature power input coefficient
 - Coefficient of the outdoor unit for indoor unit 1
(Outdoor temp. 98.6°F [37.0°C] D.B., Indoor temp. 68.0°F [20.0°C] W.B.)
1.04 (Refer to Figure 2 in 5-2-1)
 - Coefficient of the outdoor unit for indoor unit 2
(Outdoor temp. 98.6°F [37.0°C] D.B., Indoor temp. 64.4°F [18.0°C] W.B.)
0.85 (Refer to Figure 2 in 5-2-1.)
 - Average indoor temp. power input coefficient (Cave) = $\sum_{k=1}^n \{Ck \times (Mk / \sum_{k=1}^n Mk)\}$
n: Total number of the indoor units
k: Number of the indoor unit
ck: Outdoor unit power input coefficient of k indoor unit room temp.
Mk: Number part of the k indoor unit model (e.g. P80: 80)
 - Correction Coefficient of Indoor temperature = $1.04 \times 15 / (15 + 18) + 0.85 \times 18 / (15 + 18)$
= 0.94
- Coefficient of the partial load $f(CTi)$
Total indoor units capacity = 15 + 18 = 33, thus, $f(CTi) = 0.9$ (Refer to the tables in 5-4. "Standard Capacity Diagram".)
- Outdoor power input (Plo)
Maximum System Capacity (CTx) = Total outdoor unit capacity (CTo), so use the following formula:
Plo = Outdoor unit cooling nominal power input × Correction coefficient of indoor temperature × $f(CTi)$
= $2.56 \times 0.94 \times 0.9$
= 2.17 kW

■ Heating

- Nominal power input of outdoor unit 3.01 kW
- Calculation of the average indoor temperature power input coefficient
 - Coefficient of the outdoor unit for indoor unit 1 (Outdoor temp. 26.6°F [-3°C] W.B., Indoor temp. 70°F [21.1°C] D.B.)
1.16 (Refer to Figure 4 in 5-2-2.)
 - Coefficient of the outdoor unit for indoor unit 2 (Outdoor temp. 26.6°F [-3°C] W.B., Indoor temp. 78.8°F [26.0°C] D.B.)
1.09 (Refer to Figure 4 in 5-2-2.)
 - Average indoor temp. power input coefficient (Cave) = $\sum_{k=1}^n \{Ck \times (Mk / \sum_{k=1}^n Mk)\}$
n: Total number of the indoor units
k: Number of the indoor unit
ck: Outdoor unit power input coefficient of k indoor unit room temp.
Mk: Number part of the k indoor unit model (e.g. P80: 80)
 - Correction Coefficient of Indoor temperature = $1.16 \times 15 / (15 + 18) + 1.09 \times 18 / (15 + 18)$
= 1.12
- Coefficient of the partial load $f(CTi)$
Total indoor units capacity = 15 + 18 = 33, thus, $f(CTi) = 0.9$ (Refer to the tables in 5-4. "Standard capacity diagram".)
- Outdoor power input (Plo)
Maximum System Capacity (CTx) = Total Indoor unit capacity (CTi), so use the following formula
Plo = Outdoor unit heating nominal power input × Correction coefficient of indoor temperature × $f(CTi)$
= $3.01 \times 1.12 \times 0.9$
= 3.03 kW

7-2. Correction by temperature

CITY MULTI indoor unit could have varied capacity at different designing temperature. Using the nominal cooling/heating capacity value and the ratio below, the capacity can be observed at various temperature.

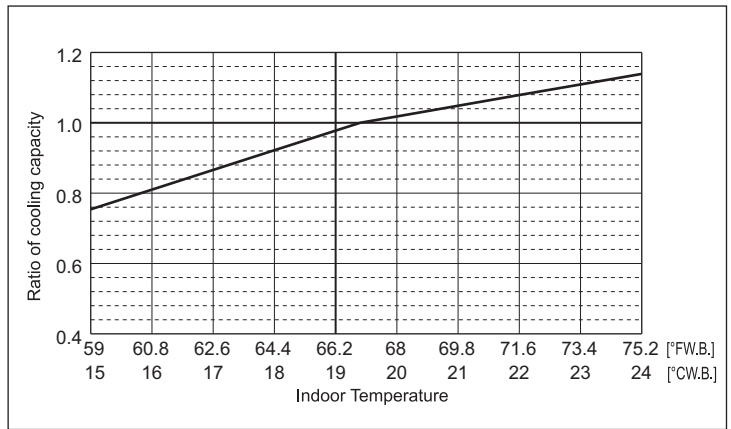
MXZ-		MXZ-SM36NL-U1	MXZ-SM48NL-U1
Nominal Cooling capacity	Btu/h	36,000	48,000
	kW	10.6	14.1
	Input *1 kW	2,555/3,600	4,000/5,715

MXZ-		MXZ-SM60NL-U1
Nominal Cooling capacity	Btu/h	60,000
	kW	17.6
	Input *1 kW	5,000/6,385

*1 non-ducted/ducted

Indoor unit temperature correction

To be used to correct indoor unit capacity only

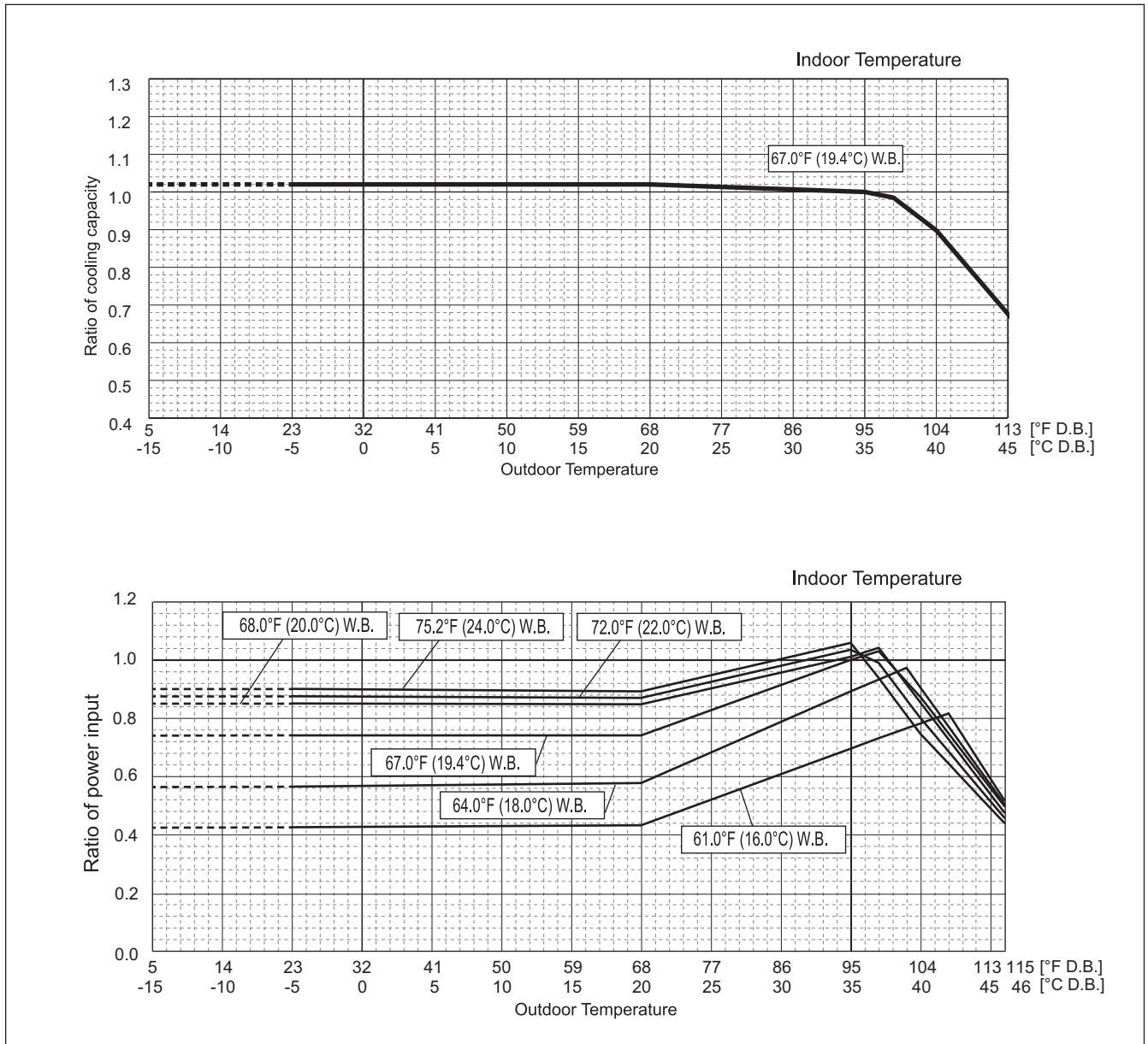


Outdoor unit temperature correction

To be used to correct outdoor unit only

Outdoor unit capacity is NOT affected by the indoor temperature.

Outdoor unit power input is affected by the indoor and outdoor temperatures. Please consult the sales office for details.



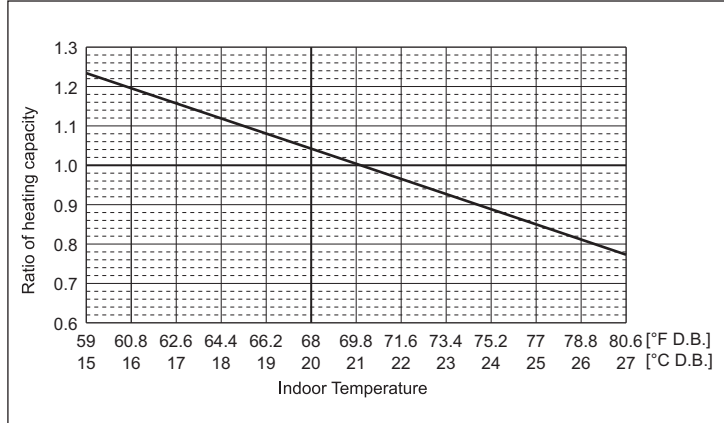
Values in the cooling temperature correction diagram in the range below -5°C (23°F) are reference values and not guaranteed values. Do not use these reference values for selecting outdoor unit models.

MXZ-SM-NL-U1, MXZ-SM-NLHZ-U1

MXZ-		MXZ-SM36NL-U1	MXZ-SM48NL-U1
Nominal Heating capacity	Btu/h	41,000	50,000
	kW	12.0	14.7
	Input *1 kW	3,005/3,880	3,665/4,730

*1 non-ducted/ducted

Indoor unit temperature correction
To be used to correct indoor unit capacity only

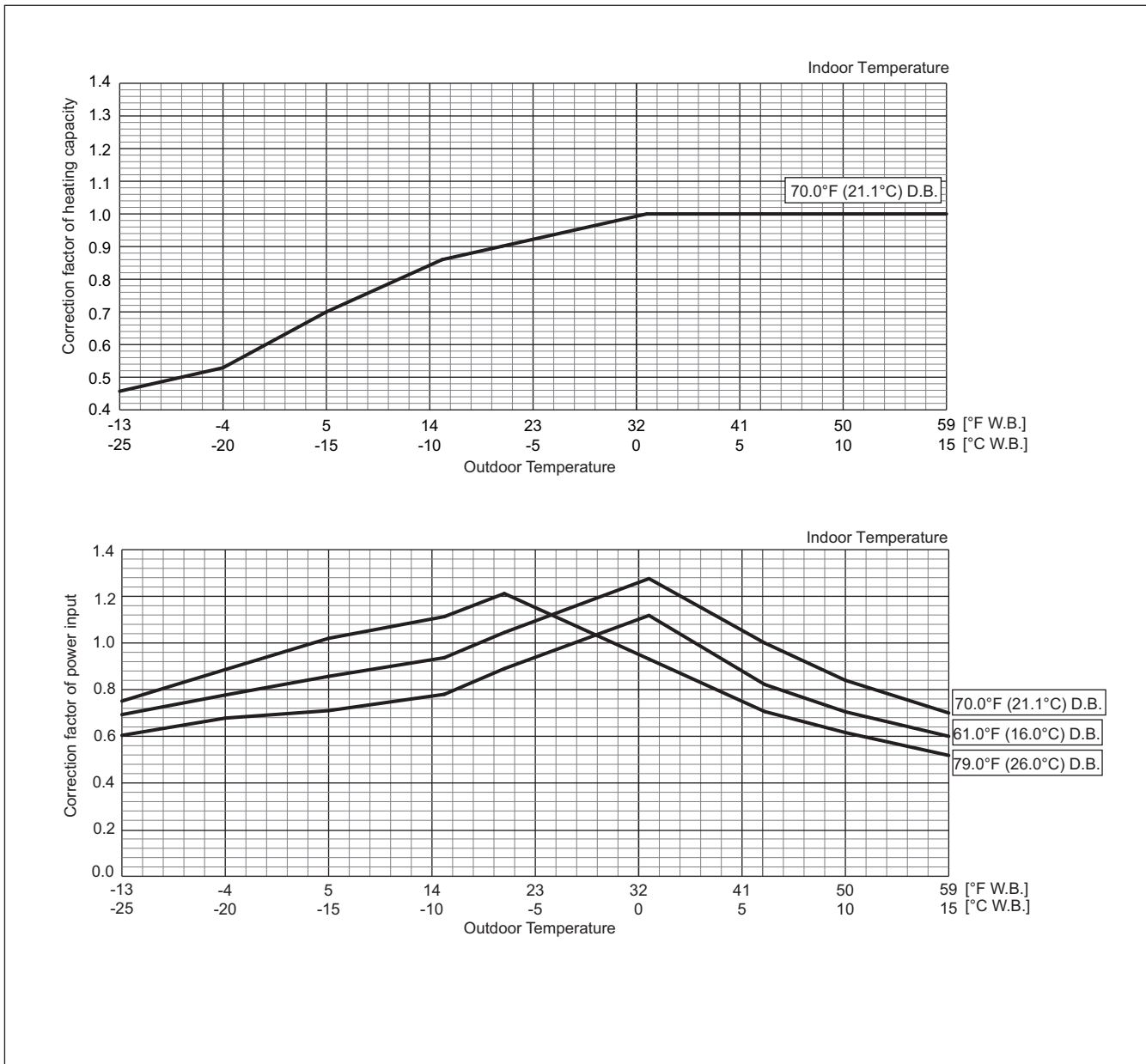


Outdoor unit temperature correction

To be used to correct outdoor unit only

Outdoor unit capacity is NOT affected by the indoor temperature.

Outdoor unit power input is affected by the indoor and outdoor temperatures. Please consult the sales office for details.

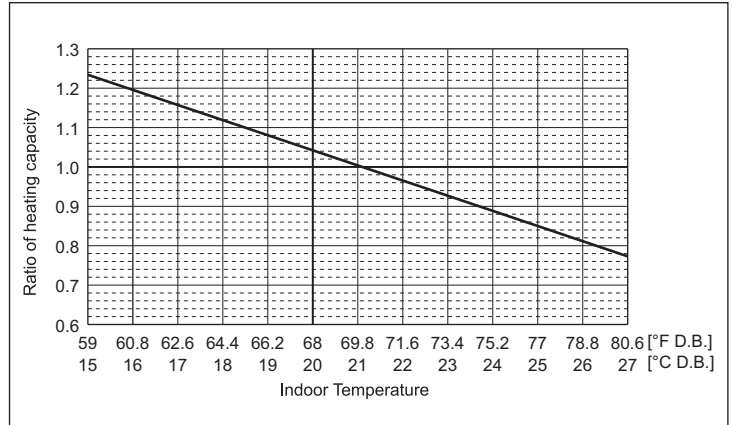


MXZ-		MXZ-SM60NL-U1
Nominal Heating capacity	Btu/h	66,000
	kW	19.3
Input *1	kW	4,720/5,865

*1 non-ducted/ducted

Indoor unit temperature correction

To be used to correct indoor unit capacity only

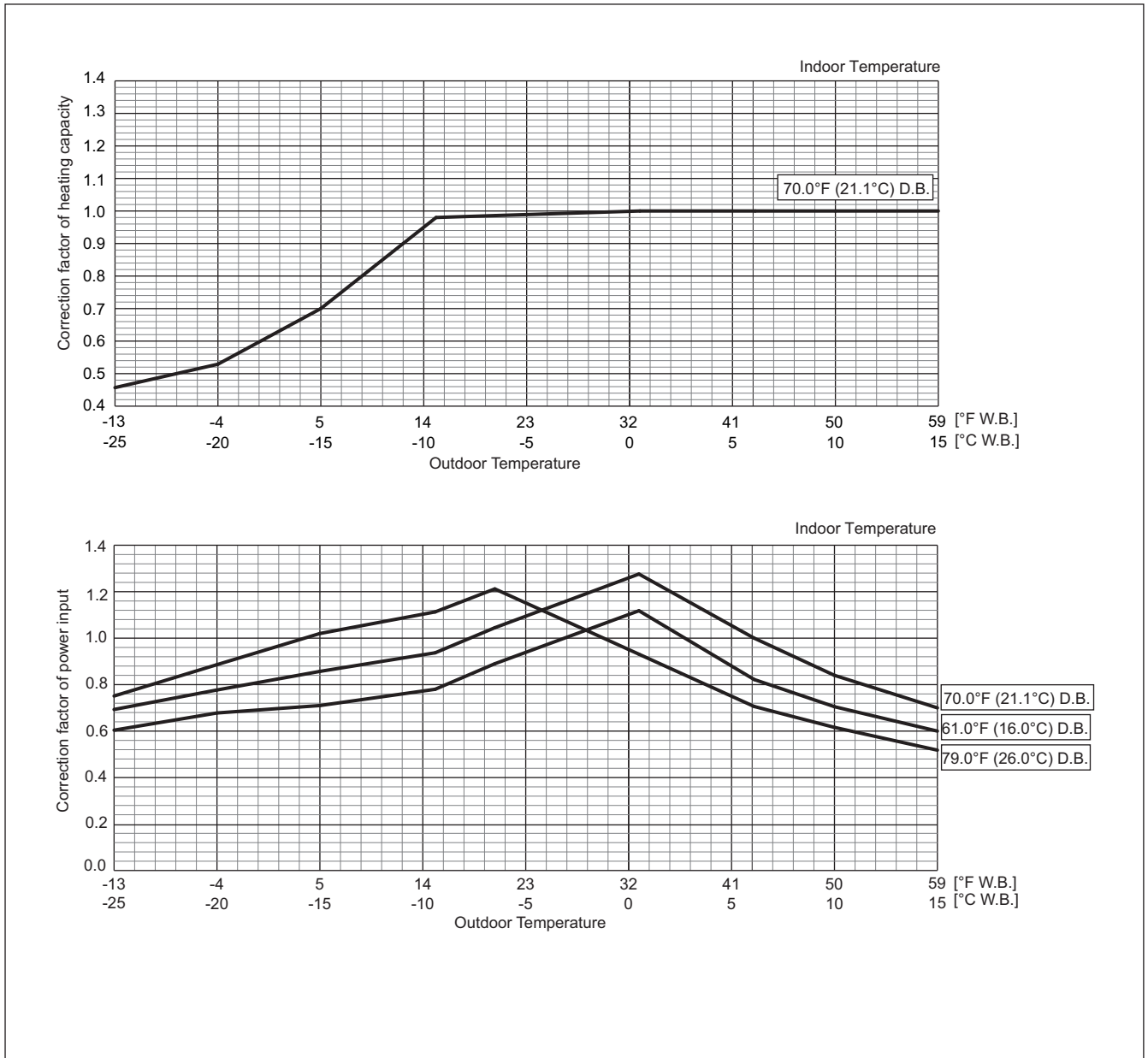


Outdoor unit temperature correction

To be used to correct outdoor unit only

Outdoor unit capacity is NOT affected by the indoor temperature.

Outdoor unit power input is affected by the indoor and outdoor temperatures. Please consult the sales office for details.



MXZ-SM-NL-U1, MXZ-SM-NLHZ-U1

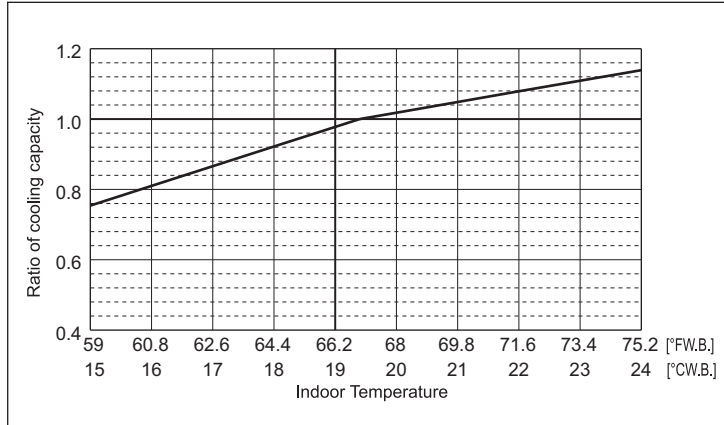
MXZ-SM-NL-U1, MXZ-SM-NLHZ-U1

MXZ-		MXZ-SM36NLHZ-U1	MXZ-SM42NLHZ-U1
Nominal Cooling capacity	Btu/h	36,000	42,000
	kW	10.6	12.3
Input *1	kW	2,485/3,305	3,135/4,040

MXZ-		MXZ-SM48NLHZ-U1
Nominal Cooling capacity	Btu/h	48,000
	kW	14.1
Input *1	kW	3,665/4,800

*1 non-ducted/ducted

Indoor unit temperature correction
To be used to correct indoor unit capacity only

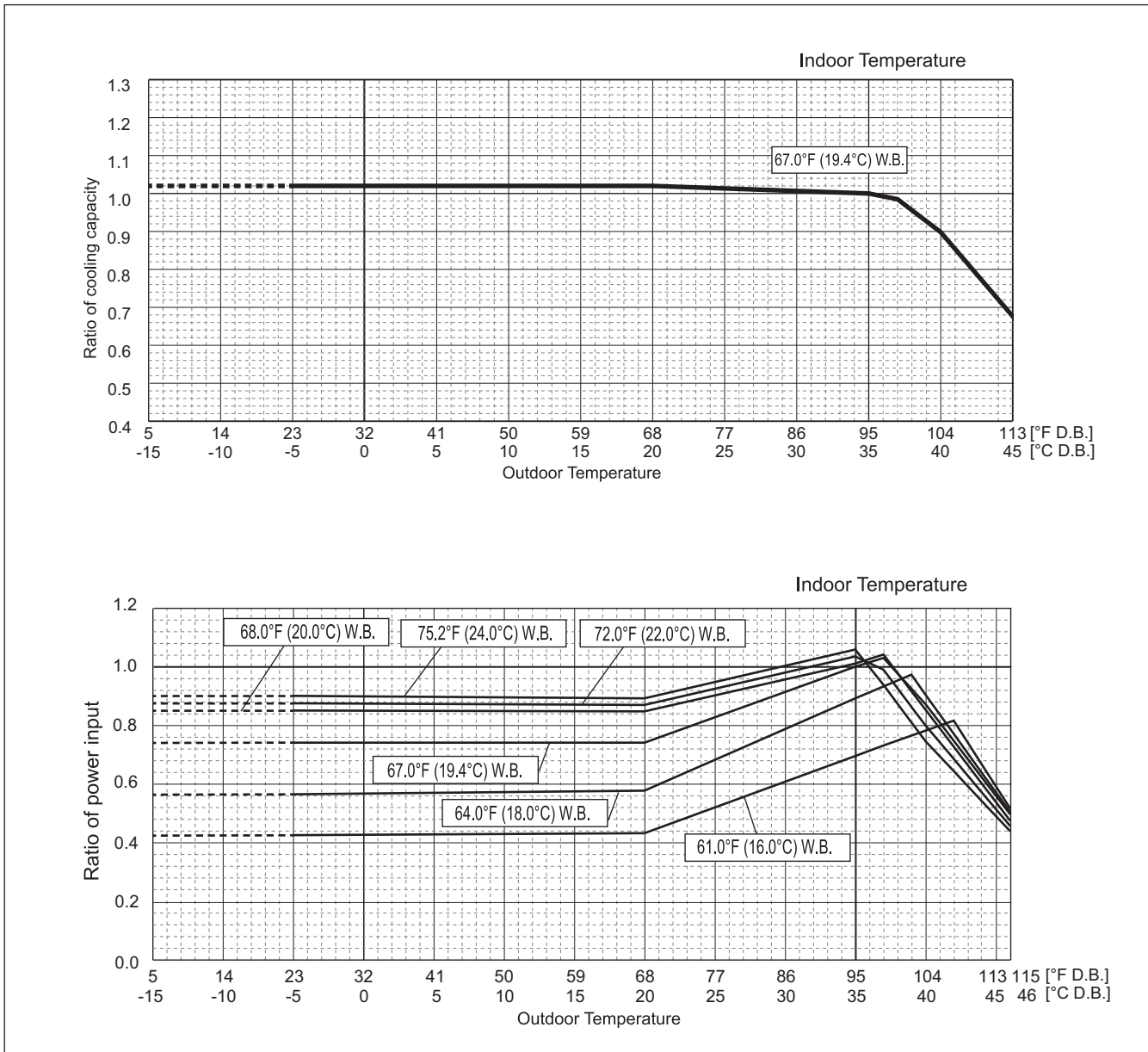


Outdoor unit temperature correction

To be used to correct outdoor unit only

Outdoor unit capacity is NOT affected by the indoor temperature.

Outdoor unit power input is affected by the indoor and outdoor temperatures. Please consult the sales office for details.



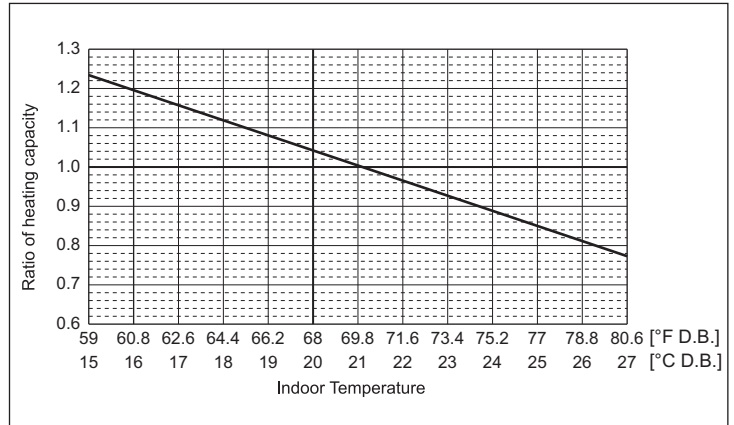
Values in the cooling temperature correction diagram in the range below -5°C (23°F) are reference values and not guaranteed values. Do not use these reference values for selecting outdoor unit models.

MXZ-		MXZ-SM36NLHZ-U1	MXZ-SM42NLHZ-U1
Nominal Heating capacity	Btu/h	42,000	48,000
	kW	12.3	14.1
Input *1	kW	3.080/3.620	3.435/4.690

MXZ-		MXZ-SM48NLHZ-U1
Nominal Heating capacity	Btu/h	54,000
	kW	15.8
Input *1	kW	3.960/4.950

*1 non-ducted/ducted

Indoor unit temperature correction
To be used to correct indoor unit capacity only

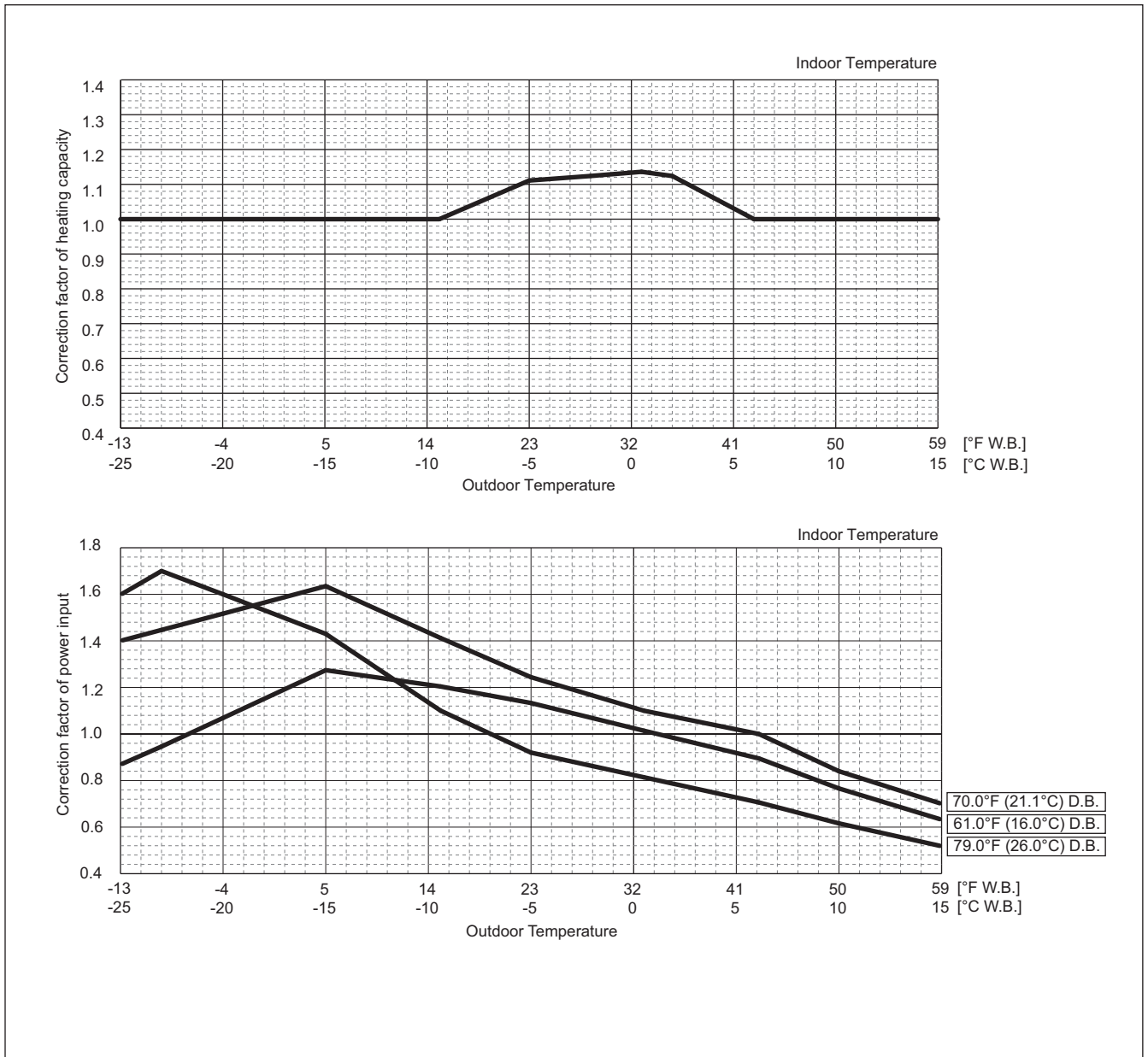


Outdoor unit temperature correction

To be used to correct outdoor unit only

Outdoor unit capacity is NOT affected by the indoor temperature.

Outdoor unit power input is affected by the indoor and outdoor temperatures. Please consult the sales office for details.



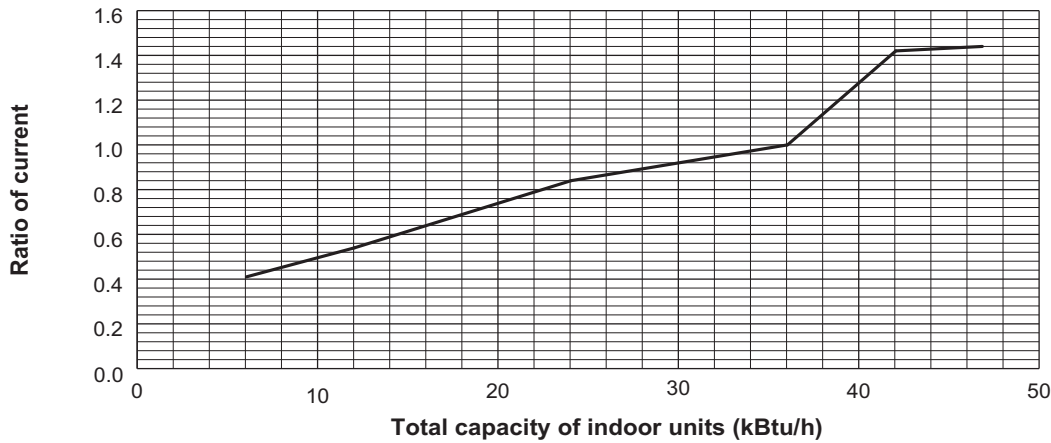
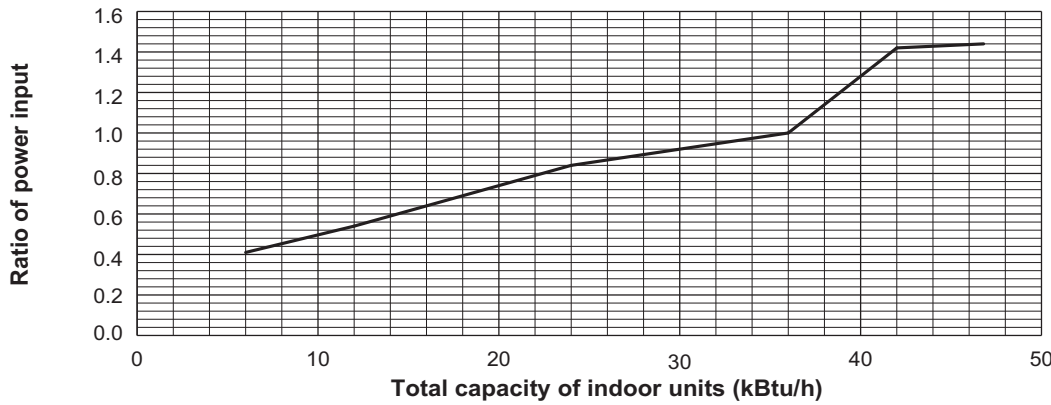
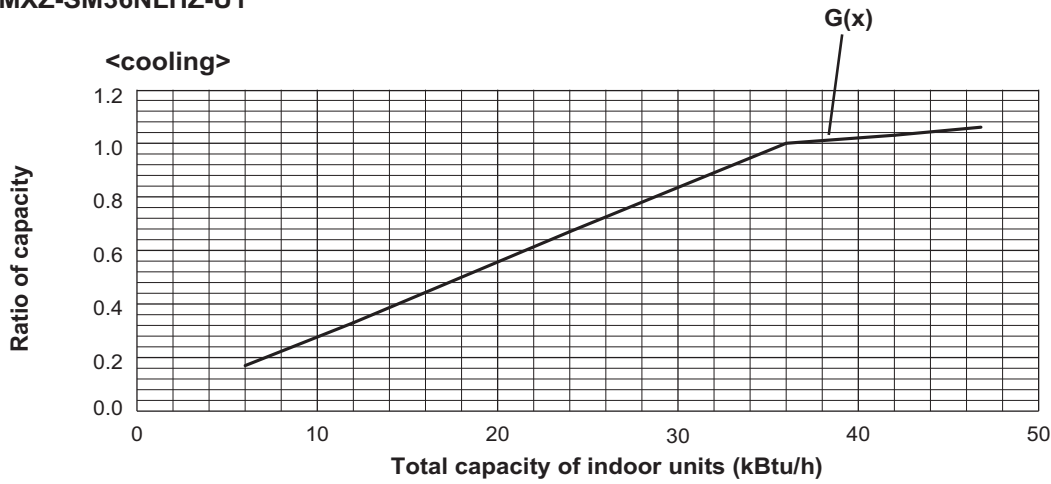
MXZ-SM-NL-U1, MXZ-SM-NLHZ-U1

7-3. Correction by total indoor

CITY MULTI indoor unit systems have different capacities and inputs when many combinations of indoor units with different total capacities are connected. Using following tables, the maximum capacity can be found to ensure the system is installed with enough capacity for a particular application.

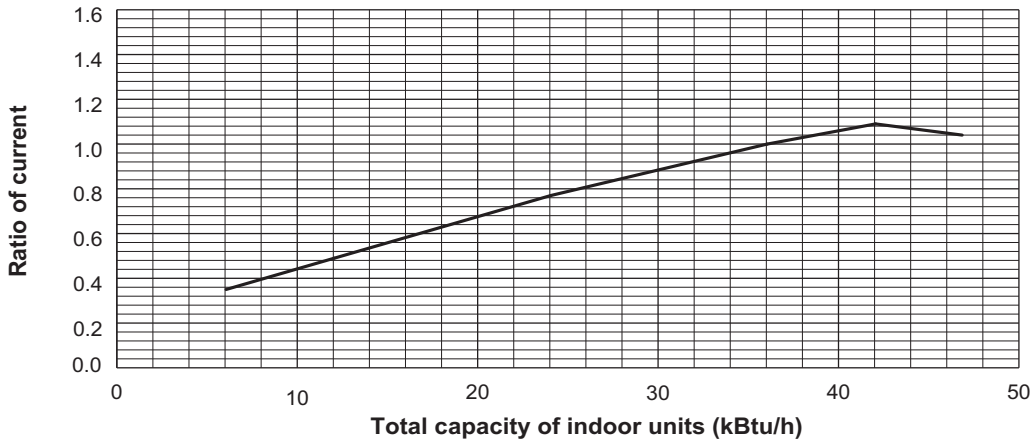
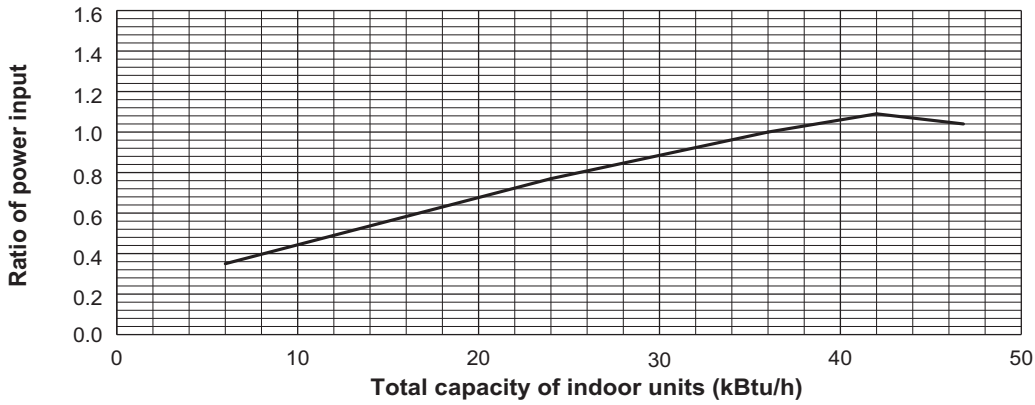
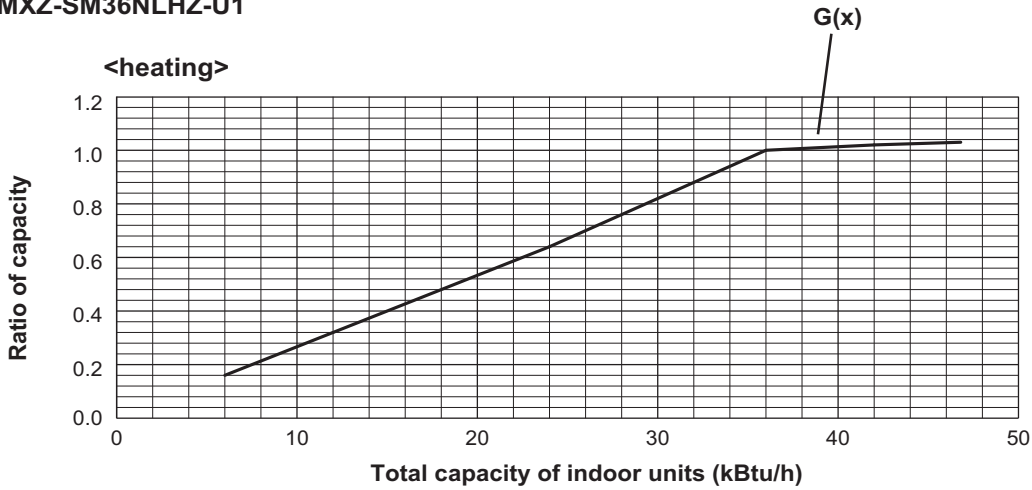
MXZ-SM36NL-U1
MXZ-SM36NLHZ-U1

MXZ-SM-NL-U1, MXZ-SM-NLHZ-U1



— 208, 230 V

MXZ-SM36NL-U1
MXZ-SM36NLHZ-U1

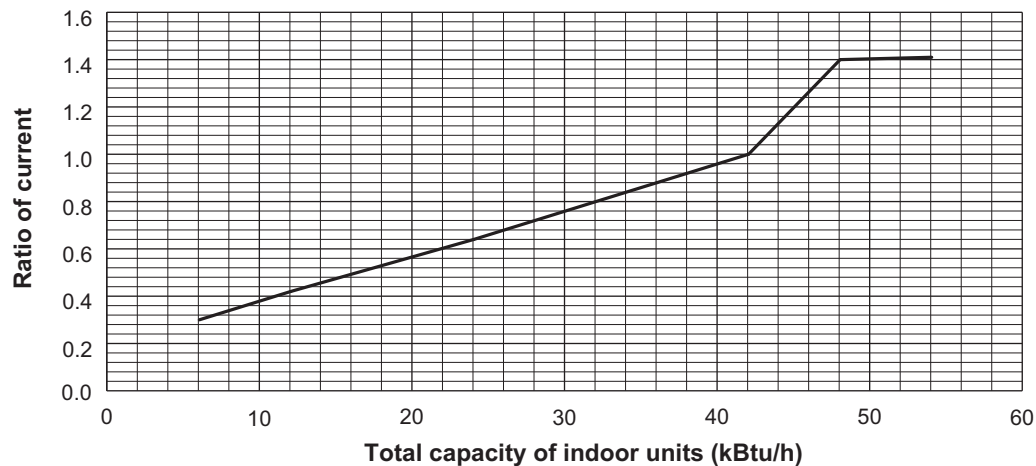
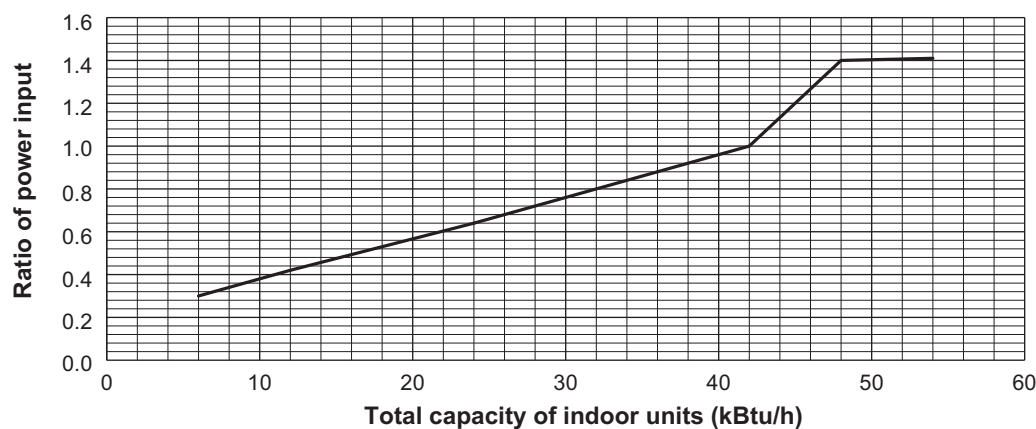
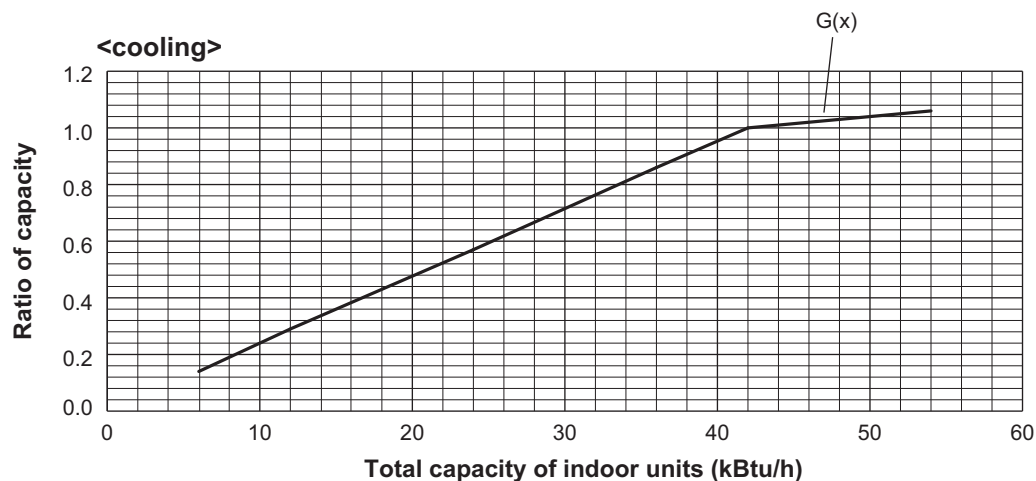


— 208, 230 V

MXZ-SM-NL-U1, MXZ-SM-NLHZ-U1

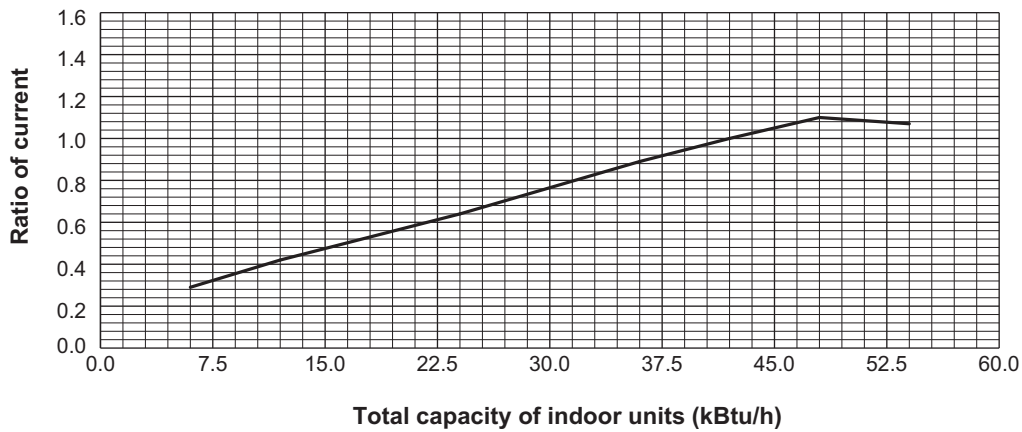
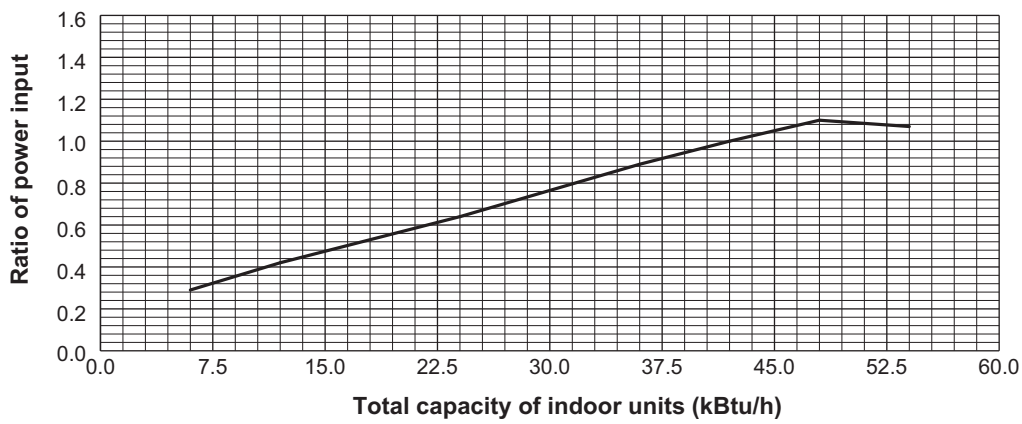
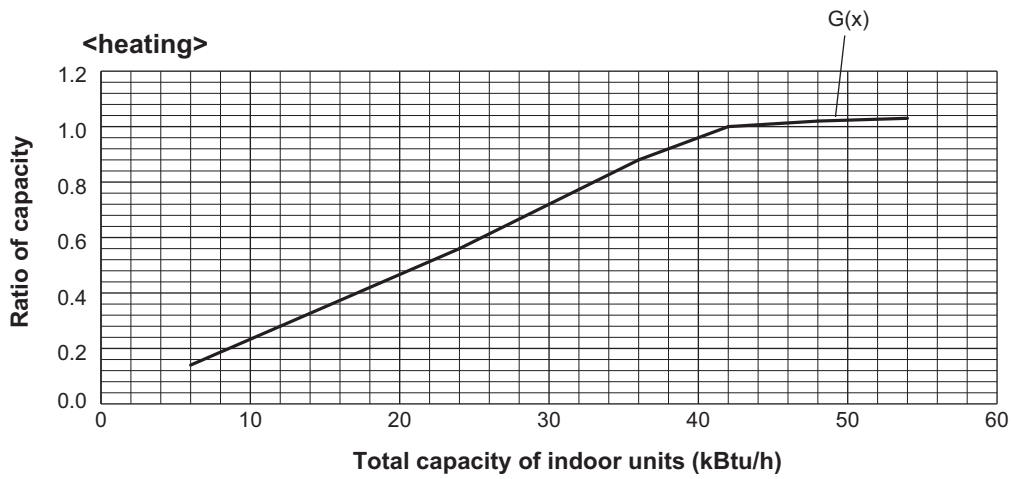
MXZ-SM42NLHZ-U1

MXZ-SM-NL-U1, MXZ-SM-NLHZ-U1



— 208, 230 V

MXZ-SM42NLHZ-U1

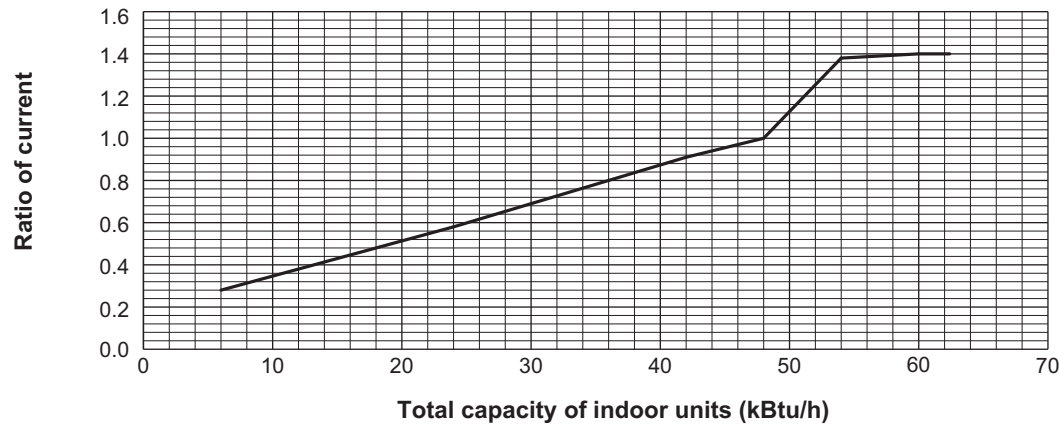
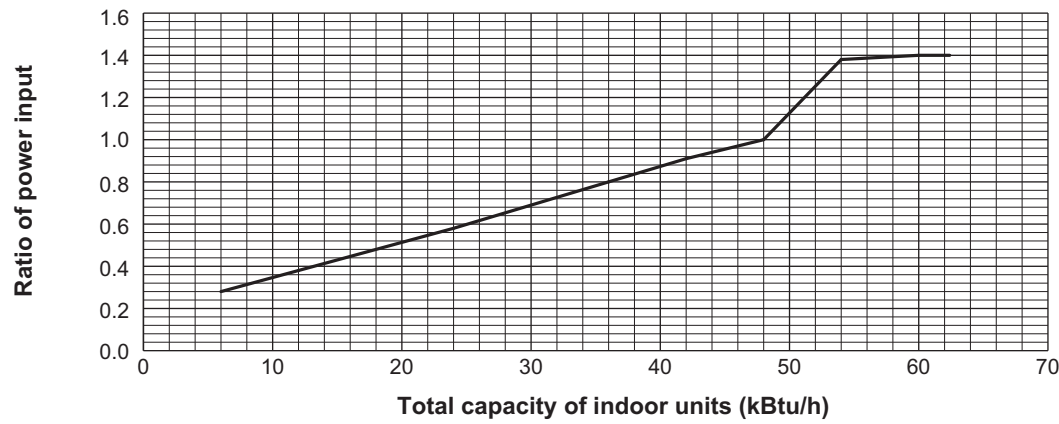
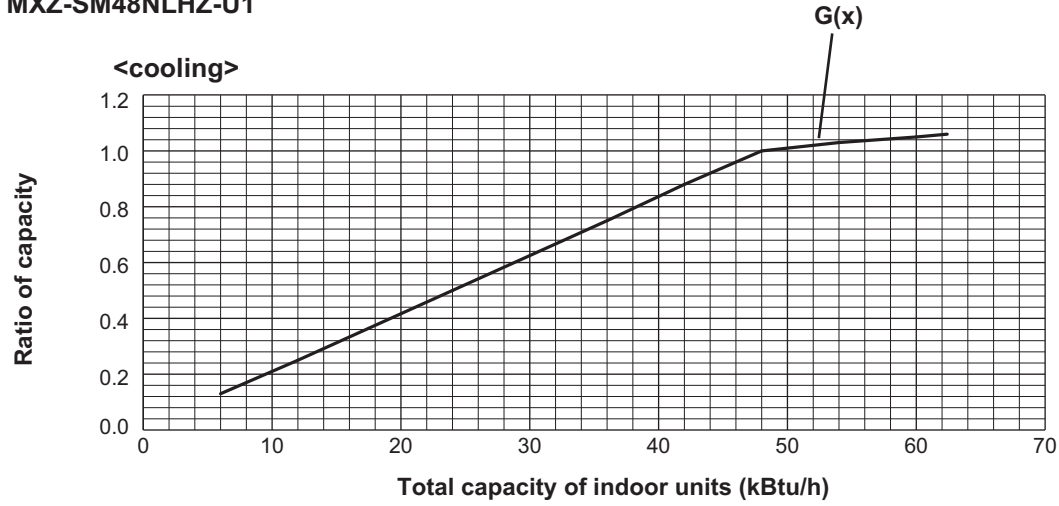


— 208, 230 V

MXZ-SM-NL-U1, MXZ-SM-NLHZ-U1

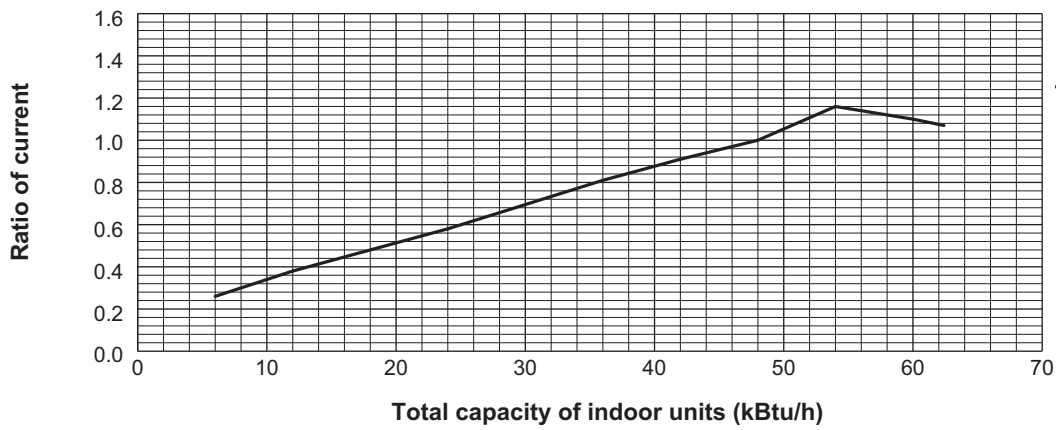
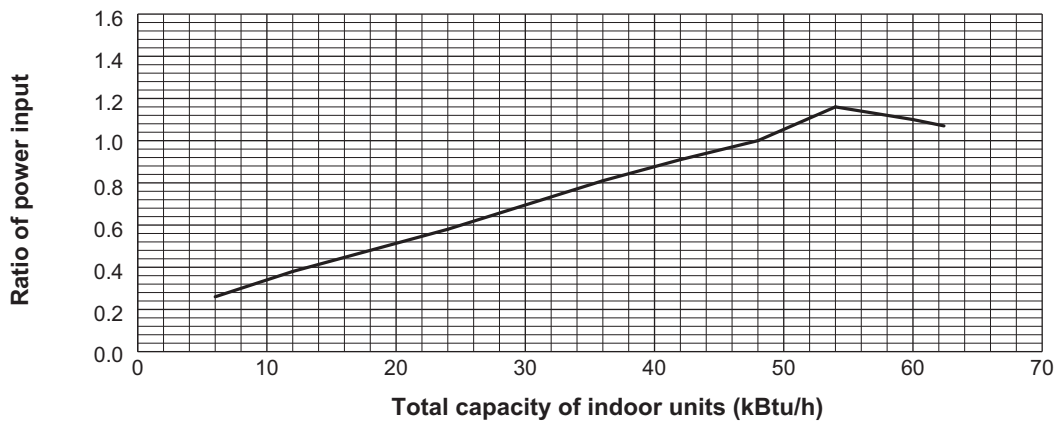
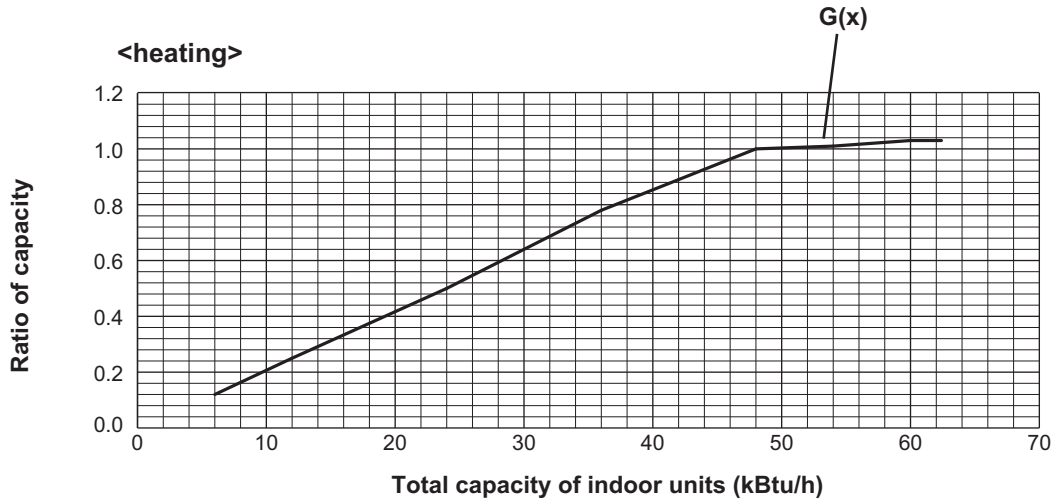
MXZ-SM48NL-U1
MXZ-SM48NLHZ-U1

MXZ-SM-NL-U1, MXZ-SM-NLHZ-U1



— 208, 230 V

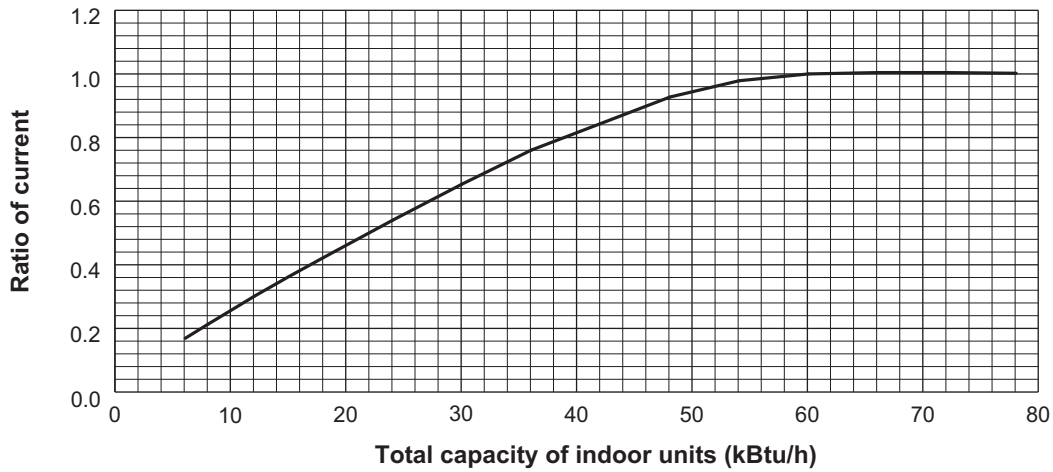
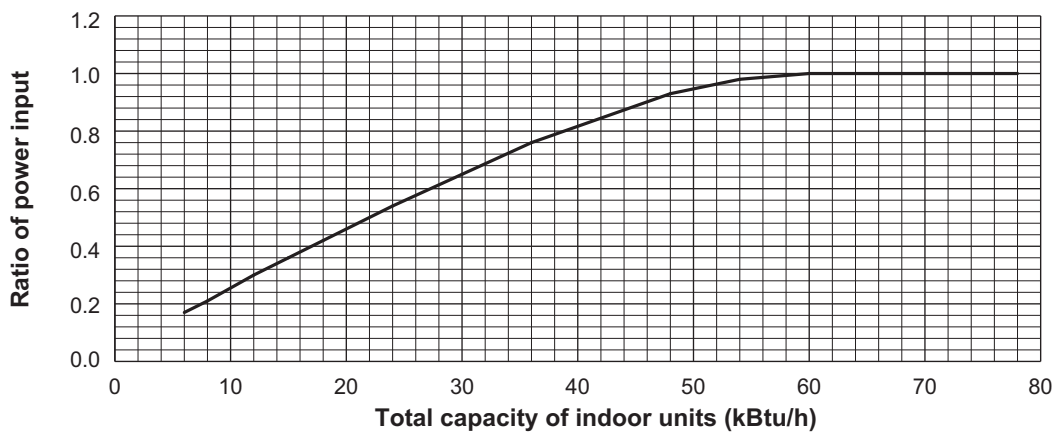
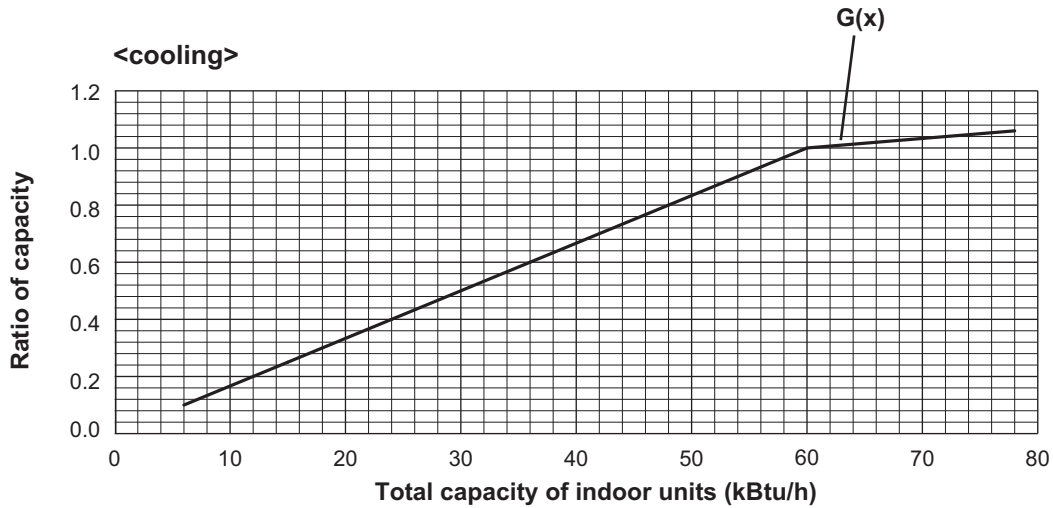
MXZ-SM48NL-U1
MXZ-SM48NLHZ-U1



MXZ-SM-NL-U1, MXZ-SM-NLHZ-U1

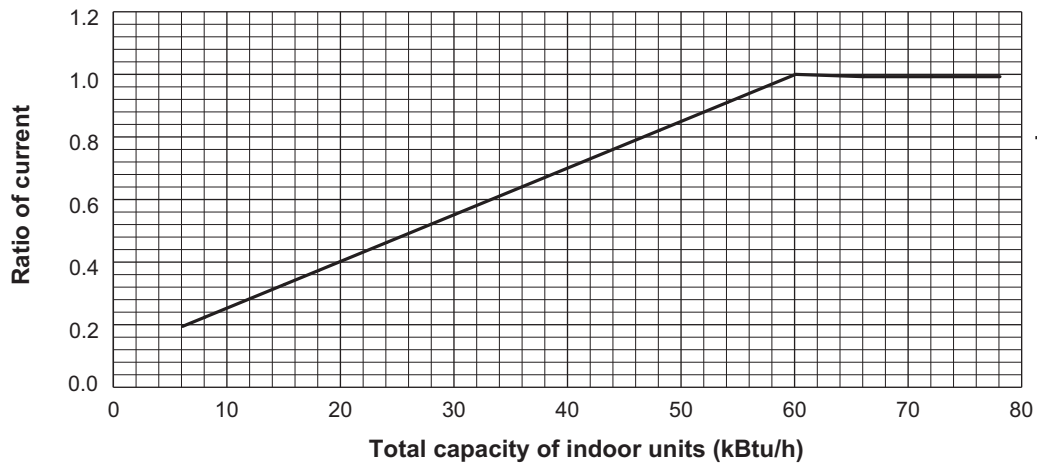
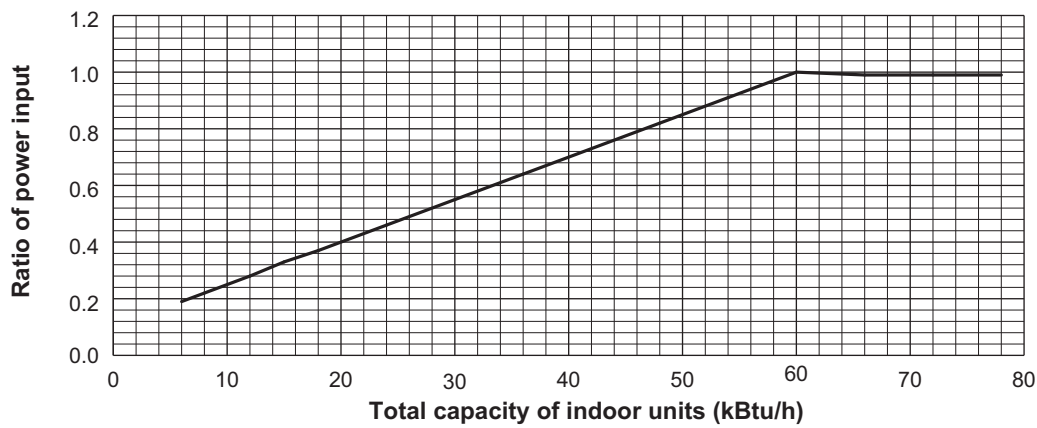
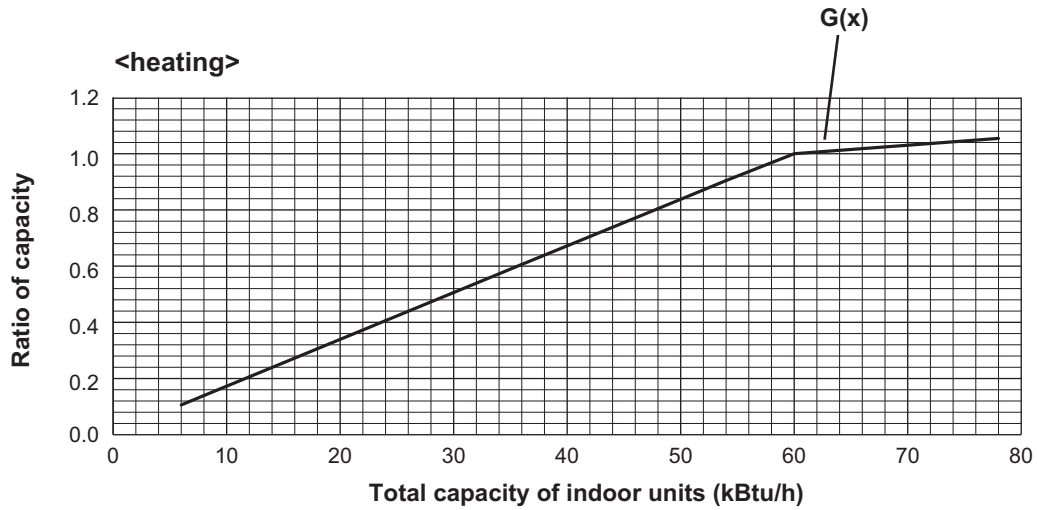
MXZ-SM60NL-U1

MXZ-SM-NL-U1, MXZ-SM-NLHZ-U1



— 208, 230 V

MXZ-SM60NL-U1



208, 230 V

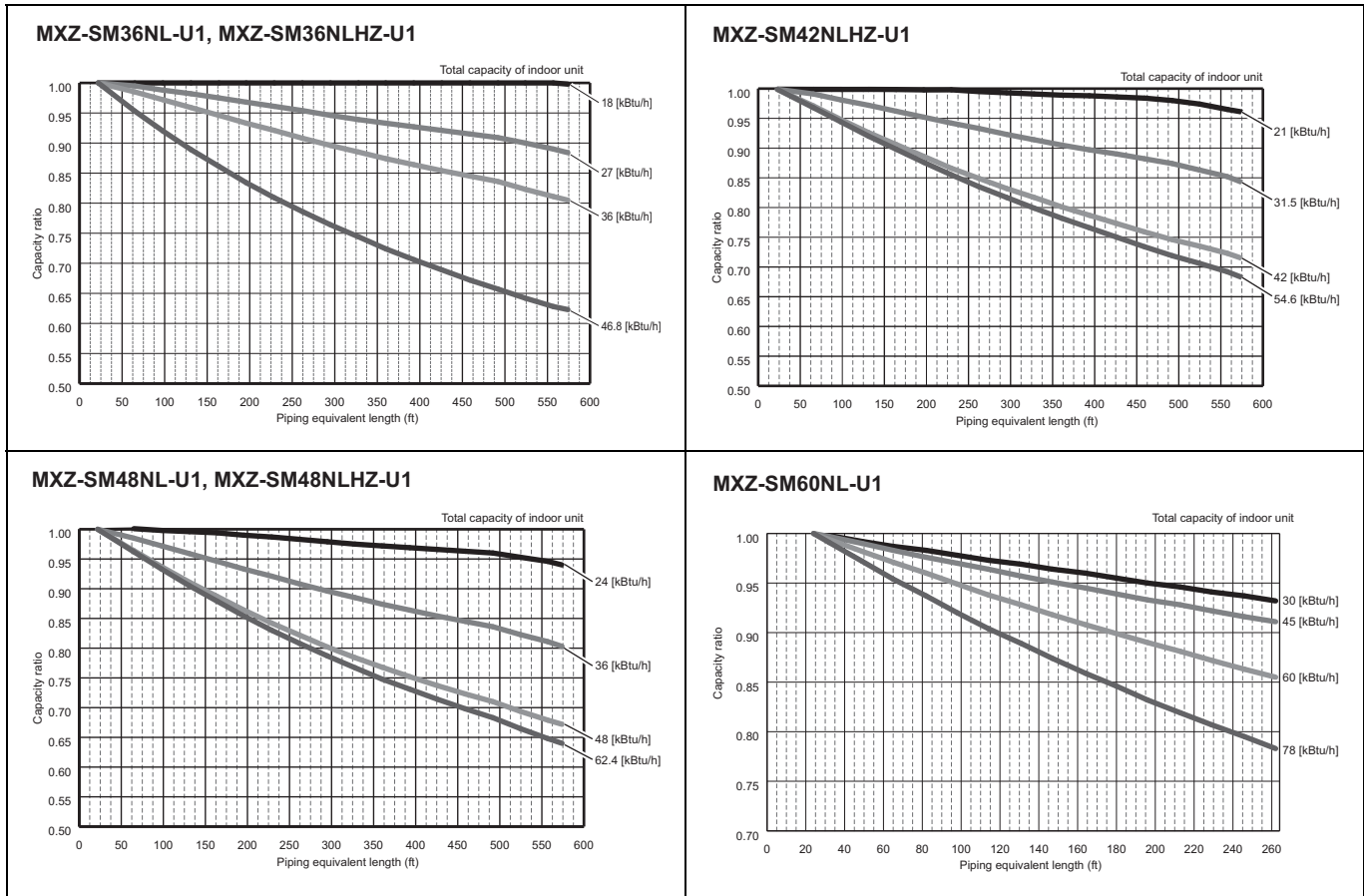
MXZ-SM-NL-U1, MXZ-SM-NL-HZ-U1

7-4. Correction by refrigerant piping length

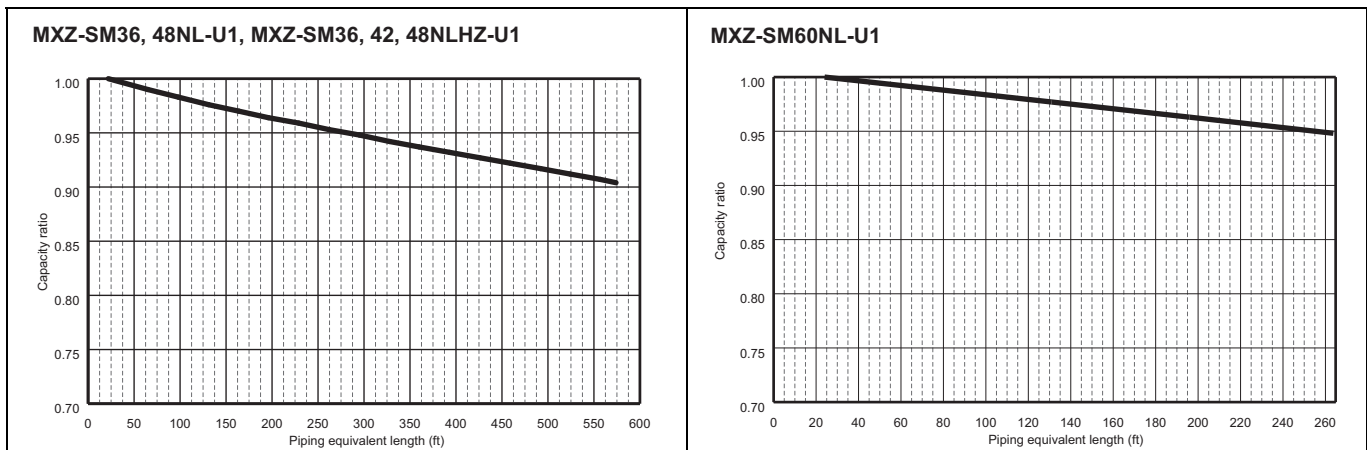
CITY MULTI indoor unit systems can have extended piping lengths if certain limitations are followed, but cooling/heating capacity could be reduced. Using following correction factor by equivalent piping length shown at 7-4-1 and 7-4-2, capacity can be found. 7-4-3 shows how to obtain the equivalent piping length.

MXZ-SM-NL-U1, MXZ-SM-NLHZ-U1

7-4-1. Cooling capacity correction



7-4-2. Heating capacity correction



7-4-3. How to obtain the equivalent piping length

Equivalent length [m]= (Actual piping length to the farthest indoor unit) + (0.30 x number of bends in the piping)
 Equivalent length [ft.]= (Actual piping length to the farthest indoor unit) + (0.99 x number of bends in the piping)

7-5. Correction at frost and defrost

Due to frost at the outdoor heat exchanger and the automatic defrost operation, the heating capacity of the outdoor unit can be calculated by multiplying the correction factor shown in the table below.

Table of correction factor at frost and defrost

Outdoor inlet air temp. °FWB	43	37	36	32	28	25	21	18	14	5	-4	-13
Outdoor inlet air temp. °CWB	6	4	2	0	-2	-4	-6	-8	-10	-15	-20	-25
Correction factor	1.00	0.94	0.85	0.84	0.85	0.86	0.95	0.95	0.95	0.95	0.95	0.95

Note:

- ♦ The high humidity condition (e.g., a foggy atmosphere) which causes frost forming on the heat exchanger will worsen the heating performance of the unit.
 - ♦ The snow blowing to the heat exchanger will worsen the heating performance of the unit. Install a snow hood as a preventive measure.
- * The correction factors in the table above are used for a full-load and above.
Use the formula below to calculate the correction factor to use for a partial load.

Correction factor for partial load: K

Correction factor for a full load and above: K_0

Partial load factor: A

$$K = 1 - (1 - K_0) \times A$$

8-1. JOINT

CITY MULTI indoor units can be easily connected by using Joint sets and Header sets provided by Mitsubishi Electric. One kind of Joint sets are available for use. Refer to section "Piping Design" or the Installation Manual that comes with the Joint set for how to install the Joint set.

MXZ-SM-NL-U1, MXZ-SM-NLHZ-U1

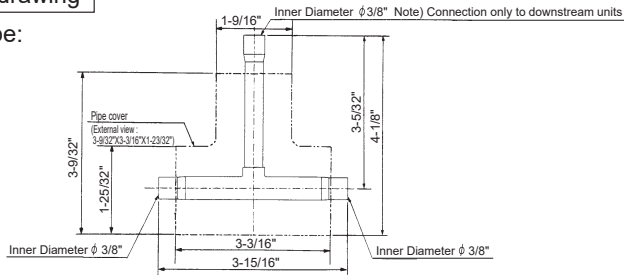
CMY-Y62-G

1. Specification

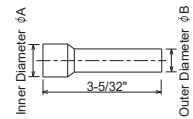
	Items	Details
Main	Number of ports	2 ports
	Number of branch joints	One for each liquid and gas pipe
	Pipe material	Phosphorus deoxidized copper C1220T-OL (JIS H3300)
Accessory	Insulation material	Foamed polyethylene (one for each liquid and gas pipe)
	Reducer	10 reducers of 7 types (Refer to the external drawing for details.)

2. External drawing

For liquid pipe:

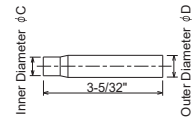
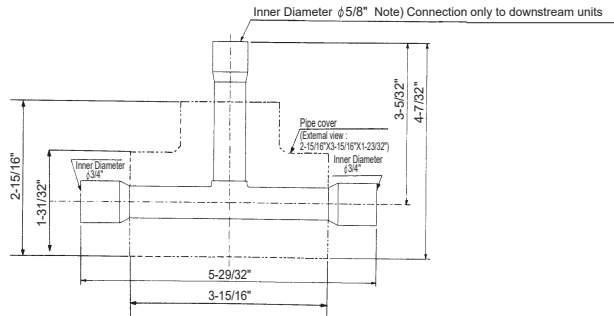


Reducer (Accessory):



A (Inner Diameter)	B (Outer Diameter)	Number of reducers
φ 1/2"	φ 3/8"	2
φ 3/4"	φ 5/8"	1
φ 7/8"	φ 3/4"	1

For gas pipe:



C (Inner Diameter)	D (Outer Diameter)	Number of reducers
φ 1/4"	φ 3/8"	2
φ 1/2"	φ 5/8"	1
φ 1/2"	φ 3/4"	1
φ 5/8"	φ 3/4"	2

8-2. HEADER

CITY MULTI indoor units can be easily connected by using Joint sets and Header sets provided by Mitsubishi Electric. Two kinds of Header sets are available for use. Refer to section "Piping Design" or the Installation Manual that comes with the Header set for how to install the Header set.

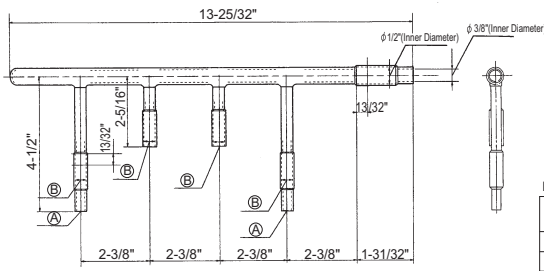
CMY-Y64-G

1. Specification

Items		Details
Main	Number of ports	3 ~ 4 ports
	Number of branch joints	One for each liquid and gas pipe
	Pipe material	Phosphorus deoxidized copper C1220T-OL (JIS H3300)
Accessory	Insulation material	Foamed polyethylene
	Reducer	7 reducers of 5 types
	Cap	2 caps of 2 different types for each liquid and gas pipe ; 4 caps in total

2. External drawing

For liquid pipe:



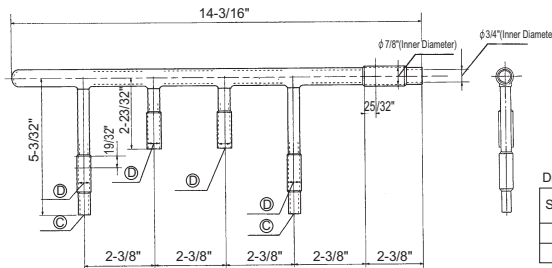
Dimension table

Symbol	Inner Diameter (mm)
(A)	phi 1/4"
(B)	phi 3/8"

Reducer (Accessory):

A (Inner Diameter)	B (Outer Diameter)	Number of reducers
phi 3/4"	phi 5/8"	1
phi 5/8"	phi 1/2"	2
phi 3/8"	phi 1/4"	2

For gas pipe:



Dimension table

Symbol	Inner Diameter (mm)
(C)	phi 1/2"
(D)	phi 5/8"

C (Inner Diameter)	D (Outer Diameter)	Number of reducers
phi 5/8"	phi 3/4"	1
phi 3/8"	phi 1/2"	1

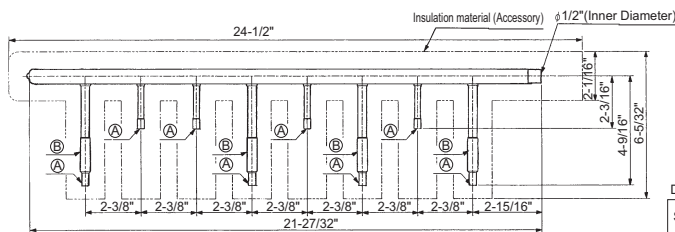
CMY-Y68-G

1. Specification

Items		Details
Main	Number of ports	5 ~ 8 ports
	Number of branch joints	One for each liquid and gas pipe
	Pipe material	Phosphorus deoxidized copper C1220T-OL (JIS H3300)
Accessory	Insulation material	Foamed polyethylene
	Reducer	3 reducers of 3 types
	Cap	3 caps for each liquid and gas pipe ; 6 in total

2. External drawing

For liquid pipe:



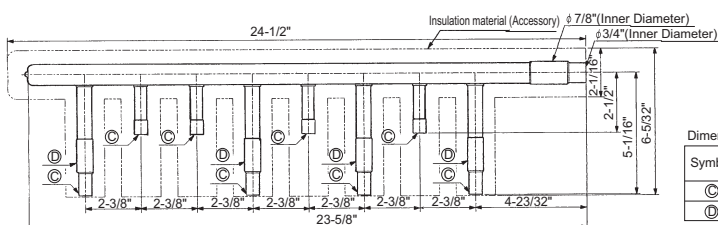
Dimension table

Symbol	Inner Diameter (mm)
(A)	phi 1/4"
(B)	phi 3/8"

Reducer (Accessory):

A (Inner Diameter)	B (Outer Diameter)	Number of reducers
phi 3/4"	phi 5/8"	1
phi 1/2"	phi 3/8"	1

For gas pipe:



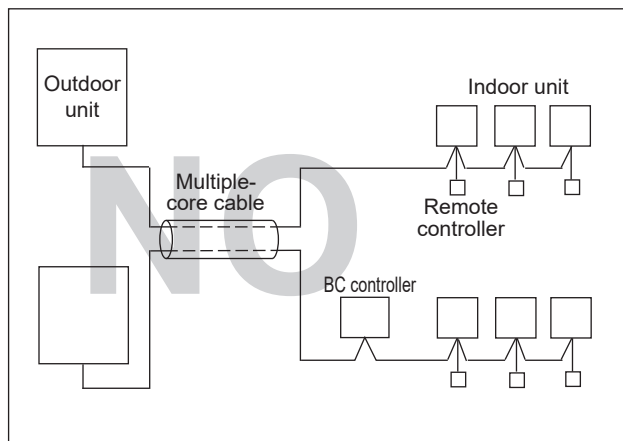
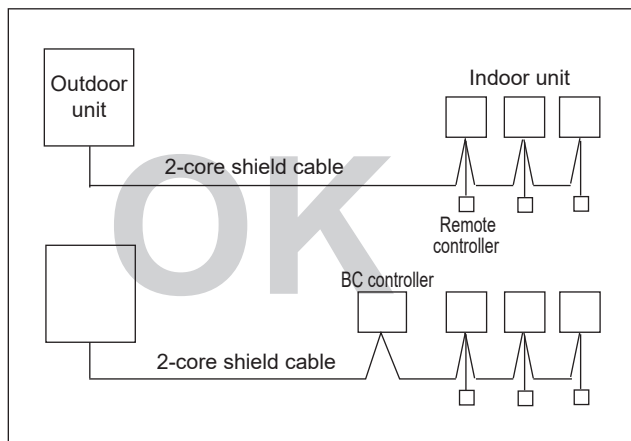
Dimension table

Symbol	Inner Diameter (mm)
(C)	phi 1/2"
(D)	phi 5/8"

C (Inner Diameter)	D (Outer Diameter)	Number of reducers
phi 5/8"	phi 3/4"	1

9-1. General cautions

- ① Follow ordinance of your governmental organization for technical standard related to electrical equipment, wiring regulations, and guidance of each electric power company.
- ② Wiring for control (hereinafter referred to as transmission cable) shall be (50mm[1-5/8in] or more) apart from power source wiring so that it is not influenced by electric noise from power source wiring. (Do not insert transmission cable and power source wire in the same conduit.)
- ③ Be sure to provide designated grounding work to outdoor unit.
- ④ Give some allowance to wiring for electrical part box of indoor and outdoor units, because the box is sometimes removed at the time of service work.
- ⑤ Never connect 100V, 208~230V power source to terminal block of transmission cable. If connected, electrical parts will be damaged.
- ⑥ Use 2-core shield cable for transmission cable. If transmission cables of different systems are wired with the same multiplecore cable, the resultant poor transmitting and receiving will cause erroneous operations.
- ⑦ When extending the transmission line, make sure to extend the shield cable as well.



9-2. Power cable specifications

Thickness of Wire for Main Power Supply and On/Off Capacities
 <When power is supplied separately>

Model	Power Supply	Minimum Wire Thickness (mm ² [AWG])		Conduit size	Breaker for Wiring*1	Breaker for Current Leakage (if you use)	Minimum circuit ampacity	Maximum rating of over current protector device	
		Main cable *2	Ground						
Outdoor Unit	36/48NL	208/230 VAC, 60 Hz	5.3 [AWG10]	5.3 [AWG10]	1 *3	30 A	30A 30mA 0.1sec. or less	36 A	64 A
	36/42/48NLHZ		8.4 [AWG8]	8.4 [AWG8]	1 *3	40 A	40A 30mA 0.1sec. or less	45 A	80 A
	60NL		8.4 [AWG8]	8.4 [AWG8]	1 *3	40 A	40A 30mA 0.1sec. or less	45 A	80 A
Branch Box		Refer to installation manual of indoor unit.							

<When power is supplied from the outdoor unit>

Model	Power Supply	Minimum Wire Thickness (mm ² [AWG])		Conduit size	Breaker for Wiring*1	Breaker for Current Leakage (if you use)	Minimum circuit ampacity	Maximum rating of over current protector device	
		Main cable *2	Ground						
Outdoor Unit	36/48NL	208/230 VAC, 60 Hz	8.4 [AWG8]	8.4 [AWG8]	1 *3	40 A	40A 30mA 0.1sec. or less	42 A	70 A
	36/42/48NLHZ		13.3 [AWG6]	13.3 [AWG6]	1	45 A	45A 30mA 0.1sec. or less	51 A	86 A
	60NL		13.3 [AWG6]	13.3 [AWG6]	1	50 A	50A 30mA 0.1sec. or less	55 A	90 A
Branch Box		Refer to installation manual of indoor unit.							

*1 Please follow applicable federal, state, or local codes to prevent potential leakage/electric shock. Or install a ground fault interrupt for the prevention of leakage and electric shock.

IMPORTANT
 If a current leakage breaker is used, it should be compatible with higher harmonics as this unit is equipped with an inverter. The use of an inadequate breaker can cause the incorrect operation of inverter.

*2 Use copper supply wires. Use the electric wires over the rating voltage 300 V.

*3 Although the conduit size is larger than the size specified for the wire thickness according to UL standards, use a conduit size of 1 inch.

Total operating current of the indoor unit	Minimum Wire Thickness (mm ² [AWG])			Ground-fault interrupter *1 (if you use)	Local switch (A)		Breaker for wiring (NFB)
	Main cable	Branch	Ground		Capacity	Fuse	
F0 = 15 or less *2	2.1/14	2.1/14	2.1/14	15A current sensitivity *3	15	15	15
F0 = 20 or less *2	3.3/12	3.3/12	3.3/12	20A current sensitivity *3	20	20	20
F0 = 30 or less *2	5.3/10	5.3/10	5.3/10	30A current sensitivity *3	30	30	30

Apply to IEC61000-3-3 about max. permissive system impedance.

*1 The Ground-fault interrupter should support inverter circuit.
 The Ground-fault interrupter should combine using of local switch or wiring breaker.

*2 Please take the larger of F1 or F2 as the value for F0.

F1 = Total operating maximum current of the indoor units × 1.2

F2 = {V1 × (Quantity of Type1)/C} + {V1 × (Quantity of Type2)/C} + {V1 × (Quantity of Type3)/C} + {V1 × (Quantity of Type4)/C} + ... + {V1 × (Quantity of Type13)/C}

Indoor unit	V1	V2
Type 1 PEAD-AA-NL	30.5	2.4
Type 2 SVZ-AP-NL, PAA-AA/BA/CA-NL	26.9	
Type 3 SEZ-AD-NL	18.6	3.4
Type 4 PLA-AE-NL, SLZ-AF*NL	17.1	
Type 5 MLZ-KX-NL	10.8	2.4
Type 6 MSZ-FX-NL, MSZ-GX-NL, MFZ-KX-NL	7.4	
Type 7 Branch box	5.1	3.0
Type 8 PVFY-L-NAMU	38.0	1.6
Type 9 PEFY-L-NMAU	30.5	
Type 10 PCFY-L-NKMU	19.8	2.4
Type 11 PEFY-L-NMSU	18.6	
Type 12 PLFY-EL-NEMU, PLFY-L-NFMU	17.1	2.4
Type 13 PKFY-L-NKMU, PKFY-L-NLMU	9.9	

C: Multiple of tripping current at tripping time 0.01s
 Please pick up "C" from the tripping characteristic of the breaker.

<Example of "F2" calculation>

* Condition PEFY-NMSU × 4 + PEFY-NMAU × 1, C = 8 (refer to right sample chart)

$$F2 = 18.6 \times 4/8 + 30.5 \times 1/8 = 13.11$$

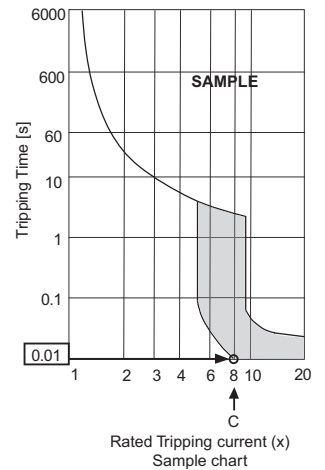
→ 16 A breaker (Tripping current = 8 × 16 A at 0.01 s)

*3 Current sensitivity is calculated using the following formula.

$$G1 = V2 \times (\text{Quantity of Type1}) + V2 \times (\text{Quantity of Type2}) + V2 \times (\text{Quantity of Type3}) + \dots + V2 \times (\text{Quantity of Type13}) + V3 \times (\text{Wire length [km]})$$

G1	Current sensitivity
30 or less	30 mA 0.1sec or less
100 or less	100 mA 0.1sec or less

Wire thickness (mm ² /AWG)	V3
2.1/14	48
3.3/12	56
5.3/10	66



1. Use a separate power supply for the outdoor unit and indoor unit.
2. Bear in mind ambient conditions (ambient temperature, direct sunlight, rain water, etc.) when proceeding with the wiring and connections.
3. The wire size is the minimum value for metal conduit wiring. The power cord size should be 1 rank thicker consideration of voltage drops. Make sure the power-supply voltage does not drop more than 10%.
4. Specific wiring requirements should adhere to the wiring regulations of the region.
5. Power supply cords of parts of appliances for outdoor use shall not be lighter than polychloroprene sheathed flexible cord (design 60245 IEC57). For example, use wiring such as YZW.
6. Install an earth longer than other cables.

⚠ WARNING

- ◆ Be sure to use specified wires to connect so that no external force is imparted to terminal connections. If connections are not fixed firmly, it may cause heating or fire.
- ◆ Be sure to use the appropriate type of overcurrent protection switch. Note that generated overcurrent may include some amount of direct current.
- ◆ Turn on main power when the ambient temperature is -20 °C (-4 °F) or higher.
- ◆ In below -20 °C (-4 °F), it needs at least 12hr stand by before the units operate in order to warm the electrical parts.

⚠ CAUTION

- ◆ Some installation site may require attachment of an earth leakage breaker. If no earth leakage breaker is installed, it may cause an electric shock.
- ◆ Do not use anything other than breaker and fuse with correct capacity. Using fuse and wire or copper wire with too large capacity may cause a malfunction of unit or fire.

IMPORTANT

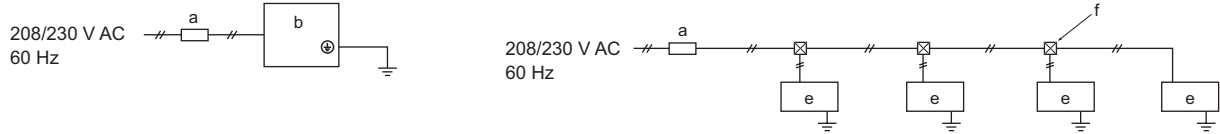
Make sure that the current leakage breaker is one compatible with higher harmonics.
Always use a current leakage breaker that is compatible with higher harmonics as this unit is equipped with an inverter.
The use of an inadequate breaker can cause the incorrect operation of inverter.

Never splice the power cable or the indoor-outdoor connection cable, otherwise it may result in a smoke, a fire or communication failure.

9-3. Power supply examples

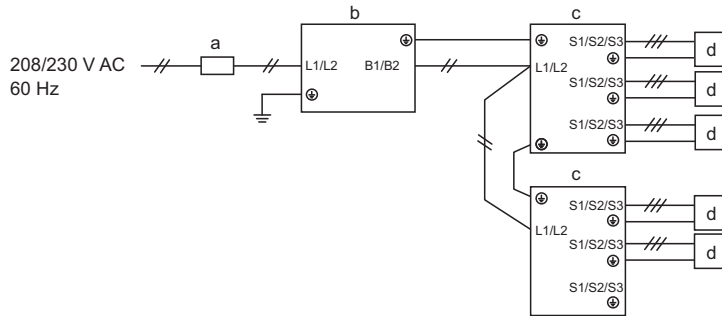
The local standards and/or regulations is applicable at a higher priority.

■ Without a branch box

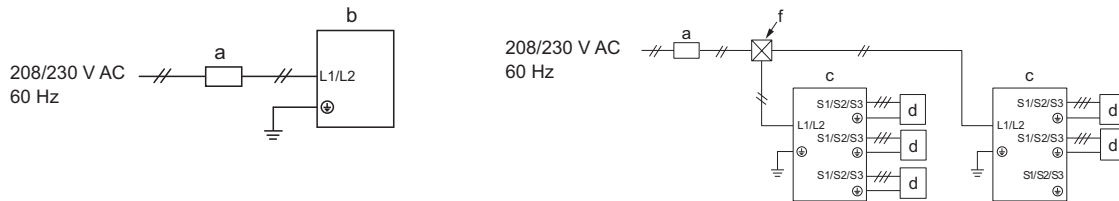


■ With a branch box

When power is supplied from an outdoor unit



When power is supplied separately



- a. Switch (Ground fault circuit interrupter)
- b. Outdoor unit
- c. Branch box
- d. A-Control indoor unit (M, S, P series indoor unit)
- e. City multi series indoor unit
- f. Pull box

Note:

- A separate power supply is required for the City Multi indoor unit, as it cannot be powered by an outdoor unit.

10-1. Transmission cable length limitation

10-1-1. Group operation system with 2 or more OCs and MA-RC

Wiring methods for the operation example shown below

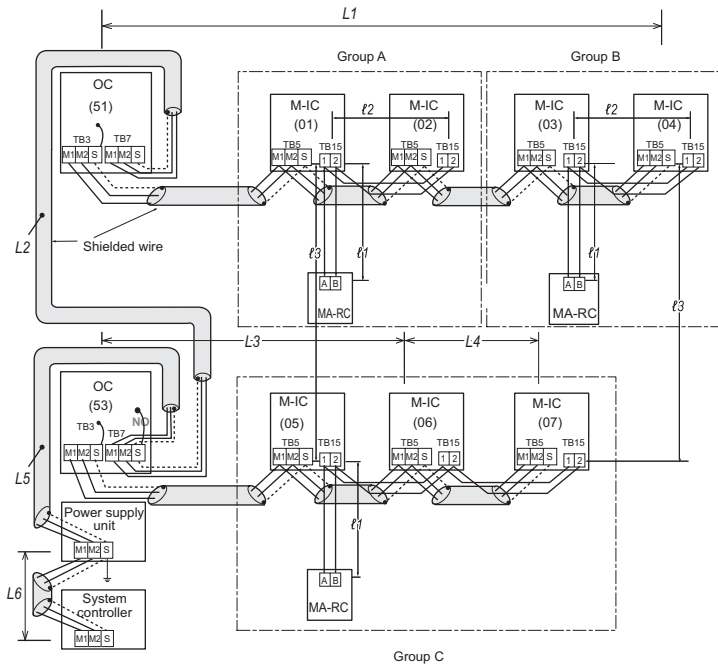
- Always use shielded wires when making connections between OC and M-IC, OC and OC, or M-IC and M-IC wiring.
- Use feed wiring to connect the terminals M1, M2, and S on TB3 of OC to the terminals M1, M2, and S on TB5 of M-IC.
- Connect the terminals 1 and 2 on TB15 of M-IC to the terminal block on the MA-RC. Use non-polarized 2-core wires.
- Connect the terminals M1, M2, and S on TB7 of each OC.
- Do not change the jumper connector CN41 on the outdoor multi controller circuit board.
- Grounding with the terminal S on TB7 is unnecessary. Connect the terminal S on the power supply unit to ground.
- Address settings (on the outdoor unit PCB) are required.

Permissible length

Section	Length	Diameter
Maximum line length via OC (L1+L2+L3+L4, L1+L2+L5+L6)	≤ 1640 ft [500 m]	AWG 16 [1.25 mm ²] or more
Maximum length between M-IC and OC (L1, L3+L4, L2+L5, L6)	≤ 656 ft [200 m]	AWG 16 [1.25 mm ²] or more

Address setting on PCB

Unit	Range	Remarks
Main M-IC	001 to 050	Use the smallest address in the M-ICs in the same group.
Sub M-IC	001 to 050	The address must be in sequence with the main M-IC address.
OC	051 to 100	Add 50 to the smallest M-IC address. The address is automatically set to "100" if "01-50" is entered.
MA-RC	-	Address setting is not necessary.



MXZ-SM-NL-U1, MXZ-SM-NL-HZ-U1

10-1-2. Operation system with BC and A-IC

Wiring methods for the operation example shown below

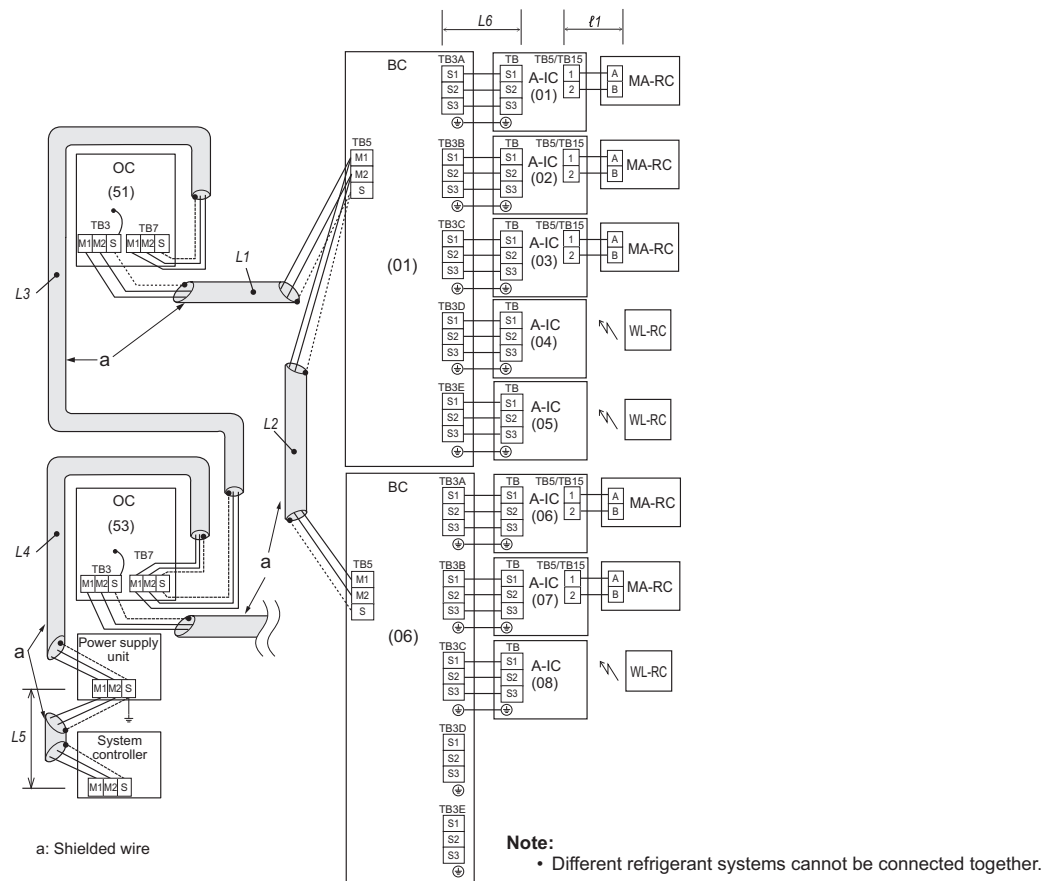
- Always use shielded wire when making connections between OC and BC or OC and OC wiring.
- Use feed wiring to connect the terminals M1, M2, and S on TB3 of OC to the terminals M1, M2, and S on TB5 of BC.
- Connect the terminals 1 and 2 on TB5/TB15 of A-IC to the terminal block on the MA-RC. Use non-polarized 2-core wires.
- Connect the terminals M1, M2, and S on TB7 of each OC.
- Do not change the jumper connector CN41 on the outdoor multi controller circuit board.
- Grounding with the terminal S on TB7 is unnecessary. Connect the terminal S on the power supply unit to ground.
- Address settings (on the outdoor unit PCB) are required.

Permissible length

Section	Length	Diameter
Maximum line length via OC (L1+L2+L3+L4+L5)	≤ 1640 ft [500 m]	AWG 16 [1.25 mm ²] or more
Maximum length between BC and OC (L1+L2, L3+L4, L5)	≤ 656 ft [200 m]	AWG 16 [1.25 mm ²] or more
Maximum length between BC and A-IC (L6)	≤ 82 ft [25 m]	AWG 16 [1.25 mm ²]
Length between A-IC and remote controller (ℓ1)	≤ 656 ft [200 m]	AWG 22 to AWG 16 [0.3 to 1.25 mm ²]*

Address setting on PCB

Unit	Range	Remarks
BC	001 to 050	Decide the BC address so that the address of the port does not exceed 50.
A-IC (Ports on BC)	001 to 050	Set addresses to the ports on BC where an A-IC is connected. The address of the first port is the same as that of BC, and the addresses of the other ports are set in sequence. For example, when 5 A-ICs are connected and the BC address (the first port address) is set to 01, the other port addresses are 02, 03, 04, and 05.
OC	051 to 100	Add 50 to the BC address. The address is automatically set to "100" if "01-50" is entered.
MA-RC	-	Address setting is not necessary.



10-2. Transmission cable specifications

	Transmission cables (Li)	MA Remote controller cables
Type of cable	Shielding wire (2-core) CVVS, CPEVS or MVVS	Sheathed 2-core cable (unshielded) CVV
Cable size	More than 1.25mm ² [AWG16]	0.3 ~ 1.25mm ² [AWG22~16]*1
Remarks	—	Max length : 200m [656ft]

*1 To wire PAR-CT01MAU, PAR-42MAAUB, and PAC-YT53CRAU, use a wire with a diameter of 0.3 mm² [AWG22]

CVVS, MVVS: PVC insulated PVC sheathed shielded control cable
CPEVS: PE insulated PVC sheathed shielded communication cable
CVV: PVC insulated PVC sheathed control cable

10-3. System configuration restrictions

10-3-1. Common restrictions for the CITY MULTI indoor unit system

For each Outdoor/Heat source unit, the maximum connectable quantity of Indoor unit is specified at its Specifications table.

- A) 1 Group of Indoor units can have 1-16 Indoor units;
- B) Maximum 2 remote controllers for 1 group;
 - *When a PAR-CT01MAU or PAR-42MAAUB is connected to a group, no other MA remote controllers can be connected to the same group.
 - *To wire PAR-CT01MAU, PAR-42MAAUB, and PAC-YT53CRAU, use a wire with a size of 0.3 mm² [AWG22].
- C) 1 Lossnay unit can interlock maximum 16 Indoor units; 1 Indoor unit can interlock only 1 Lossnay unit.
- D) Maximum 3 System controllers are connectable when connecting to TB3 of the Outdoor/Heat source unit.
- E) A maximum of 6 system controller are connectable to TB3 and TB7 of Outdoor/Heat source unit.
- F) 4 System controllers or more are connectable when connecting to TB7 of the Outdoor/Heat source unit, if the transmission power is supplied by the power supply unit PAC-SC51KUA.
 - *System controller connected as described in D) would have a risk that the failure of connected Outdoor/Heat source unit would stop power supply to the System controller.
- G) Wireless remote controller (PAR-FL32MA-E) and wired MA remote controllers (PAR-CT01MAU, PAR-42MAAUB, and PAC-YT53CRAU) cannot be used together within the same group that includes multiple indoor units.

10-3-2. Ensuring proper communication power and the number of connected units for M-NET

In order to ensure proper communication among Outdoor/Heat source unit, Indoor unit, and Controllers, the transmission power situation for the M-NET should be observed. In some cases, Transmission booster should be used.

Taking the power consumption of Indoor unit as 1, the equivalent power consumption or supply of others are listed at Table 1 and Table 2.

Both the transmission line for centralized controller and indoor-outdoor transmission line must meet the conditions listed below. (Both conditions a) and b) must be met.)

- a) [Total equivalent power consumption] ≤ [The equivalent power supply]
- b) [Total equivalent number of units (Table1)] ≤ [40]

Table 1 The equivalent power consumption and the equivalent number of units

Category	Model	The equivalent power consumption	The equivalent number of units
Indoor unit	Sized 05-96	1	1
MA remote controller/Lossnay	PAR-CT01MAU PAR-42MAAUB PAC-YT53CRAU PAR-FA32MA 20MA	0	0
System controller	AE-C400A EW-C50A TE-C400A TW-C50A	0	0
MN converter	CMS-MNG-E	2	1
Outdoor/Heat source unit	TB7 power consumption	0	0
System control interface	MAC-333IF-E	0	0
Power Supply Interface for Alarm kit	PAC-IF55AL-E	0.75	1
M-NET Branch box	PAC-LMA30/50BC	7 (when more than one indoor unit is connected: 1.5)	6

Table 2 The equivalent power supply

Category	Model	The equivalent power supply		
Transmission Booster	PAC-SF46EPA-G	25 *1		
Power supply unit	PAC-SC51KUA	5		
System controller	AE-C400A EW-C50A TE-C400A TW-C50A	0.75		
M-NET Branch box	PAC-LMA30/50BC	0		
Outdoor/Heat source unit		TB3 and TB7 total	TB7 only	TB3 only
	Outdoor unit other than the following units *2	32 *1	6	32*1 - equivalent power supplied to TB7
	S-Series outdoor unit	12 *1	0	12 *1
	TLMU/TKMU outdoor unit	32 *1	- *3	32 *1

*1 When one or more indoor units listed below is connected, subtract 3 from the equivalent power supply.

Table 3

Category	Model
Indoor unit	Sized 72, 96

*2 If PAC-SC51KUA is used to supply power at TB7 side, no power supply need from Outdoor/Heat source unit at TB7, Connector TB3 itself will therefore have 32.

With the equivalent power consumption values and the equivalent number of units in Table 1 and Table 2, PAC-SF46EPA-G can be designed into the air-conditioner system to ensure proper system communication according to (A), (B), (C).

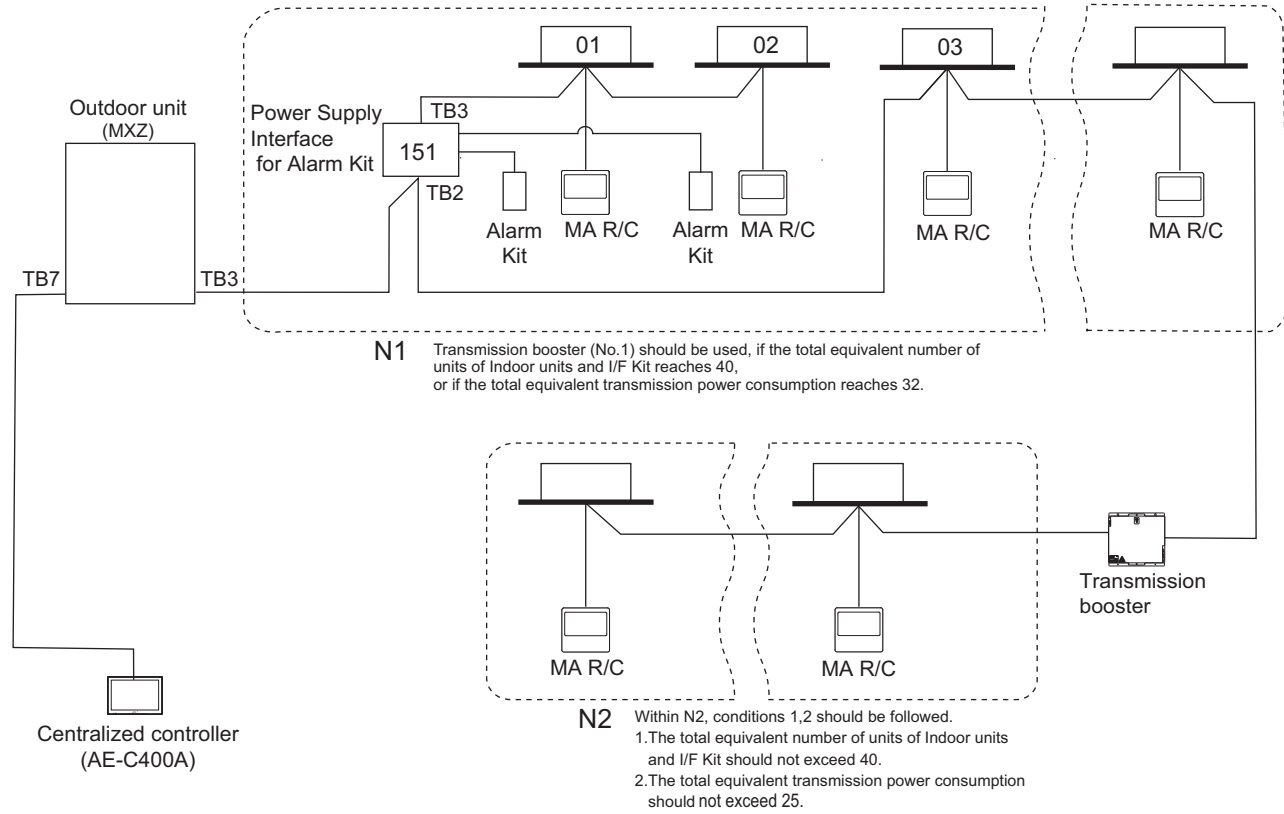
- (A) Firstly, start counting from TB3 side at TB3 to count the total equivalent number of units of indoor units, ME remote controller, and System controllers at TB3. Set a PAC-SF46EPA-G when the total equivalent number of units reaches 40.
- (B) Secondly, count from TB7 side to TB3 side the total transmission power consumption. If the total equivalent power supply reaches 32, a PAC-SF46EPA-G should be set. However, if a controller with a built-in power supply, such as a PAC-SC51KUA, is used to supply power at TB7 side, count from TB3 side only.
- (C) Finally, count from TB7 at TB7 side the total transmission power consumption, If the total equivalent power supply for only TB7 reaches 6, a PAC-SF46EPA-G should be set. Also, count from TB7 at TB7 side the total equivalent number of units of System controllers, and so on. If the total equivalent number of units reaches 40, a PAC-SF46EPA-G should be set.

* The equivalent power supply of S-Series outdoor unit is 12.

* When one or more indoor units listed in Table 3 is connected, subtract 3 from the equivalent power supply.

■ System example

MXZ-SM-NL-U1, MXZ-SM-NLHZ-U1



10-3-3. Ensuring proper power supply to System controller

System controllers (AE-C400A, EW-C50A, TE-C400A, TW-C50A) have a built-in function to supply power to the M-NET transmission lines, so no power needs to be supplied to the M-NET transmission lines from the Outdoor/Heat source units or from PAC-SC51KUA.

⚠ CAUTION

- How to connect system controllers (AE-C400A, EW-C50A, TE-C400A, TW-C50A) to a given system
- System controllers (AE-C400A, EW-C50A, TE-C400A, TW-C50A) have a built-in function to supply power to the M-NET transmission lines, so no power needs to be supplied to the M-NET transmission lines from the Outdoor/Heat source units or from PAC-SC51KUA. Leave the power supply connector on the Outdoor/Heat source unit connected to CN41 as it is.

10-3-4. Power supply to AE-C400A/EW-C50A/TE-C400A/TW-C50A

- 1-phase 100-240VAC power supply is needed.
- The power supply unit PAC-SC51KUA is not necessary when connecting only the AE-200A/AE-50A/EW-50A.

10-3-5. Power supply to Power Supply Interface for Alarm Kit

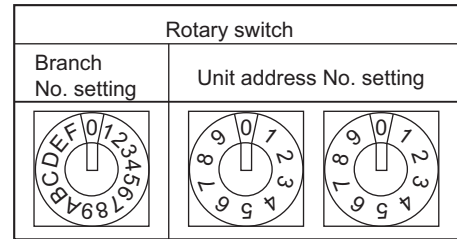
- 1-phase 208-230VAC power supply is needed.
- Up to 8 indoor units can be connected under Power Supply Interface for Alarm Kit.

10-4. Address setting

10-4-1. Switch operation

In order to constitute CITY MULTI indoor units in a complete system, switch operation for setting the unit address No. and connection No. is required.

- ① Address No. of outdoor unit and indoor unit.
The address No. is set at the address setting board.



- ② Caution for switch operations

- Be sure to shut off power source before switch setting. If operated with power source on, switch can not operate properly.
- No units with identical unit address shall exist in one whole air conditioner system. If set erroneously, the system can not operate.

- ③ MA remote controller

- When connecting only one remote controller to one group, it is always the main remote controller. When connecting two remote controllers to one group, set one remote controller as the main remote controller and the other as the sub remote controller.
- The factory setting is "Main".

PAR-CT01MAU

The MA remote controller does not have the switches listed above.
Refer to the installation manual for the function setting.


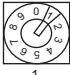

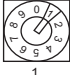
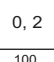
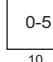
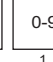
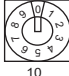
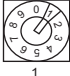
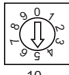
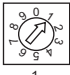
PAC-YT53CRAU

Setting the dip switches

There are switches on the back of the top case. Remote controller Main/Sub and other function settings are performed using these switches. Ordinarily, only change the Main/Sub setting of SW1.
(The factory settings are ON for SW1, 3, and 4 and OFF for SW2.)

SW No	SW contents Main	ON	OFF	Comment
1	Remote controller Main/Sub setting	Main	Sub	Set one of the two remote controllers at one group to "ON".
2	Temperature display units setting	Celsius	Fahrenheit	When the temperature is displayed in [Fahrenheit], set to "OFF".
3	Cooling/heating display in AUTO mode	Yes	No	When you do not want to display "Cooling" and "Heating" in the AUTO mode, set to "OFF".
4	Indoor temperature display	Yes	No	When you do not want to display the indoor temperature, set to "OFF".

10-4-2. Rule of setting address

Unit	Address setting	Example	Note
Indoor unit System control interface (MAC-333IF-E)	01 ~ 50	 	Use the most recent address within the same group of indoor units.
Outdoor unit	51 ~ 99, 100 (Note1)	 	The smallest address of indoor unit in same refrigerant system + 50 Assign sequential address numbers to the outdoor units in one refrigerant circuit system. OC and OS are automatically detected. (Note 2) *Please reset one of them to an address between 51 and 99 when two addresses overlap. *The address automatically becomes "100" if it is set as "01~ 50"
System controller AE-C400A EW-C50A TE-C400A TW-C50A	000, 201 ~ 250	  	
M-NET Branch box	01 ~ 50	 	Use the most recent address within the same group of indoor units.
Power Supply Interface for Alarm Kit	151 ~ 199, 200	1 Fixed  	The address automatically becomes "200" if it is set as "50".

Note1: To set the address to "100", set it to "50"

Note2: Outdoor units OC and OS in one refrigerant circuit system are automatically detected.

OC and OS are ranked in descending order of capacity. If units are the same capacity, they are ranked in ascending order of their address.

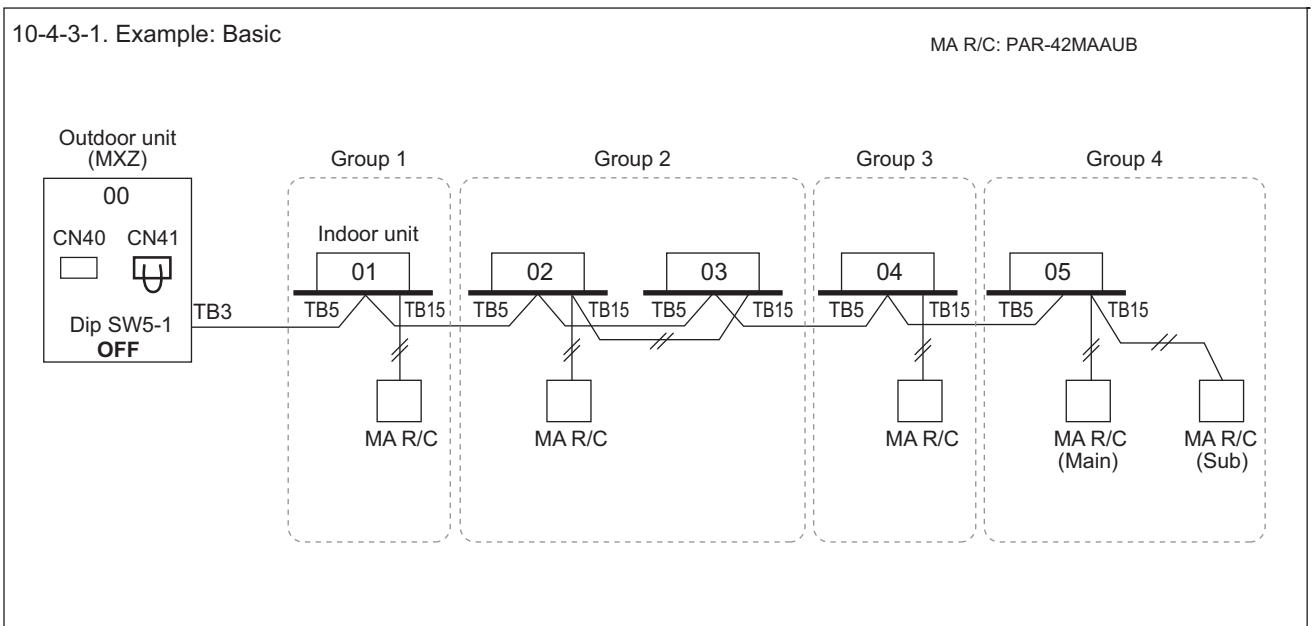
10-4-3. System example

Factory setting

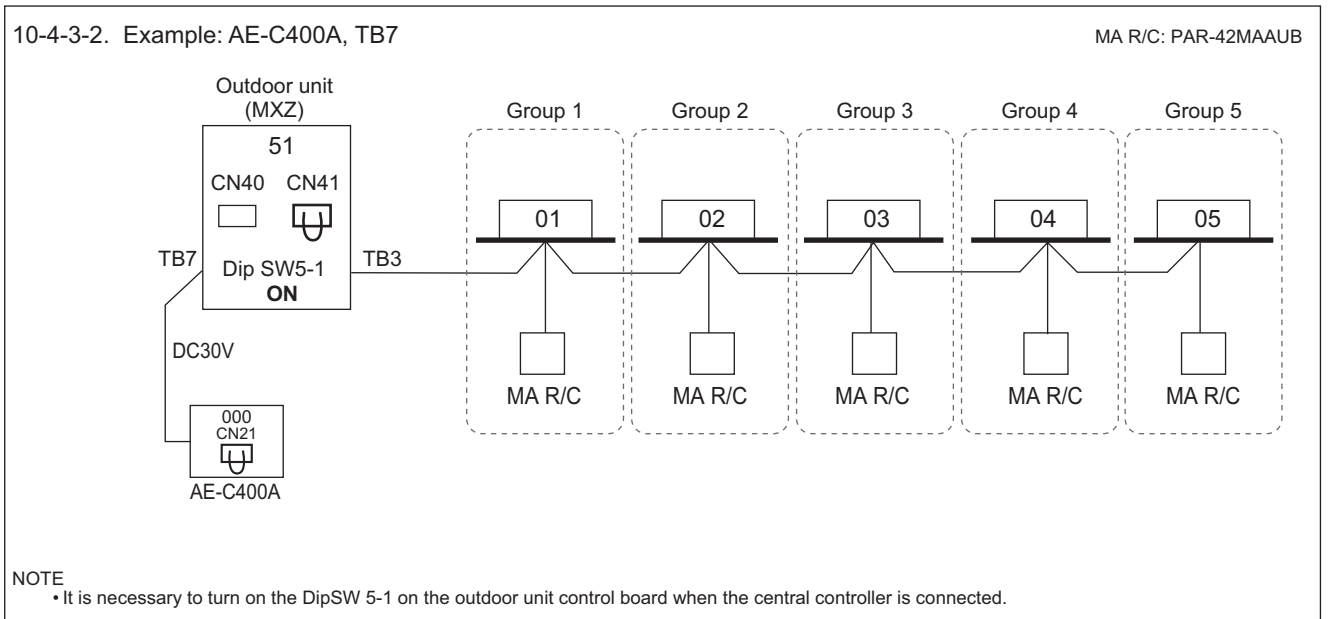
Original switch setting of the outdoors, indoors, Power Supply Interface for Alarm Kit at shipment is as follows.

- Outdoor unit : Address: 00, CN41: ON (Jumper), Dip SW5-1: OFF
- Indoor unit : Address: 00
- Power Supply Interface for Alarm Kit : Address: 00

10-4-3-1. Example: Basic



10-4-3-2. Example: AE-C400A, TB7

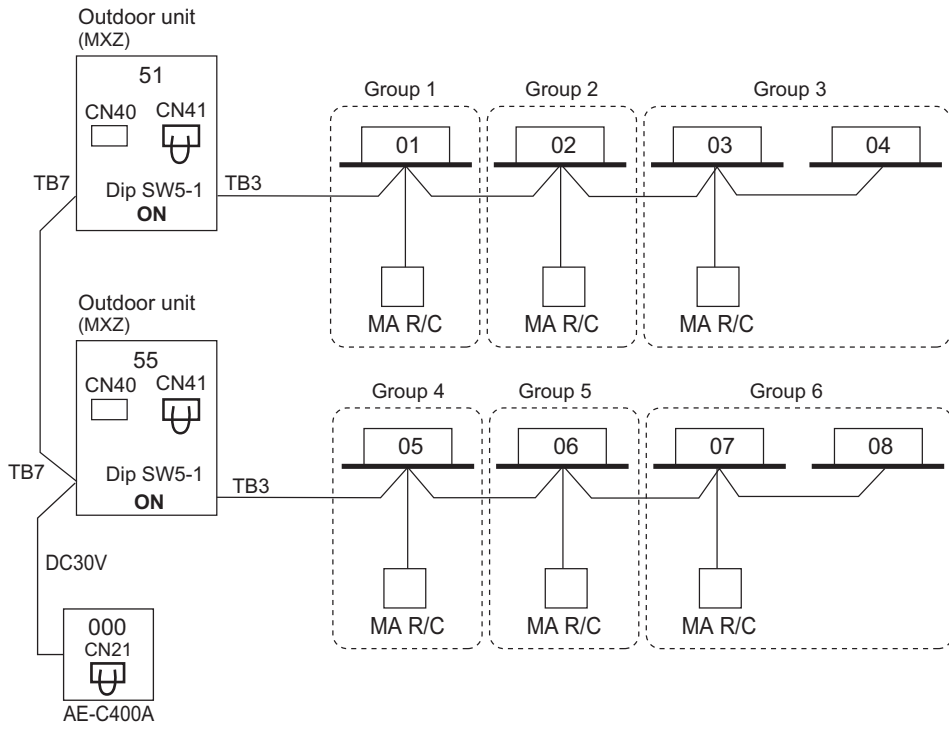


NOTE

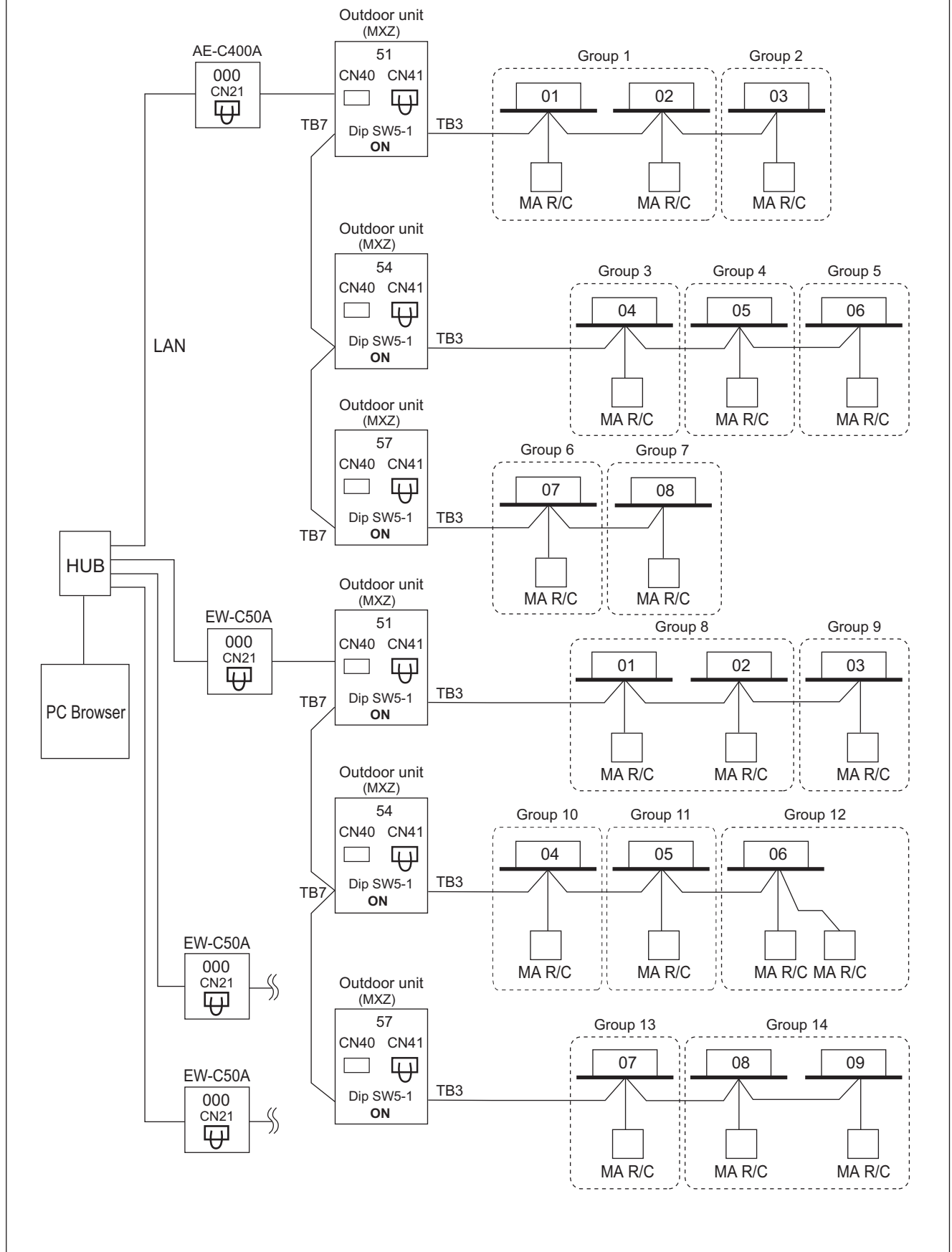
- It is necessary to turn on the DipSW 5-1 on the outdoor unit control board when the central controller is connected.

MXZ-SM-NL-U1, MXZ-SM-NLHZ-U1

10-4-3-3. Example: 2 Outdoor unit, AE-C400A, MA



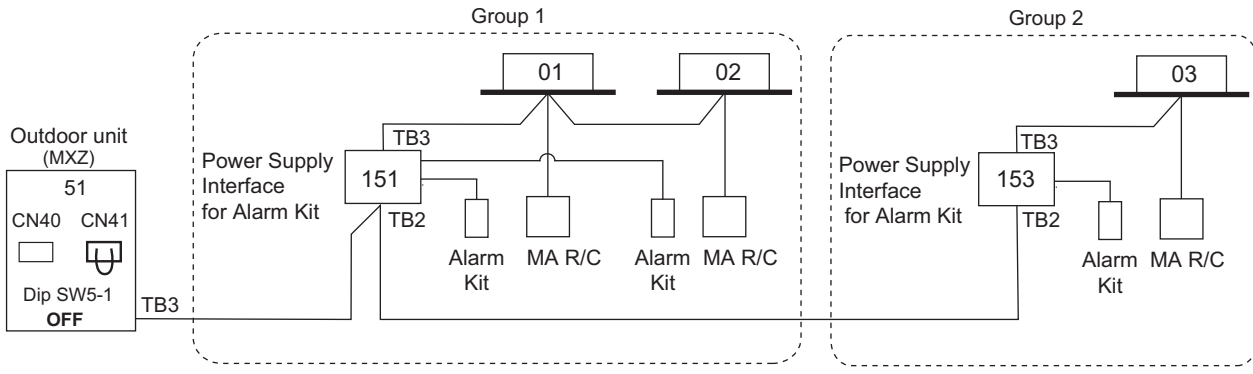
10-4-3-4. AE-C400A+EW-C50A
 AE-C400A can control max. 200 indoor units/via EW-C50A.



MXZ-SM-NL-U1, MXZ-SM-NLHZ-U1

MXZ-SM-NL-U1, MXZ-SM-NLHZ-U1

10-4-3-5. Power Supply Interface for Alarm Kit



11-1. R454B Piping material

The maximum operation pressure of R454B air conditioner is 4.15 MPa [601 psi]. The refrigerant piping should ensure the safety under the maximum operation pressure. You shall follow the local industrial standard.

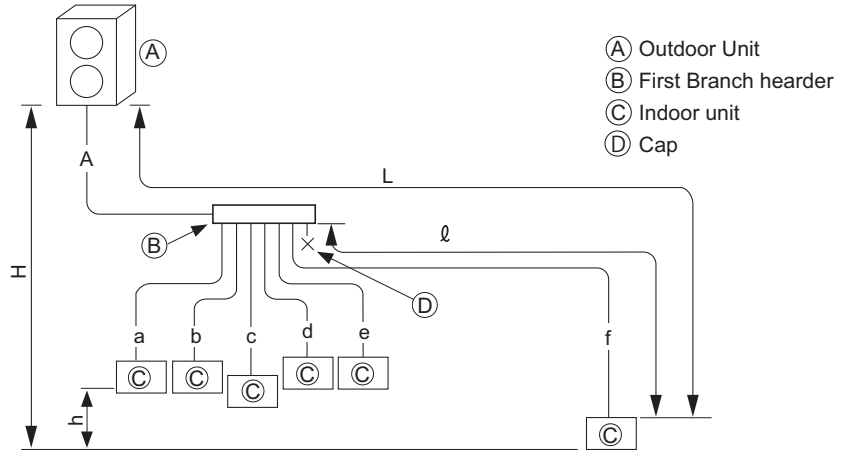
11-2. Piping Design

11-2-1. MXZ-SM36/48NL-U1

<p>Line-Branch Method Connection Examples (Connecting to 5 Indoor Units)</p>																													
<p>Permissible length</p>	<table border="1"> <tr> <td>Total piping length</td> <td>$A+B+C+D+a+b+c+d+e \leq 784 \text{ ft [240 m]}$</td> </tr> <tr> <td>Farthest piping length (L)</td> <td>$A+B+C+D+e \leq 262 \text{ ft [80 m]}$</td> </tr> <tr> <td>Farthest piping length after first branch (ℓ)</td> <td>$B+C+D+e \leq 98 \text{ ft [30 m]}$</td> </tr> </table>	Total piping length	$A+B+C+D+a+b+c+d+e \leq 784 \text{ ft [240 m]}$	Farthest piping length (L)	$A+B+C+D+e \leq 262 \text{ ft [80 m]}$	Farthest piping length after first branch (ℓ)	$B+C+D+e \leq 98 \text{ ft [30 m]}$																						
Total piping length	$A+B+C+D+a+b+c+d+e \leq 784 \text{ ft [240 m]}$																												
Farthest piping length (L)	$A+B+C+D+e \leq 262 \text{ ft [80 m]}$																												
Farthest piping length after first branch (ℓ)	$B+C+D+e \leq 98 \text{ ft [30 m]}$																												
<p>Permissible height difference</p>	<table border="1"> <tr> <td>Height difference between outdoor unit and indoor unit (H)</td> <td>When the outdoor unit is set higher than indoor units: 164 ft [50 m] When the outdoor unit is set lower than indoor units : 131 ft [40 m] (98 ft [30 m]*) * When PKFY-L04/06/08/12NLMU is included.</td> </tr> <tr> <td>Height difference between indoor units (h)</td> <td>49 ft [15 m]</td> </tr> </table>	Height difference between outdoor unit and indoor unit (H)	When the outdoor unit is set higher than indoor units: 164 ft [50 m] When the outdoor unit is set lower than indoor units : 131 ft [40 m] (98 ft [30 m]*) * When PKFY-L04/06/08/12NLMU is included.	Height difference between indoor units (h)	49 ft [15 m]																								
Height difference between outdoor unit and indoor unit (H)	When the outdoor unit is set higher than indoor units: 164 ft [50 m] When the outdoor unit is set lower than indoor units : 131 ft [40 m] (98 ft [30 m]*) * When PKFY-L04/06/08/12NLMU is included.																												
Height difference between indoor units (h)	49 ft [15 m]																												
<p>■ Selecting the Refrigerant Branch Kit Use an optional branch piping kit (CMY-Y62-G-E).</p>																													
<p>■ Select Each Section of Refrigerant Piping</p> <p>(1) Section From Outdoor Unit to First Branch (A) (2) Sections From Branch to Indoor Unit (a,b,c,d) (3) Section From Branch to Branch (B,C)</p> <p>Each Section of Piping</p> <p>Select the size from the table to the right.</p>	<table border="1"> <tr> <td colspan="2">(1) Refrigerant Piping Diameter In Section From Outdoor Unit to First Branch (Outdoor Unit Piping Diameter)</td> <td colspan="2">(2) Refrigerant Piping Diameter In Section From Branch to Indoor Unit (Indoor Unit Piping Diameter)</td> </tr> <tr> <td>Model</td> <td>Piping Diameter (inch [mm])</td> <td>Model number</td> <td>Piping Diameter (inch [mm])</td> </tr> <tr> <td rowspan="2">MXZ-SM36/48NL</td> <td>Liquid Line</td> <td rowspan="2">18 or lower</td> <td>Liquid Line</td> <td>1/4 [ø6.35]</td> </tr> <tr> <td>Gas Line</td> <td>Gas Line</td> <td>1/2 [ø12.7]</td> </tr> <tr> <td rowspan="2"></td> <td>Liquid Line</td> <td rowspan="2">24 to 54</td> <td>Liquid Line</td> <td>3/8 [ø9.52]</td> </tr> <tr> <td>Gas Line</td> <td>Gas Line</td> <td>5/8 [ø15.88]</td> </tr> </table> <p>(3) Refrigerant Piping Diameter In Section From Branch to Branch</p> <table border="1"> <tr> <td>Liquid Line (inch [mm])</td> <td>Gas Line (inch [mm])</td> </tr> <tr> <td>3/8 [ø9.52]</td> <td>5/8 [ø15.88]</td> </tr> </table>	(1) Refrigerant Piping Diameter In Section From Outdoor Unit to First Branch (Outdoor Unit Piping Diameter)		(2) Refrigerant Piping Diameter In Section From Branch to Indoor Unit (Indoor Unit Piping Diameter)		Model	Piping Diameter (inch [mm])	Model number	Piping Diameter (inch [mm])	MXZ-SM36/48NL	Liquid Line	18 or lower	Liquid Line	1/4 [ø6.35]	Gas Line	Gas Line	1/2 [ø12.7]		Liquid Line	24 to 54	Liquid Line	3/8 [ø9.52]	Gas Line	Gas Line	5/8 [ø15.88]	Liquid Line (inch [mm])	Gas Line (inch [mm])	3/8 [ø9.52]	5/8 [ø15.88]
(1) Refrigerant Piping Diameter In Section From Outdoor Unit to First Branch (Outdoor Unit Piping Diameter)		(2) Refrigerant Piping Diameter In Section From Branch to Indoor Unit (Indoor Unit Piping Diameter)																											
Model	Piping Diameter (inch [mm])	Model number	Piping Diameter (inch [mm])																										
MXZ-SM36/48NL	Liquid Line	18 or lower	Liquid Line	1/4 [ø6.35]																									
	Gas Line		Gas Line	1/2 [ø12.7]																									
	Liquid Line	24 to 54	Liquid Line	3/8 [ø9.52]																									
	Gas Line		Gas Line	5/8 [ø15.88]																									
Liquid Line (inch [mm])	Gas Line (inch [mm])																												
3/8 [ø9.52]	5/8 [ø15.88]																												
<p>■ Additional refrigerant charge</p>	<p>Refer to "11-3. Refrigerant charging calculation".</p>																												

MXZ-SM-NL-U1, MXZ-SM-NLHZ-U1

Header-Branch Method
Connection Examples
(Connecting to 6 Indoor Units)



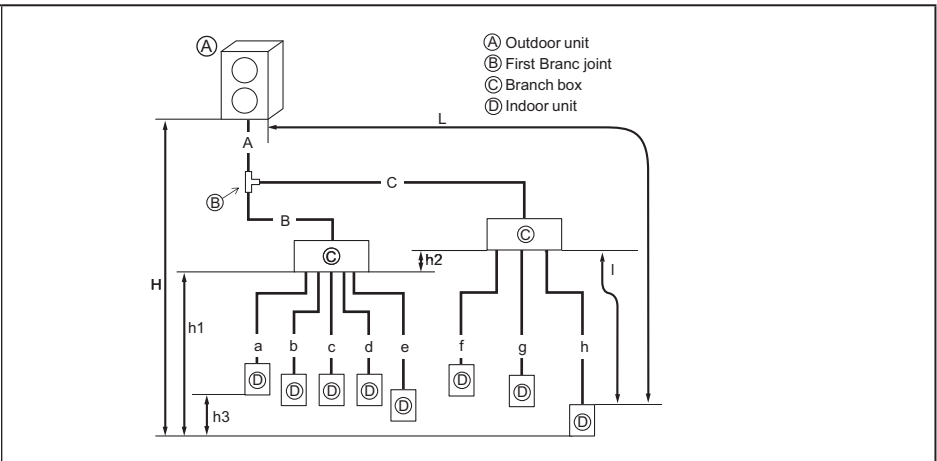
- (A) Outdoor Unit
- (B) First Branch header
- (C) Indoor unit
- (D) Cap

Permissible length	Total piping length	$A+a+b+c+d+e+f \leq 787 \text{ ft [240 m]}$														
	Farthest piping length (L)	$A+f \leq 262 \text{ ft [80 m]}$														
	Farthest piping length after first branch (l)	$d \leq 98 \text{ ft [30 m]}$														
Permissible height difference	Height difference between outdoor unit and indoor unit (H)	When the outdoor unit is set higher than indoor units: 164 ft [50 m] When the outdoor unit is set lower than indoor units : 131 ft [40 m] (98 ft [30 m]*) * When PKFY-L04/06/08/12NLMU is included.														
	Height difference between Indoor units (h)	49 ft [15 m]														
<p>■ Selecting the Refrigerant Branch Kit</p>		<p>Please select branching kit, which is sold separately, from the table below. (The kit comprises sets for use with liquid pipes and for use with gas pipes.)</p> <table border="1" style="margin-left: auto; margin-right: auto;"> <tr> <td style="padding: 5px;">Branch header (4 branches)</td> <td style="padding: 5px;">Branch header (8 branches)</td> </tr> <tr> <td style="padding: 5px;">CMY-Y64-G-E</td> <td style="padding: 5px;">CMY-Y68-G-E</td> </tr> </table>		Branch header (4 branches)	Branch header (8 branches)	CMY-Y64-G-E	CMY-Y68-G-E									
Branch header (4 branches)	Branch header (8 branches)															
CMY-Y64-G-E	CMY-Y68-G-E															
<p>■ Select Each Section of Refrigerant Piping</p> <p>(1) Section From Outdoor Unit to First Branch (A) } Each Section of Piping (2) Sections From Branch to Indoor Unit (a,b,c,d)</p> <p>Select the size from the table to the right.</p>		<p>(1) Refrigerant Piping Diameter In Section From Outdoor Unit to First Branch (Outdoor Unit Piping Diameter)</p> <table border="1" style="margin-left: auto; margin-right: auto;"> <thead> <tr> <th>Model</th> <th>Piping Diameter (inch [mm])</th> </tr> </thead> <tbody> <tr> <td rowspan="2" style="text-align: center;">MXZ-SM36/48NL</td> <td>Liquid Line 3/8 [ø9.52]</td> </tr> <tr> <td>Gas Line 5/8 [ø15.88]</td> </tr> </tbody> </table> <p>(2) Refrigerant Piping Diameter In Section From Branch to Indoor Unit (Indoor Unit Piping Diameter)</p> <table border="1" style="margin-left: auto; margin-right: auto;"> <thead> <tr> <th>Model number</th> <th>Piping Diameter (inch [mm])</th> </tr> </thead> <tbody> <tr> <td rowspan="2" style="text-align: center;">18 or lower</td> <td>Liquid Line 1/4 [ø6.35]</td> </tr> <tr> <td>Gas Line 1/2 [ø12.7]</td> </tr> <tr> <td rowspan="2" style="text-align: center;">24 to 54</td> <td>Liquid Line 3/8 [ø9.52]</td> </tr> <tr> <td>Gas Line 5/8 [ø15.88]</td> </tr> </tbody> </table>		Model	Piping Diameter (inch [mm])	MXZ-SM36/48NL	Liquid Line 3/8 [ø9.52]	Gas Line 5/8 [ø15.88]	Model number	Piping Diameter (inch [mm])	18 or lower	Liquid Line 1/4 [ø6.35]	Gas Line 1/2 [ø12.7]	24 to 54	Liquid Line 3/8 [ø9.52]	Gas Line 5/8 [ø15.88]
Model	Piping Diameter (inch [mm])															
MXZ-SM36/48NL	Liquid Line 3/8 [ø9.52]															
	Gas Line 5/8 [ø15.88]															
Model number	Piping Diameter (inch [mm])															
18 or lower	Liquid Line 1/4 [ø6.35]															
	Gas Line 1/2 [ø12.7]															
24 to 54	Liquid Line 3/8 [ø9.52]															
	Gas Line 5/8 [ø15.88]															
<p>■ Additional refrigerant charge</p>		<p>Refer to "11-3. Refrigerant charging calculation".</p>														

<p>Method of Combined Branching of Lines and Headers Connection Examples (Connecting to 5 Indoor Units)</p>																		
<p>Permissible length</p>	<table border="1"> <tr> <td>Total piping length</td> <td>$A+B+C+a+b+c+d+e \leq 787 \text{ ft [240 m]}$</td> </tr> <tr> <td>Farthest piping length (L)</td> <td>$A+B+b \leq 262 \text{ ft [80 m]}$</td> </tr> <tr> <td>Farthest piping length after first branch (ℓ)</td> <td>$B+b \leq 98 \text{ ft [30 m]}$</td> </tr> </table>	Total piping length	$A+B+C+a+b+c+d+e \leq 787 \text{ ft [240 m]}$	Farthest piping length (L)	$A+B+b \leq 262 \text{ ft [80 m]}$	Farthest piping length after first branch (ℓ)	$B+b \leq 98 \text{ ft [30 m]}$											
Total piping length	$A+B+C+a+b+c+d+e \leq 787 \text{ ft [240 m]}$																	
Farthest piping length (L)	$A+B+b \leq 262 \text{ ft [80 m]}$																	
Farthest piping length after first branch (ℓ)	$B+b \leq 98 \text{ ft [30 m]}$																	
<p>Permissible height difference</p>	<p>When the outdoor unit is set Higher than indoor units: 164 ft [50 m] When the outdoor unit is set lower than indoor units : 131 ft [40 m] (98 ft [30 m]*) * When PKFY-L04/06/08/12NLMU is included.</p> <table border="1"> <tr> <td>Height difference between outdoor unit and indoor unit (H)</td> <td></td> </tr> <tr> <td>Height difference between indoor units (h)</td> <td>49 ft [15 m]</td> </tr> </table>	Height difference between outdoor unit and indoor unit (H)		Height difference between indoor units (h)	49 ft [15 m]													
Height difference between outdoor unit and indoor unit (H)																		
Height difference between indoor units (h)	49 ft [15 m]																	
<p>■ Selecting the Refrigerant Branch Kit</p>	<p>Please select branching kit, which is sold separately, from the table below. (The kit comprises sets for use with liquid pipes and for use with gas pipes.)</p> <table border="1"> <tr> <th>Branch Joint</th> <th>Branch Header (4 branches)</th> <th>Branch Header (8 branches)</th> </tr> <tr> <td>CMY-Y62-G-E</td> <td>CMY-Y64-G-E</td> <td>CMY-Y68-G-E</td> </tr> </table>	Branch Joint	Branch Header (4 branches)	Branch Header (8 branches)	CMY-Y62-G-E	CMY-Y64-G-E	CMY-Y68-G-E											
Branch Joint	Branch Header (4 branches)	Branch Header (8 branches)																
CMY-Y62-G-E	CMY-Y64-G-E	CMY-Y68-G-E																
<p>■ Select Each Section of Refrigerant Piping</p> <p>(1) Section From Outdoor Unit to First Branch (A) (2) Sections From Branch to Indoor Unit (a,b,c,d,e) (3) Section From Branch to Branch (B,C)</p> <p>Each Section of Piping</p> <p>Select the size from the table to the right.</p>	<p>(1) Refrigerant Piping Diameter In Section From Outdoor Unit to First Branch (Outdoor Unit Piping Diameter)</p> <table border="1"> <thead> <tr> <th>Model</th> <th>Piping Diameter (inch [mm])</th> </tr> </thead> <tbody> <tr> <td rowspan="2">MXZ-SM36/48NL</td> <td>Liquid Line 3/8 [ø9.52]</td> </tr> <tr> <td>Gas Line 5/8 [ø15.88]</td> </tr> </tbody> </table> <p>(2) Refrigerant Piping Diameter In Section From Branch to Indoor Unit (Indoor Unit Piping Diameter)</p> <table border="1"> <thead> <tr> <th>Model number</th> <th>Piping Diameter (inch [mm])</th> </tr> </thead> <tbody> <tr> <td rowspan="2">18 or lower</td> <td>Liquid Line 1/4 [ø6.35]</td> </tr> <tr> <td>Gas Line 1/2 [ø12.7]</td> </tr> <tr> <td rowspan="2">24 to 54</td> <td>Liquid Line 3/8 [ø9.52]</td> </tr> <tr> <td>Gas Line 5/8 [ø15.88]</td> </tr> </tbody> </table> <p>(3) Refrigerant Piping Diameter In Section From Branch to Branch</p> <table border="1"> <thead> <tr> <th>Liquid Line (inch [mm])</th> <th>Gas Line (inch [mm])</th> </tr> </thead> <tbody> <tr> <td>3/8 [ø9.52]</td> <td>5/8 [ø15.88]</td> </tr> </tbody> </table>	Model	Piping Diameter (inch [mm])	MXZ-SM36/48NL	Liquid Line 3/8 [ø9.52]	Gas Line 5/8 [ø15.88]	Model number	Piping Diameter (inch [mm])	18 or lower	Liquid Line 1/4 [ø6.35]	Gas Line 1/2 [ø12.7]	24 to 54	Liquid Line 3/8 [ø9.52]	Gas Line 5/8 [ø15.88]	Liquid Line (inch [mm])	Gas Line (inch [mm])	3/8 [ø9.52]	5/8 [ø15.88]
Model	Piping Diameter (inch [mm])																	
MXZ-SM36/48NL	Liquid Line 3/8 [ø9.52]																	
	Gas Line 5/8 [ø15.88]																	
Model number	Piping Diameter (inch [mm])																	
18 or lower	Liquid Line 1/4 [ø6.35]																	
	Gas Line 1/2 [ø12.7]																	
24 to 54	Liquid Line 3/8 [ø9.52]																	
	Gas Line 5/8 [ø15.88]																	
Liquid Line (inch [mm])	Gas Line (inch [mm])																	
3/8 [ø9.52]	5/8 [ø15.88]																	
<p>■ Additional refrigerant charge</p>	<p>Refer to "11-3. Refrigerant charging calculation".</p>																	

MXZ-SM-NL-U1, MXZ-SM-NLHZ-U1

Branch box Method
 Connection Examples
 (Connecting to 8 Indoor Units)



Permissible length (One-way)	Total piping length	$A + B + C + a + b + c + d + e + f + g + h \leq 492 \text{ ft [150 m]}$
	Farthest piping length (L)	$A + C + h \leq 262 \text{ ft [80 m]}$
	Total Piping length between outdoor unit and branch boxes	$A + B + C \leq 180 \text{ ft [55m]}$
	Piping length between the first branch joint and farthest branch box	$C \leq 98 \text{ ft [30 m]}$
	Farthest piping length after branch box (l)	$l \leq 82 \text{ ft [25 m]}$
Permissible height difference (One-way)	Total piping length between branch boxes and indoor units	$a + b + c + d + e + f + g + h \leq 312 \text{ ft [95 m]}$
	Height difference between outdoor unit and indoor unit (H1)	When the outdoor unit is set higher than the indoor unit: 164 ft [50 m] When the outdoor unit is set lower than the indoor unit : 131 ft [40 m]
	Height difference between outdoor unit and branch box (H2)	When the outdoor unit is set higher than the branch box: 164 ft [50 m] When the outdoor unit is set lower than the branch box: 131 ft [40 m]
	Height difference between branch box and indoor unit(h1)	$h1 + h2 \leq 49 \text{ ft [15 m]}$
	Height difference between branch boxes (h2)	
	Height difference between indoor units (h3)	$h3 \leq 39 \text{ ft [12 m]}$
Number of bends	$ A+B+a , A+B+b , A+B+c , A+B+d , A+B+e , A+B+f , A+B+g , A+B+h $	≤ 15

*1 Branch box should be placed within the level between the outdoor unit and indoor units.

■ Select Each Section of Refrigerant Piping

(1) Section From Outdoor Unit to Branch box (A, B, C)
 (2) Sections From Branch box to Indoor Unit (a to h)

Each Section of Piping

Select the size from the table to the right.

(1) Refrigerant Piping Diameter In Section From Outdoor Unit to Branch box (Outdoor Unit Piping Diameter)

Model	Piping Diameter (inch[mm])
MXZ-SM36/48NL	Liquid Line 3/8 [ø9.52]
	Gas Line 5/8 [ø15.88]
MXZ-SM36/42/48NLHZ	Liquid Line 3/8 [ø9.52]
	Gas Line 3/4 [ø19.05]

(2) Refrigerant Piping Diameter In Section From Branch box to Indoor Unit (Indoor Unit Piping Diameter)

Indoor unit series	Model number	A Liquid pipe (inch[mm])	B Gas pipe (inch[mm])
M series or S series	- 12	1/4 [ø6.35]	3/8 [ø9.52]
	15,18		1/2 [ø12.7]
	24 -	3/8 [ø9.52]	5/8 [ø15.88]
P series	- 18	1/4 [ø6.35]	1/2 [ø12.7]
	24 -	3/8 [ø9.52]	5/8 [ø15.88]

When both of following bullet are satisfied gas piping diagram size shall be increased by one size

- Indoor units which connected are all of A-COIL type (PAA-A).
- Total piping length is 33 ft (10 m) or less.

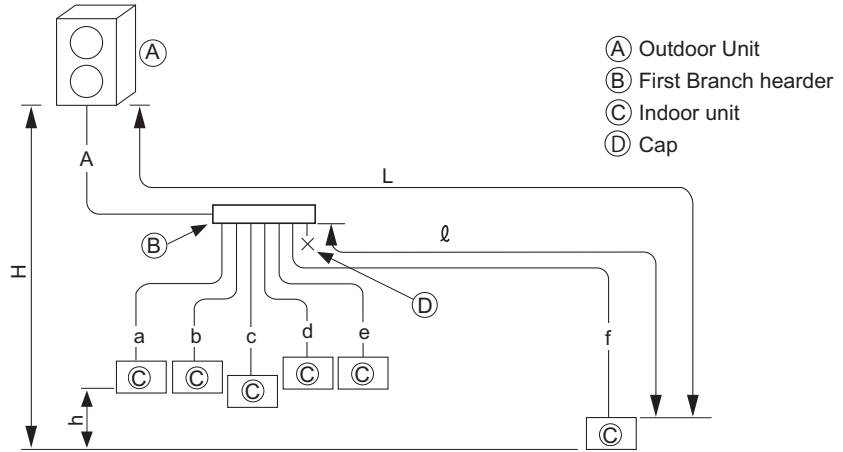
■ Additional refrigerant charge Refer to "11-3. Refrigerant charging calculation".

11-2-2. MXZ-SM60NL-U1/MXZ-SM36/42/48NLHZ-U1

<p>Line-Branch Method Connection Examples (Connecting to 5 Indoor Units)</p>	<p> (A) Outdoor Unit (B) First Branch joint (C) Indoor unit </p>																																							
<p>Permissible length</p>	<table border="1"> <tr> <td>Total piping length</td> <td>$A+B+C+D+a+b+c+d+e \leq 492 \text{ ft [150 m]}$</td> </tr> <tr> <td>Farthest piping length (L)</td> <td>$A+B+C+D+e \leq 262 \text{ ft [80 m]}$</td> </tr> <tr> <td>Farthest piping length after first branch (ℓ)</td> <td>$B+C+D+e \leq 98 \text{ ft [30 m]}$</td> </tr> </table>	Total piping length	$A+B+C+D+a+b+c+d+e \leq 492 \text{ ft [150 m]}$	Farthest piping length (L)	$A+B+C+D+e \leq 262 \text{ ft [80 m]}$	Farthest piping length after first branch (ℓ)	$B+C+D+e \leq 98 \text{ ft [30 m]}$																																	
Total piping length	$A+B+C+D+a+b+c+d+e \leq 492 \text{ ft [150 m]}$																																							
Farthest piping length (L)	$A+B+C+D+e \leq 262 \text{ ft [80 m]}$																																							
Farthest piping length after first branch (ℓ)	$B+C+D+e \leq 98 \text{ ft [30 m]}$																																							
<p>Permissible height difference</p>	<table border="1"> <tr> <td>Height difference between outdoor unit and indoor unit (H)</td> <td>When the outdoor unit is set Higher than indoor units: 164ft [50m] When the outdoor unit is set lower than indoor units : 131ft [40m]</td> </tr> <tr> <td>Height difference between indoor units (h)</td> <td>49 ft [15 m]</td> </tr> </table>	Height difference between outdoor unit and indoor unit (H)	When the outdoor unit is set Higher than indoor units: 164ft [50m] When the outdoor unit is set lower than indoor units : 131ft [40m]	Height difference between indoor units (h)	49 ft [15 m]																																			
Height difference between outdoor unit and indoor unit (H)	When the outdoor unit is set Higher than indoor units: 164ft [50m] When the outdoor unit is set lower than indoor units : 131ft [40m]																																							
Height difference between indoor units (h)	49 ft [15 m]																																							
<p>■ Selecting the Refrigerant Branch Kit Use an optional branch piping kit (CMY-Y62-G-E).</p>																																								
<p>■ Select Each Section of Refrigerant Piping</p> <p>(1) Section From Outdoor Unit to First Branch (A) (2) Sections From Branch to Indoor Unit (a,b,c,d) (3) Section From Branch to Branch (B,C)</p> <p>Each Section of Piping</p> <p>Select the size from the table to the right.</p>	<p>(1) Refrigerant Piping Diameter In Section From Outdoor Unit to First Branch (Outdoor Unit Piping Diameter)</p> <table border="1"> <thead> <tr> <th>Model</th> <th colspan="2">Piping Diameter (inch [mm])</th> </tr> </thead> <tbody> <tr> <td rowspan="2">MXZ-SM36/42/48NLHZ</td> <td>Liquid Line</td> <td>3/8 [ø9.52]</td> </tr> <tr> <td>Gas Line</td> <td>5/8 [ø15.88]</td> </tr> <tr> <td rowspan="2">MXZ-SM60NL</td> <td>Liquid Line</td> <td>3/8 [ø9.52]</td> </tr> <tr> <td>Gas Line</td> <td>3/4 [ø19.05]</td> </tr> </tbody> </table> <p>(2) Refrigerant Piping Diameter In Section From Branch to Indoor Unit (Indoor Unit Piping Diameter)</p> <table border="1"> <thead> <tr> <th>Model number</th> <th colspan="2">Piping Diameter (inch [mm])</th> </tr> </thead> <tbody> <tr> <td rowspan="2">18 or lower</td> <td>Liquid Line</td> <td>1/4 [ø6.35]</td> </tr> <tr> <td>Gas Line</td> <td>1/2 [ø12.7]</td> </tr> <tr> <td rowspan="2">24 to 54</td> <td>Liquid Line</td> <td>3/8 [ø9.52]</td> </tr> <tr> <td>Gas Line</td> <td>5/8 [ø15.88]</td> </tr> </tbody> </table> <p>(3) Refrigerant Piping Diameter In Section From Branch to Branch</p> <table border="1"> <thead> <tr> <th>Model</th> <th colspan="2">Piping Diameter (inch [mm])</th> </tr> </thead> <tbody> <tr> <td rowspan="2">MXZ-SM36/42/48NLHZ</td> <td>Liquid Line</td> <td>3/8 [ø9.52]</td> </tr> <tr> <td>Gas Line</td> <td>5/8 [ø15.88]</td> </tr> <tr> <td rowspan="2">MXZ-SM60NL</td> <td>Liquid Line</td> <td>3/8 [ø9.52]</td> </tr> <tr> <td>Gas Line</td> <td>3/4 [ø19.05]</td> </tr> </tbody> </table>	Model	Piping Diameter (inch [mm])		MXZ-SM36/42/48NLHZ	Liquid Line	3/8 [ø9.52]	Gas Line	5/8 [ø15.88]	MXZ-SM60NL	Liquid Line	3/8 [ø9.52]	Gas Line	3/4 [ø19.05]	Model number	Piping Diameter (inch [mm])		18 or lower	Liquid Line	1/4 [ø6.35]	Gas Line	1/2 [ø12.7]	24 to 54	Liquid Line	3/8 [ø9.52]	Gas Line	5/8 [ø15.88]	Model	Piping Diameter (inch [mm])		MXZ-SM36/42/48NLHZ	Liquid Line	3/8 [ø9.52]	Gas Line	5/8 [ø15.88]	MXZ-SM60NL	Liquid Line	3/8 [ø9.52]	Gas Line	3/4 [ø19.05]
Model	Piping Diameter (inch [mm])																																							
MXZ-SM36/42/48NLHZ	Liquid Line	3/8 [ø9.52]																																						
	Gas Line	5/8 [ø15.88]																																						
MXZ-SM60NL	Liquid Line	3/8 [ø9.52]																																						
	Gas Line	3/4 [ø19.05]																																						
Model number	Piping Diameter (inch [mm])																																							
18 or lower	Liquid Line	1/4 [ø6.35]																																						
	Gas Line	1/2 [ø12.7]																																						
24 to 54	Liquid Line	3/8 [ø9.52]																																						
	Gas Line	5/8 [ø15.88]																																						
Model	Piping Diameter (inch [mm])																																							
MXZ-SM36/42/48NLHZ	Liquid Line	3/8 [ø9.52]																																						
	Gas Line	5/8 [ø15.88]																																						
MXZ-SM60NL	Liquid Line	3/8 [ø9.52]																																						
	Gas Line	3/4 [ø19.05]																																						
<p>■ Additional refrigerant charge</p>	<p>Refer to "11-3. Refrigerant charging calculation".</p>																																							

MXZ-SM-NL-U1, MXZ-SM-NLHZ-U1

Header-Branch Method
Connection Examples
(Connecting to 6 Indoor Units)

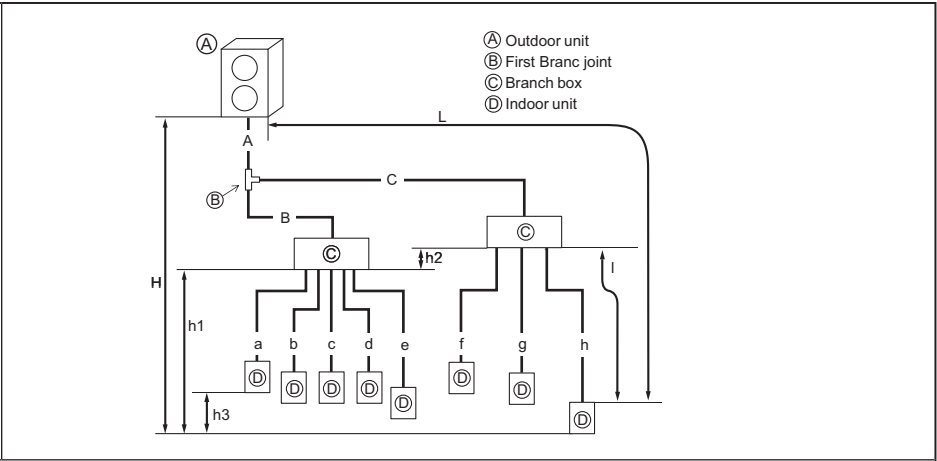


Permissible length	Total piping length	$A+a+b+c+d+e+f \leq 492 \text{ ft [150 m]}$																								
	Farthest piping length (L)	$A+f \leq 262 \text{ ft [80 m]}$																								
	Farthest piping length after first branch (l)	$d \leq 98 \text{ ft [30 m]}$																								
Permissible height difference	Height difference between outdoor unit and indoor unit (H)	When the outdoor unit is set Higher than indoor units: 164 ft [50 m] When the outdoor unit is set lower than indoor units : 131 ft [40 m]																								
	Height difference between indoor units (h)	49 ft [15 m]																								
<p>■ Selecting the Refrigerant Branch Kit</p>		<p>Please select branching kit, which is sold separately, from the table below. (The kit comprises sets for use with liquid pipes and for use with gas pipes.)</p> <table border="1" style="margin-left: auto; margin-right: auto;"> <tr> <td>Branch header (4 branches)</td> <td>Branch header (8 branches)</td> </tr> <tr> <td>CMY-Y64-G-E</td> <td>CMY-Y68-G-E</td> </tr> </table>	Branch header (4 branches)	Branch header (8 branches)	CMY-Y64-G-E	CMY-Y68-G-E																				
Branch header (4 branches)	Branch header (8 branches)																									
CMY-Y64-G-E	CMY-Y68-G-E																									
<p>■ Select Each Section of Refrigerant Piping</p> <p>(1) Section From Outdoor Unit to First Branch (A) } Each Section of Piping (2) Sections From Branch to Indoor Unit (a,b,c,d)</p> <p>Select the size from the table to the right.</p>		<table border="1" style="width: 100%;"> <thead> <tr> <th colspan="2" style="text-align: left;">(1) Refrigerant Piping Diameter In Section From Outdoor Unit to First Branch (Outdoor Unit Piping Diameter)</th> <th colspan="2" style="text-align: left;">(2) Refrigerant Piping Diameter In Section From Branch to Indoor Unit (Indoor Unit Piping Diameter)</th> </tr> <tr> <th>Model</th> <th>Piping Diameter (inch [mm])</th> <th>Model number</th> <th>Piping Diameter (inch [mm])</th> </tr> </thead> <tbody> <tr> <td rowspan="2">MXZ-SM36/42/48NLHZ</td> <td>Liquid Line</td> <td rowspan="2">18 or lower</td> <td>Liquid Line</td> <td>1/4 [ø6.35]</td> </tr> <tr> <td>Gas Line</td> <td>Gas Line</td> <td>1/2 [ø12.7]</td> </tr> <tr> <td rowspan="2">MXZ-SM60NL</td> <td>Liquid Line</td> <td rowspan="2">24 to 54</td> <td>Liquid Line</td> <td>3/8 [ø9.52]</td> </tr> <tr> <td>Gas Line</td> <td>Gas Line</td> <td>5/8 [ø15.88]</td> </tr> </tbody> </table>	(1) Refrigerant Piping Diameter In Section From Outdoor Unit to First Branch (Outdoor Unit Piping Diameter)		(2) Refrigerant Piping Diameter In Section From Branch to Indoor Unit (Indoor Unit Piping Diameter)		Model	Piping Diameter (inch [mm])	Model number	Piping Diameter (inch [mm])	MXZ-SM36/42/48NLHZ	Liquid Line	18 or lower	Liquid Line	1/4 [ø6.35]	Gas Line	Gas Line	1/2 [ø12.7]	MXZ-SM60NL	Liquid Line	24 to 54	Liquid Line	3/8 [ø9.52]	Gas Line	Gas Line	5/8 [ø15.88]
(1) Refrigerant Piping Diameter In Section From Outdoor Unit to First Branch (Outdoor Unit Piping Diameter)		(2) Refrigerant Piping Diameter In Section From Branch to Indoor Unit (Indoor Unit Piping Diameter)																								
Model	Piping Diameter (inch [mm])	Model number	Piping Diameter (inch [mm])																							
MXZ-SM36/42/48NLHZ	Liquid Line	18 or lower	Liquid Line	1/4 [ø6.35]																						
	Gas Line		Gas Line	1/2 [ø12.7]																						
MXZ-SM60NL	Liquid Line	24 to 54	Liquid Line	3/8 [ø9.52]																						
	Gas Line		Gas Line	5/8 [ø15.88]																						
<p>■ Additional refrigerant charge</p>		Refer to "11-3. Refrigerant charging calculation".																								

<p>Method of Combined Branching of Lines and Headers Connection Examples (Connecting to 5 Indoor Units)</p>	<p>Note: Pipe re-branching after the header branching is not possible.</p> <p> (A) Outdoor unit (B) First branch joint (C) Branch joint (D) Indoor unit (E) Branch header (F) Blind caps </p>																																							
<p>Permissible length</p>	<table border="1"> <tr> <td>Total piping length</td> <td>$A+B+C+a+b+c+d+e \leq 492 \text{ ft [150 m]}$</td> </tr> <tr> <td>Farthest piping length (L)</td> <td>$A+B+b \leq 262 \text{ ft [80 m]}$</td> </tr> <tr> <td>Farthest piping length after first branch (l)</td> <td>$B+b \leq 98 \text{ ft [30 m]}$</td> </tr> </table>	Total piping length	$A+B+C+a+b+c+d+e \leq 492 \text{ ft [150 m]}$	Farthest piping length (L)	$A+B+b \leq 262 \text{ ft [80 m]}$	Farthest piping length after first branch (l)	$B+b \leq 98 \text{ ft [30 m]}$																																	
Total piping length	$A+B+C+a+b+c+d+e \leq 492 \text{ ft [150 m]}$																																							
Farthest piping length (L)	$A+B+b \leq 262 \text{ ft [80 m]}$																																							
Farthest piping length after first branch (l)	$B+b \leq 98 \text{ ft [30 m]}$																																							
<p>Permissible Height Difference</p>	<table border="1"> <tr> <td>Height difference between outdoor unit and indoor unit (H)</td> <td>When the outdoor unit is set higher than indoor units: 164 ft [50 m] When the outdoor unit is set lower than indoor units : 131 ft [40 m]</td> </tr> <tr> <td>Height difference between Indoor units (h)</td> <td>49 ft [15 m]</td> </tr> </table>	Height difference between outdoor unit and indoor unit (H)	When the outdoor unit is set higher than indoor units: 164 ft [50 m] When the outdoor unit is set lower than indoor units : 131 ft [40 m]	Height difference between Indoor units (h)	49 ft [15 m]																																			
Height difference between outdoor unit and indoor unit (H)	When the outdoor unit is set higher than indoor units: 164 ft [50 m] When the outdoor unit is set lower than indoor units : 131 ft [40 m]																																							
Height difference between Indoor units (h)	49 ft [15 m]																																							
<p>■ Selecting the Refrigerant Branch Kit</p>	<p>Please select branching kit, which is sold separately, from the table below. (The kit comprises sets for use with liquid pipes and for use with gas pipes.)</p> <table border="1"> <tr> <th>Branch Joint</th> <th>Branch Header (4 branches)</th> <th>Branch Header (8 branches)</th> </tr> <tr> <td>CMY-Y62-G-E</td> <td>CMY-Y64-G-E</td> <td>CMY-Y68-G-E</td> </tr> </table>	Branch Joint	Branch Header (4 branches)	Branch Header (8 branches)	CMY-Y62-G-E	CMY-Y64-G-E	CMY-Y68-G-E																																	
Branch Joint	Branch Header (4 branches)	Branch Header (8 branches)																																						
CMY-Y62-G-E	CMY-Y64-G-E	CMY-Y68-G-E																																						
<p>■ Select Each Section of Refrigerant Piping</p> <p>(1) Section From Outdoor Unit to First Branch (A) (2) Sections From Branch to Indoor Unit (a,b,c,d,e) (3) Section From Branch to Branch (B,C)</p> <p>Each Section of Piping</p> <p>Select the size from the table to the right.</p>	<p>(1) Refrigerant Piping Diameter In Section From Outdoor Unit to First Branch (Outdoor Unit Piping Diameter)</p> <table border="1"> <thead> <tr> <th>Model</th> <th colspan="2">Piping Diameter (inch [mm])</th> </tr> </thead> <tbody> <tr> <td rowspan="2">MXZ-SM36/42/48NLHZ</td> <td>Liquid Line</td> <td>3/8 [ø9.52]</td> </tr> <tr> <td>Gas Line</td> <td>5/8 [ø15.88]</td> </tr> <tr> <td rowspan="2">MXZ-SM60NL</td> <td>Liquid Line</td> <td>3/8 [ø9.52]</td> </tr> <tr> <td>Gas Line</td> <td>3/4 [ø19.05]</td> </tr> </tbody> </table> <p>(2) Refrigerant Piping Diameter In Section From Branch to Indoor Unit (Indoor Unit Piping Diameter)</p> <table border="1"> <thead> <tr> <th>Model number</th> <th colspan="2">Piping Diameter (inch [mm])</th> </tr> </thead> <tbody> <tr> <td rowspan="2">18 or lower</td> <td>Liquid Line</td> <td>1/4 [ø6.35]</td> </tr> <tr> <td>Gas Line</td> <td>1/2 [ø12.7]</td> </tr> <tr> <td rowspan="2">24 to 54</td> <td>Liquid Line</td> <td>3/8 [ø9.52]</td> </tr> <tr> <td>Gas Line</td> <td>5/8 [ø15.88]</td> </tr> </tbody> </table> <p>(3) Refrigerant Piping Diameter In Section From Branch to Branch</p> <table border="1"> <thead> <tr> <th>Model</th> <th colspan="2">Piping Diameter (inch [mm])</th> </tr> </thead> <tbody> <tr> <td rowspan="2">MXZ-SM36/42/48NLHZ</td> <td>Liquid Line</td> <td>3/8 [ø9.52]</td> </tr> <tr> <td>Gas Line</td> <td>5/8 [ø15.88]</td> </tr> <tr> <td rowspan="2">MXZ-SM60NL</td> <td>Liquid Line</td> <td>3/8 [ø9.52]</td> </tr> <tr> <td>Gas Line</td> <td>3/4 [ø19.05]</td> </tr> </tbody> </table>	Model	Piping Diameter (inch [mm])		MXZ-SM36/42/48NLHZ	Liquid Line	3/8 [ø9.52]	Gas Line	5/8 [ø15.88]	MXZ-SM60NL	Liquid Line	3/8 [ø9.52]	Gas Line	3/4 [ø19.05]	Model number	Piping Diameter (inch [mm])		18 or lower	Liquid Line	1/4 [ø6.35]	Gas Line	1/2 [ø12.7]	24 to 54	Liquid Line	3/8 [ø9.52]	Gas Line	5/8 [ø15.88]	Model	Piping Diameter (inch [mm])		MXZ-SM36/42/48NLHZ	Liquid Line	3/8 [ø9.52]	Gas Line	5/8 [ø15.88]	MXZ-SM60NL	Liquid Line	3/8 [ø9.52]	Gas Line	3/4 [ø19.05]
Model	Piping Diameter (inch [mm])																																							
MXZ-SM36/42/48NLHZ	Liquid Line	3/8 [ø9.52]																																						
	Gas Line	5/8 [ø15.88]																																						
MXZ-SM60NL	Liquid Line	3/8 [ø9.52]																																						
	Gas Line	3/4 [ø19.05]																																						
Model number	Piping Diameter (inch [mm])																																							
18 or lower	Liquid Line	1/4 [ø6.35]																																						
	Gas Line	1/2 [ø12.7]																																						
24 to 54	Liquid Line	3/8 [ø9.52]																																						
	Gas Line	5/8 [ø15.88]																																						
Model	Piping Diameter (inch [mm])																																							
MXZ-SM36/42/48NLHZ	Liquid Line	3/8 [ø9.52]																																						
	Gas Line	5/8 [ø15.88]																																						
MXZ-SM60NL	Liquid Line	3/8 [ø9.52]																																						
	Gas Line	3/4 [ø19.05]																																						
<p>■ Additional refrigerant charge</p>	<p>Refer to "11-3. Refrigerant charging calculation".</p>																																							

MXZ-SM-NL-U1, MXZ-SM-NLHZ-U1

Branch box Method
 Connection Examples
 (Connecting to 8 Indoor Units)



Permissible length	Total piping length	$A + B + C + a + b + c + d + e + f + g + h \leq 492 \text{ ft [150 m]}$
	Farthest piping length (L)	$A + C + h \leq 262 \text{ ft [80 m]}$
(One-way)	Total Piping length between outdoor unit and branch boxes	$A + B + C \leq 180 \text{ ft [55m]}$
	Piping length between the first branch joint and farthest branch box	$C \leq 98 \text{ ft [30 m]}$
	Farthest piping length after branch box (I)	$I \leq 82 \text{ ft [25 m]}$
(One-way)	Total piping length between branch boxes and indoor units	$a + b + c + d + e + f + g + h \leq 312 \text{ ft [95 m]}$
	Height difference between outdoor unit and indoor unit (H1)	When the outdoor unit is set higher than the indoor unit: 164 ft [50 m] When the outdoor unit is set lower than the indoor unit : 131 ft [40 m]
	Height difference between outdoor unit and branch box (H2)	When the outdoor unit is set higher than the branch box: 164 ft [50 m] When the outdoor unit is set lower than the branch box: 131 ft [40 m]
	Height difference between branch box and indoor unit(h1)	$h1 + h2 \leq 49 \text{ ft [15 m]}$
	Height difference between branch boxes (h2)	$h2 \leq 49 \text{ ft [15 m]}$
	Height difference between indoor units (h3)	$h3 \leq 39 \text{ ft [12 m]}$
Number of bends	$ A+B+a , A+B+b , A+B+c , A+B+d , A+B+e , A+B+f , A+B+g , A+B+h $	≤ 15

*1 Branch box should be placed within the level between the outdoor unit and indoor units.

■ Select Each Section of Refrigerant Piping

(1) Section From Outdoor Unit to Branch box (A, B, C)
 (2) Sections From Branch box to Indoor Unit (a to h)

Each Section of Piping

Select the size from the table to the right.

(1) Refrigerant Piping Diameter In Section From Outdoor Unit to Branch box (Outdoor Unit Piping Diameter)

Model	Piping Diameter (inch[mm])	
MXZ-SM36/48NL	Liquid Line	3/8 [ø9.52]
	Gas Line	5/8 [ø15.88]
MXZ-SM36/42/48NLHZ	Liquid Line	3/8 [ø9.52]
	Gas Line	3/4 [ø19.05]

(2) Refrigerant Piping Diameter In Section From Branch box to Indoor Unit (Indoor Unit Piping Diameter)

Indoor unit series	Model number	A Liquid pipe (inch[mm])	B Gas pipe (inch[mm])
M series or S series	- 12	1/4 [ø6.35]	3/8 [ø9.52]
	15, 18		1/2 [ø12.7]
	24 -	3/8 [ø9.52]	5/8 [ø15.88]
P series	- 18	1/4 [ø6.35]	1/2 [ø12.7]
	24 -	3/8 [ø9.52]	5/8 [ø15.88]

When both of following bullet are satisfied gas piping diagram size shall be increased by one size.

- Indoor units which connected are all of A-COIL type (PAA-A).
- Total piping length is 33 ft (10 m) or less.

■ Additional refrigerant charge Refer to "11-3. Refrigerant charging calculation".

11-3. Refrigerant charging calculation

Additional refrigerant charge

Refrigerant for the extended piping is not included in the outdoor unit when the unit is shipped from the factory. Therefore, charge each refrigerant piping system with additional refrigerant at the installation site. In addition, in order to carry out service, enter the size and length of each liquid pipe and additional refrigerant charge amounts in the spaces provided on the "Refrigerant amount" plate on the outdoor unit.

Calculation of additional refrigerant charge

- Calculate the additional charge using the liquid pipe size and length of the extended piping.
- Calculate the additional refrigerant charge using the procedure below, and charge with the additional refrigerant.
- For amounts less than 0.1 kg, round up the calculated additional refrigerant charge.
(For example, if the calculated charge is 10.92 kg, round up the charge to 11.0 kg.)
- The amount of additional refrigerant, which is calculated from the total capacity of indoor units and the combination of extended pipes, must not exceed the following amount:

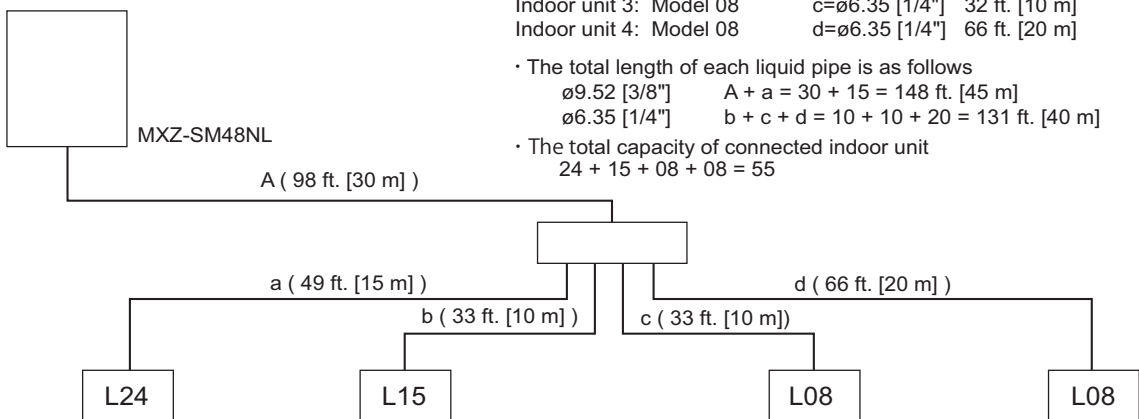
MXZ-SM36/48NL: 29 lbs 1 oz [13.2 kg]
 MXZ-SM36/42/48NLHZ, MXZ-SM60NL: 25 lbs 2 oz [11.4 kg]

Additional refrigerant charge	=	Amount for the Liquid pipe size of $\phi 6.35$	+	Amount for the Liquid pipe size of $\phi 9.52$	+	Total capacity of connected indoor units	Amount for the indoor units
		(ft) \times 0.22 (oz/ft) (m) \times 20.0 (g/m)		(ft) \times 0.58 (oz/ft) (m) \times 54.0 (g/m)		27 or less	8 lbs 14 oz [4.0kg]
						28 to 54	11 lbs 1 oz [5.0kg]
						55 or more	11 lbs 8 oz [5.2kg]

Included refrigerant amount when shipped from the factory

Included refrigerant amount	
MXZ-SM36/48NL	MXZ-SM60NL
MXZ-SM36/42/48NLHZ	
2 lbs 11 oz [1.2kg]	6 lbs 10 oz [3.0kg]

Example:



Additional refrigerant charge	=	Total length of liquid pipe sized 3/8" \times 0.58 (oz/ft.)	+	Total length of liquid pipe sized 1/4" \times 0.22 [oz/ft.]	+	Total capacity of connected indoor units	Pipe size Liquid pipe 3/8"
(oz)		148 (ft.) \times 0.58 [oz/ft.]		131 (ft.) \times 0.22 [oz/ft.]		27 or less	8 lbs 14 oz
						29 to 54	11 lbs 1 oz
						55 or more	11 lbs 8 oz
	=	5.86	+	28.82	+	11 lbs 8 oz	
	=	18 lbs 11 oz					

Additional refrigerant charge	=	Total length of liquid pipe sized $\phi 9.52 \times 0.054$ [kg/m]	+	Total length of liquid pipe sized $\phi 6.35 \times 0.020$ [kg/m]	+	Total capacity of connected indoor units	Pipe size Liquid pipe $\phi 9.52$
(kg)		45 (m) \times 0.054 [kg/m]		40 (m) \times 0.020 [kg/m]		27 or less	4.0 kg
						29 to 54	5.0 kg
						55 or more	5.2 kg
	=	2.43	+	0.8	+	5.2	
	=	8.43					
	\approx	8.5 kg (round-up)					

12-1. Requirement on installation site

12-1-1. General caution

- A. Avoid locations exposed to direct sunlight or other sources of heat.
- B. Select a location from which noise emitted by the unit will not inconvenience the neighbors.
- C. Select a location permitting easy wiring and pipe access to the power source and indoor unit.
- D. Avoid locations where combustible gases may leak, be produced, flow, or accumulate.
- E. Note that water may drain from the unit during operation.
- F. Select a level location that can bear the weight and vibration of the unit.
- G. Avoid locations where the unit can be covered by snow. In areas where heavy snow fall is anticipated, special precautions such as raising the installation location or installing a hood on the air intake must be taken to prevent the snow from blocking the air intake or blowing directly against it. This can reduce the airflow and a malfunction may result.
- H. Avoid locations exposed to oil, steam, or sulfuric gas.
- I. Use the transportation handles of the outdoor unit to transport the unit. If the unit is carried from the bottom, hands or fingers may be pinched.

12-1-2. Installation at windy location.

When installing the outdoor unit on a rooftop or other location unprotected from the wind, situate the air outlet of the unit so that it is not directly exposed to strong winds. Strong wind entering the air outlet may impede the normal airflow and a malfunction may result.

The following shows two examples of precautions against strong winds.

- ① Install an optional air guide if the unit is installed in a location where strong winds from a typhoon, etc. may directly enter the air outlet. (Fig. 12-1-2a)
 - Ⓐ Front wind baffle
- ② Position the unit so that the air outlet blows perpendicularly to the seasonal wind direction, if possible. (Fig. 12-1-2b)
 - Ⓑ Wind direction

- MXZ-SM36/48/60NL-U1
- MXZ-SM36/42/48NLHZ-U1

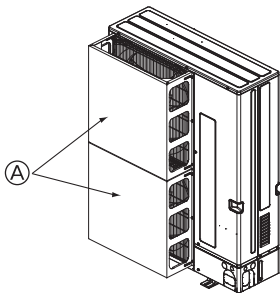


Fig. 12-1-2a

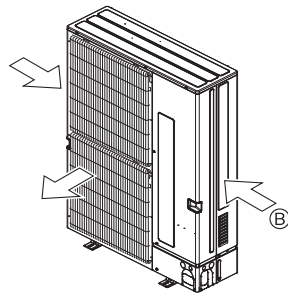


Fig. 12-1-2b

12-1-3. Foundation

A. Be sure to install the unit in a sturdy, level surface to prevent rattling noises during operation. (see Fig. 12-1-3)

B. Foundation specifications are as follows. mm [in.]

Thickness of concrete	Weight-bearing capacity	Foundation bolt	Bolt length
120 [4-23/32"]	320 kg [705lbs]	M10 [3/8"]	70 [2-3/4"]

C. Make sure that the length of the foundation bolt is within 30 mm [1-3/16"] of the bottom surface of the base.

D. Secure the base of the unit firmly with four-M10 [3/8"] foundation bolts in sturdy locations.

⚠ Warning:

- A. The foundation base should be strong enough to support the outdoor unit, otherwise, it may fall down and cause damage or injuries.
- B. The unit must be installed according to the instructions in order to minimize the risk of damage from earthquakes, typhoons, or strong winds.

- MXZ-SM36/48/60NL-U1
- MXZ-SM36/42/48NLHZ-U1

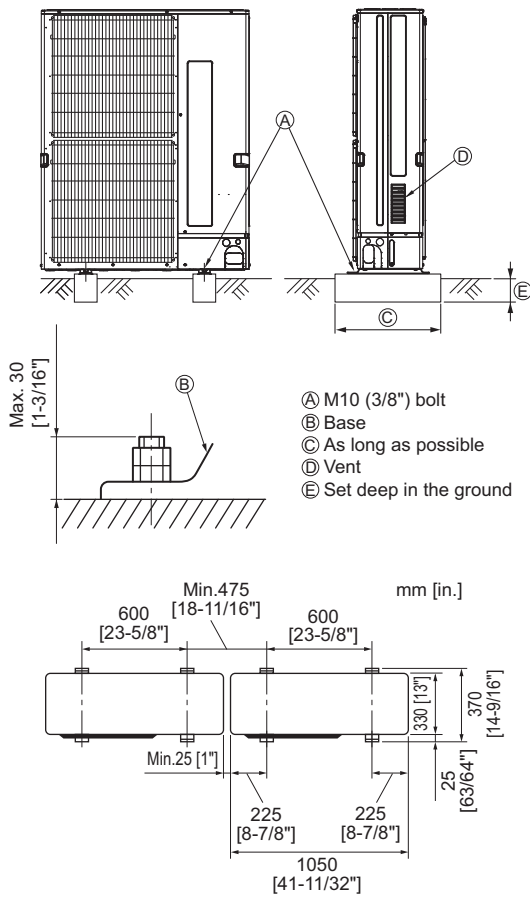


Fig. 12-1-3

MXZ-SM-NL-U1, MXZ-SM-NLHZ-U1

12-2. Spacing

External dimension.
MXZ-SM36/48/60NL-U1
MXZ-SM36/42/48NLHZ-U1

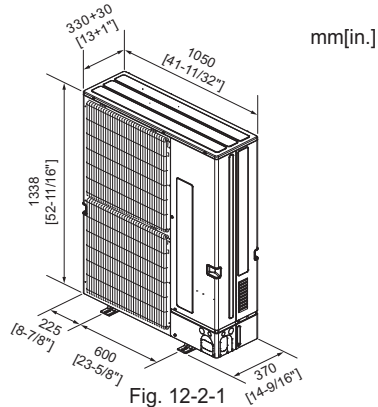


Fig. 12-2-1

12-2-1. When installing a single outdoor unit

Follow Fig. 12-2-2~7 to space individual at the installation site.

12-2-2. When installing multiple outdoor units

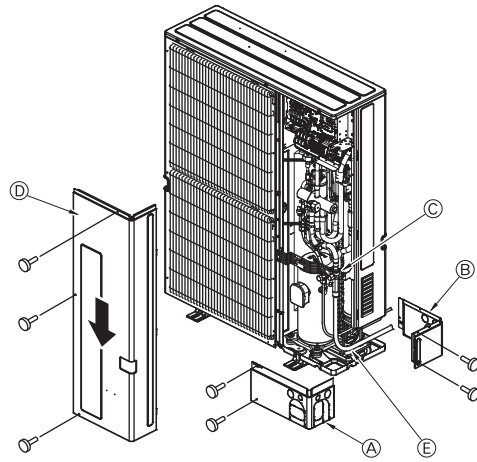
Follow Fig. 12-2-8~13 to space grouped at the installation site. Leave 25 mm [1 in.] or more between units.

MXZ-SM-NL-U1, MXZ-SM-NLHZ-U1

<p>Fig. 12-2-2 Obstacles at rear</p>	<p>Fig. 12-2-3 Obstacles at rear and above</p>	<p>Fig. 12-2-8 Obstacles at rear or front</p>	<p>Fig. 12-2-9 Obstacles at rear and above</p>
<p>Fig. 12-2-4 Obstacles at rear and sides</p>	<p>Fig. 12-2-5 Obstacles at front</p>	<p>Fig. 12-2-10 Obstacles at front and rear</p>	<p>Fig. 12-2-11 Single parallel arrangement</p>
<p>Fig. 12-2-6 Obstacles at front and rear</p>	<p>Fig. 12-2-7 Obstacles at rear, sides and above</p>	<p>Fig. 12-2-12 Multiple parallel arrangement</p>	<p>Fig. 12-2-13 Stacked arrangement</p>

12-3. Piping direction

- MXZ-SM36/48/60NL-U1
- MXZ-SM36/42/48NLHZ-U1



- Ⓐ Front piping cover
- Ⓑ Piping cover
- Ⓒ Stop valve
- Ⓓ Service panel
- Ⓔ Bend radius : 100 mm [3-15/16"] - 150 mm [5-7/8"]

13. PART LOAD CAPACITY CHART

SMART MULTI

MXZ-SM36NL-U1

1) Cooling

Rated	
Q (Btu/h)	36000
W	2555

MXZ-SM-NL-U1, MXZ-SM-NLHZ-U1

Indoor W.B.	Out-door D.B.	Out-door D.B.	72°F / 22.0°C						67°F / 19.4°C						64°F / 18.0°C						61°F / 16.0°C					
			Max	Rated	75%	50%	25%	Min	Max	Rated	75%	50%	25%	Min	Max	Rated	75%	50%	25%	Min	Max	Rated	75%	50%	25%	Min
(°F)	(°C)	(°C)																								
115	46.1	Q(Btu/h)	24538	24538	18404	12269	-	9543	22752	22752	17064	11376	-	8848	20973	20973	15730	10487	-	8156	18432	18432	13824	9216	-	7168
		W	1165	1165	932	676	-	479	1267	1267	1014	735	-	521	1288	1288	1030	747	-	529	1320	1320	1056	765	-	542
110	43.3	Q(Btu/h)	29233	29233	21925	14616	-	11368	27105	27105	20329	13552	-	10541	24986	24986	18739	12493	-	9717	21959	21959	16469	10979	-	8539
		W	1555	1555	1244	902	-	639	1694	1694	1355	983	-	696	1742	1742	1394	1010	-	716	1830	1830	1464	1061	-	752
106	41.1	Q(Btu/h)	32989	32989	24741	16494	-	12829	30587	30587	22940	15293	-	11895	28196	28196	21147	14098	-	10965	24780	24780	18585	12390	-	9637
		W	1895	1895	1516	1099	-	779	2068	2068	1654	1199	-	850	2139	2139	1712	1241	-	879	2040	2040	1632	1183	-	838
102	38.9	Q(Btu/h)	36218	36218	27163	18109	-	14085	33581	33581	25186	16790	-	13059	30956	30956	23217	15478	-	12038	27205	27205	20404	13603	-	10580
		W	2204	2204	1763	1278	-	906	2363	2363	1890	1370	-	971	2486	2486	1989	1442	-	1021	1953	1953	1562	1133	-	802
98	36.7	Q(Btu/h)	38390	38390	28792	19195	-	14929	35595	35595	26696	17798	-	13843	32812	32812	24609	16406	-	12760	28837	28837	21628	14418	-	11214
		W	2558	2558	2047	1484	-	1051	2612	2612	2090	1515	-	1074	2356	2356	1885	1366	-	968	1843	1843	1475	1069	-	758
94	34.4	Q(Btu/h)	38855	38855	29142	19428	-	15110	36027	36027	27020	18013	-	14010	33210	33210	24908	16605	-	12915	29187	29187	21890	14593	-	11350
		W	2629	2629	2103	1525	-	1080	2530	2530	2024	1468	-	1040	2248	2248	1798	1304	-	924	1749	1749	1399	1015	-	719
90	32.2	Q(Btu/h)	38971	38971	29228	19485	-	15155	36133	36133	27100	18067	-	14052	33308	33308	24981	16654	-	12953	29273	29273	21955	14636	-	11384
		W	2566	2566	2053	1488	-	1055	2432	2432	1946	1411	-	999	2129	2129	1703	1235	-	875	1649	1649	1319	956	-	678
86	30.0	Q(Btu/h)	39086	39086	29314	19543	-	15200	36240	36240	27180	18120	-	14093	33407	33407	25055	16703	-	12992	29359	29359	22020	14680	-	11418
		W	2503	2503	2003	1452	-	1029	2334	2334	1867	1353	-	959	2009	2009	1607	1165	-	826	1549	1549	1239	898	-	637
82	27.8	Q(Btu/h)	39201	39201	29400	19600	-	15245	36347	36347	27260	18173	-	14135	33505	33505	25129	16753	-	13030	29446	29446	22084	14723	-	11451
		W	2441	2441	1953	1416	-	1003	2235	2235	1788	1296	-	919	1890	1890	1512	1096	-	777	1449	1449	1159	840	-	595
78	25.6	Q(Btu/h)	39316	39316	29487	19658	-	15289	36453	36453	27340	18227	-	14176	33603	33603	25203	16802	-	13068	29532	29532	22149	14766	-	11485
		W	2378	2378	1903	1379	-	977	2137	2137	1709	1239	-	878	1770	1770	1416	1027	-	727	1349	1349	1079	782	-	554
74	23.3	Q(Btu/h)	39431	39431	29573	19715	-	15334	36560	36560	27420	18280	-	14218	33702	33702	25276	16851	-	13106	29619	29619	22214	14809	-	11518
		W	2316	2316	1852	1343	-	952	2038	2038	1631	1182	-	838	1651	1651	1321	957	-	678	1249	1249	999	724	-	513
70	21.1	Q(Btu/h)	39546	39546	29659	19773	-	15379	36667	36667	27500	18333	-	14259	33800	33800	25350	16900	-	13144	29705	29705	22279	14853	-	11552
		W	2253	2253	1802	1307	-	926	1940	1940	1552	1125	-	797	1531	1531	1225	888	-	629	1149	1149	919	666	-	472
66	18.9	Q(Btu/h)	39603	39603	29702	19802	-	15401	36720	36720	27540	18360	-	14280	33849	33849	25387	16925	-	13164	29748	29748	22311	14874	-	11569
		W	2222	2222	1778	1289	-	913	1891	1891	1513	1097	-	777	1470	1470	1176	853	-	604	1098	1098	878	637	-	451
62	16.7	Q(Btu/h)	39603	39603	29702	19802	-	15401	36720	36720	27540	18360	-	14280	33849	33849	25387	16925	-	13164	29748	29748	22311	14874	-	11569
		W	2223	2223	1779	1290	-	914	1891	1891	1513	1097	-	777	1467	1467	1174	851	-	603	1096	1096	877	636	-	451
58	14.4	Q(Btu/h)	39603	39603	29702	19802	-	15401	36720	36720	27540	18360	-	14280	33849	33849	25387	16925	-	13164	29748	29748	22311	14874	-	11569
		W	2225	2225	1780	1290	-	914	1891	1891	1513	1097	-	777	1465	1465	1172	849	-	602	1095	1095	876	635	-	450
54	12.2	Q(Btu/h)	39603	39603	29702	19802	-	15401	36720	36720	27540	18360	-	14280	33849	33849	25387	16925	-	13164	29748	29748	22311	14874	-	11569
		W	2226	2226	1781	1291	-	915	1891	1891	1513	1097	-	777	1462	1462	1169	848	-	601	1093	1093	875	634	-	449
50	10.0	Q(Btu/h)	39603	39603	29702	19802	-	15401	36720	36720	27540	18360	-	14280	33849	33849	25387	16925	-	13164	29748	29748	22311	14874	-	11569
		W	2227	2227	1782	1292	-	915	1891	1891	1513	1097	-	777	1459	1459	1167	846	-	600	1092	1092	874	633	-	449
46	7.8	Q(Btu/h)	39603	39603	29702	19802	-	15401	36720	36720	27540	18360	-	14280	33849	33849	25387	16925	-	13164	29748	29748	22311	14874	-	11569
		W	2228	2228	1783	1292	-	916	1891	1891	1513	1097	-	777	1456	1456	1165	845	-	598	1091	1091	872	633	-	448
42	5.6	Q(Btu/h)	39603	39603	29702	19802	-	15401	36720	36720	27540	18360	-	14280	33849	33849	25387	16925	-	13164	29748	29748	22311	14874	-	11569
		W	2230	2230	1784	1293	-	916	1891	1891	1513	1097	-	777	1453	1453	1163	843	-	597	1089	1089	871	632	-	448
38	3.3	Q(Btu/h)	39603	39603	29702	19802	-	15401	36720	36720	27540	18360	-	14280	33849	33849	25387	16925	-	13164	29748	29748	22311	14874	-	11569
		W	2231	2231	1785	1294	-	917	1891	1891	1513	1097	-	777	1450	1450	1160	841	-	596	1088	1088	870	631	-	447
34	1.1	Q(Btu/h)	39603	39603	29702	19802	-	15401	36720	36720	27540	18360	-	14280	33849	33849	25387	16925	-	13164	29748	29748	22311	14874	-	11569
		W	2232	2232	1786	1295	-	917	1891	1891	1513	1097	-	777	1448	1448	1158	840	-	595	1086	1086	869	630	-	446
30	-1.1	Q(Btu/h)	39603	39603	29702	19802	-	15401	36720	36720	27540	18360	-	14280	33849	33849	25387	16925	-	13164	29748	29748	22311	14874	-	11569
		W	2233	2233	1787	1295	-	918	1891	1891	1513	1097	-	777	1445	1445	1156	838	-	594	1085	1085	868	629	-	446
26	-3.3	Q(Btu/h)	39603	39603	29702	19802	-	15401	36720	36720	27540	18360	-	14280												

13. PART LOAD CAPACITY CHART

MXZ-SM36NL-U1

2) Heating

Rated	
Q (Btu/h)	41000
W	3005

Indoor D.B.	Out-door W.B.	Out-door W.B.	79°F / 26.0°C					70°F / 21.1°C					61°F / 16.0°C							
			Max	Rated	75%	50%	25%	Min	Max	Rated	75%	50%	25%	Min	Max	Rated	75%	50%	25%	Min
60	15.6	Q(Btu/h)	33285	33285	24964	16643	-	10229	41000	41000	30750	20500	-	12600	49029	49029	36772	24515	-	15068
		W	1524	1524	1219	884	-	555	2057	2057	1645	1193	-	749	1769	1769	1415	1026	-	644
55	12.8	Q(Btu/h)	33285	33285	24964	16643	-	10229	41000	41000	30750	20500	-	12600	49029	49029	36772	24515	-	15068
		W	1687	1687	1350	979	-	615	2290	2290	1832	1328	-	835	1943	1943	1554	1127	-	708
50	10.0	Q(Btu/h)	33285	33285	24964	16643	-	10229	41000	41000	30750	20500	-	12600	49029	49029	36772	24515	-	15068
		W	1851	1851	1481	1074	-	675	2524	2524	2019	1464	-	920	2117	2117	1694	1228	-	772
47	8.3	Q(Btu/h)	33285	33285	24964	16643	-	10229	41000	41000	30750	20500	-	12600	49029	49029	36772	24515	-	15068
		W	1967	1967	1574	1141	-	717	2730	2730	2184	1584	-	995	2268	2268	1815	1316	-	827
42	5.6	Q(Btu/h)	33285	33285	24964	16643	-	10229	41000	41000	30750	20500	-	12600	49029	49029	36772	24515	-	15068
		W	2189	2189	1751	1270	-	798	3088	3088	2470	1791	-	1125	2559	2559	2047	1484	-	932
35	1.7	Q(Btu/h)	33285	33285	24964	16643	-	10229	41000	41000	30750	20500	-	12600	49029	49029	36772	24515	-	15068
		W	2662	2662	2130	1544	-	970	3669	3669	2935	2128	-	1337	3182	3182	2545	1845	-	1159
32	0.0	Q(Btu/h)	33032	33032	24774	16516	-	10151	40688	40688	30516	20344	-	12504	48656	48656	36492	24328	-	14953
		W	2862	2862	2290	1660	-	1043	3781	3781	3025	2193	-	1378	3307	3307	2646	1918	-	1205
27	-2.8	Q(Btu/h)	31765	31765	23824	15882	-	9762	39127	39127	29345	19563	-	12024	46789	46789	35092	23395	-	14379
		W	3187	3187	2550	1849	-	1161	3514	3514	2811	2038	-	1280	3043	3043	2435	1765	-	1109
22	-5.6	Q(Btu/h)	30497	30497	22873	15249	-	9372	37566	37566	28174	18783	-	11545	44923	44923	33692	22461	-	13806
		W	3512	3512	2810	2037	-	1280	3247	3247	2598	1883	-	1183	2780	2780	2224	1612	-	1013
17	-8.3	Q(Btu/h)	29171	29171	21879	14586	-	8965	35933	35933	26949	17966	-	11043	42970	42970	32227	21485	-	13205
		W	3464	3464	2771	2009	-	1262	2946	2946	2356	1708	-	1073	2476	2476	1981	1436	-	902
12	-11.1	Q(Btu/h)	27173	27173	20380	13587	-	8351	33471	33471	25103	16735	-	10286	40026	40026	30019	20013	-	12301
		W	3261	3261	2608	1891	-	1188	2744	2744	2195	1591	-	1000	2281	2281	1825	1323	-	831
5	-15.0	Q(Btu/h)	23784	23784	17838	11892	-	7309	29296	29296	21972	14648	-	9003	35034	35034	26275	17517	-	10766
		W	3064	3064	2452	1777	-	1117	2575	2575	2060	1494	-	938	2134	2134	1707	1237	-	777
2	-16.7	Q(Btu/h)	21873	21873	16405	10937	-	6722	26943	26943	20207	13471	-	8280	32219	32219	24165	16110	-	9902
		W	2930	2930	2344	1700	-	1068	2495	2495	1996	1447	-	909	2101	2101	1681	1219	-	766
-3	-19.4	Q(Btu/h)	18307	18307	13730	9153	-	5626	22550	22550	16913	11275	-	6930	26966	26966	20225	13483	-	8287
		W	2707	2707	2165	1570	-	986	2362	2362	1889	1370	-	861	2047	2047	1638	1187	-	746
-8	-22.2	Q(Btu/h)	16537	16537	12403	8269	-	5082	20370	20370	15277	10185	-	6260	24359	24359	18269	12180	-	7486
		W	2483	2483	1986	1440	-	905	2223	2223	1778	1289	-	810	1938	1938	1550	1124	-	706
-13	-25.0	Q(Btu/h)	15216	15216	11412	7608	-	4676	18743	18743	14057	9371	-	5760	22413	22413	16810	11207	-	6888
		W	2258	2258	1806	1310	-	823	2082	2082	1666	1208	-	759	1815	1815	1452	1053	-	661

MXZ-SM-NL-U1, MXZ-SM-NLHZ-U1

MXZ-SM48NL-U1

1) Cooling

Rated	
Q (Btu/h)	48000
W	4000

MXZ-SM-NL-U1, MXZ-SM-NLHZ-U1

Indoor W.B.	Out-door D.B.	Out-door D.B.	72°F / 22.0°C							67°F / 19.4°C							64°F / 18.0°C							61°F / 16.0°C						
			Max	Rated	75%	50%	25%	Min	Max	Rated	75%	50%	25%	Min	Max	Rated	75%	50%	25%	Min	Max	Rated	75%	50%	25%	Min				
(°F)	(°C)	(°C)																												
115	46.1	Q(Btu/h)	32718	32718	24538	16359	-	10224	30336	30336	22752	15168	-	9480	27964	27964	20973	13982	-	8739	24576	24576	18432	12288	-	7680				
		W	1824	1824	1459	1058	-	559	1984	1984	1587	1151	-	608	2016	2016	1613	1169	-	617	2066	2066	1653	1198	-	633				
110	43.3	Q(Btu/h)	38977	38977	29233	19489	-	12180	36140	36140	27105	18070	-	11294	33314	33314	24986	16657	-	10411	29278	29278	21959	14639	-	9149				
		W	2434	2434	1947	1412	-	745	2652	2652	2122	1538	-	812	2727	2727	2182	1582	-	835	2864	2864	2291	1661	-	877				
106	41.1	Q(Btu/h)	43985	43985	32989	21992	-	13745	40783	40783	30587	20391	-	12745	37594	37594	28196	18797	-	11748	33040	33040	24780	16520	-	10325				
		W	2967	2967	2374	1721	-	909	3237	3237	2590	1878	-	991	3349	3349	2679	1943	-	1026	3194	3194	2555	1853	-	978				
102	38.9	Q(Btu/h)	48290	48290	36218	24145	-	15091	44774	44774	33581	22387	-	13992	41274	41274	30956	20637	-	12898	36273	36273	27205	18137	-	11335				
		W	3451	3451	2761	2001	-	1057	3699	3699	2959	2145	-	1133	3891	3891	3113	2257	-	1192	3057	3057	2446	1773	-	936				
98	36.7	Q(Btu/h)	51187	51187	38390	25593	-	15996	47460	47460	35595	23730	-	14831	43750	43750	32812	21875	-	13672	38449	38449	28837	19225	-	12015				
		W	4005	4005	3204	2323	-	1227	4090	4090	3272	2372	-	1253	3688	3688	2951	2139	-	1130	2886	2886	2309	1674	-	884				
94	34.4	Q(Btu/h)	51807	51807	38855	25904	-	16190	48036	48036	36027	24018	-	15011	44280	44280	33210	22140	-	13838	38915	38915	29187	19458	-	12161				
		W	4115	4115	3292	2387	-	1260	3961	3961	3169	2298	-	1213	3520	3520	2816	2041	-	1078	2738	2738	2191	1588	-	839				
90	32.2	Q(Btu/h)	51961	51961	38971	25980	-	16238	48178	48178	36133	24089	-	15056	44411	44411	33308	22206	-	13879	39031	39031	29273	19515	-	12197				
		W	4017	4017	3214	2330	-	1230	3807	3807	3046	2208	-	1166	3332	3332	2666	1933	-	1021	2582	2582	2065	1497	-	791				
86	30.0	Q(Btu/h)	52114	52114	39086	26057	-	16286	48320	48320	36240	24160	-	15100	44542	44542	33407	22271	-	13920	39146	39146	29359	19573	-	12233				
		W	3919	3919	3135	2273	-	1200	3653	3653	2923	2119	-	1119	3145	3145	2516	1824	-	963	2425	2425	1940	1406	-	743				
82	27.8	Q(Btu/h)	52267	52267	39201	26134	-	16334	48462	48462	36347	24231	-	15144	44674	44674	33505	22337	-	13960	39261	39261	29446	19631	-	12269				
		W	3821	3821	3057	2216	-	1170	3499	3499	2799	2030	-	1072	2958	2958	2367	1716	-	906	2268	2268	1815	1316	-	695				
78	25.6	Q(Btu/h)	52421	52421	39316	26210	-	16382	48604	48604	36453	24302	-	15189	44805	44805	33603	22402	-	14001	39376	39376	29532	19688	-	12305				
		W	3723	3723	2979	2159	-	1140	3345	3345	2676	1940	-	1024	2771	2771	2217	1607	-	849	2112	2112	1689	1225	-	647				
74	23.3	Q(Btu/h)	52574	52574	39431	26287	-	16429	48747	48747	36560	24373	-	15233	44936	44936	33702	22468	-	14042	39492	39492	29619	19746	-	12341				
		W	3625	3625	2900	2103	-	1110	3191	3191	2553	1851	-	977	2584	2584	2067	1499	-	791	1955	1955	1564	1134	-	599				
70	21.1	Q(Btu/h)	52728	52728	39546	26364	-	16477	48889	48889	36667	24444	-	15278	45067	45067	33800	22533	-	14083	39607	39607	29705	19803	-	12377				
		W	3527	3527	2822	2046	-	1080	3037	3037	2430	1761	-	930	2397	2397	1918	1390	-	734	1798	1798	1438	1043	-	551				
66	18.9	Q(Btu/h)	52804	52804	39603	26402	-	16501	48960	48960	36720	24480	-	15300	45132	45132	33849	22566	-	14104	39664	39664	29748	19832	-	12395				
		W	3479	3479	2783	2018	-	1065	2960	2960	2368	1717	-	907	2302	2302	1841	1335	-	705	1719	1719	1375	997	-	526				
62	16.7	Q(Btu/h)	52804	52804	39603	26402	-	16501	48960	48960	36720	24480	-	15300	45132	45132	33849	22566	-	14104	39664	39664	29748	19832	-	12395				
		W	3481	3481	2785	2019	-	1066	2960	2960	2368	1717	-	907	2297	2297	1838	1332	-	704	1716	1716	1373	995	-	526				
58	14.4	Q(Btu/h)	52804	52804	39603	26402	-	16501	48960	48960	36720	24480	-	15300	45132	45132	33849	22566	-	14104	39664	39664	29748	19832	-	12395				
		W	3483	3483	2786	2020	-	1067	2960	2960	2368	1717	-	907	2293	2293	1834	1330	-	702	1714	1714	1371	994	-	525				
54	12.2	Q(Btu/h)	52804	52804	39603	26402	-	16501	48960	48960	36720	24480	-	15300	45132	45132	33849	22566	-	14104	39664	39664	29748	19832	-	12395				
		W	3485	3485	2788	2021	-	1067	2960	2960	2368	1717	-	907	2288	2288	1831	1327	-	701	1712	1712	1369	993	-	524				
50	10.0	Q(Btu/h)	52804	52804	39603	26402	-	16501	48960	48960	36720	24480	-	15300	45132	45132	33849	22566	-	14104	39664	39664	29748	19832	-	12395				
		W	3487	3487	2789	2022	-	1068	2960	2960	2368	1717	-	907	2284	2284	1827	1325	-	699	1710	1710	1368	992	-	524				
46	7.8	Q(Btu/h)	52804	52804	39603	26402	-	16501	48960	48960	36720	24480	-	15300	45132	45132	33849	22566	-	14104	39664	39664	29748	19832	-	12395				
		W	3489	3489	2791	2023	-	1068	2960	2960	2368	1717	-	907	2280	2280	1824	1322	-	698	1707	1707	1366	990	-	523				
42	5.6	Q(Btu/h)	52804	52804	39603	26402	-	16501	48960	48960	36720	24480	-	15300	45132	45132	33849	22566	-	14104	39664	39664	29748	19832	-	12395				
		W	3491	3491	2793	2025	-	1069	2960	2960	2368	1717	-	907	2275	2275	1820	1320	-	697	1705	1705	1364	989	-	522				
38	3.3	Q(Btu/h)	52804	52804	39603	26402	-	16501	48960	48960	36720	24480	-	15300	45132	45132	33849	22566	-	14104	39664	39664	29748	19832	-	12395				
		W	3493	3493	2794	2026	-	1070	2960	2960	2368	1717	-	907	2271	2271	1817	1317	-	695	1703	1703	1362	988	-	521				
34	1.1	Q(Btu/h)	52804	52804	39603	26402	-	16501	48960	48960	36720	24480	-	15300	45132	45132	33849	22566	-	14104	39664	39664	29748	19832	-	12395				
		W	3495	3495	2796	2027	-	1070	2960	2960	2368	1717	-	907	2266	2266	1813	1315	-	694	1701	1701	1360	986	-	521				
30	-1.1	Q(Btu/h)	52804	52804	39603	26402	-	16501	48960	48960	36720	24480	-	15300	45132	45132	33849	22566	-	14104	39664	39664	29748	19832	-	12395				
		W	3497	3497	2797	2028	-	1071	2960	2960	2368	1717	-	907	2262	2262	1810	1312	-	693	1698	1698	1359	985	-	520				
26	-3.3	Q(Btu/h)	52804	52804	39603	26402	-	16501	48960	48960	36																			

13. PART LOAD CAPACITY CHART

MXZ-SM48NL-U1

2) Heating

Rated	
Q (Btu/h)	50000
W	3665

Indoor D.B.	Out-door W.B.	Out-door W.B.	79°F / 26.0°C						70°F / 21.1°C						61°F / 16.0°C					
			Max	Rated	75%	50%	25%	Min	Max	Rated	75%	50%	25%	Min	Max	Rated	75%	50%	25%	Min
60	15.6	Q(Btu/h)	40592	40592	30444	20296	-	10554	50000	50000	37500	25000	-	13000	59792	59792	44844	29896	-	15546
		W	1859	1859	1487	1078	-	598	2508	2508	2007	1455	-	808	2157	2157	1726	1251	-	694
55	12.8	Q(Btu/h)	40592	40592	30444	20296	-	10554	50000	50000	37500	25000	-	13000	59792	59792	44844	29896	-	15546
		W	2058	2058	1646	1194	-	663	2794	2794	2235	1620	-	899	2370	2370	1896	1374	-	763
50	10.0	Q(Btu/h)	40592	40592	30444	20296	-	10554	50000	50000	37500	25000	-	13000	59792	59792	44844	29896	-	15546
		W	2258	2258	1806	1309	-	727	3079	3079	2463	1786	-	991	2582	2582	2066	1498	-	831
47	8.3	Q(Btu/h)	40592	40592	30444	20296	-	10554	50000	50000	37500	25000	-	13000	59792	59792	44844	29896	-	15546
		W	2399	2399	1919	1391	-	772	3330	3330	2664	1931	-	1072	2767	2767	2213	1605	-	891
42	5.6	Q(Btu/h)	40592	40592	30444	20296	-	10554	50000	50000	37500	25000	-	13000	59792	59792	44844	29896	-	15546
		W	2670	2670	2136	1549	-	860	3766	3766	3013	2184	-	1213	3121	3121	2497	1810	-	1005
35	1.7	Q(Btu/h)	40592	40592	30444	20296	-	10554	50000	50000	37500	25000	-	13000	59792	59792	44844	29896	-	15546
		W	3247	3247	2597	1883	-	1045	4474	4474	3579	2595	-	1441	3880	3880	3104	2251	-	1249
32	0.0	Q(Btu/h)	40283	40283	30212	20141	-	10474	49619	49619	37214	24810	-	12901	59337	59337	44503	29668	-	15428
		W	3491	3491	2793	2025	-	1124	4611	4611	3689	2675	-	1485	4033	4033	3227	2339	-	1299
27	-2.8	Q(Btu/h)	38737	38737	29053	19369	-	10072	47716	47716	35787	23858	-	12406	57060	57060	42795	28530	-	14836
		W	3887	3887	3110	2255	-	1252	4286	4286	3429	2486	-	1380	3712	3712	2969	2153	-	1195
22	-5.6	Q(Btu/h)	37192	37192	27894	18596	-	9670	45812	45812	34359	22906	-	11911	54784	54784	41088	27392	-	14244
		W	4283	4283	3427	2484	-	1379	3960	3960	3168	2297	-	1275	3390	3390	2712	1966	-	1092
17	-8.3	Q(Btu/h)	35575	35575	26681	17787	-	9249	43820	43820	32865	21910	-	11393	52402	52402	39301	26201	-	13625
		W	4224	4224	3379	2450	-	1360	3592	3592	2874	2084	-	1157	3020	3020	2416	1752	-	972
12	-11.1	Q(Btu/h)	33138	33138	24853	16569	-	8616	40818	40818	30614	20409	-	10613	48812	48812	36609	24406	-	12691
		W	3977	3977	3181	2306	-	1280	3346	3346	2677	1941	-	1077	2782	2782	2225	1613	-	896
5	-15.0	Q(Btu/h)	29005	29005	21754	14502	-	7541	35727	35727	26795	17864	-	9289	42724	42724	32043	21362	-	11108
		W	3737	3737	2990	2168	-	1203	3141	3141	2513	1822	-	1011	2602	2602	2082	1509	-	838
2	-16.7	Q(Btu/h)	26675	26675	20006	13337	-	6935	32857	32857	24643	16429	-	8543	39292	39292	29469	19646	-	10216
		W	3574	3574	2859	2073	-	1151	3043	3043	2435	1765	-	980	2563	2563	2050	1486	-	825
-3	-19.4	Q(Btu/h)	22326	22326	16744	11163	-	5805	27500	27500	20625	13750	-	7150	32886	32886	24664	16443	-	8550
		W	3301	3301	2641	1915	-	1063	2880	2880	2304	1671	-	927	2496	2496	1997	1448	-	804
-8	-22.2	Q(Btu/h)	20167	20167	15125	10084	-	5243	24841	24841	18631	12421	-	6459	29706	29706	22280	14853	-	7724
		W	3028	3028	2422	1756	-	975	2711	2711	2169	1572	-	873	2363	2363	1891	1371	-	761
-13	-25.0	Q(Btu/h)	18556	18556	13917	9278	-	4825	22857	22857	17143	11429	-	5943	27333	27333	20500	13667	-	7107
		W	2754	2754	2203	1597	-	887	2540	2540	2032	1473	-	818	2214	2214	1771	1284	-	713

MXZ-SM-NL-U1, MXZ-SM-NLHZ-U1

13. PART LOAD CAPACITY CHART

SMART MULTI

MXZ-SM60NL-U1

1) Cooling

Rated	
Q (Btu/h)	60000
W	5000

MXZ-SM-NL-U1, MXZ-SM-NL-HZ-U1

Indoor W.B.	Out-door D.B.	Out-door D.B.	72°F / 22.0°C						67°F / 19.4°C						64°F / 18.0°C						61°F / 16.0°C					
			Max	Rated	75%	50%	25%	Min	Max	Rated	75%	50%	25%	Min	Max	Rated	75%	50%	25%	Min	Max	Rated	75%	50%	25%	Min
(°F)	(°C)	(°C)																								
115	46.1	Q(Btu/h)	40897	40897	30673	20449	-	10906	37920	37920	28440	18960	-	10112	34955	34955	26217	17478	-	9321	30720	30720	23040	15360	-	8192
		W	2280	2280	1824	1322	-	629	2480	2480	1984	1438	-	684	2520	2520	2016	1462	-	696	2582	2582	2066	1498	-	713
110	43.3	Q(Btu/h)	48722	48722	36541	24361	-	12992	45175	45175	33881	22587	-	12047	41643	41643	31232	20821	-	11105	36598	36598	27448	18299	-	9759
		W	3042	3042	2434	1764	-	840	3316	3316	2652	1923	-	915	3409	3409	2727	1977	-	941	3580	3580	2864	2077	-	988
106	41.1	Q(Btu/h)	54981	54981	41236	27490	-	14662	50978	50978	38234	25489	-	13594	46993	46993	35245	23496	-	12531	41299	41299	30975	20650	-	11013
		W	3709	3709	2967	2151	-	1024	4047	4047	3237	2347	-	1117	4187	4187	3349	2428	-	1156	3993	3993	3194	2316	-	1102
102	38.9	Q(Btu/h)	60363	60363	45272	30181	-	16097	55968	55968	41976	27984	-	14925	51593	51593	38694	25796	-	13758	45342	45342	34006	22671	-	12091
		W	4313	4313	3451	2502	-	1190	4623	4623	3699	2682	-	1276	4864	4864	3891	2821	-	1343	3821	3821	3057	2216	-	1055
98	36.7	Q(Btu/h)	63983	63983	47987	31992	-	17062	59325	59325	44494	29663	-	15820	54687	54687	41015	27344	-	14583	48061	48061	36046	24031	-	12816
		W	5006	5006	4005	2904	-	1382	5113	5113	4090	2965	-	1411	4610	4610	3688	2674	-	1272	3607	3607	2886	2092	-	996
94	34.4	Q(Btu/h)	64759	64759	48569	32380	-	17269	60044	60044	45033	30022	-	16012	55350	55350	41513	27675	-	14760	48644	48644	36483	24322	-	12972
		W	5144	5144	4115	2984	-	1420	4952	4952	3961	2872	-	1367	4399	4399	3520	2552	-	1214	3423	3423	2738	1985	-	945
90	32.2	Q(Btu/h)	64951	64951	48713	32475	-	17320	60222	60222	45167	30111	-	16059	55514	55514	41636	27757	-	14804	48788	48788	36591	24394	-	13010
		W	5022	5022	4017	2913	-	1386	4759	4759	3807	2760	-	1314	4166	4166	3332	2416	-	1150	3227	3227	2582	1872	-	891
86	30.0	Q(Btu/h)	65143	65143	48857	32571	-	17371	60400	60400	45300	30200	-	16107	55678	55678	41759	27839	-	14847	48932	48932	36699	24466	-	13049
		W	4899	4899	3919	2842	-	1352	4567	4567	3653	2649	-	1260	3932	3932	3145	2280	-	1085	3031	3031	2425	1758	-	837
82	27.8	Q(Btu/h)	65334	65334	49001	32667	-	17422	60578	60578	45433	30289	-	16154	55842	55842	41881	27921	-	14891	49076	49076	36807	24538	-	13087
		W	4777	4777	3821	2770	-	1318	4374	4374	3499	2537	-	1207	3698	3698	2958	2145	-	1021	2835	2835	2268	1644	-	783
78	25.6	Q(Btu/h)	65526	65526	49145	32763	-	17474	60756	60756	45567	30378	-	16201	56006	56006	42004	28003	-	14935	49220	49220	36915	24610	-	13125
		W	4654	4654	3723	2699	-	1284	4181	4181	3345	2425	-	1154	3464	3464	2771	2009	-	956	2639	2639	2112	1531	-	728
74	23.3	Q(Btu/h)	65718	65718	49288	32859	-	17525	60933	60933	45700	30467	-	16249	56170	56170	42127	28085	-	14979	49364	49364	37023	24682	-	13164
		W	4531	4531	3625	2628	-	1251	3989	3989	3191	2314	-	1101	3230	3230	2584	1874	-	892	2443	2443	1955	1417	-	674
70	21.1	Q(Btu/h)	65910	65910	49432	32955	-	17576	61111	61111	45833	30556	-	16296	56334	56334	42250	28167	-	15022	49508	49508	37131	24754	-	13202
		W	4409	4409	3527	2557	-	1217	3796	3796	3037	2202	-	1048	2997	2997	2397	1738	-	827	2248	2248	1798	1304	-	620
66	18.9	Q(Btu/h)	66005	66005	49504	33003	-	17601	61200	61200	45900	30600	-	16320	56415	56415	42312	28208	-	15044	49580	49580	37185	24790	-	13221
		W	4349	4349	3479	2522	-	1200	3700	3700	2960	2146	-	1021	2877	2877	2302	1669	-	794	2148	2148	1719	1246	-	593
62	16.7	Q(Btu/h)	66005	66005	49504	33003	-	17601	61200	61200	45900	30600	-	16320	56415	56415	42312	28208	-	15044	49580	49580	37185	24790	-	13221
		W	4351	4351	3481	2524	-	1201	3700	3700	2960	2146	-	1021	2871	2871	2297	1665	-	793	2145	2145	1716	1244	-	592
58	14.4	Q(Btu/h)	66005	66005	49504	33003	-	17601	61200	61200	45900	30600	-	16320	56415	56415	42312	28208	-	15044	49580	49580	37185	24790	-	13221
		W	4354	4354	3483	2525	-	1202	3700	3700	2960	2146	-	1021	2866	2866	2293	1662	-	791	2143	2143	1714	1243	-	591
54	12.2	Q(Btu/h)	66005	66005	49504	33003	-	17601	61200	61200	45900	30600	-	16320	56415	56415	42312	28208	-	15044	49580	49580	37185	24790	-	13221
		W	4356	4356	3485	2527	-	1202	3700	3700	2960	2146	-	1021	2860	2860	2288	1659	-	789	2140	2140	1712	1241	-	591
50	10.0	Q(Btu/h)	66005	66005	49504	33003	-	17601	61200	61200	45900	30600	-	16320	56415	56415	42312	28208	-	15044	49580	49580	37185	24790	-	13221
		W	4359	4359	3487	2528	-	1203	3700	3700	2960	2146	-	1021	2855	2855	2284	1656	-	788	2137	2137	1710	1239	-	590
46	7.8	Q(Btu/h)	66005	66005	49504	33003	-	17601	61200	61200	45900	30600	-	16320	56415	56415	42312	28208	-	15044	49580	49580	37185	24790	-	13221
		W	4361	4361	3489	2529	-	1204	3700	3700	2960	2146	-	1021	2849	2849	2280	1653	-	786	2134	2134	1707	1238	-	589
42	5.6	Q(Btu/h)	66005	66005	49504	33003	-	17601	61200	61200	45900	30600	-	16320	56415	56415	42312	28208	-	15044	49580	49580	37185	24790	-	13221
		W	4363	4363	3491	2531	-	1204	3700	3700	2960	2146	-	1021	2844	2844	2275	1650	-	785	2131	2131	1705	1236	-	588
38	3.3	Q(Btu/h)	66005	66005	49504	33003	-	17601	61200	61200	45900	30600	-	16320	56415	56415	42312	28208	-	15044	49580	49580	37185	24790	-	13221
		W	4366	4366	3493	2532	-	1205	3700	3700	2960	2146	-	1021	2838	2838	2271	1646	-	783	2129	2129	1703	1235	-	587
34	1.1	Q(Btu/h)	66005	66005	49504	33003	-	17601	61200	61200	45900	30600	-	16320	56415	56415	42312	28208	-	15044	49580	49580	37185	24790	-	13221
		W	4368	4368	3495	2534	-	1206	3700	3700	2960	2146	-	1021	2833	2833	2266	1643	-	782	2126	2126	1701	1233	-	587
30	-1.1	Q(Btu/h)	66005	66005	49504	33003	-	17601	61200	61200	45900	30600	-	16320	56415	56415	42312	28208	-	15044	49580	49580	37185	24790	-	13221
		W	4371	4371	3497	2535	-	1206	3700	3700	2960	2146	-	1021	2827	2827	2262	1640	-	780	2123	2123	1698	1231	-	586
26	-3.3	Q(Btu/h)	66005	66005	49504	33003	-	17601																		

13. PART LOAD CAPACITY CHART

SMART MULTI

MXZ-SM60NL-U1

2) Heating

Rated	
Q (Btu/h)	66000
W	4720

Indoor D.B.	Out-door W.B.	Out-door W.B. (°C)	79°F / 26.0°C							70°F / 21.1°C							61°F / 16.0°C						
			Max	Rated	75%	50%	25%	Min	Max	Rated	75%	50%	25%	Min	Max	Rated	75%	50%	25%	Min			
60	15.6	Q(Btu/h)	53581	53581	40186	26791	13395	10960	66000	66000	49500	33000	16500	13500	78925	78925	59194	39463	19731	16144			
		W	2394	2394	1915	1388	910	629	3231	3231	2584	1874	1228	849	2778	2778	2222	1611	1056	730			
55	12.8	Q(Btu/h)	53581	53581	40186	26791	13395	10960	66000	66000	49500	33000	16500	13500	78925	78925	59194	39463	19731	16144			
		W	2651	2651	2120	1537	1007	696	3598	3598	2878	2087	1367	945	3052	3052	2441	1770	1160	802			
50	10.0	Q(Btu/h)	53581	53581	40186	26791	13395	10960	66000	66000	49500	33000	16500	13500	78925	78925	59194	39463	19731	16144			
		W	2908	2908	2326	1686	1105	764	3965	3965	3172	2300	1507	1042	3326	3326	2660	1929	1264	874			
47	8.3	Q(Btu/h)	53581	53581	40186	26791	13395	10960	66000	66000	49500	33000	16500	13500	78925	78925	59194	39463	19731	16144			
		W	3090	3090	2472	1792	1174	812	4288	4288	3431	2487	1630	1127	3563	3563	2850	2067	1354	936			
42	5.6	Q(Btu/h)	53581	53581	40186	26791	13395	10960	66000	66000	49500	33000	16500	13500	78925	78925	59194	39463	19731	16144			
		W	3438	3438	2751	1994	1307	903	4850	4850	3880	2813	1843	1274	4019	4019	3215	2331	1527	1056			
35	1.7	Q(Btu/h)	53581	53581	40186	26791	13395	10960	66000	66000	49500	33000	16500	13500	78925	78925	59194	39463	19731	16144			
		W	4182	4182	3345	2425	1589	1099	5762	5762	4610	3342	2190	1514	4997	4997	3998	2899	1899	1313			
32	0.0	Q(Btu/h)	53523	53523	40142	26762	13381	10948	65928	65928	49446	32964	16482	13485	78840	78840	59130	39420	19710	16126			
		W	4496	4496	3597	2608	1708	1181	5939	5939	4751	3445	2257	1560	5194	5194	4155	3013	1974	1365			
27	-2.8	Q(Btu/h)	53232	53232	39924	26616	13308	10888	65569	65569	49177	32785	16392	13412	78410	78410	58808	39205	19603	16038			
		W	5006	5006	4005	2904	1902	1315	5519	5519	4416	3201	2097	1450	4780	4780	3824	2773	1817	1256			
22	-5.6	Q(Btu/h)	52940	52940	39705	26470	13235	10829	65210	65210	48908	32605	16303	13338	77981	77981	58486	38991	19495	15951			
		W	5517	5517	4413	3200	2096	1449	5100	5100	4080	2958	1938	1340	4366	4366	3493	2532	1659	1147			
17	-8.3	Q(Btu/h)	52635	52635	39477	26318	13159	10766	64835	64835	48626	32417	16209	13262	77532	77532	58149	38766	19383	15859			
		W	5440	5440	4352	3155	2067	1429	4627	4627	3701	2683	1758	1215	3889	3889	3111	2256	1478	1022			
12	-11.1	Q(Btu/h)	48418	48418	36314	24209	12105	9904	59640	59640	44730	29820	14910	12199	71320	71320	53490	35660	17830	14588			
		W	5121	5121	4097	2970	1946	1345	4309	4309	3447	2499	1638	1132	3582	3582	2866	2078	1361	941			
5	-15.0	Q(Btu/h)	38871	38871	29153	19435	9718	7951	47880	47880	35910	23940	11970	9794	57257	57257	42943	28628	14314	11712			
		W	4813	4813	3851	2792	1829	1265	4045	4045	3236	2346	1537	1063	3351	3351	2681	1944	1273	880			
2	-16.7	Q(Btu/h)	35211	35211	26408	17605	8803	7202	43371	43371	32529	21686	10843	8871	51865	51865	38899	25933	12966	10609			
		W	4603	4603	3682	2670	1749	1209	3919	3919	3135	2273	1489	1030	3300	3300	2640	1914	1254	867			
-3	-19.4	Q(Btu/h)	29470	29470	22102	14735	7367	6028	36300	36300	27225	18150	9075	7425	43409	43409	32557	21704	10852	8879			
		W	4252	4252	3401	2466	1616	1117	3709	3709	2968	2151	1410	975	3215	3215	2572	1865	1222	845			
-8	-22.2	Q(Btu/h)	26621	26621	19965	13310	6655	5445	32790	32790	24593	16395	8198	6707	39212	39212	29409	19606	9803	8021			
		W	3899	3899	3119	2262	1482	1024	3491	3491	2793	2025	1327	917	3044	3044	2435	1765	1157	800			
-13	-25.0	Q(Btu/h)	24494	24494	18371	12247	6124	5010	30171	30171	22629	15086	7543	6171	36080	36080	27060	18040	9020	7380			
		W	3547	3547	2837	2057	1348	932	3271	3271	2617	1897	1243	859	2851	2851	2281	1653	1083	749			

MXZ-SM-NL-U1, MXZ-SM-NLHZ-U1

13. PART LOAD CAPACITY CHART

SMART MULTI

MXZ-SM36NLHZ-U1

1) Cooling

Rated	
Q (Btu/h)	36000
W	2485

MXZ-SM-NL-U1, MXZ-SM-NLHZ-U1

Indoor W.B.	Out-door D.B.	Out-door D.B.	72°F / 22.0°C							67°F / 19.4°C							64°F / 18.0°C							61°F / 16.0°C						
			Max	Rated	75%	50%	25%	Min	Max	Rated	75%	50%	25%	Min	Max	Rated	75%	50%	25%	Min	Max	Rated	75%	50%	25%	Min				
115	46.1	Q(Btu/h)	24538	24538	18404	12269	-	8861	22752	22752	17064	11376	-	8216	20973	20973	15730	10487	-	7574	18432	18432	13824	9216	-	6656				
		W	1133	1133	907	657	-	561	1233	1233	986	715	-	610	1252	1252	1002	726	-	620	1283	1283	1027	744	-	635				
110	43.3	Q(Btu/h)	29233	29233	21925	14616	-	10556	27105	27105	20329	13552	-	9788	24986	24986	18739	12493	-	9023	21959	21959	16469	10979	-	7929				
		W	1512	1512	1210	877	-	748	1648	1648	1318	956	-	816	1694	1694	1355	983	-	839	1779	1779	1424	1032	-	881				
106	41.1	Q(Btu/h)	32989	32989	24741	16494	-	11913	30587	30587	22940	15293	-	11045	28196	28196	21147	14098	-	10182	24780	24780	18585	12390	-	8948				
		W	1843	1843	1475	1069	-	912	2011	2011	1609	1166	-	995	2081	2081	1665	1207	-	1030	1984	1984	1587	1151	-	982				
102	38.9	Q(Btu/h)	36218	36218	27163	18109	-	13079	33581	33581	25186	16790	-	12126	30956	30956	23217	15478	-	11178	27205	27205	20404	13603	-	9824				
		W	2144	2144	1715	1243	-	1061	2298	2298	1838	1333	-	1137	2418	2418	1934	1402	-	1197	1899	1899	1519	1102	-	940				
98	36.7	Q(Btu/h)	38390	38390	28792	19195	-	13863	35595	35595	26696	17798	-	12854	32812	32812	24609	16406	-	11849	28837	28837	21628	14418	-	10413				
		W	2488	2488	1990	1443	-	1232	2541	2541	2033	1474	-	1258	2291	2291	1833	1329	-	1134	1793	1793	1434	1040	-	887				
94	34.4	Q(Btu/h)	38855	38855	29142	19428	-	14031	36027	36027	27020	18013	-	13010	33210	33210	24908	16605	-	11993	29187	29187	21890	14593	-	10540				
		W	2557	2557	2045	1483	-	1266	2461	2461	1969	1427	-	1218	2186	2186	1749	1268	-	1082	1701	1701	1361	987	-	842				
90	32.2	Q(Btu/h)	38971	38971	29228	19485	-	14073	36133	36133	27100	18067	-	13048	33308	33308	24981	16654	-	12028	29273	29273	21955	14636	-	10571				
		W	2496	2496	1997	1448	-	1235	2365	2365	1892	1372	-	1171	2070	2070	1656	1201	-	1025	1604	1604	1283	930	-	794				
86	30.0	Q(Btu/h)	39086	39086	29314	19543	-	14114	36240	36240	27180	18120	-	13087	33407	33407	25055	16703	-	12064	29359	29359	22020	14680	-	10602				
		W	2435	2435	1948	1412	-	1205	2270	2270	1816	1316	-	1123	1954	1954	1563	1133	-	967	1507	1507	1205	874	-	746				
82	27.8	Q(Btu/h)	39201	39201	29400	19600	-	14156	36347	36347	27260	18173	-	13125	33505	33505	25129	16753	-	12099	29446	29446	22084	14723	-	10633				
		W	2374	2374	1899	1377	-	1175	2174	2174	1739	1261	-	1076	1838	1838	1470	1066	-	910	1409	1409	1127	817	-	697				
78	25.6	Q(Btu/h)	39316	39316	29487	19658	-	14197	36453	36453	27340	18227	-	13164	33603	33603	25203	16802	-	12135	29532	29532	22149	14766	-	10664				
		W	2313	2313	1850	1342	-	1145	2078	2078	1663	1205	-	1029	1722	1722	1377	999	-	852	1312	1312	1049	761	-	649				
74	23.3	Q(Btu/h)	39431	39431	29573	19715	-	14239	36560	36560	27420	18280	-	13202	33702	33702	25276	16851	-	12170	29619	29619	22214	14809	-	10696				
		W	2252	2252	1802	1306	-	1115	1982	1982	1586	1150	-	981	1606	1606	1284	931	-	795	1214	1214	972	704	-	601				
70	21.1	Q(Btu/h)	39546	39546	29659	19773	-	14280	36667	36667	27500	18333	-	13241	33800	33800	25350	16900	-	12206	29705	29705	22279	14853	-	10727				
		W	2191	2191	1753	1271	-	1085	1887	1887	1509	1094	-	934	1489	1489	1191	864	-	737	1117	1117	894	648	-	553				
66	18.9	Q(Btu/h)	39603	39603	29702	19802	-	14301	36720	36720	27540	18360	-	13260	33849	33849	25387	16925	-	12223	29748	29748	22311	14874	-	10742				
		W	2161	2161	1729	1254	-	1070	1839	1839	1471	1067	-	910	1430	1430	1144	829	-	708	1068	1068	854	619	-	528				
62	16.7	Q(Btu/h)	39603	39603	29702	19802	-	14301	36720	36720	27540	18360	-	13260	33849	33849	25387	16925	-	12223	29748	29748	22311	14874	-	10742				
		W	2163	2163	1730	1254	-	1070	1839	1839	1471	1067	-	910	1427	1427	1142	828	-	706	1066	1066	853	618	-	528				
58	14.4	Q(Btu/h)	39603	39603	29702	19802	-	14301	36720	36720	27540	18360	-	13260	33849	33849	25387	16925	-	12223	29748	29748	22311	14874	-	10742				
		W	2164	2164	1731	1255	-	1071	1839	1839	1471	1067	-	910	1424	1424	1140	826	-	705	1065	1065	852	618	-	527				
54	12.2	Q(Btu/h)	39603	39603	29702	19802	-	14301	36720	36720	27540	18360	-	13260	33849	33849	25387	16925	-	12223	29748	29748	22311	14874	-	10742				
		W	2165	2165	1732	1256	-	1072	1839	1839	1471	1067	-	910	1422	1422	1137	825	-	704	1063	1063	851	617	-	526				
50	10.0	Q(Btu/h)	39603	39603	29702	19802	-	14301	36720	36720	27540	18360	-	13260	33849	33849	25387	16925	-	12223	29748	29748	22311	14874	-	10742				
		W	2166	2166	1733	1256	-	1072	1839	1839	1471	1067	-	910	1419	1419	1135	823	-	702	1062	1062	850	616	-	526				
46	7.8	Q(Btu/h)	39603	39603	29702	19802	-	14301	36720	36720	27540	18360	-	13260	33849	33849	25387	16925	-	12223	29748	29748	22311	14874	-	10742				
		W	2167	2167	1734	1257	-	1073	1839	1839	1471	1067	-	910	1416	1416	1133	821	-	701	1061	1061	849	615	-	525				
42	5.6	Q(Btu/h)	39603	39603	29702	19802	-	14301	36720	36720	27540	18360	-	13260	33849	33849	25387	16925	-	12223	29748	29748	22311	14874	-	10742				
		W	2169	2169	1735	1258	-	1073	1839	1839	1471	1067	-	910	1413	1413	1131	820	-	700	1059	1059	847	614	-	524				
38	3.3	Q(Btu/h)	39603	39603	29702	19802	-	14301	36720	36720	27540	18360	-	13260	33849	33849	25387	16925	-	12223	29748	29748	22311	14874	-	10742				
		W	2170	2170	1736	1258	-	1074	1839	1839	1471	1067	-	910	1411	1411	1129	818	-	698	1058	1058	846	614	-	524				
34	1.1	Q(Btu/h)	39603	39603	29702	19802	-	14301	36720	36720	27540	18360	-	13260	33849	33849	25387	16925	-	12223	29748	29748	22311	14874	-	10742				
		W	2171	2171	1737	1259	-	1075	1839	1839	1471	1067	-	910	1408	1408	1126	817	-	697	1056	1056	845	613	-	523				
30	-1.1	Q(Btu/h)	39603	39603	29702	19802	-	14301	36720	36720	27540	18360	-	13260	33849	33849	25387	16925	-	12223	29748	29748	22311	14874	-	10742				
		W	2172	2172	1738	1260	-	1075	1839	1839	1471	1067	-	910	1405	1405	1124	815	-	696	1055	1055	844	612	-	522				
26	-3.3	Q(Btu/h)	39603	39603	29702	19802	-	14301	36720	36720	27540	18360	-	13260	33849	33849	25387	16925	-	1										

13. PART LOAD CAPACITY CHART

SMART MULTI

MXZ-SM36NLHZ-U1

2) Heating

Rated	
Q (Btu/h)	42000
W	3080

Indoor D.B.	Out-door W.B.	Out-door W.B.	79°F / 26.0°C						70°F / 21.1°C						61°F / 16.0°C					
			Max	Rated	75%	50%	25%	Min	Max	Rated	75%	50%	25%	Min	Max	Rated	75%	50%	25%	Min
60	15.6	Q(Btu/h)	34097	34097	25573	17049	-	10229	42000	42000	31500	21000	-	12600	50225	50225	37669	25113	-	15068
		W	1562	1562	1250	906	-	555	2108	2108	1686	1223	-	749	1902	1902	1522	1103	-	676
55	12.8	Q(Btu/h)	34097	34097	25573	17049	-	10229	42000	42000	31500	21000	-	12600	50225	50225	37669	25113	-	15068
		W	1730	1730	1384	1003	-	615	2348	2348	1878	1362	-	835	2131	2131	1705	1236	-	758
50	10.0	Q(Btu/h)	34097	34097	25573	17049	-	10229	42000	42000	31500	21000	-	12600	50225	50225	37669	25113	-	15068
		W	1897	1897	1518	1100	-	675	2587	2587	2070	1501	-	920	2360	2360	1888	1369	-	839
47	8.3	Q(Btu/h)	34097	34097	25573	17049	-	10229	42000	42000	31500	21000	-	12600	50225	50225	37669	25113	-	15068
		W	2016	2016	1613	1169	-	717	2798	2798	2239	1623	-	995	2530	2530	2024	1467	-	899
42	5.6	Q(Btu/h)	34624	34624	25968	17312	-	10387	42649	42649	31987	21324	-	12795	51001	51001	38251	25501	-	15300
		W	2208	2208	1766	1280	-	785	3111	3111	2489	1804	-	1106	2792	2792	2234	1619	-	993
35	1.7	Q(Btu/h)	38457	38457	28843	19228	-	11537	47370	47370	35527	23685	-	14211	56647	56647	42485	28323	-	16994
		W	2441	2441	1952	1415	-	868	3326	3326	2661	1929	-	1183	3050	3050	2440	1769	-	1084
32	0.0	Q(Btu/h)	38660	38660	28995	19330	-	11598	47620	47620	35715	23810	-	14286	56946	56946	42709	28473	-	17084
		W	2540	2540	2032	1473	-	903	3432	3432	2746	1991	-	1220	3160	3160	2528	1833	-	1123
27	-2.8	Q(Btu/h)	38226	38226	28670	19113	-	11468	47086	47086	35315	23543	-	14126	56307	56307	42231	28154	-	16892
		W	2703	2703	2162	1568	-	961	3654	3654	2923	2119	-	1299	3344	3344	2675	1939	-	1189
22	-5.6	Q(Btu/h)	37412	37412	28059	18706	-	11224	46083	46083	34563	23042	-	13825	55108	55108	41331	27554	-	16532
		W	2903	2903	2322	1684	-	1032	3896	3896	3117	2260	-	1385	3518	3518	2814	2040	-	1251
17	-8.3	Q(Btu/h)	35044	35044	26283	17522	-	10513	43167	43167	32375	21583	-	12950	51620	51620	38715	25810	-	15486
		W	3249	3249	2600	1885	-	1155	4220	4220	3376	2447	-	1500	3653	3653	2923	2119	-	1299
12	-11.1	Q(Btu/h)	34097	34097	25573	17049	-	10229	42000	42000	31500	21000	-	12600	50225	50225	37669	25113	-	15068
		W	3693	3693	2954	2142	-	1313	4555	4555	3644	2642	-	1619	3773	3773	3018	2188	-	1341
5	-15.0	Q(Btu/h)	34097	34097	25573	17049	-	10229	42000	42000	31500	21000	-	12600	50225	50225	37669	25113	-	15068
		W	4404	4404	3524	2555	-	1566	5035	5035	4028	2920	-	1790	3925	3925	3140	2276	-	1395
2	-16.7	Q(Btu/h)	34097	34097	25573	17049	-	10229	42000	42000	31500	21000	-	12600	50225	50225	37669	25113	-	15068
		W	4579	4579	3663	2656	-	1628	4915	4915	3932	2850	-	1747	3714	3714	2971	2154	-	1320
-3	-19.4	Q(Btu/h)	34097	34097	25573	17049	-	10229	42000	42000	31500	21000	-	12600	50225	50225	37669	25113	-	15068
		W	4870	4870	3896	2824	-	1731	4714	4714	3771	2734	-	1676	3363	3363	2690	1950	-	1196
-8	-22.2	Q(Btu/h)	34097	34097	25573	17049	-	10229	42000	42000	31500	21000	-	12600	50225	50225	37669	25113	-	15068
		W	5174	5174	4140	3001	-	1840	4500	4500	3600	2610	-	1600	2989	2989	2391	1734	-	1063
-13	-25.0	Q(Btu/h)	34097	34097	25573	17049	-	10229	42000	42000	31500	21000	-	12600	50225	50225	37669	25113	-	15068
		W	4928	4928	3942	2858	-	1752	4312	4312	3450	2501	-	1533	2661	2661	2129	1543	-	946

MXZ-SM-NL-U1, MXZ-SM-NLHZ-U1

MXZ-SM42NLHZ-U1

1) Cooling

Rated	
Q (Btu/h)	42000
W	3135

MXZ-SM-NL-U1, MXZ-SM-NLHZ-U1

Indoor W.B.	Out-door D.B.	Out-door D.B. (°F)	Out-door D.B. (°C)	72°F / 22.0°C						67°F / 19.4°C						64°F / 18.0°C						61°F / 16.0°C					
				Max	Rated	75%	50%	25%	Min	Max	Rated	75%	50%	25%	Min	Max	Rated	75%	50%	25%	Min	Max	Rated	75%	50%	25%	Min
115	46.1	Q(Btu/h)	28628	28628	21471	14314	-	9543	26544	26544	19908	13272	-	8848	24469	24469	18352	12234	-	8156	21504	21504	16128	10752	-	7168	
		W	1430	1430	1144	829	-	568	1555	1555	1244	902	-	618	1580	1580	1264	916	-	627	1619	1619	1295	939	-	643	
110	43.3	Q(Btu/h)	34105	34105	25579	17053	-	11368	31622	31622	23717	15811	-	10541	29150	29150	21863	14575	-	9717	25618	25618	19214	12809	-	8539	
		W	1907	1907	1526	1106	-	758	2079	2079	1663	1206	-	826	2137	2137	1710	1240	-	849	2245	2245	1796	1302	-	891	
106	41.1	Q(Btu/h)	38487	38487	28865	19243	-	12829	35685	35685	26764	17842	-	11895	32895	32895	24671	16447	-	10965	28910	28910	21682	14455	-	9637	
		W	2326	2326	1861	1349	-	924	2537	2537	2030	1472	-	1008	2625	2625	2100	1523	-	1042	2503	2503	2003	1452	-	994	
102	38.9	Q(Btu/h)	42254	42254	31690	21127	-	14085	39178	39178	29383	19589	-	13059	36115	36115	27086	18057	-	12038	31739	31739	23804	15870	-	10580	
		W	2704	2704	2164	1569	-	1074	2899	2899	2319	1681	-	1151	3050	3050	2440	1769	-	1211	2396	2396	1917	1390	-	952	
98	36.7	Q(Btu/h)	44788	44788	33591	22394	-	14929	41528	41528	31146	20764	-	13843	38281	38281	28711	19140	-	12760	33643	33643	25232	16822	-	11214	
		W	3139	3139	2511	1821	-	1247	3206	3206	2564	1859	-	1273	2891	2891	2312	1677	-	1148	2262	2262	1809	1312	-	898	
94	34.4	Q(Btu/h)	45331	45331	33999	22666	-	15110	42031	42031	31523	21016	-	14010	38745	38745	29059	19373	-	12915	34051	34051	25538	17026	-	11350	
		W	3226	3226	2580	1871	-	1281	3105	3105	2484	1801	-	1233	2758	2758	2207	1600	-	1095	2146	2146	1717	1245	-	852	
90	32.2	Q(Btu/h)	45466	45466	34099	22733	-	15155	42156	42156	31617	21078	-	14052	38860	38860	29145	19430	-	12953	34152	34152	25614	17076	-	11384	
		W	3149	3149	2519	1826	-	1250	2984	2984	2387	1731	-	1185	2612	2612	2089	1515	-	1037	2023	2023	1619	1174	-	804	
86	30.0	Q(Btu/h)	45600	45600	34200	22800	-	15200	42280	42280	31710	21140	-	14093	38975	38975	29231	19487	-	12992	34253	34253	25689	17126	-	11418	
		W	3072	3072	2457	1782	-	1220	2863	2863	2291	1661	-	1137	2465	2465	1972	1430	-	979	1901	1901	1520	1102	-	755	
82	27.8	Q(Btu/h)	45734	45734	34301	22867	-	15245	42404	42404	31803	21202	-	14135	39089	39089	29317	19545	-	13030	34353	34353	25765	17177	-	11451	
		W	2995	2995	2396	1737	-	1189	2743	2743	2194	1591	-	1089	2319	2319	1855	1345	-	921	1778	1778	1422	1031	-	706	
78	25.6	Q(Btu/h)	45868	45868	34401	22934	-	15289	42529	42529	31897	21264	-	14176	39204	39204	29403	19602	-	13068	34454	34454	25841	17227	-	11485	
		W	2918	2918	2334	1692	-	1159	2622	2622	2097	1521	-	1041	2172	2172	1738	1260	-	863	1655	1655	1324	960	-	657	
74	23.3	Q(Btu/h)	46002	46002	34502	23001	-	15334	42653	42653	31990	21327	-	14218	39319	39319	29489	19659	-	13106	34555	34555	25916	17278	-	11518	
		W	2841	2841	2273	1648	-	1128	2501	2501	2001	1451	-	993	2025	2025	1620	1175	-	804	1532	1532	1226	889	-	608	
70	21.1	Q(Btu/h)	46137	46137	34603	23068	-	15379	42778	42778	32083	21389	-	14259	39433	39433	29575	19717	-	13144	34656	34656	25992	17328	-	11552	
		W	2764	2764	2211	1603	-	1098	2380	2380	1904	1381	-	945	1879	1879	1503	1090	-	746	1409	1409	1127	817	-	560	
66	18.9	Q(Btu/h)	46204	46204	34653	23102	-	15401	42840	42840	32130	21420	-	14280	39491	39491	29618	19745	-	13164	34706	34706	26030	17353	-	11569	
		W	2727	2727	2181	1581	-	1083	2320	2320	1856	1346	-	921	1804	1804	1443	1046	-	716	1347	1347	1078	781	-	535	
62	16.7	Q(Btu/h)	46204	46204	34653	23102	-	15401	42840	42840	32130	21420	-	14280	39491	39491	29618	19745	-	13164	34706	34706	26030	17353	-	11569	
		W	2728	2728	2183	1582	-	1083	2320	2320	1856	1346	-	921	1800	1800	1440	1044	-	715	1345	1345	1076	780	-	534	
58	14.4	Q(Btu/h)	46204	46204	34653	23102	-	15401	42840	42840	32130	21420	-	14280	39491	39491	29618	19745	-	13164	34706	34706	26030	17353	-	11569	
		W	2730	2730	2184	1583	-	1084	2320	2320	1856	1346	-	921	1797	1797	1438	1042	-	714	1343	1343	1075	779	-	534	
54	12.2	Q(Btu/h)	46204	46204	34653	23102	-	15401	42840	42840	32130	21420	-	14280	39491	39491	29618	19745	-	13164	34706	34706	26030	17353	-	11569	
		W	2731	2731	2185	1584	-	1085	2320	2320	1856	1346	-	921	1794	1794	1435	1040	-	712	1342	1342	1073	778	-	533	
50	10.0	Q(Btu/h)	46204	46204	34653	23102	-	15401	42840	42840	32130	21420	-	14280	39491	39491	29618	19745	-	13164	34706	34706	26030	17353	-	11569	
		W	2733	2733	2186	1585	-	1085	2320	2320	1856	1346	-	921	1790	1790	1432	1038	-	711	1340	1340	1072	777	-	532	
46	7.8	Q(Btu/h)	46204	46204	34653	23102	-	15401	42840	42840	32130	21420	-	14280	39491	39491	29618	19745	-	13164	34706	34706	26030	17353	-	11569	
		W	2734	2734	2187	1586	-	1086	2320	2320	1856	1346	-	921	1787	1787	1429	1036	-	710	1338	1338	1070	776	-	531	
42	5.6	Q(Btu/h)	46204	46204	34653	23102	-	15401	42840	42840	32130	21420	-	14280	39491	39491	29618	19745	-	13164	34706	34706	26030	17353	-	11569	
		W	2736	2736	2189	1587	-	1086	2320	2320	1856	1346	-	921	1783	1783	1427	1034	-	708	1336	1336	1069	775	-	531	
38	3.3	Q(Btu/h)	46204	46204	34653	23102	-	15401	42840	42840	32130	21420	-	14280	39491	39491	29618	19745	-	13164	34706	34706	26030	17353	-	11569	
		W	2737	2737	2190	1588	-	1087	2320	2320	1856	1346	-	921	1780	1780	1424	1032	-	707	1335	1335	1068	774	-	530	
34	1.1	Q(Btu/h)	46204	46204	34653	23102	-	15401	42840	42840	32130	21420	-	14280	39491	39491	29618	19745	-	13164	34706	34706	26030	17353	-	11569	
		W	2739	2739	2191	1589	-	1088	2320	2320	1856	1346	-	921	1776	1776	1421	1030	-	705	1333	1333	1066	773	-	529	
30	-1.1	Q(Btu/h)	46204	46204	34653	23102	-	15401	42840	42840	32130	21420	-	14280	39491	39491	29618	19745	-	13164	34706	34706	26030	17353	-	11569	
		W	2740	2740	2192	1589	-	1088	2320	2320	1856	1346	-	921	1773	1773	1418	1028	-	704	1331	1331	1065	772	-	529	
26	-3.3	Q(Btu/h)	46204	46204	34653	23102	-	15401	42840	42840	32130	21420	-	1													

13. PART LOAD CAPACITY CHART

MXZ-SM42NLHZ-U1

2) Heating

Rated	
Q (Btu/h)	48000
W	3435

Indoor D.B.	Out-door W.B.	Out-door W.B.	79°F / 26.0°C						70°F / 21.1°C						61°F / 16.0°C					
			Max	Rated	75%	50%	25%	Min	Max	Rated	75%	50%	25%	Min	Max	Rated	75%	50%	25%	Min
60	15.6	Q(Btu/h)	38968	38968	29226	19484	-	10392	48000	48000	36000	24000	-	12800	57400	57400	43050	28700	-	15307
		W	1742	1742	1394	1010	-	573	2351	2351	1881	1364	-	773	2121	2121	1697	1230	-	698
55	12.8	Q(Btu/h)	38968	38968	29226	19484	-	10392	48000	48000	36000	24000	-	12800	57400	57400	43050	28700	-	15307
		W	1929	1929	1543	1119	-	635	2618	2618	2095	1519	-	861	2377	2377	1901	1379	-	782
50	10.0	Q(Btu/h)	38968	38968	29226	19484	-	10392	48000	48000	36000	24000	-	12800	57400	57400	43050	28700	-	15307
		W	2116	2116	1693	1227	-	696	2885	2885	2308	1674	-	949	2632	2632	2106	1527	-	866
47	8.3	Q(Btu/h)	38968	38968	29226	19484	-	10392	48000	48000	36000	24000	-	12800	57400	57400	43050	28700	-	15307
		W	2248	2248	1799	1304	-	740	3121	3121	2497	1810	-	1027	2821	2821	2257	1636	-	928
42	5.6	Q(Btu/h)	39570	39570	29678	19785	-	10552	48742	48742	36556	24371	-	12998	58287	58287	43715	29144	-	15543
		W	2462	2462	1970	1428	-	810	3469	3469	2775	2012	-	1141	3114	3114	2491	1806	-	1024
35	1.7	Q(Btu/h)	43950	43950	32963	21975	-	11720	54137	54137	40603	27088	-	14436	64739	64739	48554	32370	-	17264
		W	2722	2722	2177	1579	-	895	3710	3710	2968	2152	-	1220	3401	3401	2721	1973	-	1119
32	0.0	Q(Btu/h)	44183	44183	33137	22091	-	11782	54423	54423	40817	27211	-	14513	65081	65081	48811	32541	-	17355
		W	2832	2832	2266	1643	-	932	3828	3828	3062	2220	-	1259	3524	3524	2819	2044	-	1159
27	-2.8	Q(Btu/h)	43687	43687	32765	21844	-	11650	53813	53813	40360	26906	-	14350	64351	64351	48264	32176	-	17160
		W	3015	3015	2412	1748	-	992	4075	4075	3260	2364	-	1341	3729	3729	2983	2163	-	1227
22	-5.6	Q(Btu/h)	42757	42757	32068	21378	-	11402	52667	52667	39500	26333	-	14044	62981	62981	47236	31490	-	16795
		W	3237	3237	2590	1878	-	1065	4345	4345	3476	2520	-	1429	3923	3923	3139	2276	-	1291
17	-8.3	Q(Btu/h)	40051	40051	30038	20025	-	10680	49333	49333	37000	24667	-	13156	58995	58995	44246	29497	-	15732
		W	3624	3624	2899	2102	-	1192	4706	4706	3765	2729	-	1548	4075	4075	3260	2363	-	1340
12	-11.1	Q(Btu/h)	38968	38968	29226	19484	-	10392	48000	48000	36000	24000	-	12800	57400	57400	43050	28700	-	15307
		W	4119	4119	3295	2389	-	1355	5080	5080	4064	2946	-	1671	4208	4208	3366	2440	-	1384
5	-15.0	Q(Btu/h)	38968	38968	29226	19484	-	10392	48000	48000	36000	24000	-	12800	57400	57400	43050	28700	-	15307
		W	4912	4912	3930	2849	-	1616	5615	5615	4492	3257	-	1847	4377	4377	3502	2539	-	1440
2	-16.7	Q(Btu/h)	38968	38968	29226	19484	-	10392	48000	48000	36000	24000	-	12800	57400	57400	43050	28700	-	15307
		W	5107	5107	4085	2962	-	1680	5481	5481	4385	3179	-	1803	4142	4142	3314	2402	-	1363
-3	-19.4	Q(Btu/h)	38968	38968	29226	19484	-	10392	48000	48000	36000	24000	-	12800	57400	57400	43050	28700	-	15307
		W	5431	5431	4345	3150	-	1787	5257	5257	4206	3049	-	1729	3750	3750	3000	2175	-	1234
-8	-22.2	Q(Btu/h)	38968	38968	29226	19484	-	10392	48000	48000	36000	24000	-	12800	57400	57400	43050	28700	-	15307
		W	5771	5771	4617	3347	-	1898	5019	5019	4015	2911	-	1651	3334	3334	2667	1934	-	1097
-13	-25.0	Q(Btu/h)	38968	38968	29226	19484	-	10392	48000	48000	36000	24000	-	12800	57400	57400	43050	28700	-	15307
		W	5496	5496	4397	3188	-	1808	4809	4809	3847	2789	-	1582	2967	2967	2374	1721	-	976

MXZ-SM-NL-U1, MXZ-SM-NLHZ-U1

MXZ-SM48NLHZ-U1

1) Cooling

Rated	
Q (Btu/h)	48000
W	3665

MXZ-SM-NL-U1, MXZ-SM-NLHZ-U1

Indoor W.B.	Out-door D.B.	Out-door D.B. (°F)	Out-door D.B. (°C)	72°F / 22.0°C						67°F / 19.4°C						64°F / 18.0°C						61°F / 16.0°C					
				Max	Rated	75%	50%	25%	Min	Max	Rated	75%	50%	25%	Min	Max	Rated	75%	50%	25%	Min	Max	Rated	75%	50%	25%	Min
115	46.1	Q(Btu/h)	32718	32718	24538	16359	-	10224	30336	30336	22752	15168	-	9480	27964	27964	20973	13982	-	8739	24576	24576	18432	12288	-	7680	
		W	1671	1671	1337	969	-	559	1818	1818	1454	1054	-	608	1847	1847	1478	1071	-	617	1893	1893	1514	1098	-	633	
110	43.3	Q(Btu/h)	38977	38977	29233	19489	-	12180	36140	36140	27105	18070	-	11294	33314	33314	24986	16657	-	10411	29278	29278	21959	14639	-	9149	
		W	2230	2230	1784	1293	-	745	2430	2430	1944	1410	-	812	2499	2499	1999	1449	-	835	2624	2624	2099	1522	-	877	
106	41.1	Q(Btu/h)	43985	43985	32989	21992	-	13745	40783	40783	30587	20391	-	12745	37594	37594	28196	18797	-	11748	33040	33040	24780	16520	-	10325	
		W	2719	2719	2175	1577	-	909	2966	2966	2373	1720	-	991	3069	3069	2455	1780	-	1026	2927	2927	2341	1697	-	978	
102	38.9	Q(Btu/h)	48290	48290	36218	24145	-	15091	44774	44774	33581	22387	-	13992	41274	41274	30956	20637	-	12898	36273	36273	27205	18137	-	11335	
		W	3162	3162	2529	1834	-	1057	3389	3389	2711	1966	-	1133	3566	3566	2852	2068	-	1192	2801	2801	2241	1625	-	936	
98	36.7	Q(Btu/h)	51187	51187	38390	25593	-	15996	47460	47460	35595	23730	-	14831	43750	43750	32812	21875	-	13672	38449	38449	28837	19225	-	12015	
		W	3670	3670	2936	2128	-	1227	3747	3747	2998	2174	-	1253	3379	3379	2703	1960	-	1130	2644	2644	2115	1534	-	884	
94	34.4	Q(Btu/h)	51807	51807	38855	25904	-	16190	48036	48036	36027	24018	-	15011	44280	44280	33210	22140	-	13838	38915	38915	29187	19458	-	12161	
		W	3771	3771	3017	2187	-	1260	3630	3630	2904	2105	-	1213	3225	3225	2580	1870	-	1078	2509	2509	2007	1455	-	839	
90	32.2	Q(Btu/h)	51961	51961	38971	25980	-	16238	48178	48178	36133	24089	-	15056	44411	44411	33308	22206	-	13879	39031	39031	29273	19515	-	12197	
		W	3681	3681	2945	2135	-	1230	3489	3489	2791	2023	-	1166	3053	3053	2443	1771	-	1021	2365	2365	1892	1372	-	791	
86	30.0	Q(Btu/h)	52114	52114	39086	26057	-	16286	48320	48320	36240	24160	-	15100	44542	44542	33407	22271	-	13920	39146	39146	29359	19573	-	12233	
		W	3591	3591	2873	2083	-	1200	3347	3347	2678	1941	-	1119	2882	2882	2306	1672	-	963	2222	2222	1778	1289	-	743	
82	27.8	Q(Btu/h)	52267	52267	39201	26134	-	16334	48462	48462	36347	24231	-	15144	44674	44674	33505	22337	-	13960	39261	39261	29446	19631	-	12269	
		W	3501	3501	2801	2031	-	1170	3206	3206	2565	1860	-	1072	2711	2711	2169	1572	-	906	2078	2078	1663	1205	-	695	
78	25.6	Q(Btu/h)	52421	52421	39316	26210	-	16382	48604	48604	36453	24302	-	15189	44805	44805	33603	22402	-	14001	39376	39376	29532	19688	-	12305	
		W	3411	3411	2729	1979	-	1140	3065	3065	2452	1778	-	1024	2539	2539	2031	1473	-	849	1935	1935	1548	1122	-	647	
74	23.3	Q(Btu/h)	52574	52574	39431	26287	-	16429	48747	48747	36560	24373	-	15233	44936	44936	33702	22468	-	14042	39492	39492	29619	19746	-	12341	
		W	3222	3222	2657	1926	-	1110	2924	2924	2339	1696	-	977	2368	2368	1894	1373	-	791	1791	1791	1433	1039	-	599	
70	21.1	Q(Btu/h)	52728	52728	39546	26364	-	16477	48889	48889	36667	24444	-	15278	45067	45067	33800	22533	-	14083	39607	39607	29705	19803	-	12377	
		W	3232	3232	2585	1874	-	1080	2783	2783	2226	1614	-	930	2197	2197	1757	1274	-	734	1647	1647	1318	956	-	551	
66	18.9	Q(Btu/h)	52804	52804	39603	26402	-	16501	48960	48960	36720	24480	-	15300	45132	45132	33849	22566	-	14104	39664	39664	29748	19832	-	12395	
		W	3188	3188	2550	1849	-	1065	2712	2712	2170	1573	-	907	2109	2109	1687	1223	-	705	1575	1575	1260	913	-	526	
62	16.7	Q(Btu/h)	52804	52804	39603	26402	-	16501	48960	48960	36720	24480	-	15300	45132	45132	33849	22566	-	14104	39664	39664	29748	19832	-	12395	
		W	3189	3189	2552	1850	-	1066	2712	2712	2170	1573	-	907	2105	2105	1684	1221	-	704	1573	1573	1258	912	-	526	
58	14.4	Q(Btu/h)	52804	52804	39603	26402	-	16501	48960	48960	36720	24480	-	15300	45132	45132	33849	22566	-	14104	39664	39664	29748	19832	-	12395	
		W	3191	3191	2553	1851	-	1067	2712	2712	2170	1573	-	907	2101	2101	1681	1218	-	702	1571	1571	1256	911	-	525	
54	12.2	Q(Btu/h)	52804	52804	39603	26402	-	16501	48960	48960	36720	24480	-	15300	45132	45132	33849	22566	-	14104	39664	39664	29748	19832	-	12395	
		W	3193	3193	2554	1852	-	1067	2712	2712	2170	1573	-	907	2097	2097	1677	1216	-	701	1568	1568	1255	910	-	524	
50	10.0	Q(Btu/h)	52804	52804	39603	26402	-	16501	48960	48960	36720	24480	-	15300	45132	45132	33849	22566	-	14104	39664	39664	29748	19832	-	12395	
		W	3195	3195	2556	1853	-	1068	2712	2712	2170	1573	-	907	2093	2093	1674	1214	-	699	1566	1566	1253	909	-	524	
46	7.8	Q(Btu/h)	52804	52804	39603	26402	-	16501	48960	48960	36720	24480	-	15300	45132	45132	33849	22566	-	14104	39664	39664	29748	19832	-	12395	
		W	3197	3197	2557	1854	-	1068	2712	2712	2170	1573	-	907	2089	2089	1671	1211	-	698	1564	1564	1251	907	-	523	
42	5.6	Q(Btu/h)	52804	52804	39603	26402	-	16501	48960	48960	36720	24480	-	15300	45132	45132	33849	22566	-	14104	39664	39664	29748	19832	-	12395	
		W	3198	3198	2559	1855	-	1069	2712	2712	2170	1573	-	907	2085	2085	1668	1209	-	697	1562	1562	1250	906	-	522	
38	3.3	Q(Btu/h)	52804	52804	39603	26402	-	16501	48960	48960	36720	24480	-	15300	45132	45132	33849	22566	-	14104	39664	39664	29748	19832	-	12395	
		W	3200	3200	2560	1856	-	1070	2712	2712	2170	1573	-	907	2081	2081	1664	1207	-	695	1560	1560	1248	905	-	521	
34	1.1	Q(Btu/h)	52804	52804	39603	26402	-	16501	48960	48960	36720	24480	-	15300	45132	45132	33849	22566	-	14104	39664	39664	29748	19832	-	12395	
		W	3202	3202	2562	1857	-	1070	2712	2712	2170	1573	-	907	2077	2077	1661	1204	-	694	1558	1558	1247	904	-	521	
30	-1.1	Q(Btu/h)	52804	52804	39603	26402	-	16501	48960	48960	36720	24480	-	15300	45132	45132	33849	22566	-	14104	39664	39664	29748	19832	-	12395	
		W	3204	3204	2563	1858	-	1071	2712	2712	2170	1573	-	907	2073	2073	1658	1202	-	693	1556	1556	1245	903	-	520	
26	-3.3	Q(Btu/h)	52804	52804	39603	26402	-	16501	48960	48960	36720	24480	-														

13. PART LOAD CAPACITY CHART

MXZ-SM48NLHZ-U1

2) Heating

Rated	
Q (Btu/h)	54000
W	3960

Indoor D.B.	Out-door W.B.	Out-door W.B.	79°F / 26.0°C						70°F / 21.1°C						61°F / 16.0°C					
			Max	Rated	75%	50%	25%	Min	Max	Rated	75%	50%	25%	Min	Max	Rated	75%	50%	25%	Min
60	15.6	Q(Btu/h)	43839	43839	32880	21920	10960	10554	54000	54000	40500	27000	13500	13000	64575	64575	48432	32288	16144	15546
		W	2008	2008	1607	1165	763	598	2710	2710	2168	1572	1030	808	2446	2446	1957	1419	929	729
55	12.8	Q(Btu/h)	43839	43839	32880	21920	10960	10554	54000	54000	40500	27000	13500	13000	64575	64575	48432	32288	16144	15546
		W	2224	2224	1779	1290	845	663	3018	3018	2415	1751	1147	899	2740	2740	2192	1589	1041	816
50	10.0	Q(Btu/h)	43839	43839	32880	21920	10960	10554	54000	54000	40500	27000	13500	13000	64575	64575	48432	32288	16144	15546
		W	2439	2439	1951	1415	927	727	3326	3326	2661	1929	1264	991	3034	3034	2428	1760	1153	904
47	8.3	Q(Btu/h)	43839	43839	32880	21920	10960	10554	54000	54000	40500	27000	13500	13000	64575	64575	48432	32288	16144	15546
		W	2592	2592	2074	1503	985	772	3598	3598	2878	2087	1367	1072	3252	3252	2602	1886	1236	969
42	5.6	Q(Btu/h)	44517	44517	33387	22258	11129	10717	54834	54834	41126	27417	13709	13201	65573	65573	49180	32787	16393	15786
		W	2839	2839	2271	1646	1079	846	4000	4000	3200	2320	1520	1192	3590	3590	2872	2082	1364	1070
35	1.7	Q(Btu/h)	49444	49444	37083	24722	12361	11903	60904	60904	45678	30452	15226	14662	72831	72831	54624	36416	18208	17533
		W	3138	3138	2510	1820	1192	935	4277	4277	3421	2481	1625	1274	3921	3921	3137	2274	1490	1168
32	0.0	Q(Btu/h)	49706	49706	37279	24853	12426	11966	61226	61226	45919	30613	15306	14740	73216	73216	54912	36608	18304	17626
		W	3265	3265	2612	1894	1241	973	4413	4413	3530	2560	1677	1315	4063	4063	3250	2356	1544	1211
27	-2.8	Q(Btu/h)	49148	49148	36861	24574	12287	11832	60539	60539	45404	30270	15135	14574	72395	72395	54297	36198	18099	17429
		W	3475	3475	2780	2016	1321	1036	4698	4698	3759	2725	1785	1400	4299	4299	3439	2493	1634	1281
22	-5.6	Q(Btu/h)	48102	48102	36076	24051	12025	11580	59250	59250	44438	29625	14813	14264	70854	70854	53140	35427	17713	17057
		W	3732	3732	2986	2165	1418	1112	5009	5009	4008	2905	1904	1493	4523	4523	3618	2623	1719	1348
17	-8.3	Q(Btu/h)	45057	45057	33793	22529	11264	10847	55500	55500	41625	27750	13875	13361	66369	66369	49777	33185	16592	15978
		W	4178	4178	3342	2423	1588	1245	5425	5425	4340	3147	2062	1617	4697	4697	3758	2724	1785	1400
12	-11.1	Q(Btu/h)	43839	43839	32880	21920	10960	10554	54000	54000	40500	27000	13500	13000	64575	64575	48432	32288	16144	15546
		W	4748	4748	3798	2754	1804	1415	5856	5856	4685	3397	2225	1745	4851	4851	3881	2813	1843	1445
5	-15.0	Q(Btu/h)	43839	43839	32880	21920	10960	10554	54000	54000	40500	27000	13500	13000	64575	64575	48432	32288	16144	15546
		W	5663	5663	4530	3284	2152	1687	6474	6474	5179	3755	2460	1929	5046	5046	4037	2927	1917	1504
2	-16.7	Q(Btu/h)	43839	43839	32880	21920	10960	10554	54000	54000	40500	27000	13500	13000	64575	64575	48432	32288	16144	15546
		W	5887	5887	4710	3415	2237	1754	6319	6319	5055	3665	2401	1883	4775	4775	3820	2770	1815	1423
-3	-19.4	Q(Btu/h)	43839	43839	32880	21920	10960	10554	54000	54000	40500	27000	13500	13000	64575	64575	48432	32288	16144	15546
		W	6261	6261	5009	3631	2379	1866	6060	6060	4848	3515	2303	1806	4324	4324	3459	2508	1643	1288
-8	-22.2	Q(Btu/h)	43839	43839	32880	21920	10960	10554	54000	54000	40500	27000	13500	13000	64575	64575	48432	32288	16144	15546
		W	6653	6653	5322	3859	2528	1982	5786	5786	4628	3356	2199	1724	3843	3843	3075	2229	1460	1145
-13	-25.0	Q(Btu/h)	43839	43839	32880	21920	10960	10554	54000	54000	40500	27000	13500	13000	64575	64575	48432	32288	16144	15546
		W	6336	6336	5069	3675	2408	1888	5544	5544	4435	3215	2107	1652	3421	3421	2737	1984	1300	1019

MXZ-SM-NL-U1, MXZ-SM-NLHZ-U1

⚠ Warning

- Do not use refrigerant other than the type indicated in the manuals provided with the unit and on the nameplate.
 - Doing so may cause the unit or pipes to burst, or result in explosion or fire during use, repair, or at the time of disposal of the unit.
 - It may also be in violation of applicable laws.
 - MITSUBISHI ELECTRIC CORPORATION cannot be held responsible for malfunctions or accidents resulting from the use of the wrong type of refrigerant.
- Our air conditioning equipment and heat pumps contain a fluorinated greenhouse gas, R454B.

mitsubishi **MITSUBISHI ELECTRIC CORPORATION**

HEAD OFFICE: TOKYO BUILDING, 2-7-3, MARUNOUCHI, CHIYODA-KU, TOKYO 100-8310, JAPAN
www.MitsubishiElectric.com