

*This product utilizes R-454B refrigerant*

# VersaPro®

# Gas Packaged Unit

## Installation Manual

### MODELS:

- MPG\*S\*MO13C



Read this manual carefully before installation and keep it where the operator can easily find it for future reference.

Due to updates and constantly improving performance, the information and instructions within this manual are subject to change without notice.

Version Date: March 2, 2026  
Please visit [www.mrcool.com/documentation](http://www.mrcool.com/documentation)  
to ensure you have the latest version of this manual.



## CONTENTS

<b>1 SAFETY</b> .....	2
<b>2 UNIT OVERVIEW</b> .....	7
2.1 Inspection .....	7
2.2 Limitations .....	7
2.3 Unit Description .....	7
2.4 Dimensions .....	8
<b>3 INSTALLATION</b> .....	14
3.1 Pre-Installation Checkpoints .....	14
3.2 Location Considerations .....	14
3.3 Outside Installation .....	14
3.4 Attaching Exhaust & Combustion Air Inlet Hoods .....	15
3.5 Cover Panel Installation / Conversion Procedure .....	15
3.6 Clearance .....	16
3.7 Rigging & Handling .....	17
3.8 Roof Curb .....	19
3.9 Ductwork .....	20
3.10 Return Air .....	20
3.11 Filters .....	20
<b>4 GAS SUPPLY, CONDENSATE DRAIN, &amp; PIPING</b> .....	20
4.1 Gas Connection .....	20
4.2 Conversion .....	22
4.3 Adjusting or Checking Furnace Input .....	23
4.4 Condensate Drain .....	24
<b>5 WIRING</b> .....	24
5.1 Power Supply .....	24
5.2 Hook-Up .....	25
5.3 Internal Wiring .....	26
5.4 Thermostat .....	26
<b>6 FURNACE SECTION CONTROLS &amp; IGNITION SYSTEM</b> .....	27
6.1 Normal Furnace Operating System .....	27
6.2 Operating Instructions .....	27
6.3 Starting the Furnace .....	28
6.4 Shutting Down the Furnace .....	28
6.5 Burners .....	29
6.6 Manual Reset Over Temperature Control .....	29
6.7 Pressure Switch .....	29
6.8 Limit Control .....	29
<b>7 SYSTEM OPERATING INFORMATION</b> .....	29
7.1 User Reminders .....	29
7.2 Furnace Section Maintenance .....	29
7.3 Lubrication .....	31
7.4 Cooling Section Maintenance .....	31
7.5 Replacement Parts .....	32
7.6 Wiring Diagram .....	32
7.7 Charging .....	32
7.8 Blower Motor Speed Taps .....	32

## CONTENTS, CONTD.

<b>8</b>	<b>OPERATION</b> .....	33
8.1	Control System Operation.....	33
8.2	Fan Delay Adjustment.....	33
<b>9</b>	<b>SEER2 PHYSICAL DATA</b> .....	35
<b>10</b>	<b>AIRFLOW PERFORMANCE</b> .....	37
10.1	Indoor Airflow Performance-230 Volts .....	37
10.2	Motor Speed from Factory .....	39
<b>11</b>	<b>TROUBLESHOOTING &amp; WIRING DIAGRAMS</b> .....	40
11.1	Troubleshooting Chart.....	40
11.2	High Altitude .....	42
11.3	Fuse Parameters.....	43
11.4	Wiring Diagrams .....	44

## Safety Precautions

### Read Before Using

Incorrect usage may cause serious damage or injury.

Keep this manual for future reference.

These instructions do not cover all of the different variations of systems nor does it provide for every possible contingency to be met in connection with installation.



Indicates the most serious hazards which will result in severe personal injury, property and/or product damage, or death.



Indicates hazards which could result in moderate personal injury and/or property and product damage.

**NOTE**

Indicates suggestions which will result in enhanced installation, reliability, or operation.



### **WARNING: FIRE & EXPLOSION**

**FAILURE TO FOLLOW SAFETY WARNINGS COULD RESULT IN SERIOUS INJURY, DEATH, OR PROPERTY DAMAGE.**

**INSTALLATION & SERVICE MUST BE PERFORMED BY A LICENSED PLUMBER OR GAS FITTER FOR APPROPRIATE FUEL.**

**DO NOT** store gasoline or other flammable vapors and liquids in the vicinity of the unit or any other appliance.

#### **What to do if you smell gas:**

- Do not attempt to light any appliance, touch any electrical switches, or use any phone in the building.
- Immediately call your gas supplier from a phone outside of the building and follow the gas supplier's instructions.
- If you cannot reach your gas supplier, call the fire department.
- Do not return to your home until authorized by the gas supplier or fire department.



## WARNING: FIRE & EXPLOSION (CONTD.)

- The furnace is designed and approved for use with Natural Gas ONLY. DO NOT BURN ANY LIQUID FUEL OR SOLID FUEL IN THIS UNIT.
- Burning any unapproved fuel will result in damage to the unit heat exchanger, which could result in fire, Carbon Monoxide poisoning, explosion, personal injury, property damage and/or death.
- Do not use this furnace if any part has been under water. A flood-damaged furnace is extremely dangerous. Attempts to use the furnace can result in fire or explosion. A qualified service agency should be contacted to inspect the furnace and to replace all gas controls, control system parts, and electrical parts that have been wet. Replacement of the furnace may be deemed necessary.



## CAUTION: LOCATION SELECTION

1. The unit is design for use with natural and propane gases (see furnace rating plate) and for installation outside only. The furnace is factory-shipped for use with natural gas only. A listed accessory gas conversion kit is required to convert furnace for use with propane gas. The LP conversion kit is included with the unit.
2. The furnaces must be kept free and clear of insulating materials. Inspect the surrounding area to ensure insulation material is in safe distance when installing furnace or adding insulation materials. Insulation materials may be combustible.
3. Furnace operation needs air for combustion and ventilation. Do not block or obstruct air openings on furnace or spacing around furnace required for supplying sufficient combustion air and ventilation.

## NOTE FOR OPTIMAL OPERATION

Before heating season begins, examine the furnace to determine that:

- All flue gas carrying areas external to the furnace (i.e. chimney, vent connector) are clear and free of obstructions.
- The vent connector is in place, slopes upward, and is physically sound without holes or excessive corrosion.
- The return-air duct connection(s) is physically sound, is sealed to the unit casing, and terminates outside the space containing the unit.
- The physical support of the furnace is sound without sagging, cracks, gaps, etc. around the base so as to provide a seal between the support and the base.
- There are no obvious signs of deterioration of the unit.
- The burner flames are adjusted appropriately.



## WARNING: PROPOSITION 65

- This appliance contains fiberglass insulation. Respirable particles of fiberglass are known to the state of California to cause cancer. Exhaust gas from this appliance contains chemicals, including carbon monoxide, known to the state of California to cause birth defects or other reproductive harm.

### Symbols Displayed on Unit

	<b>WARNING</b>	This symbol shows that this appliance uses a flammable refrigerant. If the refrigerant is leaked and exposed to an external ignition source, there is a risk of fire.
	<b>CAUTION</b>	This symbol shows that the operation manual should be read carefully.
	<b>CAUTION</b>	This symbol shows what a service personnel should be handling this equipment with reference to the installation manual.
	<b>CAUTION</b>	This symbol shows that information is available such as the operating manual or installation manual.



## GENERAL WARNINGS FOR SAFETY

- Improper adjustment, alteration, service, maintenance or installation can cause serious injury or death. Read and follow instructions and precautions in User's Information Manual provided with this furnace. Installation and service must be performed by a qualified service agency or the gas supplier.
- Should the gas supply fail to shut off or if overheating occurs, shut off the manual gas valve to the furnace before shutting off the electrical supply.
- Never test for gas leaks with an open flame. Use a commercially available soap solution made specifically for the detection of leaks to check all connections, as specified in this manual.
- This appliance is not intended for use by persons (including children) with reduced physical, sensory, or mental capabilities, or lack of experience and knowledge, unless they have been given supervision or instruction concerning use of the appliance by a person responsible for their safety.
- Children should be supervised to ensure they do not play with the unit.
- These instructions are intended as an aid to qualified, licensed service personnel for proper installation, adjustment and operation of this unit. Read these instructions thoroughly before attempting installation or operation. Failure to follow these instructions may result in improper installation, adjustment, service or maintenance possibly resulting in fire, electrical shock, property damage, personal injury or death.
- MRCOOL®'s warranty does not cover any damage or defect to the gas/electric unit caused by the attachment or use of any components, accessories or devices (other than those authorized by the MRCOOL®) into, onto or in conjunction with the gas/electric unit. You should be aware that the use of unauthorized components, accessories or devices may adversely affect the operation of the gas/electric unit and may also endanger life and property. MRCOOL® disclaims any responsibility for such loss or injury resulting from the use of such unauthorized components, accessories or devices.
- Do not, under any circumstances, connect return ductwork to another heat producing device such as a fireplace insert, stove, etc. Unauthorized use of such devices may result in fire, Carbon Monoxide poisoning, explosion, property damage, severe personal injury or death.
- This unit is designed for outdoor installation only. Installation inside any part of a structure can result in inadequate unit performance as well as property damage. Installation inside can also cause recirculation of flue products into the conditioned space resulting in personal injury or death.
- The spark igniter and ignition lead from the ignition control are high voltage. Keep hands or tools away to prevent electrical shock. Shut off electrical power before servicing any of the controls. Failure to adhere to this warning can result in personal injury or death.
- Never allow products of combustion or the flue products to enter the return air ductwork, or the circulating air supply. All return ductwork must be adequately sealed and secured to the furnace with sheet metal screws, and joints taped. All other duct joints must be secured with approved connections and sealed airtight. Failure to prevent products of combustion from being circulated into the living space can create potentially hazardous conditions, including Carbon Monoxide poisoning that could result in personal injury or death.
- Holes in the exhaust transition or heat exchanger can cause toxic fumes to enter the home. The exhaust transition or heat exchanger must be replaced if they have holes or cracks in them. Failure to do so can cause Carbon Monoxide poisoning resulting in personal injury or death.
- All phases of this installation must comply with national, state, and local codes. If additional information is required, contact your local distributor.
- Wear safety glasses, protective clothing, and work gloves.
- Have a fire extinguisher available.
- Read these instructions thoroughly as well as those attached to the unit.
- Improper installation or misapplication of furnace may require excessive servicing or cause premature component failure. Application of this furnace should be indoors with special attention given to vent sizing and material, gas input rate, air temperature rise, unit leveling, and unit sizing.

## GENERAL WARNINGS FOR SAFETY

- Always install furnace to operate within the furnace's intended temperature-rise range with a duct system which has an external static pressure within the allowable range. Also see the furnace rating plate.
- When the unit is installed so that supply ducts carry air circulated by the furnace to areas outside the space containing the furnace, the return air shall also be handled by duct(s) sealed to the furnace casing and terminating outside the space containing the unit.
- The furnace may be used for construction heat provided that the furnace installation and operation complies with the safety warnings within this manual.
- Do not attempt to manually light this furnace with a match or any open flame. Attempting to do so can cause fire or explosion resulting in property damage, personal injury or death.
- Disconnect all power to the unit before starting maintenance. Failure to do so can result in severe electrical shock or death. Regular maintenance will reduce the buildup of contaminants and help to protect the unit's finish.
- Turn off the main electrical power at the branch circuit disconnect closest to the unit before attempting any wiring. Failure to do so can cause electrical shock resulting in personal injury or death.
- **DO NOT JUMPER THIS DEVICE!** Do not reset the over temperature control without taking corrective action to assure that an adequate supply of combustion air is maintained under all conditions of operation. Failure to do so can result in Carbon Monoxide poisoning or death. Replace this control only with the identical replacement part.
- Install this unit only in a location and position as specified in the location requirements and considerations section of these instructions. Provide adequate combustion and ventilation air to the unit space as specified in the venting section of these instructions.
- Do not use this unit during construction (if air laden corrosive compounds are in the air) such as chlorine and fluorine. Otherwise, provisions must be taken to provide clean, uncontaminated combustion and ventilation air to the unit. Combustion and ventilation air contaminated with these compounds form acids during combustion which corrodes the heat exchanger and component parts. Some of these contaminants are found in, but not limited to, paneling, dry wall, adhesives, paints, stains, varnishes, sealers, and masonry cleaning materials.
- Improper installation, adjustment, alteration, service, maintenance or use could cause carbon monoxide poisoning, explosion, fire, electrical shock or other conditions which may cause personal injury or property damage. Consult a qualified service agency, local gas supplier, your distributor or branch for information or assistance. The qualified service agency must use only factory-authorized and listed kits or accessories when modifying this product.
- Improper installation, adjustment, alteration, service, maintenance, or use can cause explosion, fire, electrical shock, or other conditions which may cause death, personal injury, or property damage. Consult a qualified installer, service agency, or your distributor or branch for information or assistance. The qualified installer or agency must use factory-authorized kits or accessories when modifying this product.
- Refer to the individual instructions packaged with the kits or accessories when installing.
- Consult local building codes, the current editions of the National Fuel Gas Code (NFGC) NFPA 54/ANSI Z223.1 and the National Electrical Code (NEC) NFPA 70.
- A manufactured (mobile) home installation must conform with the Manufactured Home Construction and Safety Standard, Title 24 CFR, Part 3280, or when this Standard is not applicable, the Standard for Manufactured Home Installations (Manufactured Home Sites, Communities and Set-Ups), ANSI/NCS A225.1, and/or MH Series Mobile Homes, CAN/CSA Z240.
- In Canada, refer to the current editions of the National Standards of Canada CAN/CSA-BI49.1 and .2 Natural Gas and Propane Installation Codes, and Canadian Electrical Code CSA C22.1
- Use only with type of gas approved for this unit. Refer to the unit rating plate.
- Install this unit only in a location and position as specified in the "Installation" section of these instructions.
- Provide adequate combustion and ventilation air to the unit space.

## FOR YOUR SAFETY, READ BEFORE OPERATING.

**WARNING:** If these instructions are not followed exactly, it may result in a fire or explosion causing property damage, personal injury, or loss of life.

**A.** This appliance does not have a pilot. It is equipped with an ignition device which automatically lights the burner. DO NOT try to light the burner by hand.

**B.** Before operating, smell all around the appliance area for gas. Be sure to smell next to the floor as some gas is heavier than air and will settle on the floor.

What to do if you smell gas:

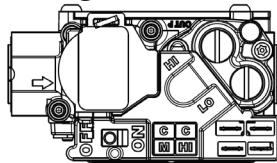
- Do not try to light any appliance.
- Do not touch any electrical switch; do not use a phone inside the building.
- Immediately call your gas supplier from a phone outside of the building. Follow the gas supplier's instructions.
- If you cannot reach your gas supplier, call the fire department.

**C.** Use only your hand to turn the gas control switch. Never use tools. If the switch will not turn by hand, do not try to repair it; call a qualified service technician. Force or attempted repair may result in a fire or explosion.

**D.** Do not use this appliance if any part has been under water. Immediately call a qualified service technician to inspect the appliance and to replace any part of the control system and any gas control which has been under water.

## OPERATING INSTRUCTIONS:

1. STOP! Read the safety information above on this label.
2. Set the thermostat to lowest setting.
3. Turn off all electric power to the appliance.
4. This appliance is equipped with an ignition device which automatically lights the burner. Do not try to light the burner by hand.



SWITCH SHOWN IN THE "OFF" POSITION

5. Remove control access panel.
6. Wait five (5) minutes to clear out any gas. If you smell gas, STOP. Follow "B" in the safety information above. If you don't smell gas, go to the next step.
7. Push gas control switch to "ON". Do not force.
8. Replace control access panel.
9. Turn on all electric power to the appliance.
10. Set the thermostat to the desired setting.
11. If the appliance will not operate, follow the instructions below regarding turning off the gas to the appliance and call your service technician or gas supplier.

## TURNING OFF GAS TO APPLIANCE

1. Set the thermostat to its lowest setting.
2. Turn off all electric power to the appliance if service is to be performed.
3. Remove control access panel.
4. Push gas control to "OFF". Do not force.
5. Replace control access panel.

## 2 UNIT OVERVIEW

### 2.1 Inspection

As soon as unit is received, it should be inspected and noted for possible shipping damage during transportation. It is shipper's responsibility to cover the cost of shipping damage. MRCOOL® or the distributor will not accept the claims from dealer for any transportation damage.

### 2.2 Limitations

If components are to be added to a unit, they must meet local codes, and must to be installed at the dealer's and /or the customer's expense. The size of unit for proposed installation should be based on heat loss / heat gain calculations made in accordance with industry recognized procedures identified by the Air Conditioning Contractors of America.

### 2.3 Unit Description

The MRCOOL®VERSAPRO® Gas Packaged Unit is a fully self-contained, combination gas heating/electric cooling unit designed for outdoor installation. All unit sizes have return and discharge openings for both horizontal and downflow configurations, and are factory shipped with all downflow duct openings covered. Units may be installed either on a rooftop or on a cement slab.

In gas heating mode, this unit is designed for a minimum continuous return-air temperature and a maximum continuous return-air temperature. Failure to follow these return-air temperature limits may affect reliability of heat exchangers, motors, and other components.

This manual contains the installation and operating instructions for your Packaged Gas Electric Unit. There are some precautions that should be taken to derive maximum satisfaction from it. Improper installation can result in unsatisfactory operation or dangerous conditions. Read this manual and any instructions packaged with separate equipment required to make up the system prior to installation. Give this manual to the owner and explain its provisions.

The owner should retain this manual for future reference.

A Packaged Gas Electric Unit includes a hermetically-sealed refrigerating system consisting of a compressor, condenser coil, evaporator coil throttle valve, a circulation air blower, a condenser fan, a heat exchanger assembly, gas burner and control assembly, combustion air motor and fan, and all necessary internal electrical wiring. The cooling system of these units is factory-evacuated, charged and performance tested. All units are factory charged with Refrigerant R454B.

The figures shown in this manual are for reference only and may be slightly different from the actual product.

## 2.4 Dimensions

MPG24S060MO13C, MPG30S060MO13C, MPG36S090MO13C

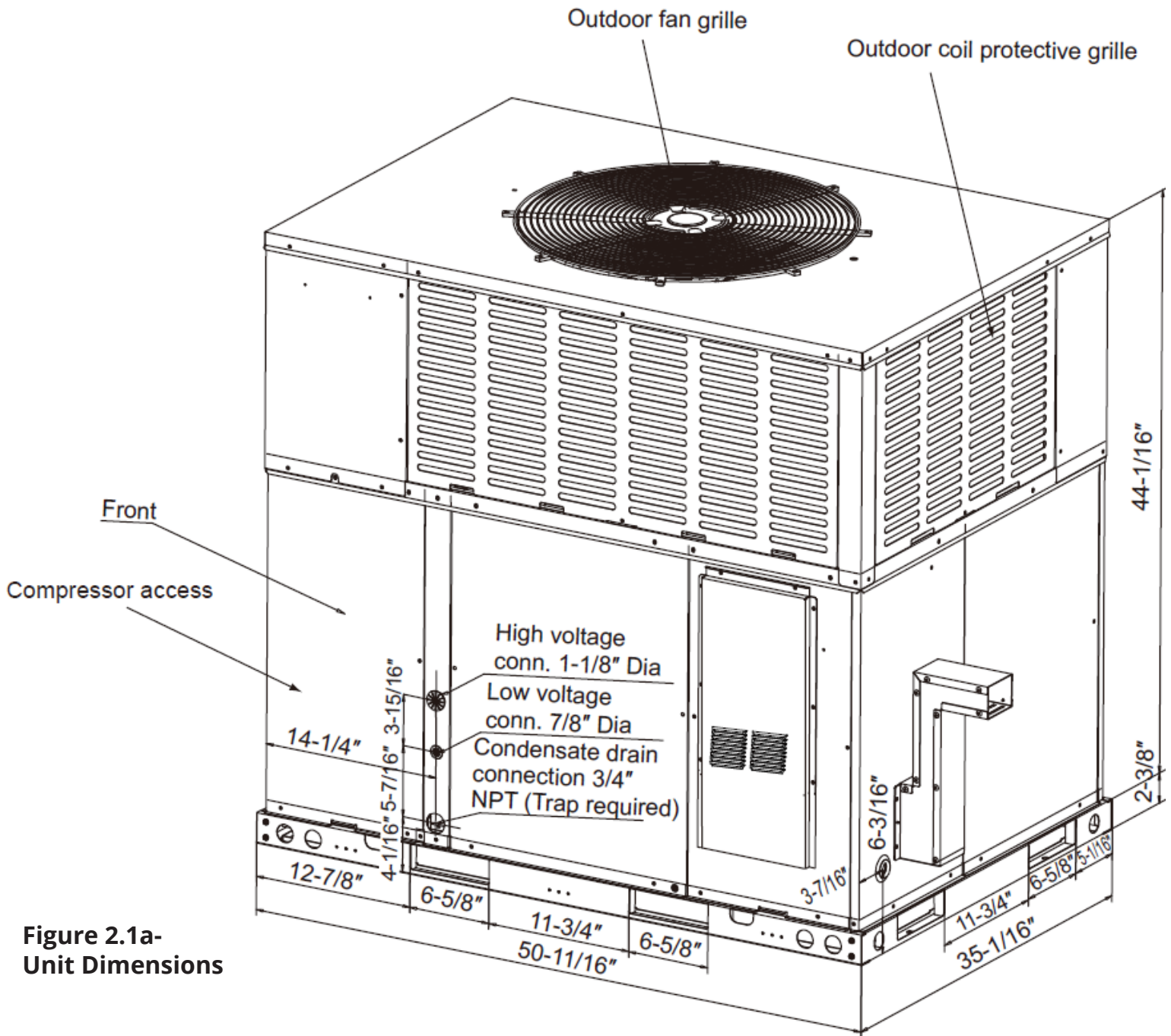


Figure 2.1a-  
Unit Dimensions

\*The above figure is for reference purposes only.

# 2 UNIT OVERVIEW

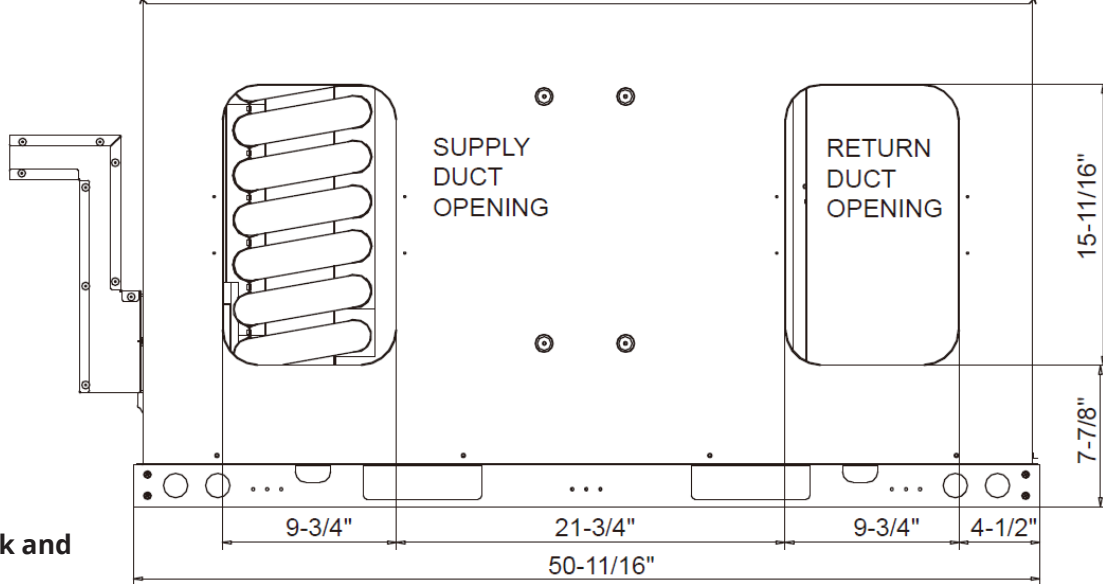
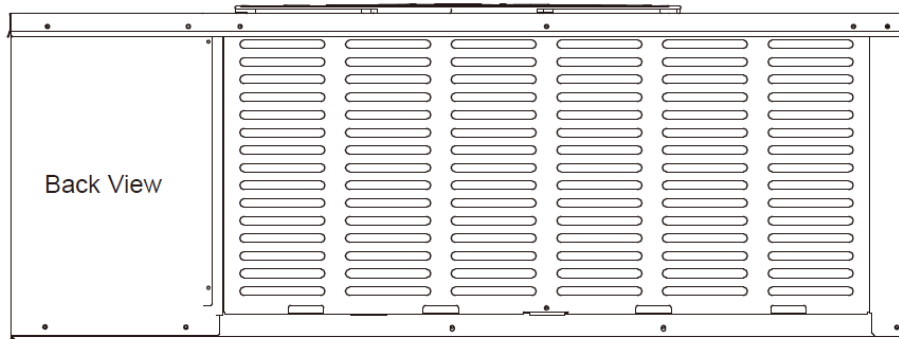
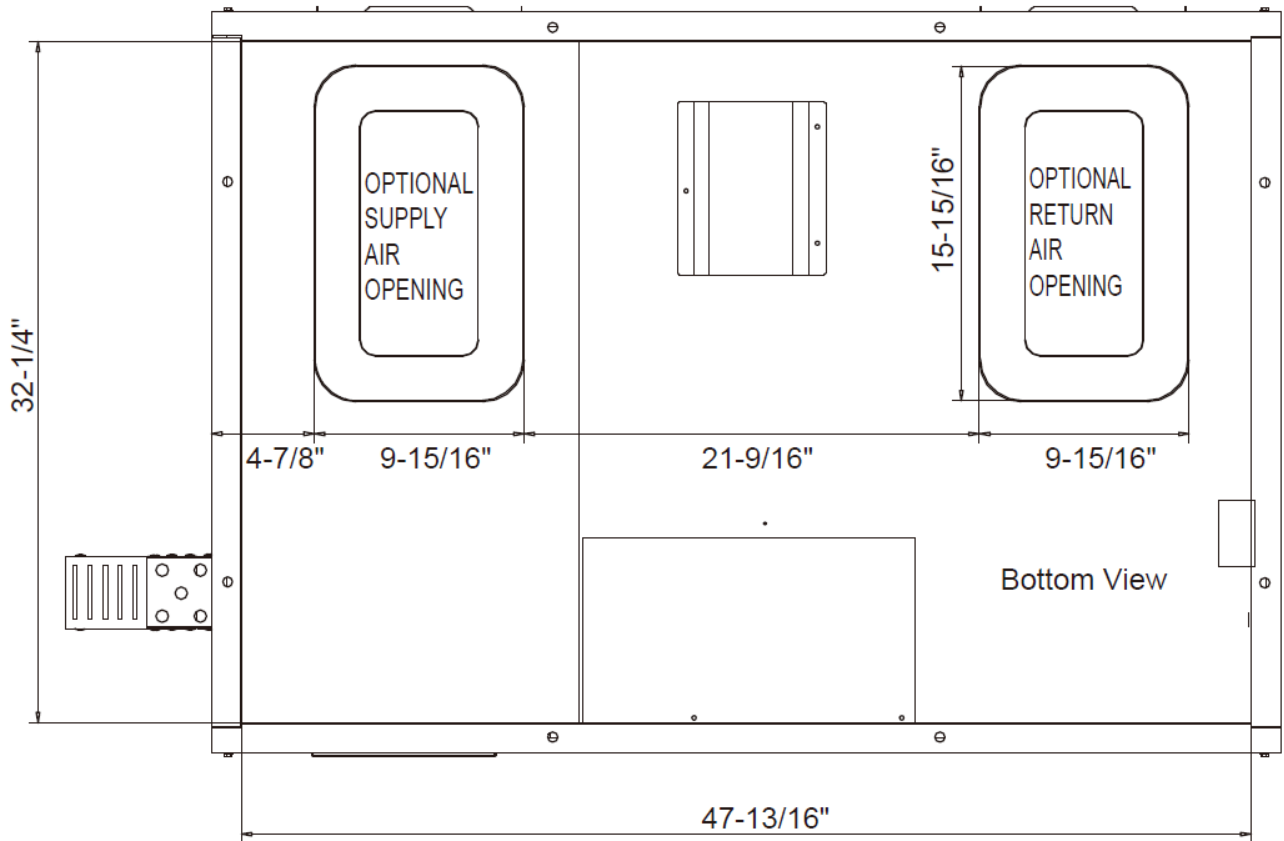


Figure 2.2b-  
Dimensions Back and  
Bottom

\*The above  
figures are  
for reference  
purposes only.

MPG42S090MO13C, MPG48S090MO13C, MPG60S110MO13C

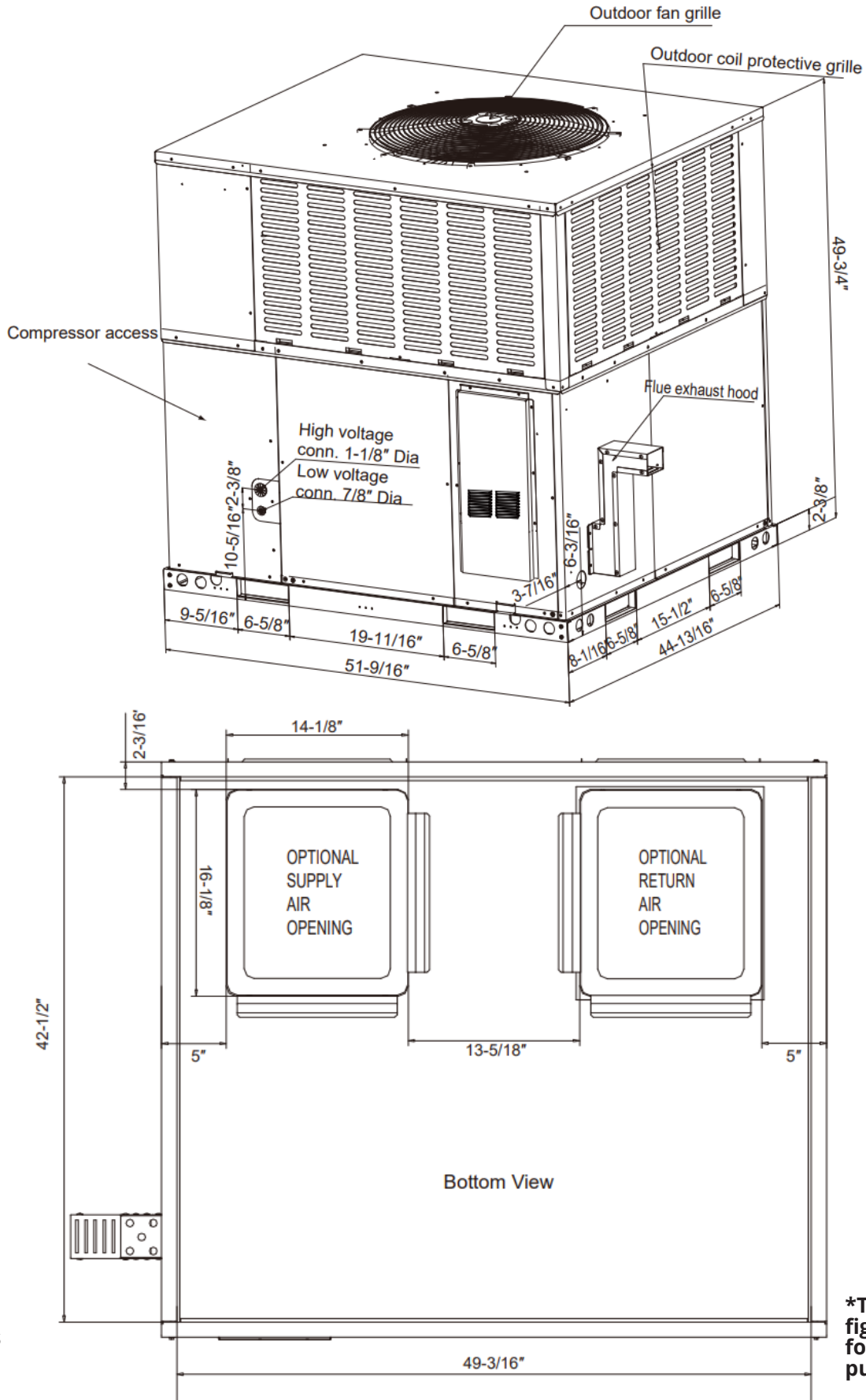


Figure 2.3c- Unit Dimensions

\*The above figures are for reference purposes only.

# 2 UNIT OVERVIEW

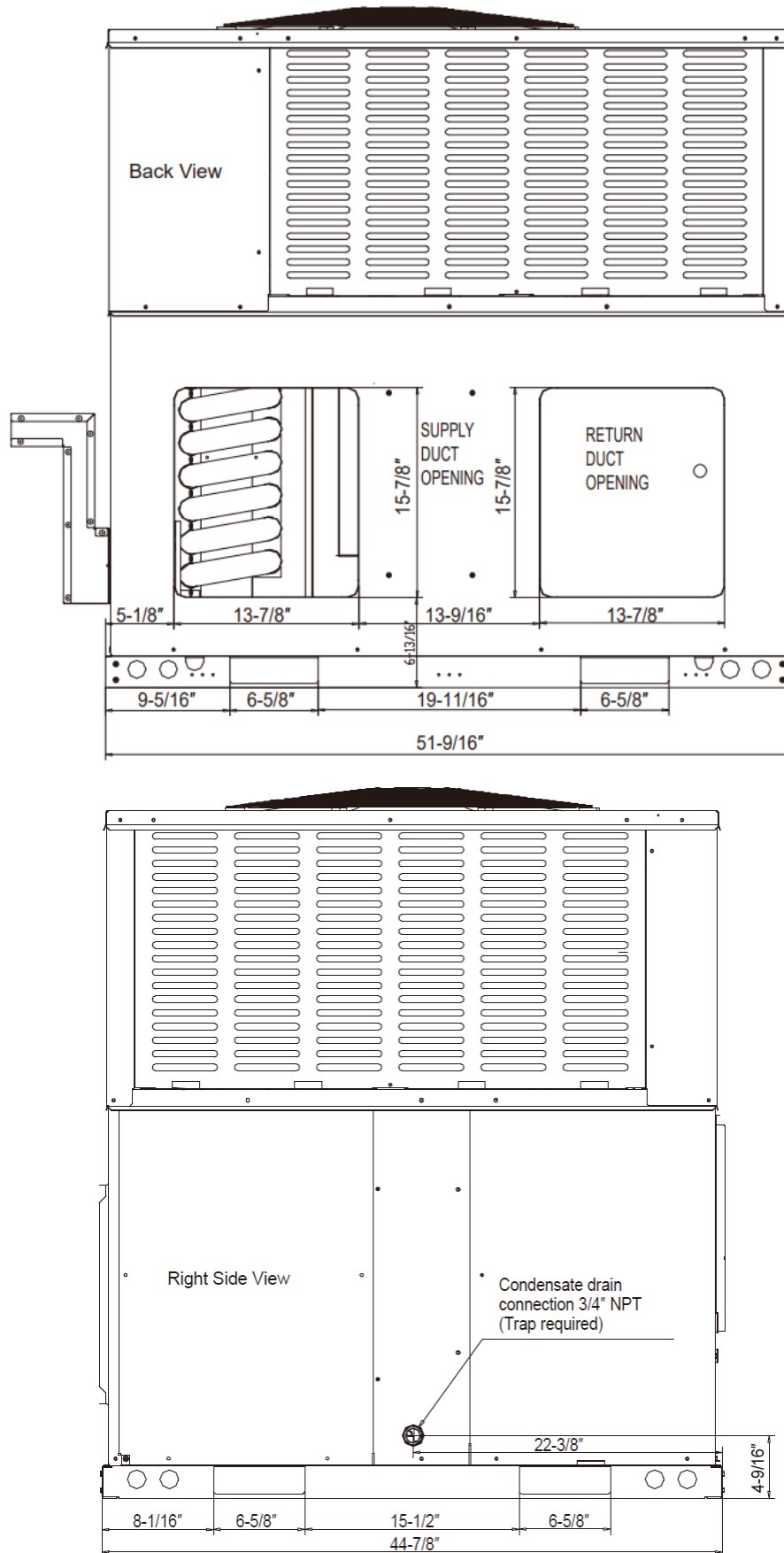
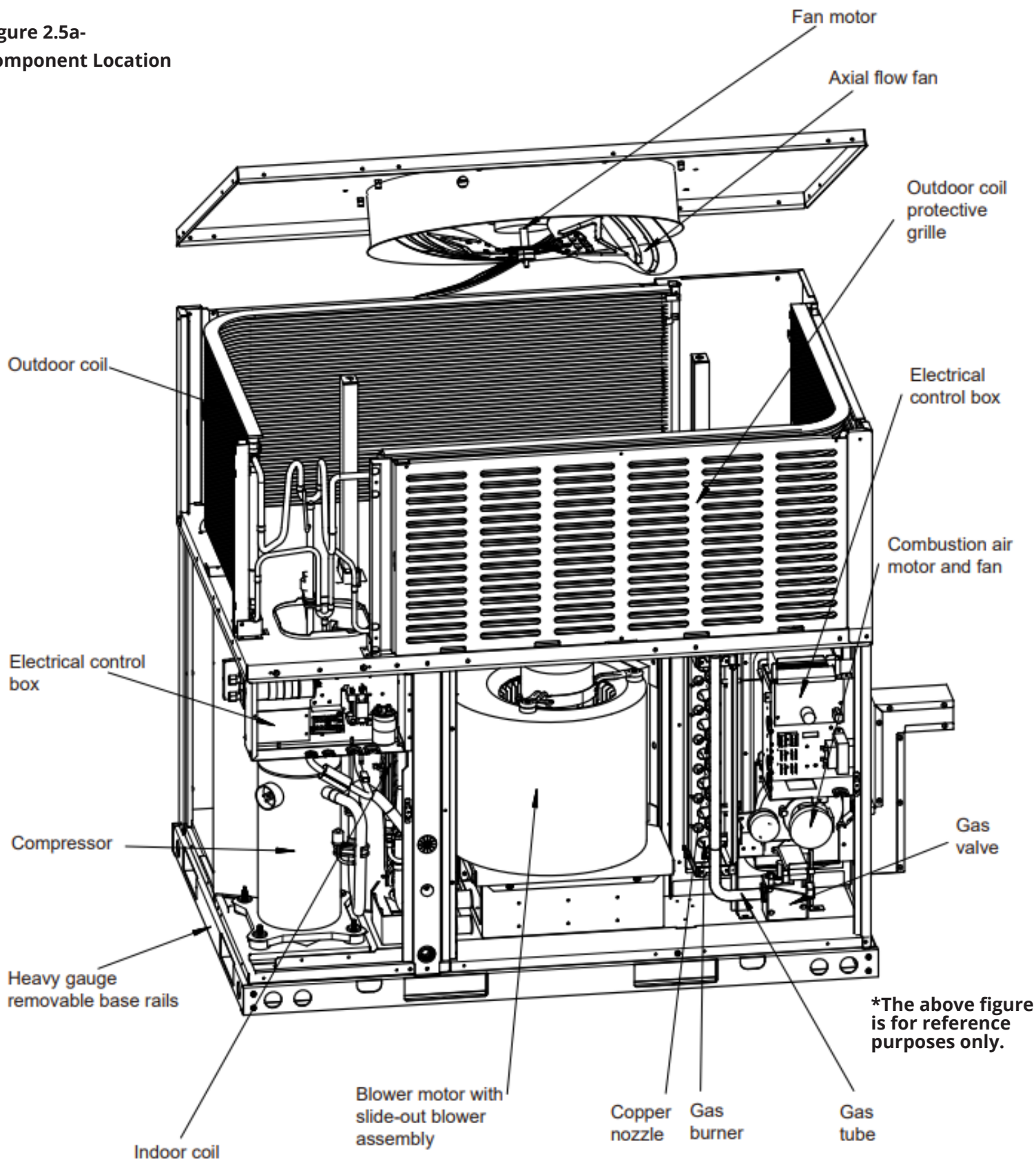


Figure 2.4d-  
Dimensions Back &  
Bottom

\*The above figures are for reference purposes only.

MPG24S060MO13C, MPG30S060MO13C, MPG36S090MO13C

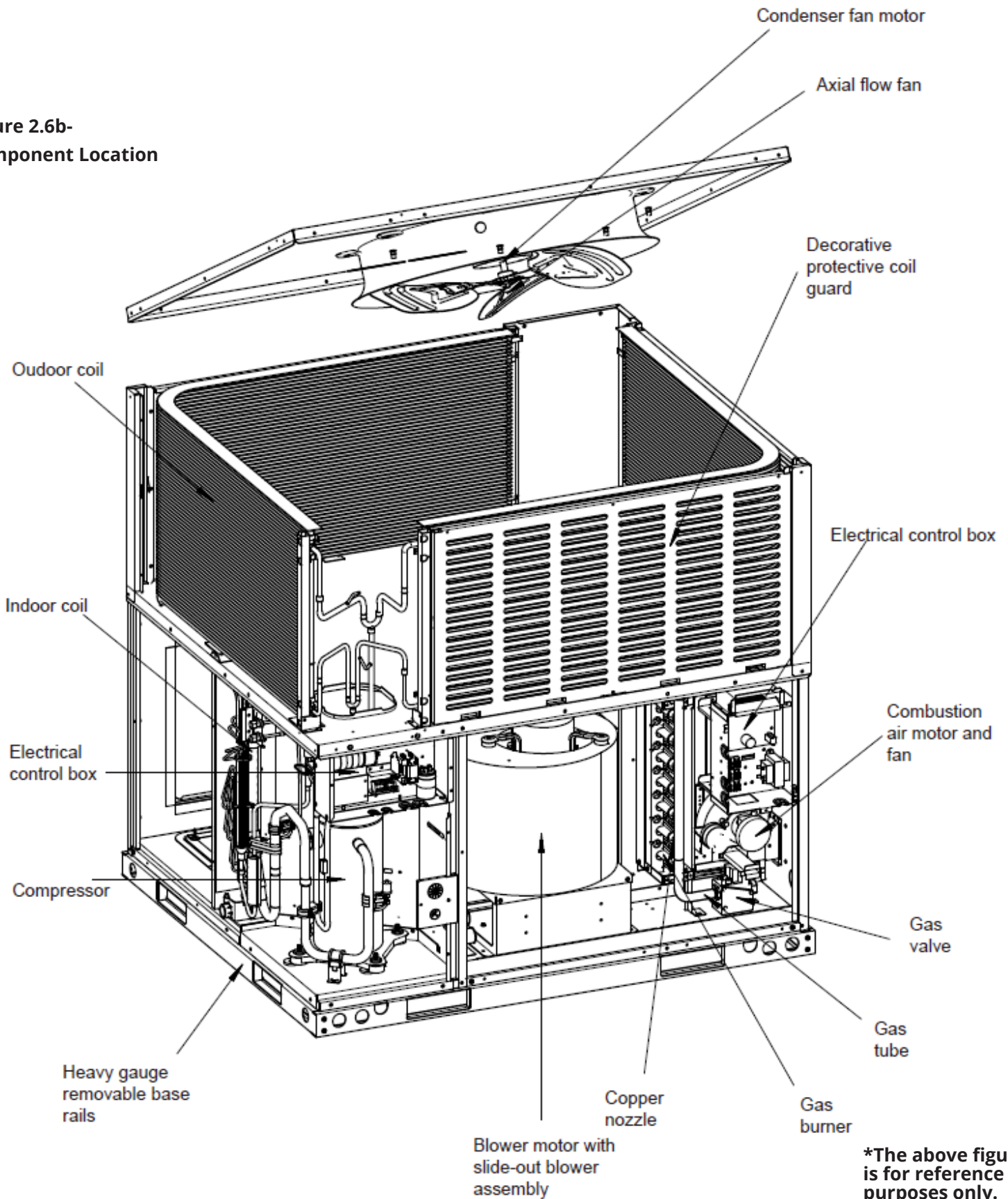
Figure 2.5a-  
Component Location



## 2 UNIT OVERVIEW

MPG42S090MO13C, MPG48S090MO13C, MPG60S110MO13C

Figure 2.6b-  
Component Location



## 3.1 Pre-Installation Checkpoints

Before installation, carefully check the following:

- For rooftop installation, be sure the structure has enough strength to support the weight of unit
- Clearances and provision for servicing
- Power supply and wiring
- Gas supply and piping
- Air duct connections and sizing
- Drain facilities and connections
- Location for minimum noise and vibration
- The packing foam is for transportation protection and need to be taken out

## 3.2 Location Considerations

The metal parts of the unit may be subject to rust or deterioration in adverse environmental conditions. This oxidation could shorten the equipment's useful life. Salt spray, fog or mist in seacoast areas, sulfur or chlorine from lawn watering systems, and various chemical contaminants from industries such as paper mills and petroleum refineries are especially corrosive.

If the unit is to be installed in an area where contaminants are likely to be a problem, give special attention to the equipment location and exposure:

1. Avoid having lawn sprinkler heads spray directly on the unit cabinet.
2. In coastal areas install the unit on the side of the building away from the waterfront.

### WARNING

- **Disconnect all power to the unit before starting maintenance.**
- **Ensure the unit is mounted securely.**
- **Failure to do so can cause electrical shock resulting in personal injury or death.**
- **DO NOT use means to accelerate the defrosting process or to clean other than those recommended.**
- **DO NOT pierce or burn.**
- **Be aware that refrigerants may not contain an odor.**

3. Shielding from a fence or shrubs may give some protection.
4. Elevate the unit off its slab or base enough to allow air circulation and avoid holding water against the base pan.
5. Frequent washing of the cabinet, fan blade and coil with fresh water will remove most of the salt or other contaminants that build up on the unit.
6. Regular cleaning and waxing of the cabinet with a good automobile polish will provide some protection.

Several different types of protective coatings are offered in some areas. These coatings may provide some benefit, but the effectiveness of such coating materials cannot be verified by the MRCOOL®. The best protection is frequent cleaning, maintenance and minimal exposure to contaminants.

## 3.3 Outside Installation

### WARNING

- **This unit is designed for outdoor installation only.**
- **Installation inside any part of a structure can result in inadequate unit performance as well as property damage. Installation inside can also cause recirculation of flue products into the conditioned space resulting in personal injury or death.**

## 3 INSTALLATION

1. Select a location where external water drainage cannot collect around unit.
2. Install unit where operating sounds will not disturb owner or neighbors.
3. The location of the unit should allow proper access for inspection and servicing.
4. Install unit so roof runoff water does not pour directly on the unit. Provide gutter or other shielding at roof level. Do not place unit in an area where excessive snow drifting may occur or accumulate.
5. Provide a concrete slab extending 3" beyond all four sides of the unit. The slab should be sufficiently high enough above grade to prevent surface water from entering the unit. The slab should be isolated from the foundation wall.
6. Pitch the slab approximately 1/2" so that the unit will be pitched toward the drain.
7. It is essential that the unit be elevated above the base pad to allow for defrost water runoff, condensate drainage, and possible refreezing or condensate. Route condensation off the base pad to an area that will not become slippery and result in personal injury. Important: Do not interfere with opening in bottom of unit.
8. Where snowfall is anticipated, the height of the unit above the ground level must be considered. Mount unit high enough to be above average area snowfall to prevent snow from blocking the outdoor coil, to allow condensate runoff, and to allow combustion air to enter the combustion air inlet.

### 3.4 Attaching Exhaust & Combustion Air Inlet Hoods

Do not operate this unit without the exhaust and combustion air inlet hood property installed. These hoods are shipped in a carton in the return air compartment inside the unit and must be attached once the unit is installed.

To attach exhaust and combustion air inlet hood:

1. Remove 3 screws securing the filter access panel and remove the filter access panel.
2. Remove both the exhaust and the combustion air inlet hoods from their carton, located inside the return air compartment.
3. Attach filter access panel.
4. Attach the combustion air inlet hood and the exhaust hood with 4 screws. Screws are in the parts bag shipped in the burner compartment.
5. Vent the unit using the flue exhaust hood, as supplied from the factory, without alteration. The only exception is with factory approved additions. Consult your local codes and regulations for accepted venting techniques.

### 3.5 Cover Panel Installation / Conversion Procedure

All unit sizes have return and discharge openings for both horizontal and downflow configurations, and are factory shipped with all downflow duct openings covered, horizontal is factory shipped.

#### HORIZONTAL TO DOWNFLOW

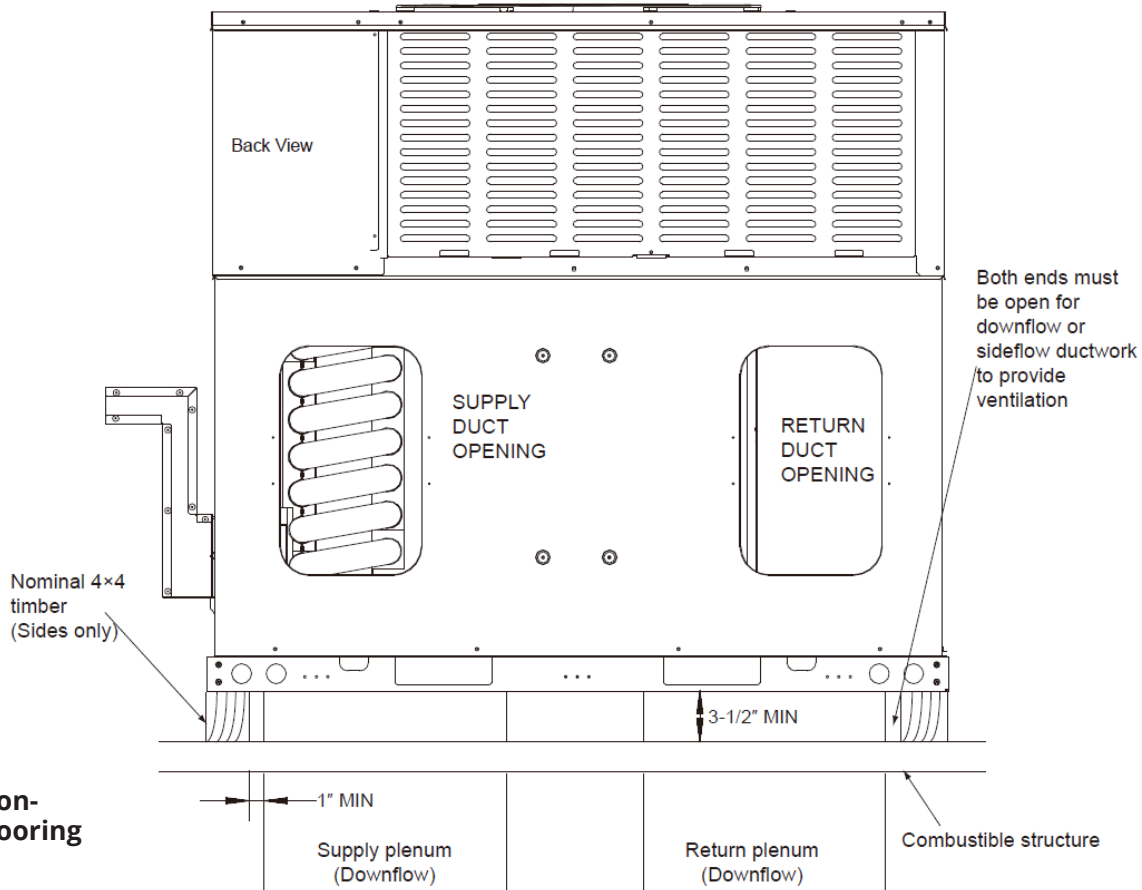
1. Remove screws and covers from the supply and return bottom section.
2. Install gasket (supplied with parts bag) around perimeter of cover on the insulate side.
3. Secure covers to the side of the unit using existing screws and those supplied in the parts bag.
4. Seal duct covers with silicone caulk.

#### DOWNFLOW TO HORIZONTAL

1. Remove screws and covers from the supply and return bottom section.
2. Install gasket (factory shipped) around perimeter of cover on the insulate side.
3. Secure covers to the bottom of the unit using existing screws and those supplied in the parts bag.

## ! WARNING

- This unit must not be installed directly on wood flooring, Class A, Class B or Class C roof covering materials, or any other combustion structure except as specified in these instructions. Failure to adhere to this warning can cause a fire or explosion resulting in property damage, personal injury or death.



**Figure 3.5-**  
Exception to non-combustible flooring requirement

**\*The above figure is for reference purposes only.**

### 3.6 Clearance

All units require certain clearance for proper operation and service.

Refer to the following table for the minimum clearances required for construction, servicing, and proper unit operation.

Direction	Distance (in.)	Direction	Distance (in.)
Top <sup>1</sup>	60	Right	24
Front	48	Left	12 <sup>4</sup>
Rear	18 <sup>2</sup>	Bottom <sup>3</sup>	0

**Table 3.6-**  
Unit Clearance

Duct clearance: 1 inch clearance for all sides of air supply duct.

- Units must be installed outdoors. Over hanging structure or shrubs should not obscure condenser air discharge outlet.

# 3 INSTALLATION

2. The minimum clearance without economizer/fresh air damper. For distance with Economizer/fresh air damper, please refer to the relevant install requirement. If used a 24" minimum clearance is required on left side of unit.
3. Units may be installed on combustible floors made from wood or class A, B or C roof covering materials.

## NOTE

For units applied with a roof curb, the minimum clearance may be reduced from 1 inch to 1/2 inch between combustible roof curb material and this supply air duct.

### 3.7 Rigging & Handling

Exercise care when moving the unit. Do not remove any packaging until the unit is near the place of installation. Rig the unit by attaching chain or cable slings to the lifting holes provided in the base rails. Spreader bars, whose length exceeds the largest dimension across the unit, MUST be used across the top of the unit.

## ! CAUTION

Before lifting, make sure the unit weight is distributed equally on the rigging cables so it will lift evenly.

Units may be moved or lifted with a forklift. Slotted openings in the base rails are provided for this purpose.

## ! CAUTION

All panels must be secured in place when the unit is lifted. The condenser coils should be protected from rigging cable damage with plywood or other suitable material.

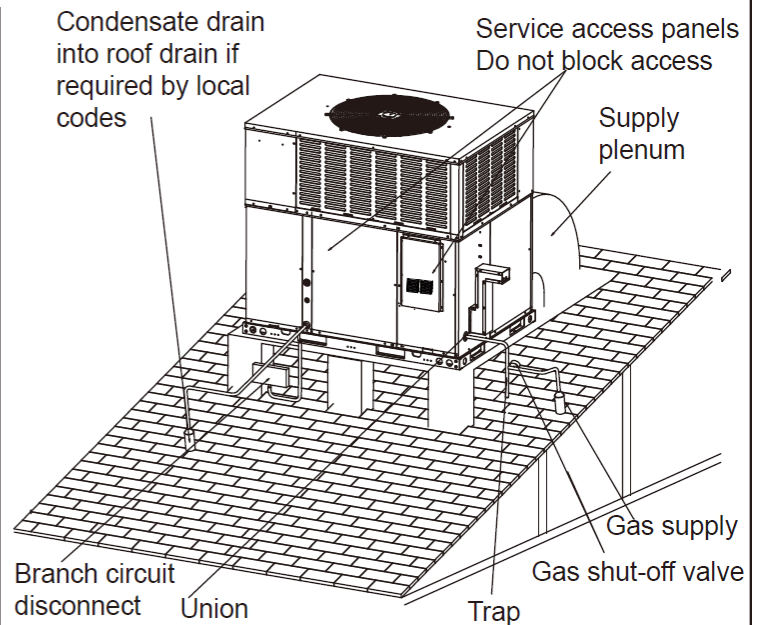
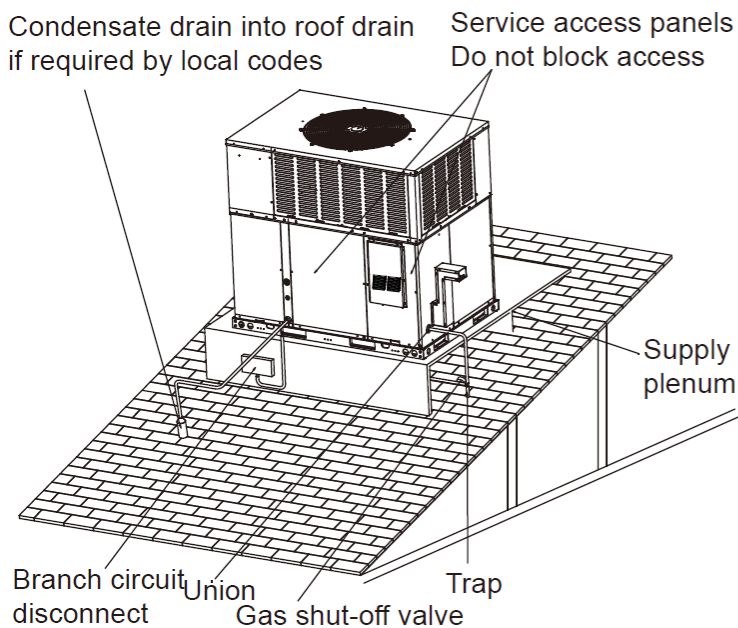
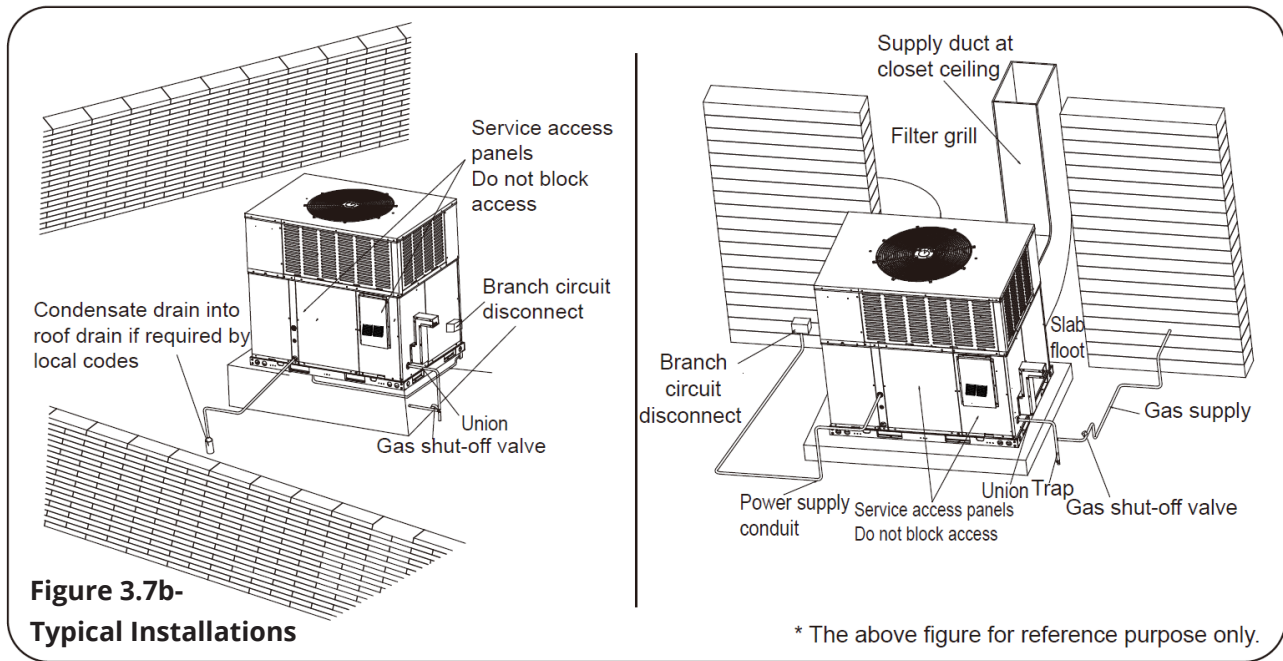


Figure 3.7a- Typical Installations

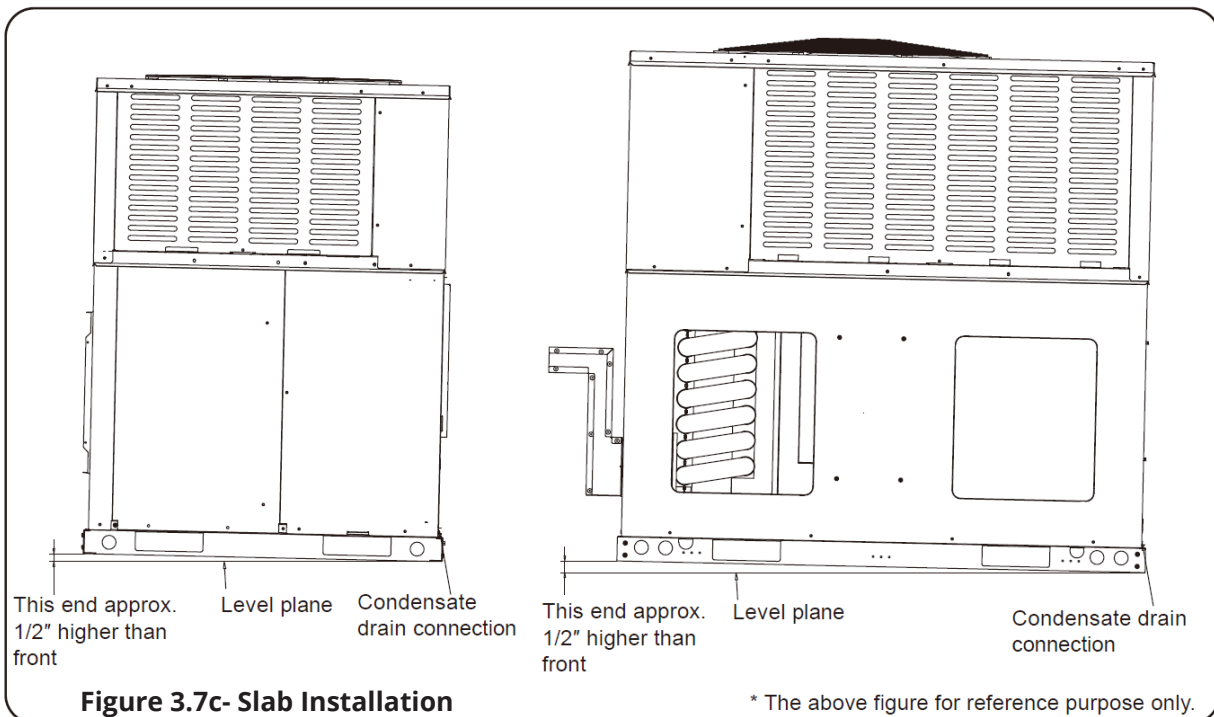
\* The above figure for reference purpose only.



**Figure 3.7b-  
Typical Installations**

## NOTE

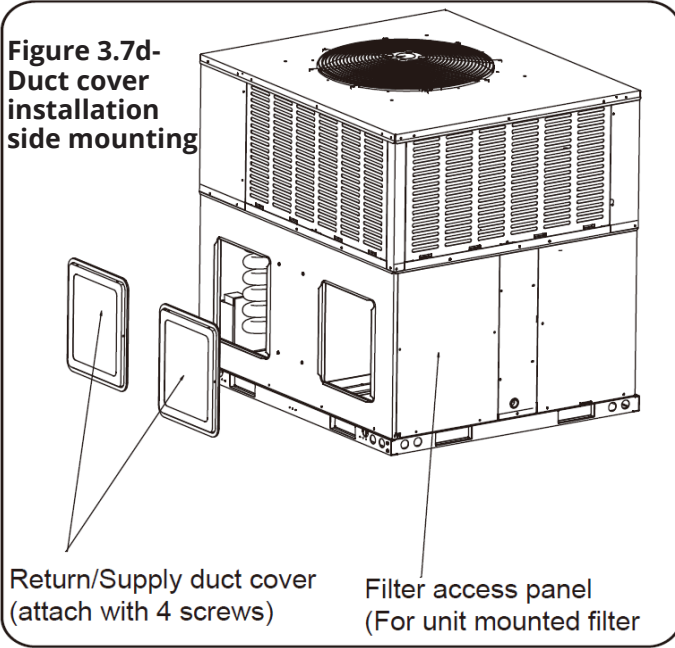
If you have a unit with electric heat that has an inlet or outlet duct going through the building structure, it must be placed on a noncombustible base. This base should be designed so that, once the unit is installed, there are no gaps that would allow flames or hot gases from a fire below to reach the space above. If the unit is to be installed on a structure made of combustible material, the base must ensure that there is enough space between the unit, plenum, duct, and the supporting structure. Any spacers needed to maintain this clearance should be attached to the unit's base and should extend at least 3in (76mm) below the top of the supporting structure. However, for units designed for mobile homes, this distance can be as little as 3/4in (18mm).



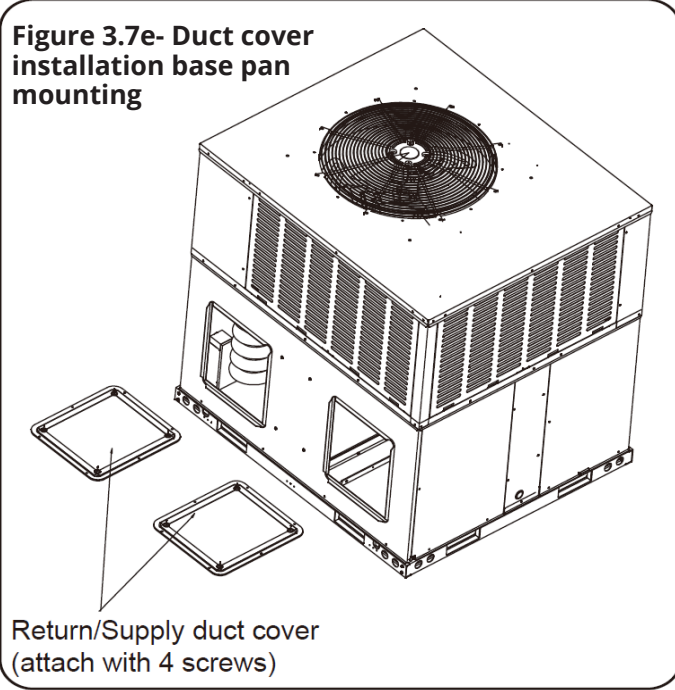
**Figure 3.7c- Slab Installation**

# 3 INSTALLATION

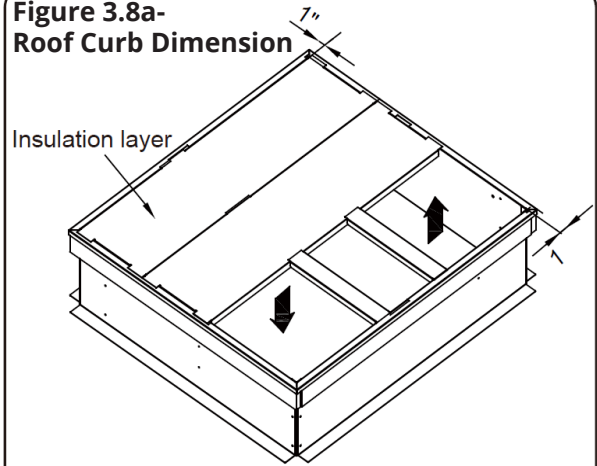
**Figure 3.7d- Duct cover installation side mounting**



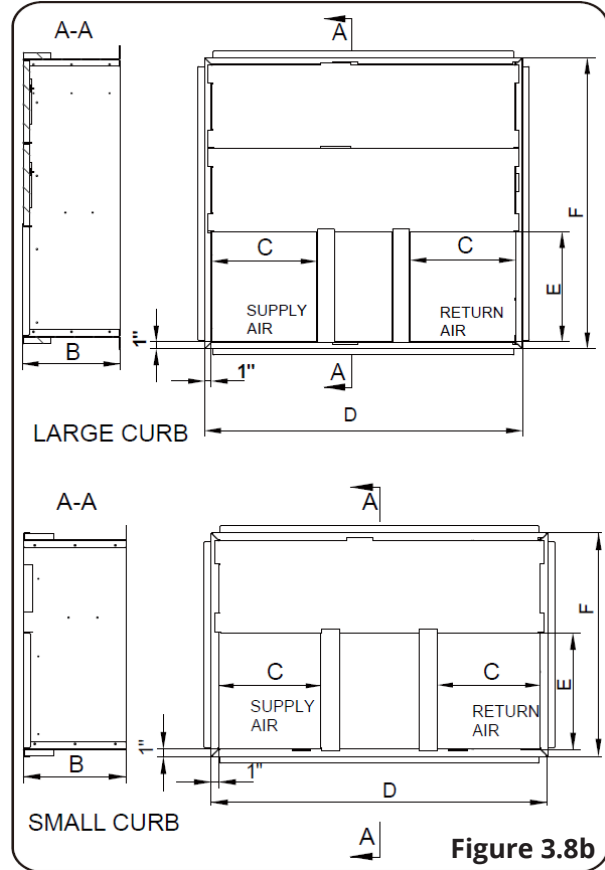
**Figure 3.7e- Duct cover installation base pan mounting**



**Figure 3.8a- Roof Curb Dimension**



Supply and return air (including duct support rails) shown are typical for bottom duct applications. For location of horizontal duct applications (on back of unit), refer to unit dimension details.



## 3.8 Roof Curb

In applications using roof curbs, the unit must be placed on the curb so that the front of the unit is tightly close to the curb. (See Fig. 3.8a- Roof Curb Dimension.)

### NOTE

For units with a roof curb, the minimum clearance may be reduced from 1 inch to 1/2 inch between combustible roof curb material and this supply air duct.

**Table 3.8- Unit Clearance**

Dimensions (In.)	Curb	
	Large	Small
"B" in.[mm.]	14-1/4 [362]	14-1/4 [362]
"C" in.[mm.]	15-1/4 [387]	14 [356]
"D" in.[mm.]	46-1/16 [1170]	46-1/16 [1170]
"E" in.[mm.]	16 [406]	16 [406]
"F" in.[mm.]	42-3/16 [1070]	30-5/8 [778]

# 4 GAS SUPPLY, CONDENSATE DRAIN, & PIPING

## 3.9 Ductwork

Ductwork should be made, sized by, and installed in accordance with Air Manual from Conditioning Contractors of America and local codes.

### NOTE

On ductwork exposed to outside air conditioning space, use at least 2" of insulation and a vapor barrier. Flexible joint may be used to reduce noise.

These units are adaptable to horizontal use as well as rear supply and return air duct openings. To convert to downflow, use the steps is shown in 3.5.

A closed return duct system shall be used. This shall not preclude use of economizers or ventilation air intake. Flexible joints may be used in the supply and return duct work to minimize the transmission of noise.

### ! CAUTION

When fastening duct work to the side duct flanges on the unit, insert the screws through the duct flanges only. DO NOT insert the screws through the casing. Outdoor duct work must be insulation and waterproofed.

### NOTE

Be sure to note supply and return openings.

## 3.10 Return Air

### WARNING

**Never allow products of combustion to the flue products to enter the return air ductwork, or the circulating air supply.**

**All return ductwork must be adequately sealed and secured to the furnace with sheet metal screws, and joints taped. All other duct joints must be secured with approved connections and sealed airtight. Failure to prevent products of combustion from being circulated into the living space can create potentially hazardous conditions, including carbon monoxide poisoning that could result in personal injury or death.**

## 3.11 Filters

The installer must install field supplied filters in the return air duct. A field installed filter grille is recommended for easy and convenient access to the filters for periodic inspection and cleaning. Filters must have adequate face area for the rated air quantity of the unit. Filter material should be used in accordance with UL 900 or CAN/ULC-S111. See air delivery tables for recommended filter size.

## 4.1 Gas Connection

**IMPORTANT:** Connect this unit only to gas supplied by a commercial utility.

- Install gas piping in accordance with local codes and regulations of the local utility company. In the absence of local codes, the installation must conform to the specifications of the National Fuel Gas Code, ANSI Z223.1 - latest edition.

### NOTE

The use of flexible gas connectors is not permitted. If local codes allow the use of a corrugated stainless steel flexible gas appliance connector, always use a new listed connector. Do not use a connector which has previously serviced another gas appliance.

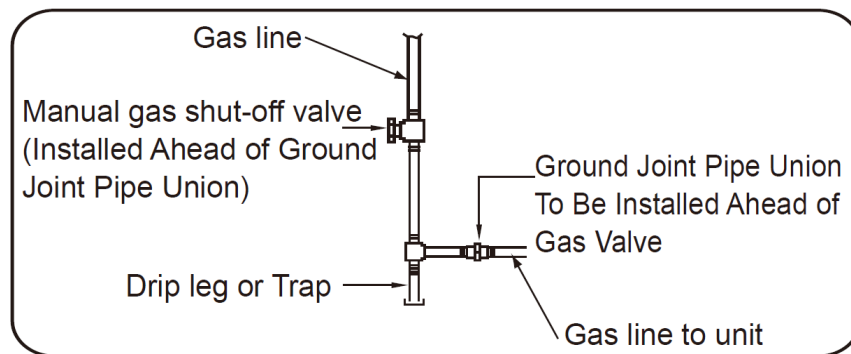
### NOTE

The Commonwealth of Massachusetts requires the gas shut-off valve to be a T-handle gas cock.

## 4 GAS SUPPLY, CONDENSATE DRAIN, & PIPING

1. Connect the gas line to the gas pipe inlet opening provided into the 1/2" inlet valve. See Fig. 4-1 for typical piping.
2. Size the gas line to the furnace adequate enough to prevent undue pressure drop and never less than 1/2" nominal pipe size.
3. Install a drip leg or sediment trap in the gas supply line as close to the unit as possible.
4. Install an outside ground joint union to connect the gas supply to the control assembly at the burner tray, Unions may not be installed inside the unit.
5. Gas valves have been factory installed. Install a manual gas valve where local codes specify a shut-off valve outside the unit casting.
6. Make sure piping is tight. A pipe compound resistant to the action of liquefied petroleum gases must be used at all threaded pipe connections.
7. **IMPORTANT:** Any additions, changes or conversions required for the furnace to satisfactorily meet the application should be made by a qualified installer, service agency or the gas supplier, using factory-specified or approved parts. In the commonwealth of Massachusetts, installation must be performed by a licensed plumber or gas fitter for appropriate fuel.

**IMPORTANT:** Disconnect the furnace and its individual shutoff valve the gas supply piping during any pressure testing of that system at test pressures in excess of 1/2 psig or isolate the system from the gas supply piping system by closing its individual manual shutoff valve during any pressures equal to or less than 1/2 psig.



**Figure 4.1-  
Typical Gas Pipe  
Arrangement**

### **WARNING**

**Failure to follow the safety warnings exactly could result in serious injury, death or property damage. Never test for gas leaks with an open flame. Use a commercially available soap solution made specifically for the detection of leaks to check all connections. A fire or explosion may result causing property damage, personal injury or loss of life.**

**TO CHECK FOR GAS LEAKS, USE A SOAP AND WATER SOLUTION OR OTHER APPROVED METHOD. DO NOT USE AN OPEN FLAME.**

**IMPORTANT:** Check the rating plate to make certain the appliance is equipped to burn the type of gas supplied. Care should be taken after installation of this equipment that the gas control valve not be subjected to high gas supply the pressure. In making gas connections, avoid strains as they may cause noise and damage the controls. A backup wrench is required to be used on the valve to avoid damage.

The capacity of gas pipe of different diameters and lengths in CFH with pressure drop of 0.5 in. and specific gravity of 0.60 (natural gas) are shown in Table 4.1.

# 4 GAS SUPPLY, CONDENSATE DRAIN, & PIPING

**Table 4.1: Natural Gas Pipe Capacity Table (CFH-Cubic Feet of Gas per hour)**

Nominal Iron Pipe Size (in.)	Equivalent Length of Pipe (ft.)							
	10	20	30	40	50	60	70	80
1/2	132	92	73	63	56	50	46	53
3/4	278	190	152	130	115	105	95	90
1	520	350	285	245	215	195	180	170
1-1/4	1050	730	590	500	440	400	370	350
1-1/2	1600	1100	890	760	670	610	560	530

After determining the pipe length, select the pipe size which will provide the minimum cubic feet per hour required for the gas input rating of the furnace. By formula:

$$CFH = \frac{\text{Furnace Input (Btu/h)}}{\text{Heating Value of Gas (Btu/Cubic Foot)}}$$

The gas input of the furnace is marked on the furnace rating plate.

The heating value of the gas (Btu/Cubic Ft.) may be determined by consulting the local natural gas utility or the L.P. gas supplier.

## 4.2 Conversion



### WARNING

**This unit is equipped at the factory for use on Natural Gas only. Conversion to LP Gas requires a special kit which is included with the unit. DO NOT BURN ANY LIQUID FUEL OR SOLID FUEL IN THIS UNIT. Burning any unapproved fuel will result in damage to this unit heat exchanger, which could result in fire, Carbon Monoxide poisoning, explosion, personal injury, property damage or death.**

Convert the valve to use liquefied petroleum (LP) gas by replacing the pressure regulator spring with the conversion kit spring. This LP kit spring allows the regulator to maintain the proper manifold pressure for LP gas. The correct burner LP orifices are included in the kit.

**NOTE:** The LP conversion kit is included with the unit. **See Conversion Kit Index shipped with unit for proper LP kit number. Furnace conversion to LP gas must be performed by a qualified technician.**

**Table 4.2: LP Gas Pipe Capacity Table (CFH-Cubic Feet of Gas per hour)**

Nominal Iron Pipe Size (in.)	Equivalent Length of Pipe (ft.)											
	10	20	30	40	50	60	70	80	90	100	125	150
1/2	275	189	152	129	114	103	96	89	83	78	69	63
3/4	567	393	315	267	237	217	196	182	173	162	146	132
1	1071	732	590	504	448	409	378	346	322	307	275	252
1-1/4	2205	1496	1212	1039	913	834	771	724	677	630	567	511
1-1/2	3307	2299	1858	1559	1417	1275	1181	1086	1023	976	866	787
2	6221	4331	3465	2992	2646	2394	2205	2047	1921	1811	1606	1496

Example (LP): Input BTU requirement of unit, 150000 Equivalent length of pipe, 60 ft. = 3/4" IPS

# 4 GAS SUPPLY, CONDENSATE DRAIN, & PIPING

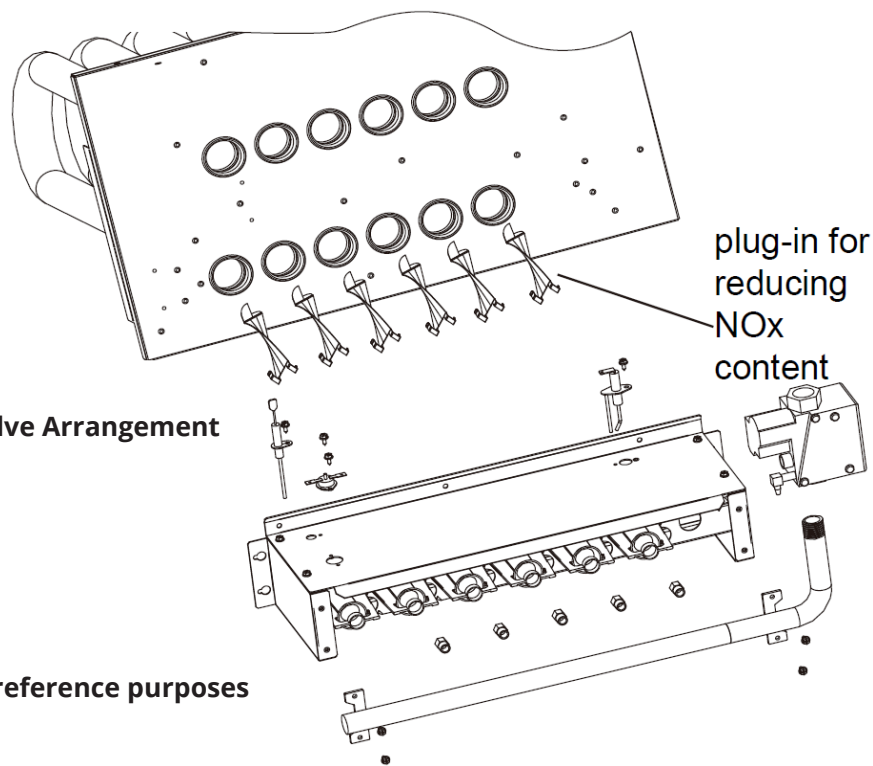


Fig. 4.2: Burner & Gas Valve Arrangement

\*The above figure is for reference purposes only.

## 4.3 Adjusting or Checking Furnace Input

Model	Manifold Gas Pressure			
	Range		Orifice	
	Natural Gas	Propane Gas	Natural Gas	Propane Gas
MPG24S060MO13C	3.1" W.C.	9.6" W.C.	51	59
MPG30S060MO13C	3.1" W.C.	9.6" W.C.	51	59
MPG36S090MO13C	3.2" W.C.	10.5" W.C.	51	59
MPG42S090MO13C	3.2" W.C.	10.5" W.C.	51	59
MPG48S090MO13C	3.3" W.C.	9.5" W.C.	49	56
MPG60S110MO13C	3.45" W.C.	10.0" W.C.	49	56

Table 4.3- Manifold Gas Pressure

Supply and manifold pressure taps are located on the gas valve body 1/8" N.P.T.

Use a properly calibrated manometer gauge for accurate gas pressure readings.

Only small variations in the gas flow should be made by means of the pressure regulator adjustment. Furnaces functioning on LP gas must be set by means of the tank or branch supply regulators. The furnace outlet pressure should be set at 10" W.C. at the gas control valve.

To adjust the pressure regulator, remove the regulator cap and turn the adjustment screw clockwise to increase pressure or counterclockwise to decrease pressure. Then replace the regulator cap securely. Any necessary major changes in the gas flow rate should be made by changing the size of the burner orifices. To change orifice spuds, shut off the manual main gas valve and remove the gas manifold.

For elevations up to 2000 feet, rating plate input rating apply. For high altitudes (elevations over 2000 feet), see conversion kit index for derating and orifice spud sizes.

**Check of input is important to prevent over-firing of the furnace beyond its designated input, NEVER SET INPUT ABOVE THAT SHOWN ON THE RATING PLATE. Use the following formula to determine input rate.**

$$\text{C.F.H. Required} = \frac{\text{Heating Value of Gas (BTU/Cubic ft.)} \times 3600}{\text{Time of Seconds (for 1 Cubic ft.) of gas}}$$

Start the furnace and measure the time required to burn a cubic foot of gas. Prior to checking the furnace input, make certain that all other gas appliances are shut off, with the exception of pilot burners. Time the meter with only the furnace in operation.

**IMPORTANT NOTE FOR ALL ALTITUDES ABOVE 2000 FEET:** The main burner orifices in your furnace and in these kits are sized for the nameplate input and intended for installations at elevations up to 2000 feet in the USA or Canada, or for elevations of 2000-4500 feet in Canada if the unit has been derated at the factory. For elevations above 2000 feet **IN THE USA ONLY** (see ANSI-Z223.1), the burner orifices must be sized to reduce the input 4% for each 1000 feet above sea level.

**NOTICE:** Derating of the heating input for high altitude in the field is unlawful in Canada (refer to CAN/CGA 2.17). Units installed in altitudes greater than 2000 feet must be shipped from the factory or from a factory authorized conversion station with the heating input derated by 10% so as to operate properly in altitudes from 2000-4500 feet.

#### 4.4 Condensate Drain

The evaporator coil condensate drain ends with a threaded 3/4" nominal PVC stub. A trap is built in for proper condensate drainage and to prevent debris from being drawn into the unit. Do not connect the drain to a closed sewer line. It is recommended that a PVC cement not be used so that the drain line can be easily cleaned in the future.

**IMPORTANT:** Do not install an external trap. Doing so can cause improper drainage of the condensate and result in flooding within the unit.

#### 5.1 Power Supply



### WARNING

**Turn off the main electrical power at the branch circuit disconnect closest to the unit before attempting any wiring. Failure to do so can cause electrical shock resulting in personal injury or death.**

1. All wiring should be made in accordance with the National Electrical Code. Consult the local power company to determine the availability of sufficient power to operate the unit. Check the voltage at power supply to make sure it corresponds to the unit's rated voltage requirement. Install a branch circuit disconnect near the rooftop, in accordance with the N.E.C., C.E.C. or local codes.
2. It is important that proper electrical power is available at the unit. Voltage should not vary more than 10% from that stamped on the unit nameplate. On three phase units, phases must be balanced within 3%.
3. For branch circuit wiring (main power supply to unit disconnect), the minimum wire size for the length of run can be determined from Table 5-1 using the circuit ampacity found on the unit rating plate. Use the smallest wire size allowable in Table 5-1 from the disconnect to unit. The disconnect must be in sight and readily accessible of the unit.

**Table 5.1a- Branch Circuit Copper Wire Size (in.)**

		Branch Circuit Ampacity							
		15	20	25	30	35	40	45	50
Supply Wire Length (ft.)	200	6	4	4	4	3	3	2	2
	150	8	6	6	4	4	4	3	3
	100	10	8	8	6	6	6	4	4
	50	14	12	10	10	8	8	6	6

- NOTES:
1. Wire size based on 140°F (60°C) rated wire insulation and 86°F (30°C) Ambient Temp.
  2. For more than 3 conductors in a raceway or cable, see the N.E.C. for derating the ampacity of each conductor. When installed, the unit must be electrically grounded in accordance with local codes or, in the absence of local codes, with the National Electrical Code, ANSI/NFPA 70, if an external electrical source is utilized.

**IMPORTANT: This unit is approved for use with copper conductors only connected to unit contactor. Warranty may be jeopardized if aluminum wire is connected to unit contactor.**

Special instructions apply for power wiring aluminum conductors: Warranty is void if connections are not made per instructions.

Attach a length (6" or more) of recommended size copper wire to the unit contactor terminals L1 and L3 for single phase.

Select the equivalent aluminum wire size from the table below:

Splice copper wire pigtails to aluminum wire with U.L. recognized connectors for copper-aluminum splices. Please exercise the following instructions very carefully to obtain a positive and lasting connection:

1. Strip insulation from aluminum conductor.
2. Coat the stripped end of the aluminum wire with the recommended inhibitor, and wire brush the aluminum surface through inhibitor.
3. INHIBITORS: Brundy-Pentex "A"; Alcoa-No. 2EJC; T & B-KPOR Shield.
4. Clean and recoat aluminum conductor with inhibitor.
5. Make the splice using the below listed wire nuts or split bolt connectors.
6. Coat the entire connection with inhibitor and wrap with electrical insulating tape.

**Table 5.1b- Aluminum Wire Sizes**

AWG Copper Wire Size	AWG Aluminum Wire Size	Connector Type & Size (or equivalent)
#12	#10	T & B Wire Nut PT2
#10	#8	T & B Wire Nut PT3
#8	#6	Sherman Split Bolt TSP6
#6	#4	Sherman Split Bolt TSP4
#4	#2	Sherman Split TSP2

## 5.2 Hook-Up

To wire unit, refer to the following Fig. 5.2b.

Wiring to be done in the field between the unit and devices not attached to the unit, or between separate devices which are field installed and located, shall conform with the temperature limitation for Type T wire [63°F rise] when installed in accordance with the MRCOOL® instructions.

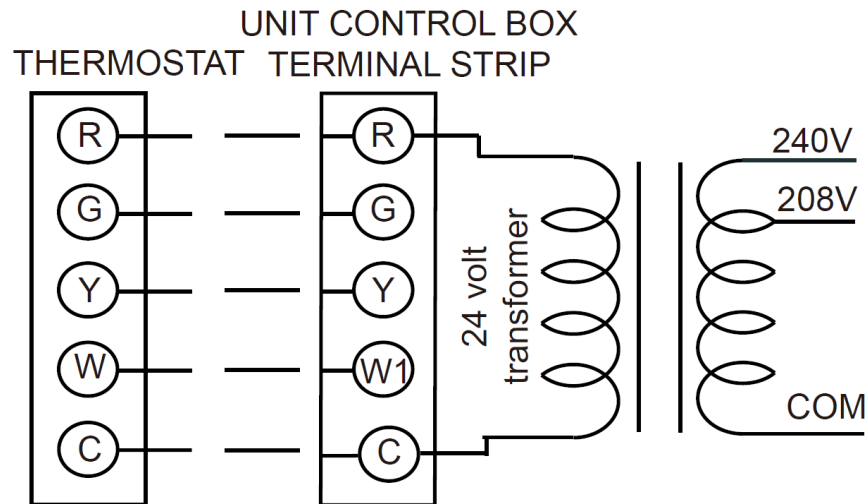


Fig. 5.2a - Typical Field Control Wiring Diagram

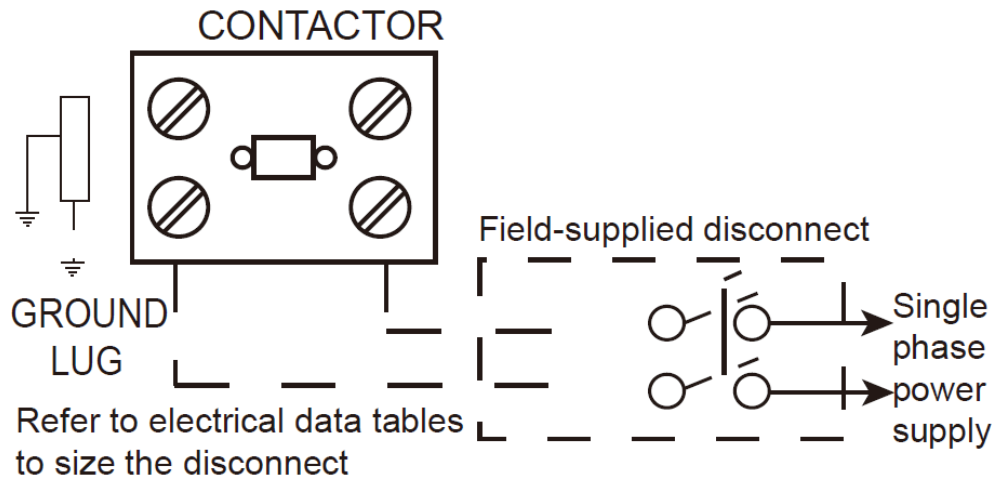


Fig. 5.2b - Typical Field Power Wiring Diagram

## 5.3 Internal Wiring

**IMPORTANT:** Some single phase units are equipped with a single pole contactor. Caution must be exercised when servicing as only one leg of the power supply is broken with the contactor.

Some models are equipped with an electronically commutated blower motor which is constantly energized unless the main unit disconnect is in the off position.

A diagram of the internal wiring of this unit is located under the electrical box cover and in this manual. If any of the original wire as supplied with the appliance must be replaced, the wire gauge and insulation must be the same as the original wiring.

Transformer is factory wired for 230 volt on 208/230 volt models and must be changed to 208 volt applications. See unit wiring diagram for 208 volt wiring.

## 5.4 Thermostat

The room thermostat must be specifically designed to control packaged gas electric units.

# 6 FURNACE SECTION CONTROLS & IGNITION SYSTEM

## 6.1 Normal Furnace Operating Sequence

1. This unit is equipped with an integrated direct spark ignition control.
2. The thermostat calls for gas heat.
3. The control board will run a self check to verify that the limit control and manual reset over temperature control are closed and that the pressure switch is open. If so, the induced draft blower (inducer) will begin a prepurge cycle.
4. The air proving negative pressure switch closes.
5. 15 seconds after the pressure switch closes, the gas valve opens and the spark is initiated for a 7 second trial for ignition.
6. Burners ignite and flame sensor proves all burners have lit.
7. The circulating air blower is energized after 45 seconds.
8. The control board enters a normal operation loop in which all safety controls are monitored continuously.
9. Thermostat is satisfied and opens.
10. The gas valve is de-energized and closes, shutting down the burner flame.
11. The control board will de-energize the inducer after a five second post purge.
12. The circulating air blower BLOWER-LOW is de-energized after a maximum of 90 seconds.
  - The integrated control board has a three times ignition system.
  - After a total of 3 trials for ignition without sensing main burner flame, the system goes into lockout mode.
  - After 1 hour, the ignition control repeats the prepurge and ignition cycles for 3 tries and then goes into lockout mode again.
  - It continues this sequence of cycles and lockout each hour until ignition is successful or power is interrupted.
  - During the lockout mode, neither the spark ignition control or gas valve will be energized until the system is reset by turning the thermostat to the "OFF" position or interrupting the electrical power to the unit for 3 seconds or longer.
  - The induced draft blower and main burner will shut off when the thermostat is satisfied.
  - The circulating air blower will start and run on the heating speed if the thermostat fan switch is in the "ON" position.

The integrated furnace control is equipped with diagnostic LED. The LED is lit continuously when there is power to the control without a call for heat. If the LED is not lit, there is either no power to the control or there is an internal component failure within the control, and the control should be replaced.

If the control detects the following failures, the LED will flash for designated failure detections.

**2 Flash:** Failed to detect or sustain flame, system locked out.

**3 Flash:** Pressure switch or induced draft blower problem detected.

**4 Flash:** High limit or auxiliary limit open.

**5 Flash:** Flame sensed and gas valve not energized or flame sensed with no "W" signal.

**6 Flash:** Over temperature switch open.

**7 Flash:** Thermostat miswired; W1 and W2 swapped. Slow flash rate: Normal, call for heat.

## 6.2 Operating Instructions

This appliance is equipped with a direct spark intermittent ignition device. This device lights the main burners each time the room thermostat (closes) calls for gas heat. See operating instructions on the back of the furnace/controls access panel.

# 6 FURNACE SECTION CONTROLS & IGNITION SYSTEM

## WARNING

**Do not attempt to manually light this furnace with a match or any open flame. Attempting to do so can cause an explosion or fire resulting in property damage, personal injury or death.**

### 6.3 Starting the Furnace

1. Set the thermostat to its lowest setting.
2. Turn off all electric power to the appliance.
3. This appliance does not have a pilot. It is equipped with an ignition device which automatically lights the burner. Do not try to light the burner by hand.
4. Remove control door.
5. Turn the gas valve to the "OFF" position.
6. Wait five (5) minutes to clear out any gas. Then smell for gas, including near the floor. If you smell gas, STOP! Follow B in the safety information on the Operating Instructions located on the back of the controls/access panel. If you don't smell gas, go to the next step.
7. Turn the gas valve to the "ON" position.
8. Replace the control door.
9. Turn on all electric power to the appliance.
10. Set the thermostat to the desired setting.
11. If the appliance will not operate, follow the instructions below to shut down the furnace.

## WARNING

**The spark igniter and ignition lead from the ignition control are high voltage. Keep hands or tools away to prevent electrical shock. Shut off electrical power before servicing any of the controls. Failure to adhere to this warning can result in personal injury or death.**

The initial start-up on a new installation may require the control system to be energized in some time until any air has bled through the system and fuel gas is available at the burners.

### 6.4 Shutting Down the Furnace

1. Set the thermostat to the lowest setting.
2. Turn off all electric power to the appliance if service is to be performed.
3. Remove control door.
4. Move gas valve to the "OFF" position.
5. Replace control door.

## WARNING

**Should overheating occur or the gas supply fail to shut off. Shut off the Manual Gas valve to the appliance before shutting off the electrical supply. Failure to do so can result in an explosion or fire causing property damage, severe personal injury or death.**

## 6.5 Burners

Burners for these units have been designed so that field adjustment is not required. Burners are tray-mounted and accessible for easy cleaning when required.

## 6.6 Manual Reset Over Temperature Control

A manual reset over temperature control is located on the burner shield. This device senses blockage in the heat exchanger or insufficient combustion air. This shuts off the main burners if excessive temperatures occur in the burner compartment.

Operation of this control indicates an abnormal condition. Therefore, the unit should be examined by a qualified installer, service agency, or the gas supplier before being placed back into operation.



**DO NOT JUMPER THIS DEVICE! Do not reset the over temperature control without taking corrective action to assure that an adequate supply of combustion air is maintained under all conditions of operation. Failure to do so can result in Carbon Monoxide poisoning or death. Replace this control only with the identical replacement part.**

## 6.7 Pressure Switch

This furnace has a negative pressure switch for sensing a blocked exhaust or a failed induced draft blower. It is normally closed when the induced draft blower starts, indicating air flow through the combustion chamber.

## 6.8 Limit Control

The supply air high temperature limit cut-off is set at the factory and cannot be adjusted. It is calibrated to prevent the air temperature leaving the furnace from exceeding the maximum outlet air temperature. **WARNING: DO NOT JUMPER THIS DEVICE! Replace this control only with the identical replacement part.**

## 7.1 User Reminders

Advise the homeowner of the following:

1. Keep the air filters clean. The heating system operates better, more efficiently and more economically.
2. Arrange the furniture and drapes so that the supply air registers and the return air grilles are unobstructed.
3. Close doors and windows. This reduces the heating load on the system.
4. Avoid excessive use of exhaust fans.
5. Do not permit the heat generated by television, lamps or radios to influence the thermostat operation.
6. Except for the mounting platform, keep all combustible articles three feet from the unit and exhaust system.
7. **IMPORTANT:** Replace all blower doors and compartment after servicing the unit. Do not operate the unit without all panels and doors securely in place.
8. Do not allow snow or other debris to accumulate in the vicinity of the appliance.

## 7.2 Furnace Section Maintenance

The unit's furnace should operate for many years without excessive scale build-up in flue passageways; and it should have a qualified installer, service agency, or gas supplier annually inspect the flue passageways, the exhaust system and the burners for continued safe operation, paying particular attention to deterioration from corrosion or other sources.

# 7 SYSTEM OPERATING INFORMATION

If during inspection the flue passageways and exhaust system are determined to require cleaning, the following procedures should be followed (by a qualified installer, service agency, or gas supplier)

1. Turn off the electrical power to the unit and set the thermostat to the lowest temperature.
2. Shut off the gas supply to the unit either at the meter or at manual valve in the supply piping.

## WARNING

**Label all wires prior to disconnection when servicing controls. Wiring errors can cause improper and dangerous operation resulting in fire, electrical shock, property damage, personal injury or death.**

3. Remove the furnace controls access panel and the control box cover.
4. Disconnect the gas supply piping from the gas valve.
5. Disconnect the wiring to the induced draft blower motor, gas valve, flame sensor, and flame roll-out control, and igniter cable. Label all wires disconnected for proper reconnection.
6. Remove the screws (4) connecting the burner tray to the heat exchanger mounting panel.
7. Remove the burner tray and the manifold assembly from the unit.
8. Remove the screws (4) connecting the induced draft blower to the collector box and screws (16) connecting the collector box to the heat exchanger mounting panel. Remove the induced draft blower and the collector box from the unit.
9. Remove the turbulators from inside the heat exchangers by inserting the blade of a screwdriver under the locking tabs. Pop the tabs out of the expanded grooves of the heat exchanger. Slide the turbulators out of the heat exchangers.
10. Direct a water hose into the outlet of the heat exchanger top. Flush the inside of each heat exchanger tube with water. Blow out each tube with air to remove excessive moisture.
11. Reassemble (steps 1 through 10 in reverse order).

**Be careful not to strip out the screw holes used to mount the collector box and inducer blower. Replace inducer blower gasket and collector box gasket with factory replacements if damaged.**

## WARNING

**Holes in the exhaust transition or heat exchanger can cause toxic fumes to enter the home. The exhaust transition or heat exchanger must be replaced if they have holes or cracks in them. Failure to do so can cause Carbon Monoxide poisoning resulting in personal injury or death.**

MRCOOL® recommends that a qualified installer, service agency or the gas supplier visually inspect the burner flames for the desired flame appearance at the beginning of the heating season and approximately midway in heating season.

MRCOOL® also recommends that a qualified installer, service agency or the gas supplier clean the flame sensor with steel wool at the beginning of the heating season.

## WARNING

**Disconnect main electrical power to the unit before attempting maintenance. Failure to do so may result in electrical shock or severe personal injury or death.**

## 7.3 Lubrication

**IMPORTANT: DO NOT attempt to lubricate the bearings on the blower motor or the induced draft blower motor. Addition of lubricants can reduce the motor life and void the warranty.**

The blower motor and induced draft blower motor are prelubricated by the MRCOOL® and do not require further attention.

A qualified installer, service agency or the gas supplier must periodically clean the motors to prevent the possibility of overheating due to an accumulation of dust and dirt on the windings or on the motor exterior. And, as suggested elsewhere in these instructions, the air filters should be kept clean because dirty filters can restrict air flow and the motor depends upon sufficient air flowing across and through it to prevent overheating.

## 7.4 Cooling Section Maintenance

It is recommended that at the beginning of each cooling season a qualified installer or service agency inspect and clean the cooling section of this unit. The following areas should be addressed: evaporator coil, condenser coil, condenser fan motor and venturi area.

**To inspect the evaporator coil:**

1. Remove the filter access panel and the blower/evaporator coil access panel.



**Label all wires prior to disconnection when servicing controls. Wiring errors can cause improper and dangerous operation resulting in fire, electrical shock, property damage, personal injury or death.**

2. Unplug the wires from the circulating air blower and the limit control. Remove the two screws and slide the blower out of the unit sideways.
3. Shine a flashlight on the evaporator coil (both sides) and inspect for accumulation of lint, insulation, etc.
4. If coil requires cleaning, follow the steps shown below.

**Cleaning Condenser Coil:**

1. Remove screws from condenser fan grille assembly and lay grille over on the unit top panel.
2. Remove the controls access panel and the control box cover.
3. Disconnect the outdoor fan motor wiring from the compressor contactor and capacitor. Remove the strain relief in the bulkhead and pull the fan motor wires through. Set grille assembly to the side.
4. Remove the screws that secure the unit top to the unit. Remove the top and set the unit top to the side.
5. The coil should be cleaned when it is dry. If the coil is coated with dirt or lint, vacuum it with a soft brush attachment. Be careful not to bend the coil fins.
6. The recommended cleaning method for microchannel condenser coils is pressurized water or air with an on-pipoint nozzle and an ECU of at least 180 with pressure no greater than 600psi. To minimize the risk of coil damage, approach the cleaning of the coil with the pressure washer aimed perpendicular to the face of the coil during cleaning. Optimum clearance between the sprayer nozzle and the microchannel coil is 1"-3".

**Cleaning Evaporator Coil, Drain Pan, Condensate Drain, Condenser Fan, Circulation Air Blower & Venturi:**

Remove the screws from the filter access panel and the blower/evaporator coil access panel from the unit. Remove the filter access panel and the blower/evaporator coil access panel.

The coil should be cleaned when it is dry. If the coil is coated with dirt or lint, vacuum it with a soft brush attachment. Be careful not to bend the Coil fins.

If the coil is coated with oil or grease, clean it with a mild detergent-and-water solution. Rinse the coil thoroughly with water.

**IMPORTANT:** Do not use excessive water pressure. Excessive water pressure can bend the tins and tubing of the coil and lead to inadequate unit performance. Be careful not to splash water excessively into unit.

Inspect the drain pan and condensate drain at the same time the evaporator coil is checked. Clean the drain pan by flushing with water and removing any items of obstruction which may be present.

Flush the drain tube with water. If the drain tube is blocked, it can usually be cleared with high pressure water.

The venturi should also be inspected for items of obstruction such as collections of grass, dirt or spider webs. Remove any that are present.

Inspect the circulating air blower wheel and motor for accumulation of lint, dirt or other obstruction and clean if necessary. Inspect the blower motor mounts and the blower housing for loose mounts or other damage. Repair or replace if necessary.

#### **Re-assembly:**

1. Place the condenser coil protective grille back on unit and replace all screws.
2. Place top panel back on unit and replace all screws.
3. Set condenser fan grille assembly on top of the unit with the fan on top and the motor wires on the venturi side. Run the fan motor wires through the bulkhead and pull wires through the hole on the bottom of the control box on the left side and into the control box. Reconnect fan motor wires per the wiring diagram attached to the back of the control box cover.
4. Replace wire strain relief in bulkhead after the slack is pulled out of the wires on the fan side. This will assure wires will not be damaged by the fan during unit operation.
5. Turn the condenser fan grille assembly over and into the recess in the unit top. Secure the grille to the unit with the four long #8 screws removed earlier.
6. Replace the circulating air blower, making sure that all wires are properly reconnected per the unit wiring diagram.
7. Replace the filter and blower/evaporator coil access panels.
8. Replace the control box cover and controls access panel.
9. Restore electrical power to the unit and check for proper operation, especially the condenser fan motor.

### **7.5 Replacement Parts**

Contact your local distributor for a complete parts list.

### **7.6 Wiring Diagrams**

Refer to the appropriate wiring diagram included in this manual.

### **7.7 Charging**

Refer to the appropriate charge chart included in this manual.

### **7.8 Blower Motor Speed Taps**

After determining necessary CFM and speed tap data, follow the steps below to change speeds.

1. Remove control door.
2. Please refer to the Table 10-1 & Table 10-2 and wiring diagram for the proper location of the wire on the speed tap block of the indoor blower motor to obtain the speed you have chosen.
3. After adjusting the wires accordingly, replace control door.

## NOTE

Most single phase units are equipped with Permanent Split Capacitor (PSC) motors (no start relay or start capacitor). It is important that such systems be off for a minimum of 5 minutes before restarting to allow equalization of pressures. Do not move the thermostat to cycle unit without waiting five minutes. To do so may cause the compressor to stop on an automatic open overload device or blow a fuse. Poor electrical service can cause nuisance tripping in overloads or blow fuses.

**IMPORTANT:** The compressor has an internal overload protector. Under some conditions, it can take up to 2 hours for this overload to reset. Make sure overload has had time to reset before condensing the compressor. The control allows the blower to operate for up to 90 seconds after the thermostat is satisfied.

### 8.1 Control System Operation

#### 1. Heating mode

The wall thermostat "calls for heat," closing the R--to--W circuit. The furnace control performs a "NORMAL FURNACE OPERATING SEQUENCE".

#### 2. Cooling mode

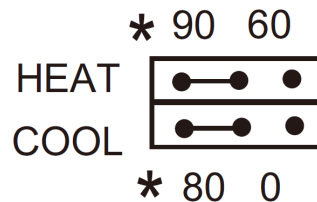
In the cooling mode, the thermostat closes the R--to--G--and--Y circuits. The thermostat will energize the compressor contactor and the indoor blower relay. The blower motor will operate on BLOWER-SINGLE/HI speed. After the thermostat is satisfied, the compressor is de-energized and the cool mode delay-to-fan-off period begins. After the delay-to-fan-off period ends, the circulator fan is de-energized. The indoor blower can be operated continuously by setting the thermostat fan switch at the "ON" position.

#### 3. Fan mode

When the circuit R--to--G is closed by the thermostat, the blower motor will operate on BLOWER-LOW speed , If the thermostat fan switch is moved to the ON position, the circulator fan will be energized. When the fan switch is returned to the AUTO position, the circulator fan will be de-energized.

### 8.2 Fan Delay Adjustment

As shipped, the circulator blower fan will remain on for 90 seconds after the gas valve closes. When a call for cooling occurs, the circulator fan comes on and remains on for 80 seconds after the call for cooling ends. During normal heating operation, the circulator fan will come on approximately 45 seconds after the gas valve opens.



\* FACTORY SET



# 9 SEER2 PHYSICAL DATA

**Table 9.1 - 13.4  
SEER2 Physical  
Data**

	Component	Models		
		MPG24S060MO13C	MPG30S060MO13C	MPG36S090MO13C
	<i>Nominal Tonnage</i>	2.0	2.5	3.0
<b>ARI Cooling Performance</b>	<i>ARI Net Capacity (Btu)</i>	22800	28400	34200
	<i>EER2</i>	11	11	11
	<i>SEER2</i>	13.4	13.4	13.4
	<i>Nominal CFM</i>	720	940	1050
	<i>System Power (kW)</i>	2.07	2.58	3.09
	<i>Refrigerant Type</i>	R454B	R454B	R454B
	<i>Refrigerant Charge (lb-oz)</i>	2-10	2-12	2-14
<b>Gas Heating Performance</b>	<i>Heating Input (Btu)</i>	60000	60000	90000
	<i>Heating Output (Btu)</i>	48000	48000	72000
	<i>Temperature Rise Range (°F)</i>	30-70	30-70	40-70
	<i>AFUE (%)</i>	81	81	81
	<i>Steady State Efficiency (%)</i>	81	81	81
	<i>No. Burners</i>	5	5	7
	<i>No. Stages</i>	1	1	1
	<i>Gas Connection Pipe Size (in.)</i>	1/2" NPT	1/2" NPT	1/2" NPT
<b>Dimensions (inches)</b>	<i>Length</i>	50-11/16	50-11/16	50-11/16
	<i>Width</i>	35-1/16	35-1/16	35-1/16
	<i>Height</i>	46-7/16	46-7/16	46-7/16
	<i>Operating Weight (lbs)</i>	422	432	444
<b>Compressors</b>	<i>Type</i>	Rotary	Rotary	Rotary
	<i>Quantity</i>	1	1	1
<b>Condenser Coil Data</b>	<i>Type</i>	Microchannel	Microchannel	Microchannel
	<i>Coil Width (in.)</i>	0.63	0.63	0.63
	<i>Face Area (sq. ft.)</i>	14.11	14.11	14.11
	<i>Rows</i>	1+1	1+1	1+1
	<i>FPI</i>	23	23	23
<b>Evaporator Coil Data</b>	<i>Face Area (sq. ft.)</i>	3.96	3.96	3.96
	<i>Rows</i>	4	4	4
	<i>Fins per inch</i>	17	17	17
	<i>Tube Diameter</i>	9/32	9/32	9/32
	<i>Circuitry Type</i>	Interlaced	Interlaced	Interlaced
	<i>Refrigerant Control</i>	Orifice	Orifice	Orifice
<b>Condenser Fan Data</b>	<i>Fan Diameter (in.)</i>	23-5/8	23-5/8	23-5/8
	<i>Type</i>	Prop	Prop	Prop
	<i>Drive Type</i>	Direct	Direct	Direct
	<i>No. Speeds</i>	1	1	1
	<i>Number of motors</i>	1	1	1
	<i>Motor HP each</i>	1/12 (60W)	1/6 (110W)	1/6 (110W)
	<i>RPM</i>	840	840	840
	<i>Nominal Total CFM</i>	2970	2770	2970
	<i>Quantity</i>	1	1	1
<b>Direct Drive Evaporator Fan Data</b>	<i>Fan Size (in.)</i>	10x10	10x10	10x10
	<i>Type</i>	Centrifugal	Centrifugal	Centrifugal
	<i>No. Speeds</i>	1	1	1
	<i>Motor HP each</i>	1/2 (375W)	1/2 (375W)	1/2 (375W)

**Table 9.1 - 13.4  
SEER2 Physical  
Data**

	Component	Models		
		MPG42S090MO13C	MPG48S090MO13C	MPG60S110MO13C
	<i>Nominal Tonnage</i>	3.5	4.0	5.0
<b>ARI Cooling Performance</b>	<i>ARI Net Capacity (Btu)</i>	40000	47000	57000
	<i>EER2</i>	11	11	11
	<i>SEER2</i>	13.4	13.4	13.4
	<i>Nominal CFM</i>	1200	1650	1850
	<i>System Power (kW)</i>	3.64	4.27	5.18
	<i>Refrigerant Type</i>	R454B	R454B	R454B
	<i>Refrigerant Charge (lb-oz)</i>	3-12	3-12	3-12
<b>Gas Heating Performance</b>	<i>Heating Input (Btu)</i>	90000	90000	110000
	<i>Heating Output (Btu)</i>	72000	72000	88000
	<i>Temperature Rise Range (°F)</i>	35-65	25-55	30-60
	<i>AFUE (%)</i>	81	81	81
	<i>Steady State Efficiency (%)</i>	81	81	8
	<i>No. Burners</i>	6	6	7
	<i>No. Stages</i>	1	1	1
	<i>Gas Connection Pipe Size (in.)</i>	1/2" NPT	1/2" NPT	1/2" NPT
<b>Dimensions (inches)</b>	<i>Length</i>	51-9/16	51-9/16	51-9/16
	<i>Width</i>	44-13/16	44-13/16	44-13/16
	<i>Height</i>	49-3/4	49-3/4	49-3/4
	<i>Operating Weight (lbs)</i>	539	560	562
<b>Compressors</b>	<i>Type</i>	Rotary	Scroll	Scroll
	<i>Quantity</i>	1	1	1
<b>Condenser Coil Data</b>	<i>Type</i>	Microchannel	Microchannel	Microchannel
	<i>Coil Width (in.)</i>	0.63	0.63	0.63
	<i>Face Area (sq. ft.)</i>	20.17	20.17	20.17
	<i>Rows</i>	1+1	1+1	1+1
	<i>FPI</i>	23	23	23
<b>Evaporator Coil Data</b>	<i>Face Area (sq. ft.)</i>	6.1	6.1	6.1
	<i>Rows</i>	4	4	4
	<i>Fins per inch</i>	17	17	17
	<i>Tube Diameter</i>	9/32	9/32	9/32
	<i>Circuitry Type</i>	Interlaced	Interlaced	Interlaced
	<i>Refrigerant Control</i>	Orifice	Orifice	Orifice
<b>Condenser Fan Data</b>	<i>Fan Diameter (in.)</i>	26-3/8	26-3/8	26-3/8
	<i>Type</i>	Prop	Prop	Prop
	<i>Drive Type</i>	Direct	Direct	Direct
	<i>No. speeds</i>	1	1	1
	<i>Number of motors</i>	1	1	1
	<i>Motor HP each</i>	1/3 (290W)	1/3 (290W)	1/3 (290W)
	<i>RPM</i>	1070	1070	1070
	<i>Nominal Total CFM</i>	5170	5170	5170
<b>Direct Drive Evaporator Fan Data</b>	<i>Quantity</i>	1	1	1
	<i>Fan Size (in.)</i>	11x10-5/8	11x10-5/8	11x10-5/8
	<i>Type</i>	Centrifugal	Centrifugal	Centrifugal
	<i>No. Speeds</i>	1	1	1
	<i>Motor HP each</i>	1/2 (375W)	3/4 (560W)	3/4 (560W)

# 10 AIRFLOW PERFORMANCE

Airflow performance data is based on cooling performance with a coil and no filter in place. Use this performance table for appropriate unit size, external static applied to unit and allow operation within the minimum and maximum limits shown in table below for both cooling and electric heat operation.

**Table 10.1 - Indoor Airflow Performance-230 Volts**

Model Number	Motor Speed		External Static Pressure-Inches W.C. [kPa]										
			0[0]	0.1[.02]	0.2[.05]	.3[.07]	0.4[.10]	0.5[.12]	0.6[.015]	0.7[.017]	0.8[.20]	0.9[.23]	1.0[.25]
24	Low (Tap1)	CFM	/	859	785	694	625	/	/	/	/	/	/
		Current/A	/	1.24	1.27	1.32	1.35	/	/	/	/	/	/
		Power/W	/	134	138	144	149	/	/	/	/	/	/
	Middle-1 (Tap2)	CFM	/	/	/	/	887	806	753	695	646	/	/
		Current/A	/	/	/	/	2.02	2.07	2.12	2.13	2.17	/	/
		Power/W	/	/	/	/	234	241	246	244	249	/	/
	Middle-2 (Tap3)	CFM	/	/	/	/	/	/	/	869	816	769	723
		Current/A	/	/	/	/	/	/	/	2.80	2.84	2.88	2.92
		Power/W	/	/	/	/	/	/	/	335	341	346	351
	Middle-3 (Tap4)	CFM	/	/	/	/	/	/	/	/	/	882	836
		Current/A	/	/	/	/	/	/	/	/	/	3.38	3.43
		Power/W	/	/	/	/	/	/	/	/	/	412	418
30	Low (Tap1)	CFM	927	859	785	/	/	/	/	/	/	/	/
		Current/A	1.2	1.24	1.27	/	/	/	/	/	/	/	/
		Power/W	129	134	138	/	/	/	/	/	/	/	/
	Middle-1 (Tap2)	CFM	/	1066	1001	945	887	806	753	/	/	/	/
		Current/A	/	1.90	1.94	1.98	2.02	2.07	2.12	/	/	/	/
		Power/W	/	218	224	228	234	241	246	/	/	/	/
	Middle-2 (Tap3)	CFM	/	/	/	1105	1051	998	925	869	816	769	/
		Current/A	/	/	/	2.61	2.65	2.70	2.75	2.80	2.84	2.88	/
		Power/W	/	/	/	310	316	322	329	335	341	346	/
	Middle-3 (Tap4)	CFM	/	/	/	/	/	1109	1056	986	933	882	836
		Current/A	/	/	/	/	/	3.19	3.23	3.29	3.34	3.38	3.43
		Power/W	/	/	/	/	/	387	393	400	407	412	418
	High (Tap5)	CFM	/	/	/	/	/	/	/	1064	990	934	835
		Current/A	/	/	/	/	/	/	/	3.63	3.67	3.65	3.67
		Power/W	/	/	/	/	/	/	/	444	455	443	445
36	Low (Tap1)	CFM	927	/	/	/	/	/	/	/	/	/	/
		Current/A	1.2	/	/	/	/	/	/	/	/	/	/
		Power/W	129	/	/	/	/	/	/	/	/	/	/
	Middle-1 (Tap2)	CFM	1127	1066	1001	945	/	/	/	/	/	/	/
		Current/A	1.87	1.90	1.94	1.98	/	/	/	/	/	/	/
		Power/W	213	218	224	228	/	/	/	/	/	/	/
	Middle-2 (Tap3)	CFM	1265	1217	1162	1105	1051	998	925	/	/	/	/
		Current/A	2.47	2.52	2.57	2.61	2.65	2.70	2.75	/	/	/	/
		Power/W	292	299	305	310	316	322	329	/	/	/	/
	Middle-3 (Tap4)	CFM	/	1314	1263	1213	1159	1109	1056	986	933	/	/
		Current/A	/	3.01	3.06	3.10	3.14	3.19	3.23	3.29	3.34	/	/
		Power/W	/	363	369	375	381	387	393	400	407	/	/
	High (Tap5)	CFM	/	1347	1305	1283	1256	1196	1144	1064	990	934	907
		Current/A	/	3.68	3.67	3.66	3.66	3.66	3.66	3.63	3.67	3.65	6.34
		Power/W	/	452	451	450	449	448	449	444	455	443	463

**Table 10.1 - Indoor Airflow Performance-230 Volts**

Model Number	Motor Speed		External Static Pressure-Inches W.C. [kPa]										
			0[0]	0.1[.02]	0.2[.05]	.3[.07]	0.4[.10]	0.5[.12]	0.6[.015]	0.7[.017]	0.8[.20]	0.9[.23]	1.0[.25]
42	Middle-1 (Tap2)	CFM	1328	1242	1166	1090.8	/	/	/	/	/	/	/
		Current/A	1.35	1.42	1.49	1.56	/	/	/	/	/	/	/
		Power/W	156	161	169	178	/	/	/	/	/	/	/
	Middle-2 (Tap3)	CFM	1450	1372	1300	1232	1160	1088	/	/	/	/	/
		Current/A	1.70	1.77	1.84	1.91	2.00	2.08	/	/	/	/	/
		Power/W	195	205	214	223	234	244	/	/	/	/	/
	Middle-3 (Tap4)	CFM	1581	1515	1448	1384	1318	1252	1189	1122	/	/	/
		Current/A	2.15	2.23	2.31	2.38	2.47	2.55	2.65	2.74	/	/	/
		Power/W	254	265	274	284	295	307	319	331	/	/	/
	High (Tap5)	CFM	/	1569	1503	1439	1377	1314	1252	1184	1115	1065	1020
		Current/A	/	2.42	2.50	2.57	2.66	2.75	2.84	2.94	3.03	3.14	3.23
		Power/W	/	288	299	309	320	332	344	356	369	384	387
48	Middle-1 (Tap2)	CFM	1437	1359	1284	1210	/	/	/	/	/	/	/
		Current/A	1.8	1.88	1.96	2.04	/	/	/	/	/	/	/
		Power/W	202	212	223	233	/	/	/	/	/	/	/
	Middle-2 (Tap3)	CFM	/	1791	1728	1662	1602	1539	1475	1419	1364	1309	1252
		Current/A	/	3.44	3.52	3.61	3.69	3.78	3.87	3.96	4.05	4.15	4.25
		Power/W	/	415	426	438	449	461	472	485	497	510	523
	Middle-3 (Tap4)	CFM	/	/	/	/	/	1748	1691	1632	1575	1526	1474
		Current/A	/	/	/	/	/	4.74	4.84	4.93	5.03	5.12	5.23
		Power/W	/	/	/	/	/	590	603	616	629	642	655
	High (Tap5)	CFM	/	/	/	/	/	/	1787	1712	1660	1594	1536
		Current/A	/	/	/	/	/	/	5.45	5.43	5.45	5.45	5.48
		Power/W	/	/	/	/	/	/	696	694	688	690	696
60	Middle-2 (Tap3)	CFM	1854	1791	1728	1662	1602	1539	/	/	/	/	/
		Current/A	3.36	3.44	3.52	3.61	3.69	3.78	/	/	/	/	/
		Power/W	405	415	426	438	449	461	/	/	/	/	/
	Middle-3 (Tap4)	CFM	2026	1973	1918	1860	1802	1748	1691	1632	1575	1526	/
		Current/A	4.26	4.36	4.46	4.56	4.65	4.74	4.84	4.93	5.03	5.12	/
		Power/W	525	538	551	565	578	590	603	616	629	642	/
	High (Tap5)	CFM	2150	2098	2044	1989	1932	1861	1787	1712	1660	1594	1536
		Current/A	5.07	5.18	5.27	5.37	5.47	5.47	5.45	5.43	5.45	5.45	5.48
		Power/W	640	658	671	685	699	699	696	694	688	690	696

\* The above airflow data is for reference only.

# 10 AIRFLOW PERFORMANCE

**Table 10.2 - Motor Speed from Factory**

Model	Cooling		Gas Heat		Blower Size	Motor HP	Temperature Rise Range (°F)
	Usable Motor Speed	Motor Speed from Factory	Usable Motor Speed	Motor Speed from Factory			
<b>MPG24S060MO13C</b>	Low	Middle-1	Low	Low	10x10	1/2	30-70
	Middle-1		Middle-1				
	Middle-2		Middle-2				
	Middle-3		Middle-3				
<b>MPG30S060MO13C</b>	Low	Middle-2	Low	Low	10x10	1/2	30-70
	Middle-1		Middle-1				
	Middle-2		Middle-2				
	Middle-3		Middle-3				
	High		High				
<b>MPG36S090MO13C</b>	Low	Middle-3	Low	Middle-3	10x10	1/2	40-70
	Middle-1		Middle-1				
	Middle-2		Middle-2				
	Middle-3		Middle-3				
	High		High				
<b>MPG42S090MO13C</b>	Middle-1	High	Middle-1	Middle-2	11x10-5/8	1/2	35-65
	Middle-2		Middle-2				
	Middle-3		Middle-3				
	High		High				
<b>MPG48S090MO13C</b>	Middle-1	Middle-3	Middle-1	Middle-2	11x10-5/8	3/4	22-55
	Middle-2		Middle-2				
	Middle-3		Middle-3				
	High		High				
<b>MPG60S110MO13C</b>	Middle-2	High	Middle-2	Middle-3	11x10-5/8	3/4	30-60
	Middle-3		Middle-3				
	High		High				

- The air distribution system has the greatest effect on airflow. The duct system is totally controlled by the contractor. For this reason, the contractor should use only industry-recognized procedures.
- Each ton of cooling requires between 350 and 450 cubic feet of air per minute (CFM), or 400 CFM nominally.
- Duct design and construction should be carefully done. System performance can be lowered dramatically through bad planning or workmanship.
- Air supply diffusers must be selected and located carefully. They must be sized and positioned to deliver treated air along the perimeter of the space. If they are too small for their intended airflow, they become noisy. If they are not in a proper location, they cause drafts. Return air grilles must be properly sized to carry air back to the blower. If they are too small, they also cause noise.
- The installers should balance the air distribution system to ensure proper quiet airflow to all rooms in the home. This ensures a comfortable living space.
- An air velocity meter or airflow hood can give a reading of system CFM.
- When installing the installer should select the air speed according to the actual setting static pressure. Please refer to the Table 10.1 & Table 10.2.



## WARNING

Components trouble shooting requires opening control box with power on. Use extreme care while working on this condition. Check nameplate and this instruction when making wire connections.

Table 11.1 - Troubleshooting Chart

Symptom	Possible Cause	Remedy
Unit will not run	Power off or loose electrical connection	Check for correct voltage at compressor contactor in control box.
	Thermostat out of calibration; set too high	Reset
	Failed Contactor	Check for 24 volts at contactor coil; replace if contacts are open
	Blown fuses	Replace fuses
	Transformer defective	Check wiring; replace transformer
	Interconnecting low voltage wiring damaged	Replace thermostat wiring
Condenser fan runs but compressor doesn't	Run or start capacitor failed (single phase only)	Replace
	Loose connection	Check for correct voltage at compressor; check and tighten all connections
	Compressor stuck, grounded, or motor winding open internal overload	Wait at least 2 hours for overload to reset. If still open, replace the compressor.
Insufficient Cooling	Low voltage condition	Determine cause and correct. At compressor terminals, voltages must be within 10% of rating plate volts when unit is operating.
	Improperly sized unit	Recalculate load
	Improper airflow	Check; should be approximately 400 CFM per ton.
	Incorrect refrigerant charge	Charge per procedure attached to unit service panel
	Air, non-condensable or moisture in system	Recover refrigerant, evacuate & recharge, add filter drier
Compressor Short Cycles	Incorrect voltage	Determine cause and correct. At compressor terminals, voltages must be within 10% of rating plate volts when unit is operating.
	Defective overload protector	At compressor terminals, voltage must be $\pm 10\%$ or nameplate marking when unit is operating.
	Refrigerant undercharge	Replace; Check for correct voltage
Compressor Operates Continuously	Refrigerant undercharge	Add refrigerant
	Dirty air filter	Replace filter
	Unit undersized for load	Decrease load or increase unit size
	Thermostat temperature set too low	Reset thermostat
	Low refrigerant charge	Locate leak, repair, and recharge
	Air in system	Recover refrigerant, evacuate system, and recharge
	Outdoor coil dirty or restricted	Clean coil or remove restriction
Registers sweat	Low evaporator airflow	Increase speed of blower to reduce restriction; replace air filter
High head-low vapor pressure	Restriction in liquid line, expansion device or filter drier	Remove or replace defective component
	Flow check piston size too small	Change to correct sized piston
	Incorrect capillary tubes	Change coil assembly
	TXV does not open	Replace TXV
High head-high or normal vapor pressure (Cooling Mode)	Dirty condenser coil	Clean coil
	Refrigerant overcharge	Correct system charge
	Condenser fan not running	Repair or replace
	Air or non-condensable in system	Recover refrigerant, evacuate, and recharge
Low head-high vapor pressures	Defective compressor valves	Replace compressor
	Incorrect capillary tubes	Replace coil assembly

# 11 TROUBLESHOOTING & WIRING DIAGRAMS

**Table 11.1 - Troubleshooting Chart (Continued)**

Symptom	Possible Cause	Remedy
Low vapor-cool compressor-iced evaporator coil	<i>Low evaporator airflow</i>	Increase speed of blower or reduce restriction; replace air filter
	<i>Operating below 65°F outdoors</i>	Add Low Ambient Kit
	<i>Moisture in system</i>	Recover refrigerant; evacuate and recharge; add filter drier
High Vapor Pressure	<i>Excessive load</i>	Recheck load calculation
	<i>Defective compressor</i>	Replace
Fluctuating Head & Vapor Pressure	<i>TXV Hunting</i>	Check TXV bulb clamp; check air distribution on coil; replace TXV
	<i>Air or non-condensable in system</i>	Recover refrigerant; evacuate and recharge
Gurgle or pulsing noise at expansion device or liquid line	<i>Air or non-condensable in system</i>	Recover refrigerant; evacuate and recharge
Circulating air blower & inducer run continuously, compressor will not start	<i>Manual reset over-temperature control tipped</i>	Reset or replace
	<i>Wire loose in limit circuit</i>	Check wiring
Burners will not ignite	<i>Water in gas line</i>	Drain. Install drip leg.
	<i>No power to furnace</i>	Check power supply fuses, wiring, or circuit breaker.
	<i>No 24 volts power supply to control circuit</i>	Check transformer.
	<i>Mis-wired or loose connections</i>	Check all wiring and wire nut connections
	<i>Misaligned spark electrodes</i>	Check flame ignition and sense electrode positioning. Adjust as necessary.
	<i>No gas at main burners</i>	Check gas line for air. Purge as necessary. NOTE: After purging gas line of air, wait at least 5 minutes for any gas to dissipate before attempting to light unit. Check gas valve.
Inadequate heating	<i>Dirty air filter</i>	Clean or replace filter as necessary
	<i>Gas input to furnace too low</i>	Check gas pressure at manifold with that on unit nameplate.
	<i>Unit undersized for application</i>	Replace with proper unit or add additional unit.
	<i>Restricted airflow</i>	Clean or replace filter; remove any restriction
	<i>Limit switch cycles main burners</i>	Check rotation of blower, temperature rise of unit. Adjust as necessary.
Poor flame characteristics	<i>Incomplete combustion results in: Aldehyde odors, carbon monoxide, sooting flame, floating flame</i>	Tighten all screws around burner compartment
		Cracked heat exchanger. Replace as necessary.
		Unit over-fired. Reduce input (change orifices or adjust gas line or manifold pressure).
		Check burner alignment
		Inspect heat exchanger for blockage. Clean as necessary.
Both condenser fan and compressor startup and shutdown frequently (about three minutes per cycle)	<i>Abnormal high discharge pressure caused the high pressure switch act</i>	Refer to the remedy of "High head-high or normal vapor pressure-cooling mode".

## 11.2 High Altitude

Table 11.2a- 1075 Btu/Cu. Ft; 3.5" W.C.

Model	Number of Burners	Natural Gas				
		Heating Valve 1075 Btu/Cu.Ft.				
		Specific Gravity 0.65/Manifold Pressure @ 3.5" W.C.				
		Elevation 0-2000' (USA/ Canada)	Elevation 4000' (USA Only)	Elevation 6000' (USA Only)	Elevation 8000' (USA Only)	Elevation 2000-4500' (Canada)
MPG24S060MO13C	5	51	53	53	54	51
MPG30S060MO13C	5	51	53	53	54	51
MPG36S090MO13C	7	51	52	53	53	51
MPG42S090MO13C	6	49	50	51	52	49
MPG48S090MO13C	6	49	50	51	52	49
MPG60S110MO13C	7	49	50	51	51	49

Table 11.2b- 2500 Btu/Cu. Ft; 10" W.C.

Model	Number of Burners	Propane				
		Heating Valve 2500 Btu/Cu.Ft.				
		Specific Gravity 0.65/Manifold Pressure @ 10" W.C.				
		Elevation 0-2000' (USA/ Canada)	Elevation 4000' (USA Only)	Elevation 6000' (USA Only)	Elevation 8000' (USA Only)	Elevation 2000-4500' (Canada)
MPG24S060MO13C	5	59	63	64	64	59
MPG30S060MO13C	5	59	63	64	64	59
MPG36S090MO13C	7	59	62	63	64	59
MPG42S090MO13C	6	56	59	60	64	59
MPG48S090MO13C	6	56	59	60	61	56
MPG60S110MO13C	7	56	58	59	60	56

For addressing derating at altitudes above 2000 ft. (610 m), the instructions shall indicate one of the following:

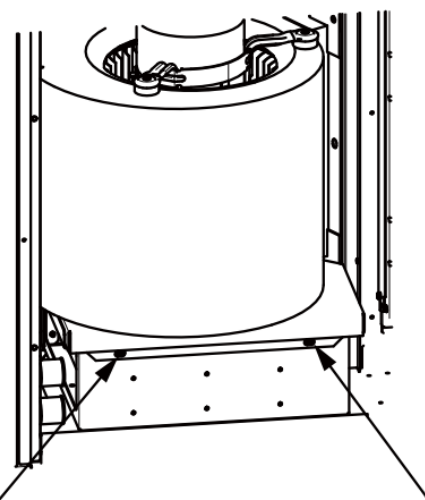
1. Installation of this furnace at altitudes above 2000 ft (610 m) shall be in accordance with local codes, or in the absence of local codes, the National Fuel Gas Code, ANSI Z223.1/NFPA 54 or National Standard of Canada, Natural Gas and Propane Installation Code, CSA B149.1.
2. For furnaces requiring modifications other than only gas orifice and/or manifold pressure adjustment for installation at high altitude, "Installation of this furnace at altitudes above 2000 ft (610 m) shall be made in accordance with the Listed High Altitude Conversion Kit available with this furnace."
3. For furnaces requiring only gas orifice and/or manifold pressure adjustment for installation at high altitude, the furnace installation instructions shall provide adequate details on proper adjustments for various altitudes.

## 11.3 Fuse Parameters

Table 11.3- Fuse Specifications

Model	Type	Rated Voltage	Rated Current	Dimensions
50T	/	250Vac	3.15A	5.2x20mm
522	Time Delay	250Vac	3.15A	5x20mm

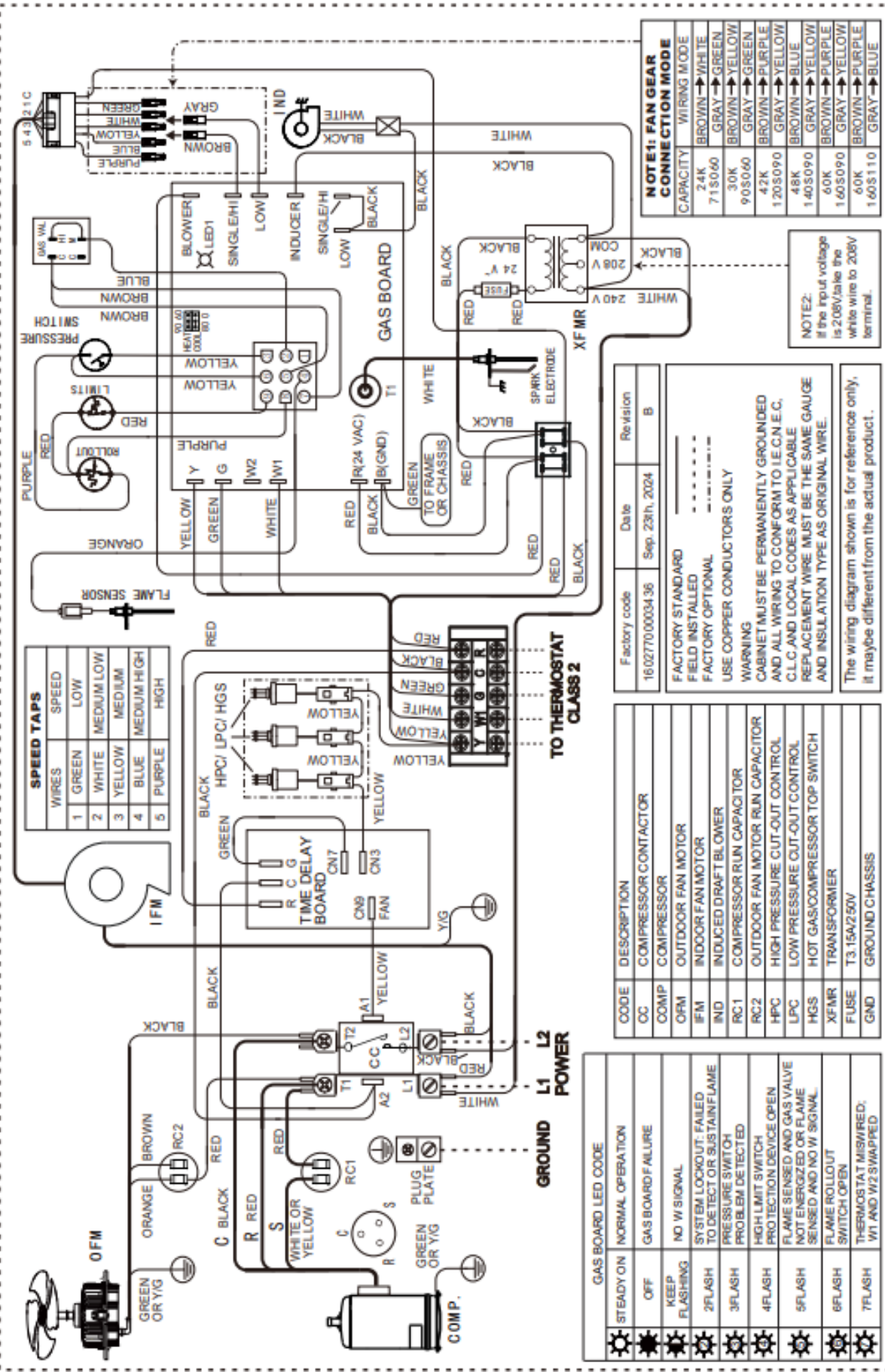
### Indoor Fan replacement procedure



- Step 1: Power off the unit and check to make sure motor is not operational.
- Step 2: Unplug the power and signal wires from the motor.
- Step 3: Use as crew driver to loosen the 2 bolts.
- Step 4: Ensure that there are no obstacles in the direction of blower housing asm extraction.
- Step 5: Pull out the blower housing asm horizontally.
- Step 6: Ensure that there are no obstacles in the direction of blower housing asm insertion.
- Step 7: New blower housing asm horizontally pushed in.
- Step 8: Use a screwdriver to tightening the 2 bolts.
- Step 9: Plug back the power and signal cables.
- Step 10: Power on the unit and check to make sure the motor is now operational.

# 11 TROUBLESHOOTING & WIRING DIAGRAMS

MPG24S060MO13C, MPG30S060MO13C, MPG48S090MO13C, MPG60S110MO13C



Factory code	Date	Revision
16027700003436	Sep. 23th, 2024	B

FACTORY STANDARD  
FIELD INSTALLED  
FACTORY OPTIONAL  
USE COPPER CONDUCTORS ONLY

**WARNING**  
CABINET MUST BE PERMANENTLY GROUNDED AND ALL WIRING TO CONFORM TO I.E.C.N.I.E.C. CL.C AND LOCAL CODES AS APPLICABLE REPLACEMENT WIRE MUST BE THE SAME GAUGE AND INSULATION TYPE AS ORIGINAL WIRE.

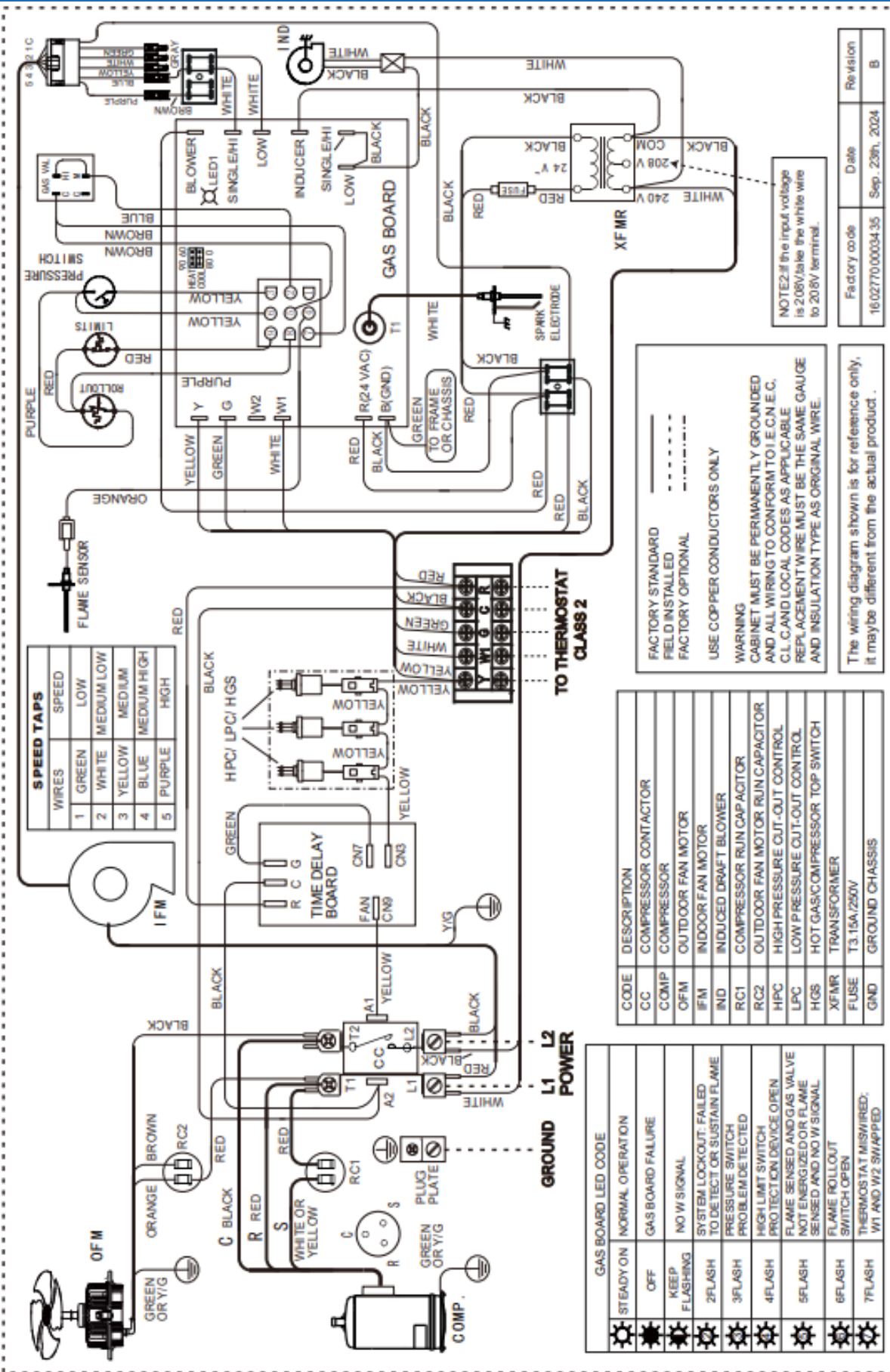
The wiring diagram shown is for reference only, it maybe different from the actual product.

CODE	DESCRIPTION
CC	COMPRESSOR CONTACTOR
COMP	COMPRESSOR
OFM	OUTDOOR FAN MOTOR
IFM	INDOOR FAN MOTOR
IND	INDUCED DRAFT BLOWER
RC1	COMPRESSOR RUN CAPACITOR
RC2	OUTDOOR FAN MOTOR RUN CAPACITOR
HPC	HIGH PRESSURE CUT-OUT CONTROL
LPC	LOW PRESSURE CUT-OUT CONTROL
HGS	HOT GAS/COMPRESSOR TOP SWITCH
XFMR	TRANSFORMER
FUSE	T3.15A/250V
GND	GROUND CHASSIS

CODE	DESCRIPTION
CC	COMPRESSOR CONTACTOR
COMP	COMPRESSOR
OFM	OUTDOOR FAN MOTOR
IFM	INDOOR FAN MOTOR
IND	INDUCED DRAFT BLOWER
RC1	COMPRESSOR RUN CAPACITOR
RC2	OUTDOOR FAN MOTOR RUN CAPACITOR
HPC	HIGH PRESSURE CUT-OUT CONTROL
LPC	LOW PRESSURE CUT-OUT CONTROL
HGS	HOT GAS/COMPRESSOR TOP SWITCH
XFMR	TRANSFORMER
FUSE	T3.15A/250V
GND	GROUND CHASSIS

# 11 TROUBLESHOOTING & WIRING DIAGRAMS

MPG36S090M013C



Factory code	Date	Revision
16027700034-35	Sep. 23th, 2024	B



**MRCOOL®**  
COMFORT MADE SIMPLE

**VersaPro®**  
**Gas Package Unit**  
Installation Manual

The design and specifications of this product and/or manual are subject to change without prior notice.  
Consult with the sales agency or manufacturer for details.