



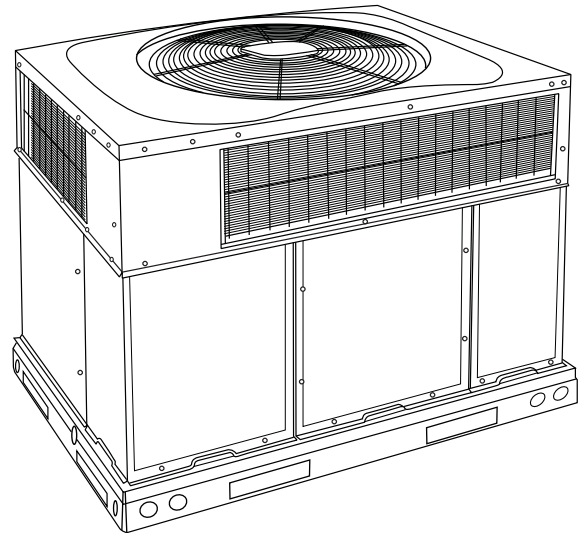
Installation Instructions

NOTE: Read the entire instruction manual before starting the installation.

NOTE: Installer: Make sure the Owner's Manual and Service Instructions are left with the unit after installation.

TABLE OF CONTENTS

	PAGE
SAFETY CONSIDERATIONS	1-2
INTRODUCTION	2
RECEIVING AND INSTALLATION	2-10
Check Equipment	2
Identify Unit	2
Inspect Shipment	2
Provide Unit Support	2
Roof Curb	2
Slab Mount	2
Provide Clearances	2
Rig and Place Unit	3
Inspection	3
Rigging/Lifting of Unit	7
Select and Install Ductwork	7
Converting Horizontal Discharge Units to Downflow (Vertical) Discharge Units	8
Provide for Condensate Disposal	9
Install Electrical Connections	9
High-Voltage Connections	9
Special Procedures for 208-V Operation	10
Control Voltage Connections	10
Standard Connections	10
Transformer Protection	10
Accessory Electric Heaters Installation	10
PRE-START-UP	18
START-UP	18-22
Checking Cooling & Heating Control Operation	18
Check for Refrigerant Leaks	18
Start-Up Adjustments	18
604D--A Sequence of Operation	19
Checking & Adjusting Refrigerant Charge	19
Indoor Airflow & Airflow Adjustments	19
Continuous Fan Operation	20
Defrost Control	22
Quiet Shift	22
Defrost	22
MAINTENANCE	22-33
Air Filter	22
Indoor Blower and Motor	22
Outdoor Coil, Indoor Coil, & Condensate Drain Pan	23
Outdoor Fan	23
Electrical Controls and Wiring	31
Refrigerant Circuit	31
Indoor Airflow	32
Metering Devices- TXV & Piston	32
Pressure Switches	32
Loss of Charge Switch	32
High Pressure Switch	32
Copeland Scroll compressor (Puron Refrigerant)	32
Refrigerant System	32



A09034

Fig. 1 - Unit 604D--A

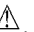
Refrigerant	32
Compressor Oil	32
Servicing Systems on Roofs with Synthetic Materials	32
Liquid Line Filter Drier	33
Puron® (R-410A) Refrigerant Charging	33
System Information	33
Loss of Charge Switch	33
Check Defrost Thermostat	33
TROUBLESHOOTING	33
START-UP CHECKLIST	33

SAFETY CONSIDERATIONS

Installation and servicing of this equipment can be hazardous due to mechanical and electrical components. Only trained and qualified personnel should install, repair, or service this equipment.

Untrained personnel can perform basic maintenance functions such as cleaning and replacing air filters. All other operations must be performed by trained service personnel. When working on this equipment, observe precautions in the literature, on tags, and on labels attached to or shipped with the unit and other safety precautions that may apply.

Follow all safety codes. Wear safety glasses, protective clothing, and work gloves. Use quenching cloth for brazing operations. Have a fire extinguisher available. Read these instructions thoroughly and follow all warnings or cautions included in literature and attached to the unit. Consult local building codes, the current editions of the National Electrical Code (NEC) NFPA 70. In Canada refer to the current editions of the Canadian electrical Code CSA C22.1.

Recognize safety information. This is the safety-alert symbol . When you see this symbol on the unit and in instructions or manuals, be alert to the potential for personal injury. Understand these signal words: DANGER, WARNING, and CAUTION. These words are used with the safety-alert symbol. DANGER identifies the most serious hazards which **will** result in severe personal injury

or death. **WARNING** signifies hazards which **could** result in personal injury or death. **CAUTION** is used to identify unsafe practices which **may** result in minor personal injury or product and property damage. **NOTE** is used to highlight suggestions which **will** result in enhanced installation, reliability, or operation.

WARNING

ELECTRICAL SHOCK HAZARD

Failure to follow this warning could result in personal injury or death.

Before installing or servicing system, always turn off main power to system and install lockout tag. There may be more than one disconnect switch. Turn off accessory heater power switch if applicable.

WARNING

FIRE, EXPLOSION, ELECTRICAL SHOCK HAZARD

Failure to follow this warning could result in personal injury, death or property damage.

A qualified installer or agency must use only factory-authorized kits or accessories when modifying this product.

CAUTION

CUT HAZARD

Failure to follow this caution may result in personal injury.

When removing access panels (see Fig. 20) or performing maintenance functions inside your unit, be aware of sharp sheet metal parts and screws. Although special care is taken to reduce sharp edges to a minimum, be extremely careful when handling parts or reaching into the unit.

INTRODUCTION

The 604D--A heat pump is fully self-contained and designed for outdoor installation. (See Fig. 1.) Standard units are shipped in a horizontal-discharge configuration for installation on a groundlevel slab. Standard units can be converted to downflow (vertical) discharge configurations for rooftop applications.

RECEIVING AND INSTALLATION

Step 1 — Check Equipment

Identify Unit

The unit model number and serial number are stamped on the unit identification plate. Check this information against shipping papers.

Inspect Shipment

Inspect for shipping damage before removing packaging materials. If unit appears to be damaged or is torn loose from its anchorage, have it examined by transportation inspectors before removal. Forward claim papers directly to transportation company. Manufacturer is not responsible for any damage incurred in transit. Check all items against shipping list. Immediately notify the nearest equipment distributor if any item is missing. To prevent loss or damage, leave all parts in original packages until installation.

If the unit is to be mounted on a curb in a downflow application, review Step 5 to determine which method is to be used to remove the downflow panels before rigging and lifting into place. The panel removal process may require the unit to be on the ground.

IMPORTANT: The unit must be secured to the curb by installing screws through the bottom of the curb flange and into the unit base rails. When installing large base units onto the common curb, the screws must be installed before allowing the full weight of the unit to rest on the curb. A minimum of six screws are required for large base units. Failure to secure unit properly could result in an unstable unit. See Warning near Rigging/Lifting information and accessory curb instructions for more details.

Step 2 — Provide Unit Support

Roof Curb

Install accessory roof curb in accordance with instructions shipped with curb (See Fig. 4). Install insulation, cant strips, roofing, and flashing. Ductwork must be attached to curb.

IMPORTANT: The gasketing of the unit to the roof curb is critical for a watertight seal. Install gasketing material supplied with the roof curb. Improperly applied gasketing also can result in air leaks and poor unit performance.

Curb should be level to within 1/4 in. (6 mm) (See Fig. 6). This is necessary for unit drain to function properly. Refer to accessory roof curb installation instructions for additional information as required.

Installation on older “G” series roof curbs.

Two accessory kits are available to aid in installing a new “G” series unit on an old “G” roof curb.

1. Accessory kit number CPADCURB001A00, (small chassis) and accessory kit number CPADCURB002A00, (large chassis) includes roof curb adapter and gaskets for the perimeter seal and duct openings. No additional modifications to the curb are required when using this kit.
2. An alternative to the adapter curb is to modify the existing curb by removing the outer horizontal flange and use accessory kit number CPGSKTKIT001A00 which includes spacer blocks (for easy alignment to existing curb) and gaskets for the perimeter seal and duct openings. This kit is used when existing curb is modified by removing outer horizontal flange.

CAUTION

UNIT/STRUCTURAL DAMAGE HAZARD

Failure to follow this caution may result in property damage.

Ensure there is sufficient clearance for saw blade when cutting the outer horizontal flange of the roof curb so there is no damage to the roof or flashing.

Slab Mount

Place the unit on a solid, level pad that is at least 2 in. (51 mm) above grade (See Fig. 8). The pad should extend approximately 2 in. (51 mm) beyond the casing on all 4 sides of the unit. Do not secure the unit to the pad except when required by local codes.

Step 3 — Provide Clearances

The required minimum service clearances are shown in Fig. 2 and 3. Adequate ventilation and outdoor air must be provided. The outdoor fan draws air through the outdoor coil and discharges it through the top fan grille. Be sure that the fan discharge does not recirculate to the outdoor coil. Do not locate the unit in either a corner or under an overhead obstruction. The minimum clearance under a partial overhang (such as a normal house overhang) is 48 in. (1219 mm) above the unit top. The maximum horizontal extension of a partial overhang must not exceed 48 in. (1219 mm).

IMPORTANT: Do not restrict outdoor airflow. An air restriction at either the outdoor-air inlet or the fan discharge may be detrimental to compressor life.

Do not place the unit where water, ice, or snow from an overhang or roof will damage or flood the unit. Do not install the unit on carpeting or other combustible materials. Slab-mounted units should be at least 2 in. (51 mm) above the highest expected water and runoff levels. Do not use unit if it has been under water.

Step 4 — Rig and Place Unit

Rigging and handling of this equipment can be hazardous for many reasons due to the installation location (roofs, elevated structures, etc.).

Only trained, qualified crane operators and ground support staff should handle and install this equipment.

When working with this equipment, observe precautions in the literature, on tags, stickers, and labels attached to the equipment, and any other safety precautions that might apply.

Training for operators of the lifting equipment should include, but not be limited to, the following:

1. Application of the lifter to the load, and adjustment of the lifts to adapt to various sizes or kinds of loads.
2. Instruction in any special operation or precaution.
3. Condition of the load as it relates to operation of the lifting kit, such as balance, temperature, etc.

Follow all applicable safety codes. Wear safety shoes and work gloves.

INSPECTION

Prior to initial use, and at monthly intervals, all rigging shackles, clevis pins, and straps should be visually inspected for any damage, evidence of wear, structural deformation, or cracks. Particular attention should be paid to excessive wear at hoist hooking points and load support areas. Materials showing any kind of wear in these areas must not be used and should be discarded.



WARNING

UNIT FALLING HAZARD

Failure to follow this warning could result in personal injury or death.

Never stand beneath rigged units or lift over people.



WARNING

PROPERTY DAMAGE HAZARD

Failure to follow this warning could result in personal injury/death or property damage.

When straps are taut, the clevis should be a minimum of 36 in. (914 mm) above the unit top cover.

604D --A

UNIT	ELECTRICAL CHARACTERISTICS	UNIT WT.		UNIT HEIGHT IN/MM		CENTER OF GRAVITY IN/MM					
		LB	KG	"A"	"A"	X	Y	Z			
604DNV24000AA	208/230-1-60	320	145.0	42-1/8	1070	19-3/4	501.7	14-3/4	374.7	16	406.4
604D(N/P)VA36000AA	208/230-1, 208/230-3-60	332	150.7	42-1/8	1070	19-3/4	501.7	14-3/4	374.7	16	406.4
604D(N/P)VA36000AA	208/230-1, 208/230-3-60	336	152.3	42-1/8	1070	19-3/4	501.7	14-3/4	374.7	16	406.4
604DEXA36000AA	460-3-60	350	158.6	42-1/8	1070	19-3/4	501.7	14-3/4	374.7	16	406.4

UNITS	VOLTAGE	CORNER WEIGHT LB/KG		
		"1"	"2"	"4"
604DNV24000AA	208/230	64.0	29.0	51.2
604D(N/P)VA36000AA	208/230	66.5	30.2	53.2
604D(N/P)VA36000AA	208/230	67.2	30.5	53.7
604DEXA36000AA	460	67.2	30.5	53.7

NOTE: ALL TABLE DATA RELEVANT FOR ALL FACTORY INSTALLED OPTIONS EXCEPT ECONOMIZER

REQUIRED CLEARANCES TO COMBUSTIBLE MAIL

INCHES (MM)

TOP OF UNIT.....2 (50.8)

DUCT SIDE OF UNIT.....2 (50.8)

SIDE OPPOSITE DUCTS.....14 (355.6)

BOTTOM OF UNIT.....0 (0.0)

ELECTRICAL PANEL.....36 (914.4)

NEC - REQUIRED CLEARANCES

INCHES (MM)

BETWEEN UNITS, POWER ENTRY SIDE.....42 (1066.8)

AND BLOWER PANEL, POWER ENTRY SIDE.....36 (914.0)

UNIT AND BLOWER PANEL, CONCRETE WALLS AND OTHER GROUNDED SURFACES - POWER ENTRY SIDE.....42 (1066.8)

REQUIRED CLEARANCE FOR OPERATION AND SERVICING

INCHES (MM)

EVAP. COIL ACCESS SIDE.....36 (914.0)

POWER ENTRY SIDE.....42 (1066.8)

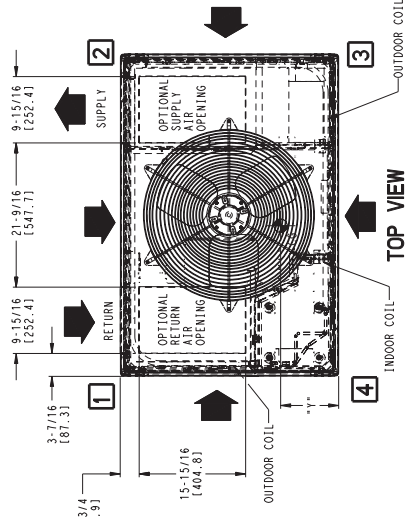
(EXCEPT FOR NEC REQUIREMENTS)

UNIT AND BLOWER PANEL, CONCRETE WALLS AND OTHER GROUNDED SURFACES - POWER ENTRY SIDE.....42 (1066.8)

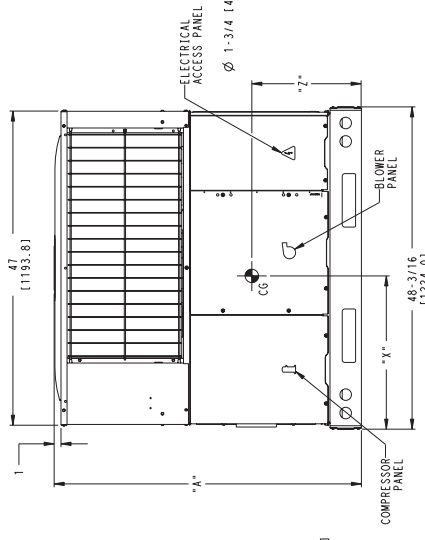
DUCT SIDE OPPOSITE DUCTS.....48 (1219.2)

DUCT PANEL.....32 (812.8)

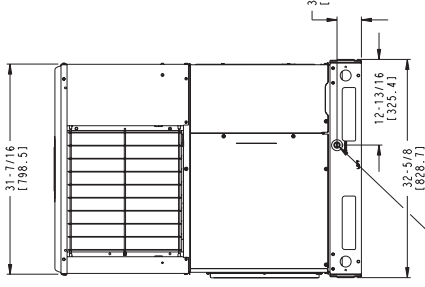
*MINIMUM DISTANCES: IF UNIT IS PLACED LESS THAN 12 (304.8) FROM WALL SYSTEM, THEN SYSTEM PERFORMANCE MAY BE COMPROMISED.



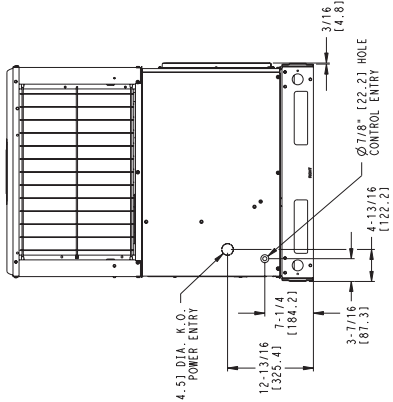
TOP VIEW



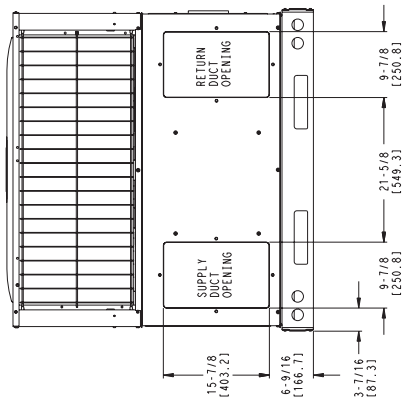
FRONT VIEW



LEFT SIDE VIEW



RIGHT SIDE VIEW



REAR VIEW

50EZ500506
REV 2.0

Fig. 2 - 604D--A24-36 Unit Dimensions

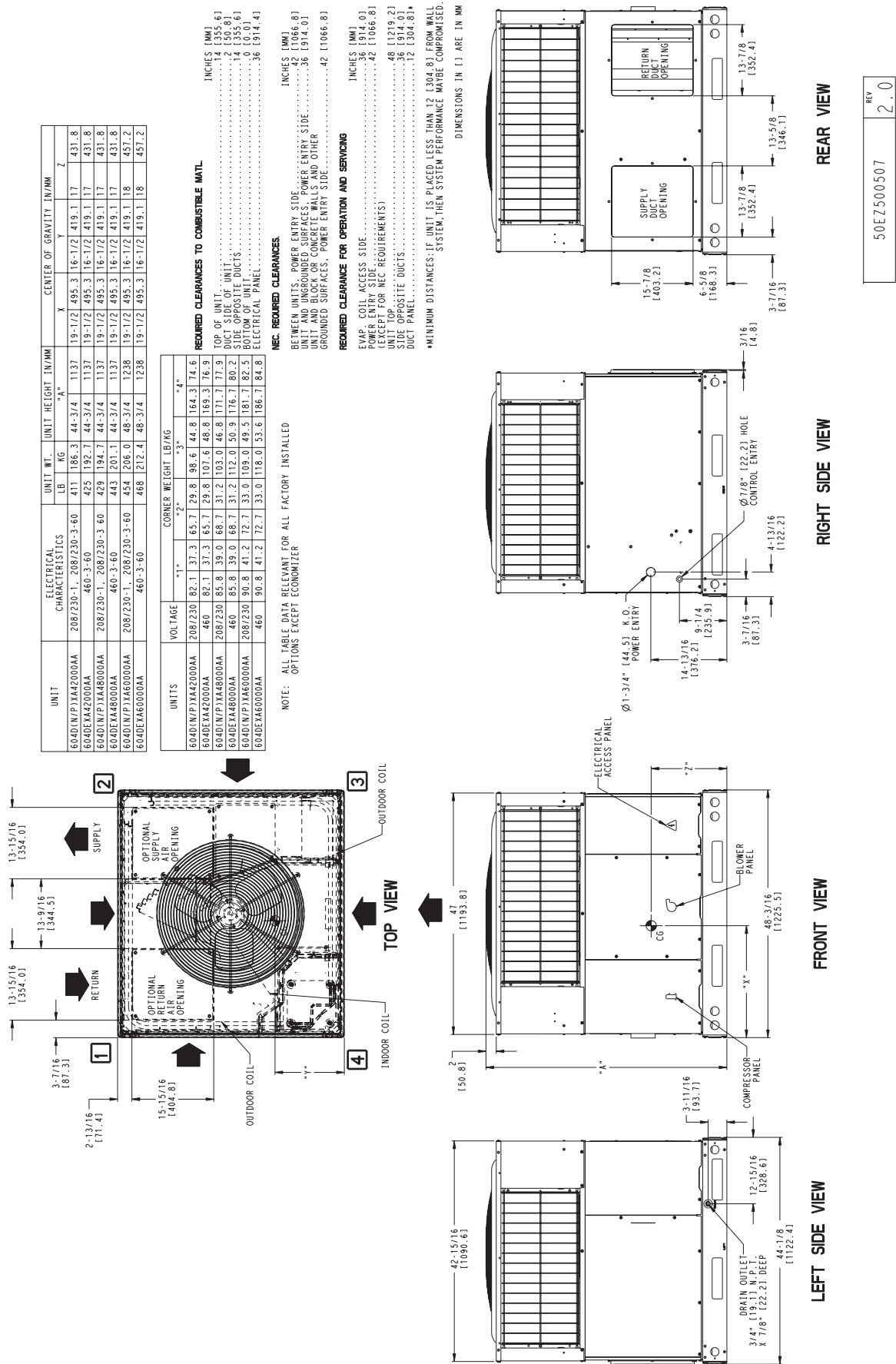


Fig. 3 - 604D--A42-60 Unit Dimensions

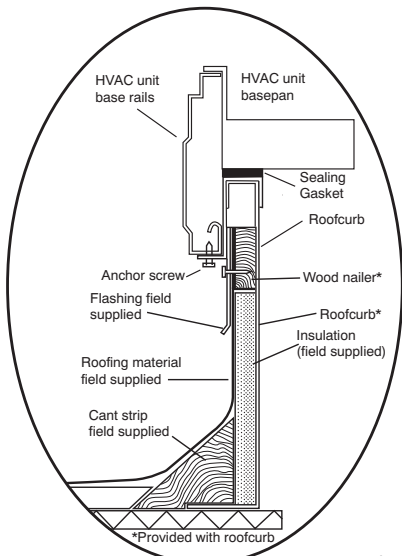
A09472

604D--A

50EZ500507
REV 2.0

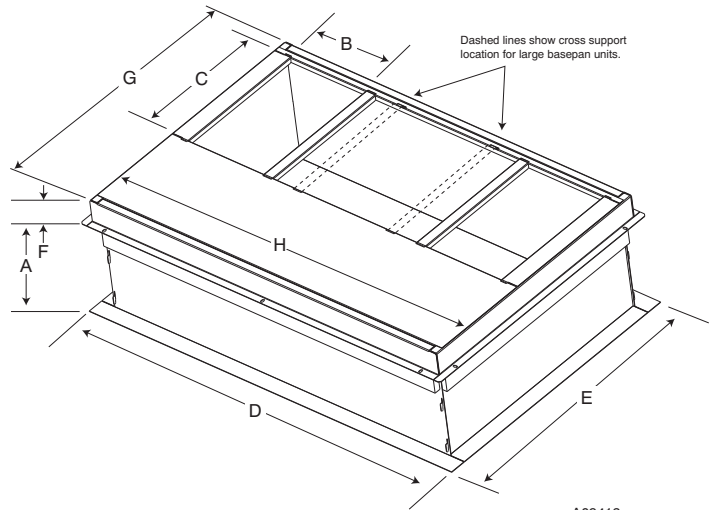
REAR VIEW
RIGHT SIDE VIEW
FRONT VIEW
LEFT SIDE VIEW

604D--A



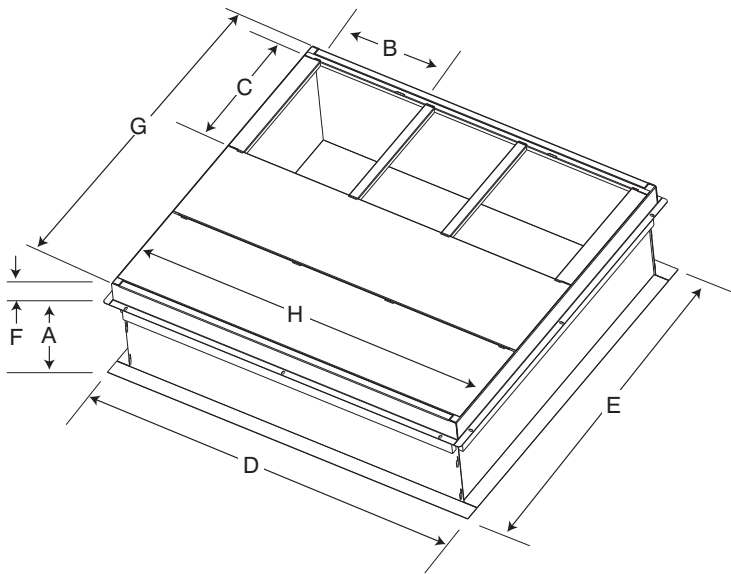
A09090

ROOF CURB DETAIL



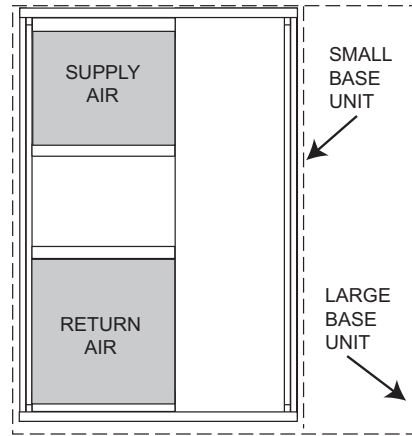
A09413

SMALL/COMMON CURB



A09415

LARGE CURB



A09094

UNIT PLACEMENT ON COMMON CURB

SMALL OR LARGE BASE UNIT

A09414

UNIT SIZE	CATALOG NUMBER	A IN. (mm)	B (small/common base) IN. (mm)*	B (large base) IN. (mm)*	C IN. (mm)	D IN. (mm)	E IN. (mm)	F IN. (mm)	G IN. (mm)	H IN. (mm)
Small or Large	CPRFCURB010A00	11 (279)	10 (254)	14 (356)	16 (406)	47.8 (1214)	32.4 (822)	2.7 (69)	30.6 (778)	46.1 (1170)
	CPRFCURB011A00	14 (356)								
Large	CPRFCURB012A00	11 (279)	14 (356)	14 (356)	16 (406)	47.8 (1214)	43.9 (1116)	2.7 (69)	42.2 (1072)	46.1 (1170)
	CPRFCURB013A00	14 (356)								

* Part Numbers CPRFCURB010A00 and CPRFCURB011A00 can be used on both small and large basepan units. The cross supports must be located based on whether the unit is a small basepan or a large basepan.

NOTES:

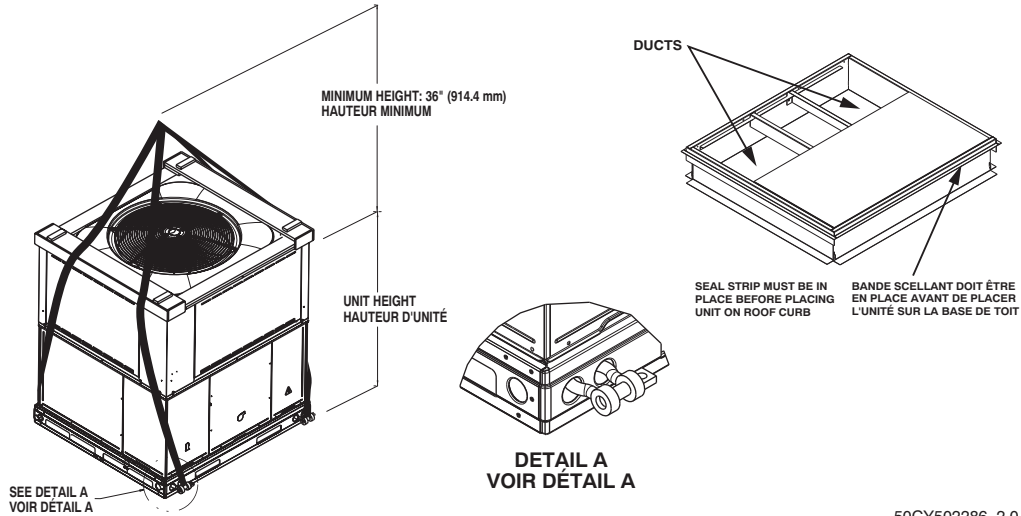
1. Roof curb must be set up for unit being installed.
2. Seal strip must be applied, as required, to unit being installed.
3. Roof curb is made of 16-gauge steel.
4. Attach ductwork to curb (flanges of duct rest on curb).
5. Insulated panels: 1-in. (25.4 mm) thick fiberglass 1 lb. density.

Fig. 4 - Roof Curb Dimensions

⚠ CAUTION - NOTICE TO RIGGERS ⚠ PRUDENCE - AVIS AUX MANIPULATEUR

ACCESS PANELS MUST BE IN PLACE WHEN RIGGING.
PANNEAUX D'ACCES DOIT ÊTRE EN PLACE POUR MANIPULATION.

Use top skid as spreader bar. / Utiliser la palette du haut comme barre de répartition



50CY502286 2.0

A09051

Unit	CORNER WEIGHTS (SMALL CABINET)						Unit	CORNER WEIGHTS (LARGE CABINET)					
	24		30		36			42		48		60	
	lb	kg	lb	kg	lb	kg	lb	kg	lb	kg	lb	kg	
Rigging Weight	327	148	340	154	343	156	Rigging Weight	419	190	429	195	454	206

*For 460 Volt units add 14 lb (6.35 kg) to the rigging weight.

NOTE: See dimensional drawing for corner weights.

Fig. 5 - Rigging Weights

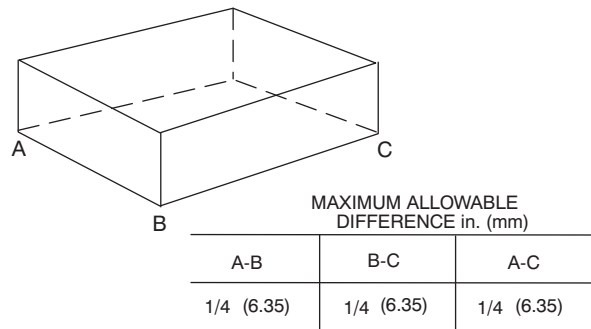
Rigging/Lifting of Unit (See Fig. 5.)

⚠ WARNING

UNIT FALLING HAZARD

Failure to follow this warning could result in personal injury or death.

Large base units must be secured to common curb before allowing full weight of unit to rest on curb. Install screws through curb into unit base rails while rigging crane is still supporting unit.



A07925

Fig. 6 - Unit Leveling Tolerances

Lifting holes are provided in base rails as shown in Fig. 2 and 3.

1. Leave top shipping skid on the unit for use as a spreader bar to prevent the rigging straps from damaging the unit. If the skid is not available, use a spreader bar of sufficient length to protect the unit from damage.
2. Attach shackles, clevis pins, and straps to the base rails of the unit. Be sure materials are rated to hold the weight of the unit. (See Fig. 5).
3. Attach a clevis of sufficient strength in the middle of the straps. Adjust the clevis location to ensure unit is lifted level with the ground.

After the unit is placed on the roof curb or mounting pad, remove the top skid.

Step 5 — Select and Install Ductwork

The design and installation of the duct system must be in accordance with the standards of the NFPA for installation of non-residence type air conditioning and ventilating systems, NFPA 90A or residence-type, NFPA 90B and/or local codes and ordinances.

Select and size ductwork, supply-air registers, and return air grilles according to ASHRAE (American Society of Heating, Refrigeration, and Air Conditioning Engineers) recommendations.

The unit has duct flanges on the supply- and return-air openings on the side of the unit.

⚠️ WARNING

PERSONAL INJURY AND ELECTRICAL OPERATION HAZARD

Failure to follow this warning could result in personal injury or death.

For vertical supply and return units, tools or parts could drop into ductwork. Install a 90 degree turn in the return ductwork between the unit and the conditioned space. If a 90 degree elbow cannot be installed, then a grille of sufficient strength and density should be installed to prevent objects from falling into the conditioned space. Units with electric heaters require 90 degree elbow in supply duct.

When designing and installing ductwork, consider the following:

1. All units should have field-supplied filters or accessory filter rack installed in the return-air side of the unit. Recommended sizes for filters are shown in Table 1.
2. Avoid abrupt duct size increases and reductions. Abrupt change in duct size adversely affects air performance.

IMPORTANT: Use flexible connectors between ductwork and unit to prevent transmission of vibration. Use suitable gaskets to ensure weather tight and airtight seal. When electric heat is installed, use fireproof canvas (or similar heat resistant material) connector between ductwork and unit discharge connection. If flexible duct is used, insert a sheet metal sleeve inside duct. Heat resistant duct connector (or sheet metal sleeve) must extend 24-in. (610 mm) from electric heater element.

3. Size ductwork for cooling air quantity (cfm). The minimum air quantity for proper electric heater operation is listed in Table 2. Heater limit switches may trip at air quantities below those recommended.
4. Seal, insulate, and weatherproof all external ductwork. Seal, insulate and cover with a vapor barrier all ductwork passing through conditioned spaces. Follow latest Sheet Metal and Air Conditioning Contractors National Association (SMACNA) and Air Conditioning Contractors Association (ACCA) minimum installation standards for residential heating and air conditioning systems.
5. Secure all ducts to building structure. Flash, weatherproof, and vibration-isolate duct openings in wall or roof according to good construction practices.

Converting Horizontal Discharge Units to Downflow (Vertical) Discharge Units

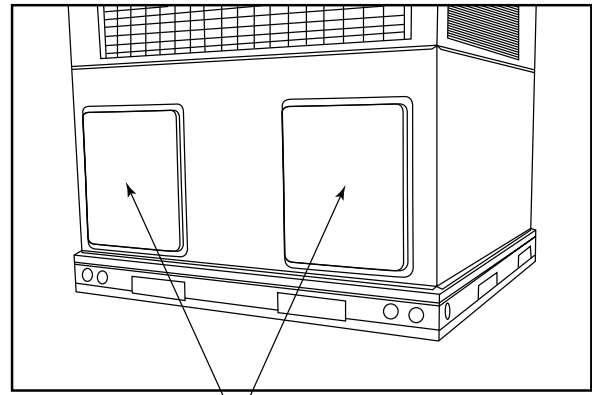
⚠️ WARNING

ELECTRICAL SHOCK HAZARD

Failure to follow this warning could result in personal injury or death.

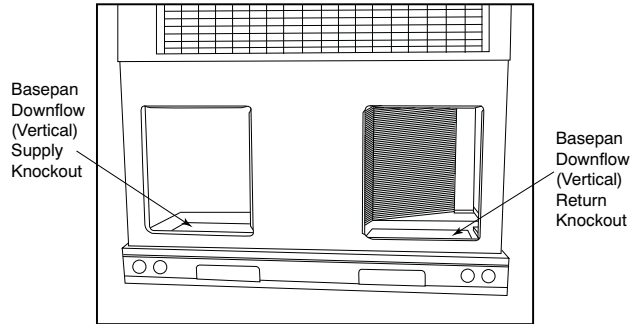
Before installing or servicing system, always turn off main power to system and install lockout tag. There may be more than one disconnect switch.

1. Open all electrical disconnects and install lockout tag before starting any service work.
2. Remove horizontal (metal) ductcovers to access vertical (downflow) discharge duct knockouts in unit basepan. (See Fig. 7.)
3. After completing unit conversion, perform all safety checks and power up unit.



Horizontal Duct Covers

A09061



A09088

Fig. 7 - Supply and Return Duct Openings

⚠️ CAUTION

PROPERTY DAMAGE HAZARD

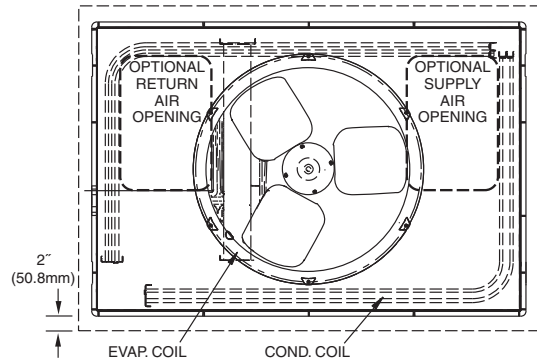
Failure to follow this caution may result in property damage.

Collect ALL screws that were removed. DO NOT leave screws on rooftop as permanent damage to the roof may occur.

To remove downflow return and supply knockout covers, break front and right side connections tabs with a screwdriver and hammer. Push cover down to break rear and left side tabs.

NOTE: These panels are held in place with tabs similar to an electrical knockout. Reinstall horizontal duct covers (Fig. 7) shipped on unit from factory. Insure openings are air and watertight.

NOTE: The design and installation of the duct system must be in accordance with the standards of the NFPA for installation of non residence-type air conditioning and ventilating systems, NFPA 90A or residence-type, NFPA 90B; and/or local codes and ordinances.



A07926

Fig. 8 - Slab Mounting Detail

Step 6 — Provide for Condensate Disposal

NOTE: Ensure that condensate-water disposal methods comply with local codes, restrictions, and practices.

The 604D--A units dispose of condensate through a 3/4 in. NPT female fitting that exits on the compressor end of the unit. Condensate water can be drained directly onto the roof in rooftop installations (where permitted) or onto a gravel apron in ground level installations. Install a field-supplied 2-in. (51 mm) condensate trap at end of condensate connection to ensure proper drainage. Make sure that the outlet of the trap is at least 1 in. (25 mm) lower than the drain-pan condensate connection to prevent the pan from overflowing. Prime the trap with water. When using a gravel apron, make sure it slopes away from the unit.

If the installation requires draining the condensate water away from the unit, install a field-supplied 2 -in. (51mm) trap at the condensate connection to ensure proper drainage. Condensate trap is available as an accessory or is field-supplied. Make sure that the outlet of the trap is at least 1 in. (25 mm) lower than the unit drain-pan condensate connection to prevent the pan from overflowing. Connect a drain trough using a minimum of field-supplied 3/4-in. PVC or field-supplied 3/4-in. copper pipe at outlet end of the 2-in. (51 mm) trap. (See Fig. 10) Do not undersize the tube. Pitch the drain trough downward at a slope of at least 1 in. (25 mm) every 10 ft (3 m) of horizontal run. Be sure to check the drain trough for leaks. Prime the trap at the beginning of the cooling season start-up.

Step 7 — Install Electrical Connections

⚠ CAUTION

UNIT COMPONENT DAMAGE HAZARD

Failure to follow this caution may result in damage to the unit being installed.

1. Make all electrical connections in accordance with NEC NFPA 70 (latest edition) and local electrical codes governing such wiring. In Canada, all electrical connections must be in accordance with CSA standard C22.1 Canadian Electrical Code Part 1 and applicable local codes. Refer to unit wiring diagram.
2. Use only copper conductor for connections between field-supplied electrical disconnect switch and unit. **DO NOT USE ALUMINUM WIRE.**
3. Be sure that high-voltage power to unit is within operating voltage range indicated on unit rating plate. On 3-phase units, ensure phases are balanced within 2 percent. Consult local power company for correction of improper voltage and/or phase imbalance.
4. Do not damage internal components when drilling through any panel to mount electrical hardware, conduit, etc.

⚠ WARNING

ELECTRICAL SHOCK HAZARD

Failure to follow this warning could result in personal injury or death.

The unit cabinet must have an uninterrupted, unbroken electrical ground. This ground may consist of an electrical wire connected to the unit ground screw in the control compartment, or conduit approved for electrical ground when installed in accordance with NEC,NFPA 70 National Fire Protection Association (latest edition) (in Canada, Canadian Electrical Code CSA C22.1) and local electrical codes.

High-Voltage Connections

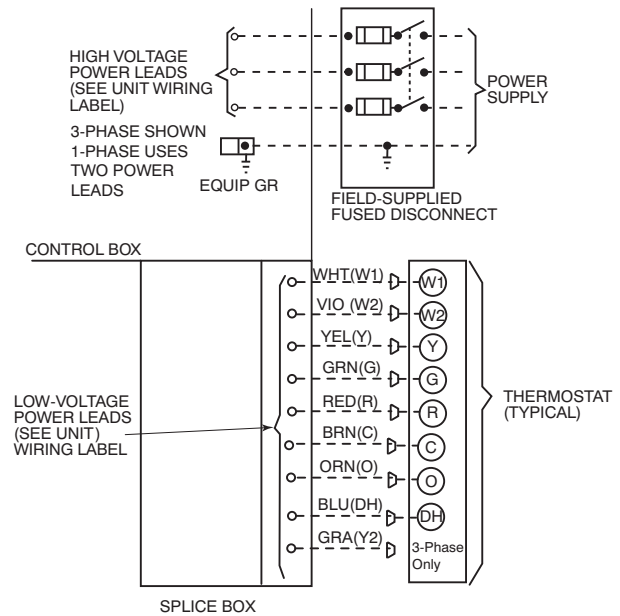
The unit must have a separate electrical service with a field-supplied, waterproof disconnect switch mounted at, or within sight from the unit. Refer to the unit rating plate, NEC and local codes for maximum fuse/circuit breaker size and minimum circuit amps (ampacity) for wire sizing.

The field-supplied disconnect may be mounted on the unit over the high-voltage inlet hole when the standard power and low-voltage entry points are used. See Fig. 2 and 3 for acceptable location. Remove high voltage knockout.

See unit wiring label (Fig. 11-13) and Fig. 9 for reference when making high voltage connections. Proceed as follows to complete the high-voltage connections to the unit.

Single phase units:

1. Run the high-voltage (L1, L2) and ground lead into the control box.
2. Connect ground lead to chassis ground connection.
3. Locate the black and yellow wires connected to the line side of the contactor.



A09071

Fig. 9 - High- and Control-Voltage Connections

4. Connect field L1 to black wire on connection 11 of the compressor contactor.
5. Connect field wire L2 to yellow wire on connection 23 of the compressor contactor.

Three-phase units:

1. Run the high-voltage (L1, L2, L3) and ground lead into the control box.
2. Connect ground lead to chassis ground connection.
3. Locate the black and yellow wires connected to the line side of the contactor.
4. Connect field L1 to black wire on connection 11 of the compressor contactor.
5. Connect field wire L3 to yellow wire on connection 13 of the compressor contactor.
6. Connect field wire L2 to blue wire from compressor.

Special Procedures for 208-V Operation

⚠ WARNING

ELECTRICAL SHOCK HAZARD

Failure to follow this warning could result in personal injury or death.

Before installing or servicing system, always turn off main power to system and install lockout tag. With disconnect switch open, move black wire from transformer (3/16 in.) terminal marked 230 to terminal marked 200. This retaps transformer to primary voltage of 208 vac.

Control Voltage Connections

NOTE: Do not use any type of power-stealing thermostat. Unit control problems may result.

Use no. 18 American Wire Gage (AWG) color-coded, insulated (35°C minimum) wires to make the control voltage connections between the thermostat and the unit. If the thermostat is located more than 100 ft (30.5 m) from the unit (as measured along the control voltage wires), use no. 16 AWG color-coded, insulated (35° C minimum) wires.

Standard Connections

Locate the eight (nine on 3-phase) low voltage thermostat leads in 24 volt splice box. See Fig. 9 for connection diagram. Run the low-voltage leads from the thermostat, through the control wiring inlet hole grommet (Fig. 2 and 3), and into the low-voltage splice box. Provide a drip loop before running wires through panel. Secure and strain relief all wires so that they do not interfere with operation of unit. A gray wire is standard on 3-phase units for connection to an economizer.

If an accessory electric heater is installed, low voltage leads from heater must be connected to factory supplied control leads from Indoor Fan Board P4 connector.

NOTE: If the unit 24V wires do not have a matching receptacle, cut the 24V wires from the electric heater plug, strip the ends, and wire nut together to match the schematic connections. If the electric heater 24V wires do not have a matching plug, cut the 24V wires from the unit receptacle, strip the ends, and wire nut together to match the schematic connections.

Factory wires are provided for electric heat staging W1 and W2 (W2 and W3 on IFB). If room thermostat has only one stage of supplemental heat, connect white and violet wires shown in Fig. 9 to second stage heat field wire.

Some electric heaters have four control wires (plus common wire). Consult unit wiring diagram and electric heater wiring diagram for additional details.

Transformer Protection

The transformer is of the energy-limiting type. It is set to withstand a 30-second overload or shorted secondary condition. If an overload or short is present, correct overload condition and check for blower fuse on Interface Fan Board. Replace fuse as required with correct size and rating.

Accessory Electric Heaters Installation

Electric heaters may be installed with the 604D--A units per instructions supplied with electric heater package. See unit rating plate for factory-approved electric heater kits.

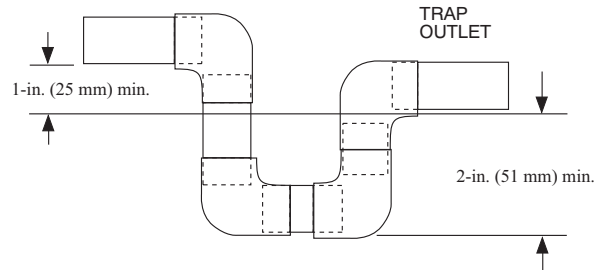


Fig. 10 - Condensate Trap

A09052

Table 1 – Physical Data - Unit 604D--A

UNIT SIZE	604D--A24	604D--A30	604D--A36	604D--A42	604D--A48	604D--A60
NOMINAL CAPACITY (ton)	2	2.5	3	3.5	4	5
SHIPPING WEIGHT† (lb)	327	340	343	419	429	454
(kg)	148	154	156	190	195	206
COMPRESSOR QUANTITY	1					
TYPE	SCROLL COMPRESSOR					
REFRIGERANT	R-410A					
Refrigerant (R-410A) Quantity (lb)	8.3	10.2	7.9	10.0	9.6	12.3
Quantity (kg)	3.8	4.6	3.6	4.5	4.4	5.6
METERING DEVICE ID	TXV					
ORIFICE OD (in.)	0.032 (2)	0.035 (2)	0.037 (2)	0.038 (Left OD Coil)	0.046 (2)	0.052 (2)
(mm)				0.040 (Right OD Coil)		
OUTDOOR COIL						
Rows... Fins/in.	2...21	2...21	2...21	2...21	2...21	2...21
face area (sq. ft.)	11.9	11.9	11.9	13.6	13.6	17.5
OUTDOOR FAN	2000	2700	2700	3100	3100	3500
Nominal Airflow (CFM)	24	24	24	26	26	26
Diameter Motor HP (RPM)	1/5 (810)	1/5 (810)	1/5 (810)	1/5 (810)	1/5 (810)	1/5 (810)
INDOOR COIL						
Rows... Fins/in.	3...17	3...17	3...17	3...17	3...17	3...17
face area (sq. ft.)	3.7	3.7	3.7	4.7	4.7	5.7
INDOOR BLOWER						
Nominal Cooling Airflow (CFM)	800	1000	1200	1400	1600	1800
Size (in.)	10x10	10x10	11x10	11x10	11x10	11x10
(mm)	254x254	254x254	279x254	279x254	279x254	279x254
Motor (HP)	1/2	1/2	3/4	3/4	1.0	1.0
HIGH-PRESSURE SWITCH (psig)	650±15					
Cutout	420±25					
Reset (Auto)						
LOSS-OF-CHARGE/LOW-PRESSURE SWITCH	20±5					
(Liquid Line) (psig)	45±10					
Cutout						
Reset (Auto)	20±5					
45±10						
RETURN-AIR FILTERS*†						
throwaway (in.)	20x20x1	20x24x1	24x30x1	24x36x1	24x36x1	24x36x1
(mm)	508x508x25	508x610x25	610x762x25	610x914x25	610x914x25	610x914x25

604D--A

*Required filter sizes shown are based on the larger of the AHRI (Air Conditioning, Heating and Refrigeration Institute) rated cooling airflow or the heating airflow velocity of 300 ft/minute for throwaway type or 450 ft/minute for high-capacity type. Air filter pressure drop for non-standard filters must not exceed 0.08 IN. W.C.

† If using accessory filter rack refer to the filter rack installation instructions for correct filter size and quantity.

‡ For 460 volt units, add 14 lb (6.4 kg) to the weight.

Table 2 – Minimum Airflow for Reliable Electric Heater Operation (CFM)

SIZE	604D--A24	604D--A30	604D--A36	604D--A42	604D--A48	604D--A60
AIRFLOW (CFM)	800	1025	1250	1400	1710	1800

CONNECTION WIRING DIAGRAM

DANGER: ELECTRICAL SHOCK HAZARD DISCONNECT POWER BEFORE SERVICING

SCHEMATIC
208/230-1-60

NOTES:

1. IF ANY OF THE ORIGINAL WIRES FURNISHED ARE REPLACED, THEY MUST BE REPLACED WITH THE SAME WIRE OR ITS EQUIVALENT.
2. SEE PRICE PAGES FOR THERMOSTATS.
3. USE 75 DEG. COPPER CONDUCTORS FOR FIELD INSTALLATION.
4. SEE INSTALLATION INSTRUCTIONS FOR PROPER HEATING AND COOLING CONNECTIONS FOR YOUR UNIT. INDOOR FAN MOTOR PLUGS - "DO NOT DISCONNECT UNDER LOAD"
5. CCH NOT USED ON ALL UNITS.
6. THIS FUSE IS MANUFACTURED BY LITTELFUSE, P/N 257003.
7. UNIT FACTORY-SHIPPED IN STD. MODE.

LEGEND

- △ FIELD SPLICE
- TERMINAL (MARKED)
- TERMINAL (UNMARKED)
- SPLICE (IF USED)
- SPLICE (MARKED)
- FACTORY WIRING
- - - FIELD CONTROL WIRING
- · - ACCESSORY OR OPTIONAL WIRING
- TO INDICATE COMMON POTENTIAL ONLY
- - - NOT TO REPRESENT WIRING

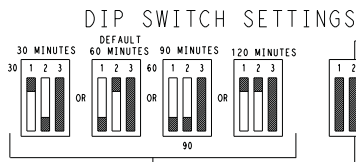
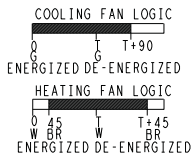
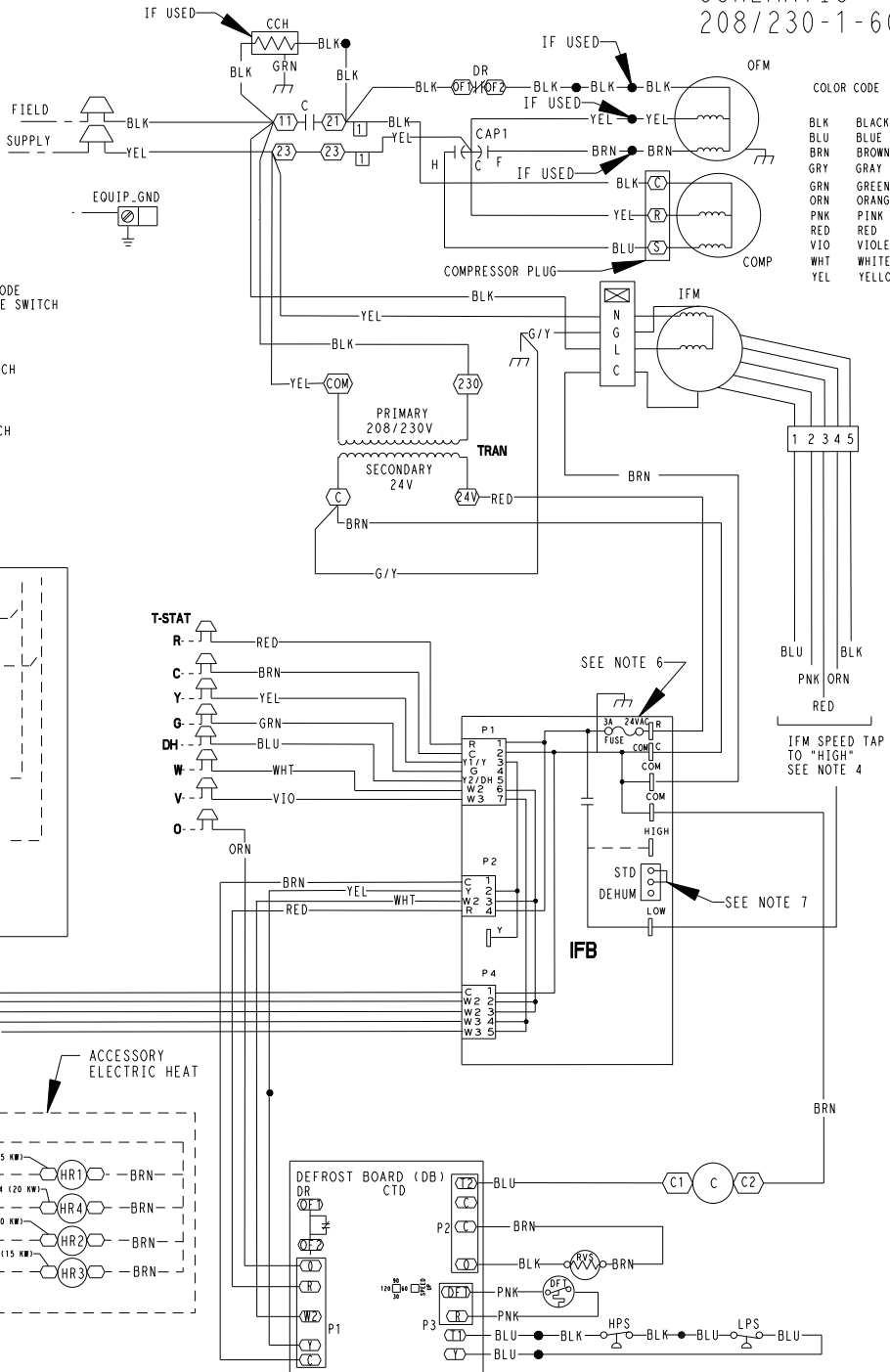
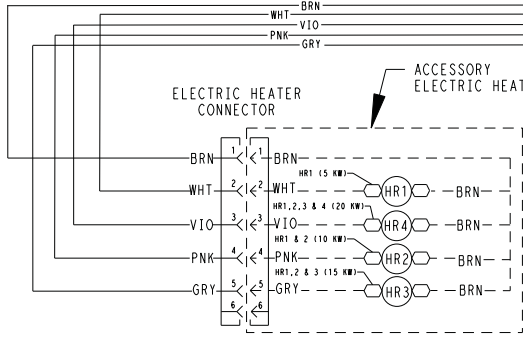
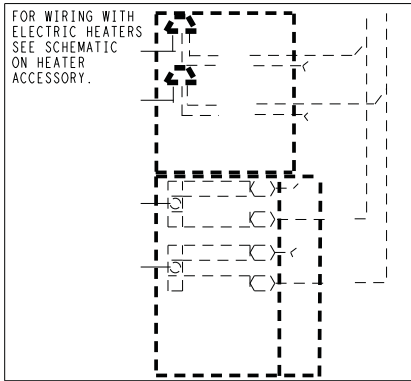
- COMP COMPRESSOR MOTOR
- DB DEFROST BOARD
- DEHUM DEHUMIDIFICATION MODE
- DFT DEFROST TEMPERATURE SWITCH
- DR DEFROST RELAY
- HR HEATER RELAY
- EQUIP EQUIPMENT
- GND GROUND
- HPS HIGH PRESSURE SWITCH
- HR HEATER RELAY
- IFB INDOOR FAN BOARD
- IFM INDOOR FAN MOTOR
- LPS LOW PRESSURE SWITCH
- OFM OUTDOOR FAN MOTOR
- RVS REVERSING VALVE
- STD STANDARD MODE
- TRAN TRANSFORMER
- T-STAT THERMOSTAT

- C CONTACTOR
- CAP 1 CAPACITOR, COMP
- CCH CRANK CASE HEATER

COLOR CODE

BLK	BLACK
BLU	BLUE
BRN	BROWN
GRY	GRAY
GRN	GREEN
ORN	ORANGE
PNK	PINK
RED	RED
VIO	VIOLET
WHT	WHITE
YEL	YELLOW

604D--A



FIELD SELECTABLE OPTIONS FOR TIME PERIOD BETWEEN DEFROST CYCLES (MINUTES)

SPEED UP JUMPED TEST PINS (USE METAL OBJECT) FIELD SPEED-UP CYCLE

- 1) MOMENTARILY SHORT PINS AND RELEASE TO BYPASS COMPRESSOR OFF DELAY.
- 2) SHORT FOR 5+ SEC. AND RELEASE FOR FORCED DEFROST.
- 3) PERMANENT SHORT WILL BE IGNORED.

DEFROST WILL TERMINATE IN 30 SEC. IF DFT OPEN. DEFROST WILL TERMINATE NORMALLY IF DFT IS CLOSED.

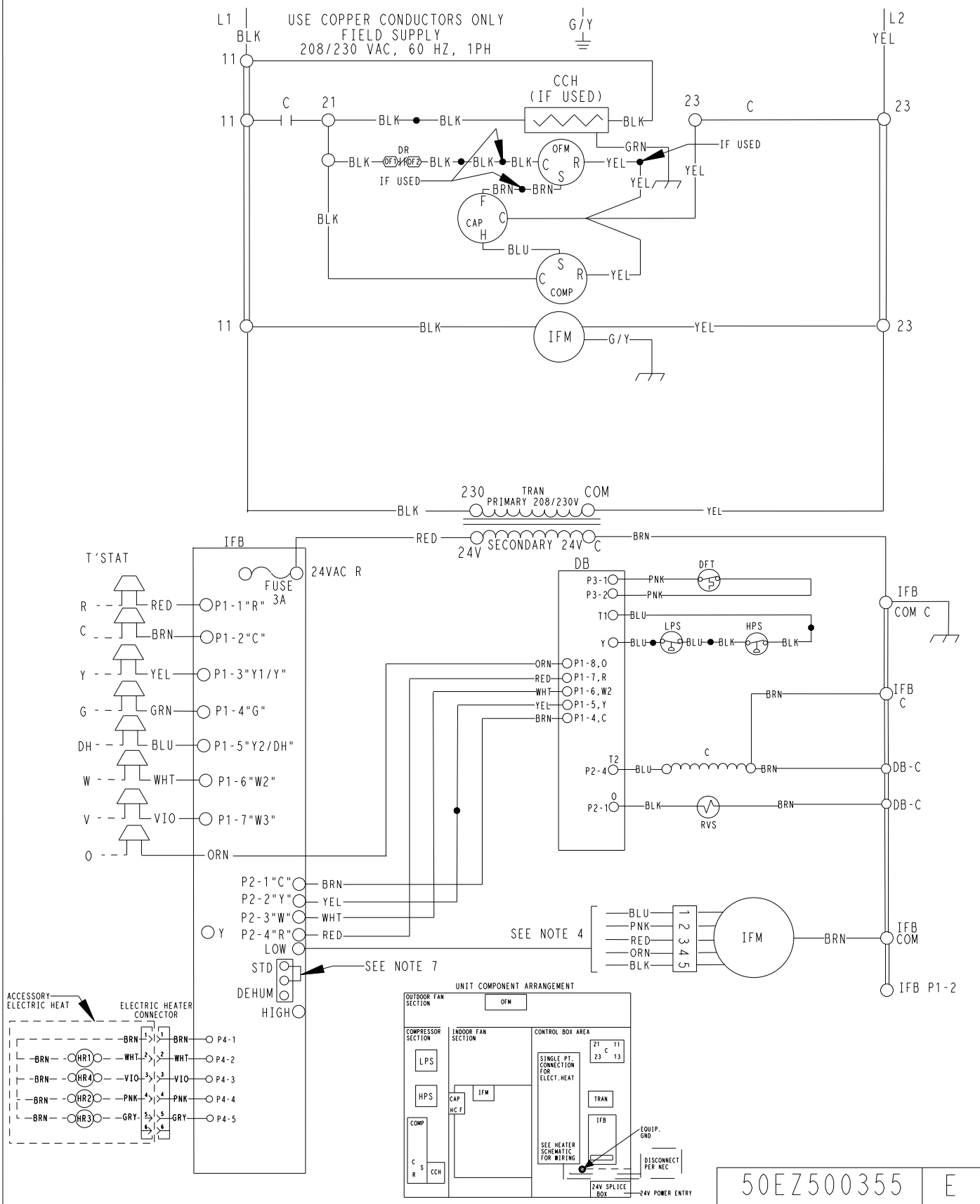
THE COMPRESSOR WILL SHUT OFF FOR 30 SEC. ON DEFROST INITIATION AND TERMINATION IN THE "QUIET SHIFT" ON POSITION

Fig. 11 - Connection Wiring Schematics 208/230-1-60

A11002

LADDER WIRING DIAGRAM

DANGER: ELECTRICAL SHOCK HAZARD DISCONNECT POWER BEFORE SERVICING



604D--A

Fig. 11 Cont. - Ladder Wiring Schematics 208/230-1-60

A11001

CONNECTION WIRING DIAGRAM

DANGER: ELECTRICAL SHOCK HAZARD DISCONNECT POWER BEFORE SERVICING

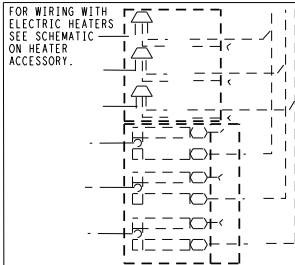
SCHMATIC
208/230-3-60

NOTES:

- IF ANY OF THE ORIGINAL WIRES FURNISHED ARE REPLACED, THEY MUST BE REPLACED WITH THE SAME WIRE OR ITS EQUIVALENT.
- SEE PRICE PAGES FOR THERMOSTATS.
- USE 75 DEG. COPPER CONDUCTORS FOR FIELD INSTALLATION.
- SEE INSTALLATION INSTRUCTIONS FOR PROPER HEATING AND COOLING CONNECTIONS FOR YOUR UNIT. INDOOR FAN MOTOR PLUGS - "DO NOT DISCONNECT UNDER LOAD"
- THIS FUSE IS MANUFACTURED BY LITTELFUSE, P/N 257003.
- REMOVE YELLOW SPLICE WIRE WHEN ECONOMIZER AND ECONOMIZER RELAYS ARE USED AND CONNECT TO RELAY R1 AS SHOWN.
- WHEN ECONOMIZER AND ECONOMIZER RELAYS ARE USED, CONNECT THE YELLOW AND BLACK WIRES TO RELAY R AS SHOWN. RELAY KIT REQUIRED WITH ECONOMIZER AND HEAT PUMP/DUAL FUEL UNITS.
- WHEN ECONOMIZER AND ECONOMIZER RELAYS ARE USED, INSTALL WIRES AS SHOWN ONTO THE COILS OF RELAY R AND RELAY R1.
- DEHUM FEATURE CANNOT BE USED WHEN ECONOMIZER IS INSTALLED. UNIT FACTORY-SHIPPED IN STD MODE.

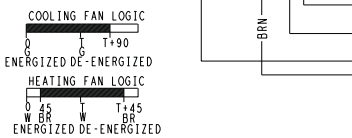
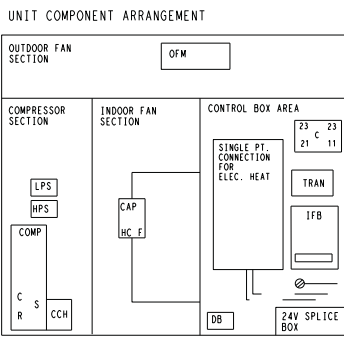
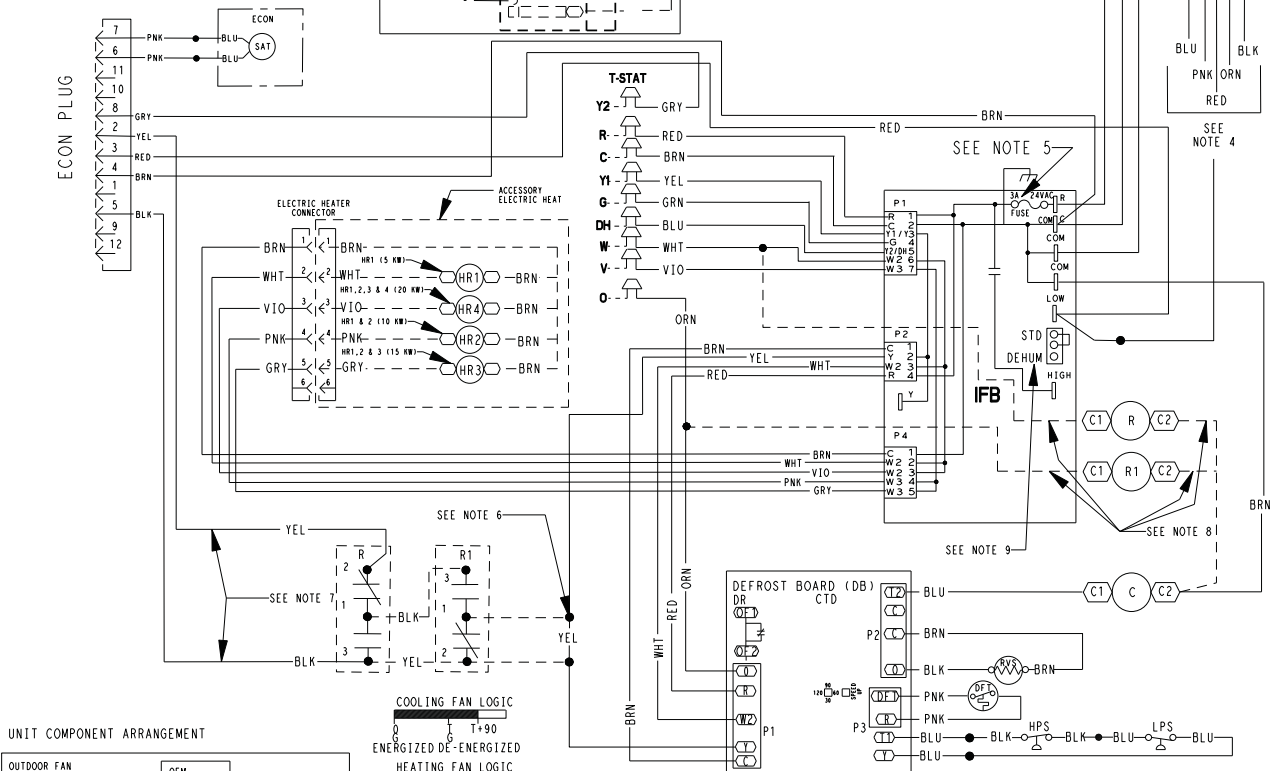
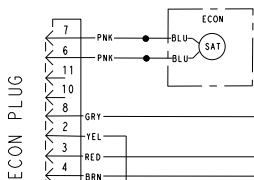
LEGEND

- | | | | |
|-------|------------------------------|------------|----------------------|
| △ | FIELD SPLICE | GND | GROUND |
| ○ | TERMINAL (MARKED) | HPS | HIGH PRESSURE SWITCH |
| ○ | TERMINAL (UNMARKED) | HR | HEATER RELAY |
| ● | SPLICE (IF USED) | IFB | INDOOR FAN BOARD |
| ○ | SPLICE (MARKED) | IFM | INDOOR FAN MOTOR |
| --- | FACTORY WIRING | LPS | LOW PRESSURE SWITCH |
| --- | FIELD CONTROL WIRING | OFM | OUTDOOR FAN MOTOR |
| --- | FIELD POWER WIRING | RVS | REVERSING VALVE |
| --- | ACCESSORY OR OPTIONAL WIRING | TRAN | TRANSFORMER |
| C | CONTACTOR | T-STAT | THERMOSTAT |
| CAP 1 | CAPACITOR, COMP | ECON RELAY | ECON RELAY |
| CCH | CRANK CASE HEATER | R1 | ECON RELAY |
| COMP | COMPRESSOR MOTOR | STD | STANDARD MODE |
| DB | DEFROST BOARD | | |
| DH | DEHUMIDIFICATION MODE | | |
| DEHUM | DEHUMIDIFICATION MODE | | |
| DFT | DEFROST TEMPERATURE SWITCH | | |
| DR | DEFROST RELAY | | |
| ECON | ECONOMIZER | | |
| EQUIP | EQUIPMENT | | |

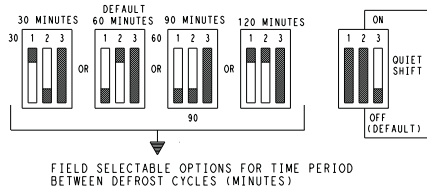


COLOR CODE

BLK	BLACK
BLU	BLUE
BRN	BROWN
GRY	GRAY
GRN	GREEN
ORN	ORANGE
PNK	PINK
RED	RED
VIO	VIOLET
WHT	WHITE
YEL	YELLOW



DIP SWITCH SETTINGS



SPEED UP JUMPERED TEST PINS (USE METAL OBJECT) FIELD SPEED-UP CYCLE

- MOMENTARILY SHORT PINS AND RELEASE TO BYPASS COMPRESSOR OFF DELAY.
 - SHORT FOR 5+ SEC. AND RELEASE FOR FORCED DEFROST.
 - PERMANENT SHORT WILL BE IGNORED.
- DEFROST WILL TERMINATE IN 30 SEC. IF DFT OPEN. DEFROST WILL TERMINATE NORMALLY IF DFT IS CLOSED.
- THE COMPRESSOR WILL SHUT OFF FOR 30 SEC. ON DEFROST INITIATION AND TERMINATION IN THE "QUIET SHIFT" ON POSITION

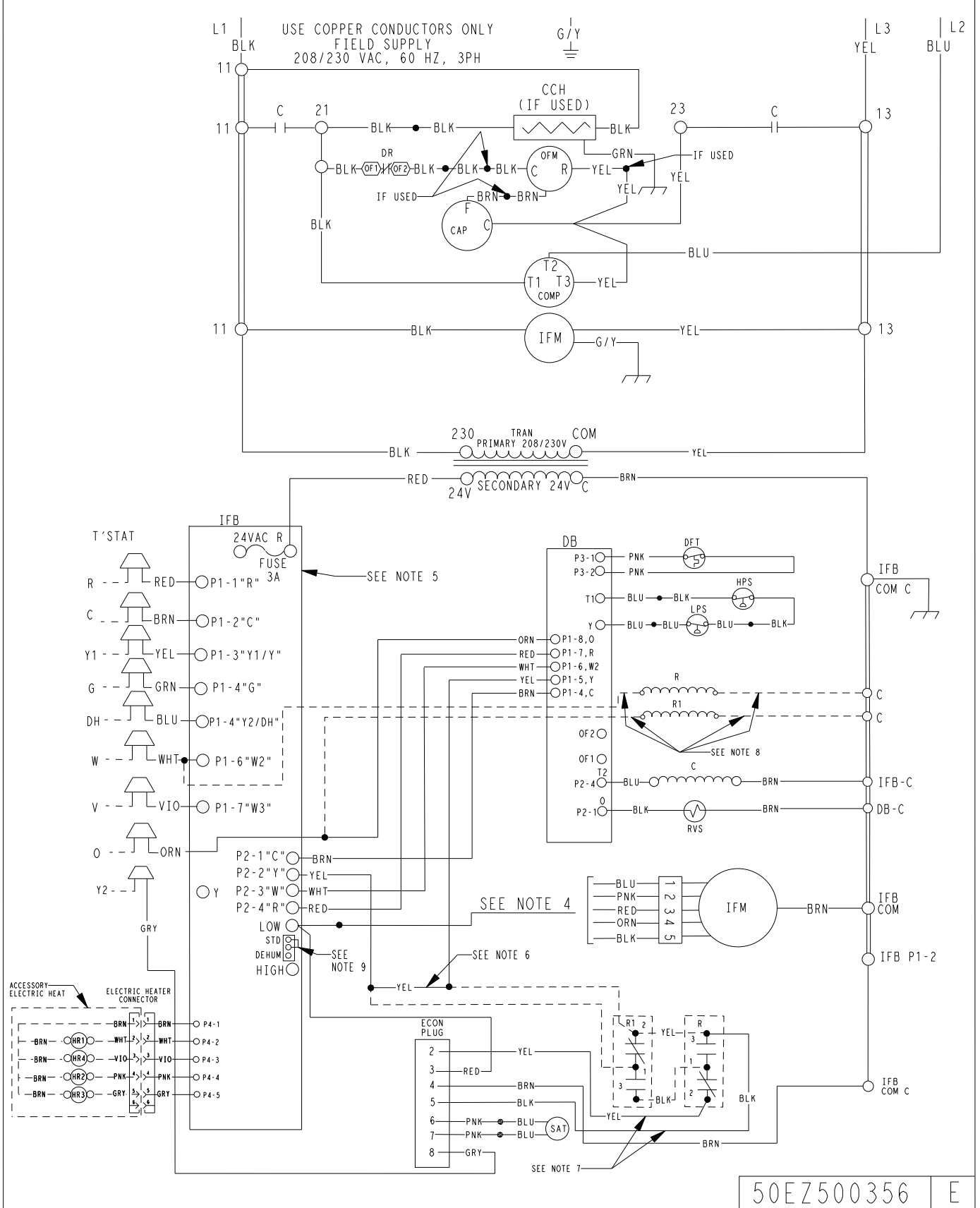
Fig. 12 - Connection Wiring Schematics - 208/230-3-60

A11006

604D--A

LADDER WIRING DIAGRAM

DANGER: ELECTRICAL SHOCK HAZARD DISCONNECT POWER BEFORE SERVICING



604D--A

Fig. 12 Cont. - Ladder Wiring Schematics - 208/230-3-60

A11005

CONNECTION WIRING DIAGRAM

DANGER: ELECTRICAL SHOCK HAZARD DISCONNECT POWER BEFORE SERVICING

SCHEMATIC
460-3-60

NOTES:

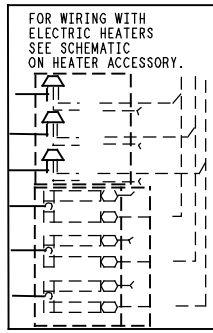
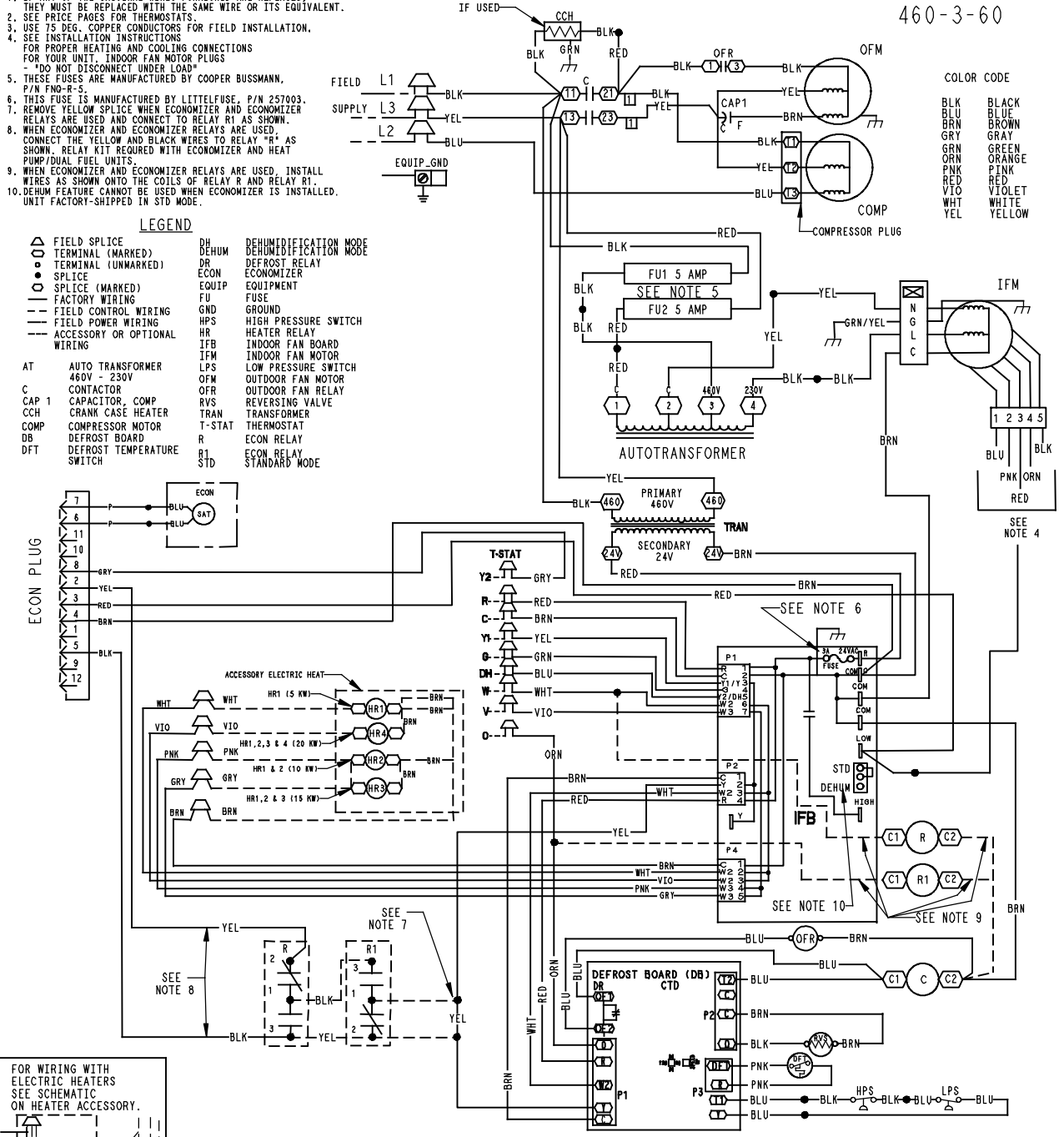
1. IF ANY OF THE ORIGINAL WIRES FURNISHED ARE REPLACED, THEY MUST BE REPLACED WITH THE SAME WIRE OR ITS EQUIVALENT.
2. SEE PRICE PAGES FOR THERMOSTATS.
3. USE 75 DEG. COPPER CONDUCTORS FOR FIELD INSTALLATION.
4. SEE INSTALLATION INSTRUCTIONS FOR PROPER HEATING AND COOLING CONNECTIONS FOR YOUR UNIT. INDOOR FAN MOTOR PLUGS - "DO NOT DISCONNECT UNDER LOAD"
5. THESE FUSES ARE MANUFACTURED BY COOPER BUSSMANN, P/N FMO-R-5.
6. THIS FUSE IS MANUFACTURED BY LITTELFUSE, P/N 257003.
7. REMOVE YELLOW SPLICE WHEN ECONOMIZER AND ECONOMIZER RELAYS ARE USED AND CONNECT TO RELAY R1 AS SHOWN.
8. WHEN ECONOMIZER AND ECONOMIZER RELAYS ARE USED, CONNECT THE YELLOW AND BLACK WIRES TO RELAY "R" AS SHOWN. RELAY KIT REQUIRED WITH ECONOMIZER AND HEAT PUMP/DUAL FUEL UNITS.
9. WHEN ECONOMIZER AND ECONOMIZER RELAYS ARE USED, INSTALL WIRES AS SHOWN ONTO THE COILS OF RELAY R AND RELAY R1. DEHUM FEATURE CANNOT BE USED WHEN ECONOMIZER IS INSTALLED. UNIT FACTORY-SHIPPIED IN STD. MODE.

LEGEND

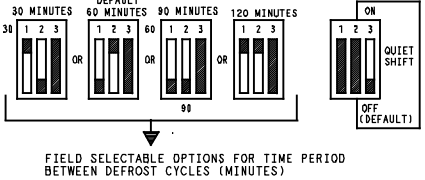
<p>△ FIELD SPLICE ○ TERMINAL (MARKED) ○ TERMINAL (UNMARKED) ● SPLICE (MARKED) --- FACTORY WIRING - - - FIELD CONTROL WIRING - - - FIELD POWER WIRING - - - ACCESSORY OR OPTIONAL WIRING</p> <p>AT AUTO TRANSFORMER C CONTACTOR CAP 1 CAPACITOR, COMP CCH CRANK CASE HEATER COMP COMPRESSOR MOTOR DB DEFROST BOARD DFT DEFROST TEMPERATURE SWITCH</p>	<p>DH DEHUMIDIFICATION MODE DR DEFROST RELAY ECON ECONOMIZER EQUIP EQUIPMENT FU FUSE GND GROUND HPS HIGH PRESSURE SWITCH HR HEATER RELAY IFB INDOOR FAN BOARD IFM INDOOR FAN MOTOR LPS LOW PRESSURE SWITCH OFM OUTDOOR FAN MOTOR OFR OUTDOOR FAN RELAY RVS REVERSING VALVE TRAN TRANSFORMER T-STAT THERMOSTAT R ECONOM RELAY R1 ECONOM RELAY STANDARD MODE</p>
--	--

COLOR CODE

BLK	BLACK
BLU	BLUE
BRN	BROWN
GRY	GRAY
GRN	GREEN
ORN	ORANGE
PNK	PINK
RED	RED
VIO	VIOLET
WHT	WHITE
YEL	YELLOW



DIP SWITCH SETTINGS



SPEED UP JUMPERED TEST PINS (USE METAL OBJECT) FIELD SPEED-UP CYCLE

- 1) MOMENTARILY SHORT PINS AND RELEASE TO BYPASS COMPRESSOR OFF DELAY.
 - 2) SHORT FOR 5+ SEC. AND RELEASE FOR FORCED DEFROST.
 - 3) PERMANENT SHORT WILL BE IGNORED.
- DEFROST WILL TERMINATE IN 30 SEC. IF DFT OPEN. DEFROST WILL TERMINATE NORMALLY IF DFT IS CLOSED.
- THE COMPRESSOR WILL SHUT OFF FOR 30 SEC. ON DEFROST INITIATION AND TERMINATION IN THE "QUIET SHIFT" ON POSITION

604D--A

Fig. 13 - Connection Wiring Diagram 460-3-60

A10195

**WARNING****FIRE, EXPLOSION, ELECTRICAL SHOCK HAZARD**

Failure to follow this warning could result in personal injury, death or property damage.

1. Follow recognized safety practices and wear protective goggles when checking or servicing refrigerant system.
2. Relieve and recover all refrigerant from system before touching or disturbing compressor plug if refrigerant leak is suspected around compressor terminals.
3. Do not remove compressor plug until all electrical sources are disconnected and tagged.
4. Never attempt to repair soldered connection while refrigerant system is under pressure.
5. Do not use torch to remove any component. System contains oil and refrigerant under pressure. To remove a component, wear protective goggles and proceed as follows:
 - a. Shut off electrical power to unit and install lockout tag.
 - b. Relieve and reclaim all refrigerant from system using both high- and low-pressure ports.
 - c. Cut component connecting tubing with tubing cutter and remove component from unit.
 - d. Carefully unsweat remaining tubing stubs when necessary. Oil can ignite when exposed to torch flame.

Use the Start-Up Checklist supplied at the end of this book and proceed as follows to inspect and prepare the unit for initial start-up:

1. Remove all access panels (see Fig. 20).
2. Read and follow instructions on all DANGER, WARNING, CAUTION, and INFORMATION labels attached to, or shipped with, unit.
3. Make the following inspections:
 - a. Inspect for shipping and handling damages such as broken lines, loose parts, disconnected wires, etc.
 - b. Inspect for oil at all refrigerant tubing connections and on unit base. Detecting oil generally indicates a refrigerant leak. Leak-test all refrigerant tubing connections using electronic leak detector, or liquid-soap solution. If a refrigerant leak is detected, see following Check for Refrigerant Leaks section.
 - c. Inspect all field and factory-wiring connections. Be sure that connections are completed and tight. Ensure wires do not touch refrigerant tubing or sharp sheet metal edges.
 - d. Inspect coil fins. If damaged during shipping and handling, carefully straighten fins with a fin comb.
4. Verify the following conditions:
 - a. Make sure that outdoor-fan blade is correctly positioned in fan orifice.
 - b. Make sure that air filter(s) is in place.
 - c. Make sure that condensate drain pan and trap are filled with water to ensure proper drainage.
 - d. Make sure that all tools and miscellaneous loose parts have been removed.
5. Each unit system has 2 Schrader-type ports, one low-side Schrader fitting located on the suction line, and one high-side Schrader fitting located on the compressor discharge line. Be sure that caps on the ports are tight.

Checking Cooling and Heating Control Operation

Start and check the unit for proper control operation as follows:

- (1.) Place room thermostat SYSTEM switch or MODE control in OFF position. Observe that blower motor starts when FAN mode is placed in FAN ON position and shuts down when FAN MODE switch is placed in AUTO position.
- (2.) Thermostat:
When the room temperature rises to a point that is slightly above the cooling control setting of the thermostat, the thermostat completes the circuit between thermostat terminal R to terminals Y, O and G. These completed circuits through the thermostat connect contactor coil (C) (through unit wire Y) and Indoor Fan board (through unit wire G) across the 24-v. secondary of transformer (TRAN).
- (3.) Place system switch or MODE control in HEAT position. Set control above room temperature. Observe that compressor, outdoor fan, and indoor blower motors start. Observe that heating cycle shuts down when control setting is satisfied.
- (4.) When using an automatic changeover room thermostat place both SYSTEM or MODE control and FAN mode switches in AUTO positions. Observe that unit operates in Cooling mode when temperature control is set to "call for Cooling" (below room temperature), and unit operates in Heating mode when temperature control is set to "call for Heating" (above room temperature).

NOTE: Once the compressor has started and then has stopped, it should not be started again until 5 minutes have elapsed. The defrost board has a built-in 5 minute delay between cycles. The 5 minute compressor delay also applies to heat pump heating mode.

Step 1 — Check for Refrigerant Leaks

Proceed as follows to locate and repair a refrigerant leak and to charge the unit:

1. Locate leak and make sure that refrigerant system pressure has been relieved and reclaimed from both high- and low-pressure ports.
2. Repair leak following Refrigerant Service procedures.

NOTE: Install a bi-flow filter drier whenever the system has been opened for repair.

3. Add a small charge of R-410A refrigerant vapor to system and leak-test unit.
4. Recover refrigerant from refrigerant system and evacuate to 500 microns if no additional leaks are not found.
5. Charge unit with Puron (R-410A) refrigerant, using an electronic scale. Refer to unit rating plate for required charge.

Step 2 — Start-Up Adjustments

Complete the required procedures given in the Pre-Start-Up section before starting the unit. Do not jumper any safety devices when operating the unit. Do not operate the unit in Cooling mode when the outdoor temperature is below 40°F (4°C) (unless accessory low-ambient kit is installed).

IMPORTANT: Three-phase, scroll compressors are direction oriented. Unit must be checked to ensure proper compressor 3-phase power lead orientation. If not corrected within 5 minutes, the internal protector will shut off the compressor. The 3-phase power leads to the unit must be reversed to correct rotation. When turning backwards, the difference between compressor suction and discharge pressures may be near zero.

604D--A Sequence of Operation

a. CONTINUOUS FAN

- (1.) Thermostat closes circuit R to G energizing the blower motor for continuous fan.

b. COOLING MODE

- (1.) If indoor temperature is above temperature set point, thermostat closes circuits R to G, R to Y and R to O-The unit delivers cooling airflow.

c. ELECTRIC HEATING MODE

- (1.) Thermostat closes circuit R to W/W1, or W2 and R to G. There are no on or off delays.

d. HEAT PUMP HEATING MODE

- (1.) Thermostat closes circuits R to G and R to Y. The compressor, indoor and outdoor fans are energized.

e. HEAT PUMP HEATING WITH AUXILIARY ELECTRIC HEAT

- (1.) Thermostat closes circuits R to G, R to Y and R to W/W1 or W2. The compressor, indoor and outdoor fans are energized, as well as the electric heat relays.

f. DEFROST MODE

The defrost mode is automatically energized by the defrost board during heating mode. The defrost board energizes “O” (reversing valve) and “W2” (electric heat). It also de-energizes the outdoor fan. When defrost is complete, unit will return to heating mode. If room thermostat is satisfied during defrost, unit will shut down and restart in defrost on next call for heat.

Checking and Adjusting Refrigerant Charge

The refrigerant system is fully charged with Puron (R-410A) refrigerant and is tested and factory sealed.

NOTE: Adjustment of the refrigerant charge is not required unless the unit is suspected of not having the proper Puron (R-410A) charge.

A subcooling charging chart is attached to the inside of the compressor access panel (see Fig. 20). The chart includes the required liquid line temperature at given discharge line pressures and outdoor ambient temperatures.

An accurate thermocouple- or thermistor-type thermometer, and a gauge manifold are required when using the subcooling charging method for evaluating the unit charge. Do not use mercury or small dial-type thermometers because they are not adequate for this type of measurement.

NOTE: Allow system to operate for a minimum of 15 minutes before checking or adjusting refrigerant charge.

IMPORTANT: When evaluating the refrigerant charge, an indicated adjustment to the specified factory charge must always be very minimal. If a substantial adjustment is indicated, an abnormal condition exists somewhere in the cooling system, such as insufficient airflow across either coil or both coils.

Proceed as follows:

1. Remove caps from low- and high-pressure service fittings.
2. Using hoses with valve core depressors, attach low- and high-pressure gauge hoses to low- and high-pressure service fittings, respectively.
3. Start unit and let run until system pressures stabilize.
4. Measure and record the following:
 - a. Outdoor ambient-air temperature (°F [°C] db).
 - b. Liquid line temperature (°F [°C]) at TXV.
 - c. Discharge (high-side) pressure (psig).
 - d. Suction (low-side) pressure (psig) (for reference only).
5. Using Cooling Charging Charts compare outdoor-air temperature (°F [°C] db) with the discharge line pressure

(psig) to determine desired system operating liquid line temperature (See Fig. 17).

6. Compare actual liquid line temperature with desired liquid line temperature. Using a tolerance of $\pm 2^{\circ}\text{F}$ ($\pm 1.1^{\circ}\text{C}$), add refrigerant if actual temperature is more than 2°F (1.1°C) higher than proper liquid line temperature, or remove refrigerant if actual temperature is more than 2°F (1.1°C) lower than required liquid line temperature.

NOTE: If the problem causing the inaccurate readings is a refrigerant leak, refer to Check for Refrigerant Leaks section.

Indoor Airflow and Airflow Adjustments

⚠ CAUTION

UNIT OPERATION HAZARD

Failure to follow this caution may result in unit damage.

For cooling operation, the recommended airflow is 350 to 450 cfm for each 12,000 Btuh of rated cooling capacity. For heating operation, the airflow must produce a temperature rise that falls within the range stamped on the unit rating plate.

NOTE: Be sure that all supply-and return-air grilles are open, free from obstructions, and adjusted properly.

⚠ WARNING

ELECTRICAL SHOCK HAZARD

Failure to follow this warning could result in personal injury or death.

Disconnect electrical power to the unit and install lockout tag before changing blower speed.

This unit has independent fan speeds for gas heating and cooling. In addition, this unit has the field-selectable capability to run two different cooling fan speeds: A normal cooling fan speed (350~400 CFM/Ton) and an enhanced dehumidification fan speed (As low as 320 CFM/Ton) for use with either a dehumidistat or a thermostat that supports dehumidification.

The cooling speed is marked “LOW” on the interface fan board (IFB) (See Fig. 15) . The factory-shipped settings are noted in Table 4. There are 4 additional speed tap wires available for use in either electric heating or cooling (For color coding on the indoor fan motor leads, see Table 3). The additional 4 speed tap wires are shipped loose with vinyl caps and are located in the control box, near the interface fan board (IFB) (See Fig. 15).

Single Cooling Fan Speed Set-up (Dehumidification feature not used)

To change cooling speed:

1. Remove the vinyl cap off of the desired speed tap wire (Refer to Table 3 for color coding). Add the wet coil pressure drop in Table 6 to the system static to determine the correct cooling airflow speed in Table 4 that will deliver the nominal cooling airflow as listed in Table 1 for each size.
2. Remove the current speed tap wire from the “LOW” terminal on the interface fan board (IFB) (See Fig. 15) and place vinyl cap over the connector on the wire.
3. Connect the desired speed tap wire to the “LOW” terminal on the interface fan board (IFB).

NOTE: If accessory electric heat is installed, and the electric heat fan speed is chosen to be the same as the normal cooling fan speed, the dry airflow must meet or exceed the minimum airflow speed specified in Table 2 for the specific size unit.

Two Cooling Fan Speeds Set-up (Dehumidification feature used)

IMPORTANT: Dehumidification control must open control circuit on humidity rise above set point.

Use of the dehumidification cooling fan speed requires use of either a 24 VAC dehumidistat or a thermostat which includes control of a 24 VAC dehumidistat connection. In either case, the dehumidification control must open the control circuit on humidity rise above the dehumidification set point.

1. Using Fig. 15, move the two pin DEHUM jumper from the “STD” position to the “DEHUM” position.
2. Remove fan speed tap wire from the “LOW” terminal on the interface fan board (IFB) (See Fig. 15).
3. Determine correct normal cooling fan speed for unit and application. Add the wet coil pressure drop in Table 6 to the system static to determine the correct cooling airflow speed in Table 4 that will deliver the nominal cooling airflow as listed in Table 1 for each size.

NOTE: If accessory electric heat is installed, the dry airflow must meet or exceed the minimum airflow speed specified in Table 2 for the specific size unit. The electric heat fan speed will be the same as the normal cooling fan speed.

4. Remove the vinyl cap off of the desired speed tap wire (Refer to Table 3 for color coding) for the normal cooling fan speed and place desired speed tap wire on “HIGH” on the interface board.
5. Refer to airflow tables (Table 4) to determine allowable speeds for the dehumidification cooling fan speed. In Table 4, speeds that are not allowed for dehumidification cooling are shaded.
6. Remove the vinyl cap off of the desired speed tap wire (Refer to Table 3 for color coding) for the dehumidification cooling fan speed and place desired speed tap wire on the “LOW” connection on the interface board (IFB). Verify that static pressure is in the acceptable range for the speed tap to be used for dehumidification cooling.
7. Use any spare vinyl plugs to cap any unused speed tap wires.

Table 3 – Color Coding for Indoor Fan Motor Leads

Black = High Speed
Orange = Med-High Speed
Red = Med Speed
Pink = Med-Low Speed
Blue = Low Speed

Single Speed Cooling With Higher Electric Heat Speed

This unit can also be configured to operate with single speed cooling and a higher speed for an accessory electric heater.

1. Using Fig. 15, move the two pin DEHUM jumper from the “STD” position to the “DEHUM” position.
2. See Table 2 for minimum airflow for electric heat operation. Add electric heater and filter pressure drop to duct system static pressure to determine total external static pressure.
3. Select speed tap from Table 4 that will achieve required airflow from Table 2.
4. Remove the vinyl cap off of the desired speed tap wire (Refer to Table 3 for color coding).
5. Connect the desired speed tap wire to the “HIGH” terminal on the interface fan board (IFB).

CAUTION

UNIT OPERATION HAZARD

Failure to follow this caution may result in unit component damage or improper operation.

To use this mode, a speed connection must be made on the “HIGH” terminal that meets or exceeds the minimum airflow found in Table 2.

WARNING

ELECTRICAL SHOCK HAZARD

Failure to follow this warning could result in personal injury or death.

Disconnect electrical power to the unit and install lockout tag before changing blower speed.

Continuous Fan Operation

When the DEHUM feature is not used, the continuous fan speed will be the same as cooling fan speed. When the DEHUM feature is used, the continuous fan will operate on IFB “LOW” speed when the DH control lead is not energized, or IFB “HIGH” speed when the DH lead is energized (see Fig. 15).

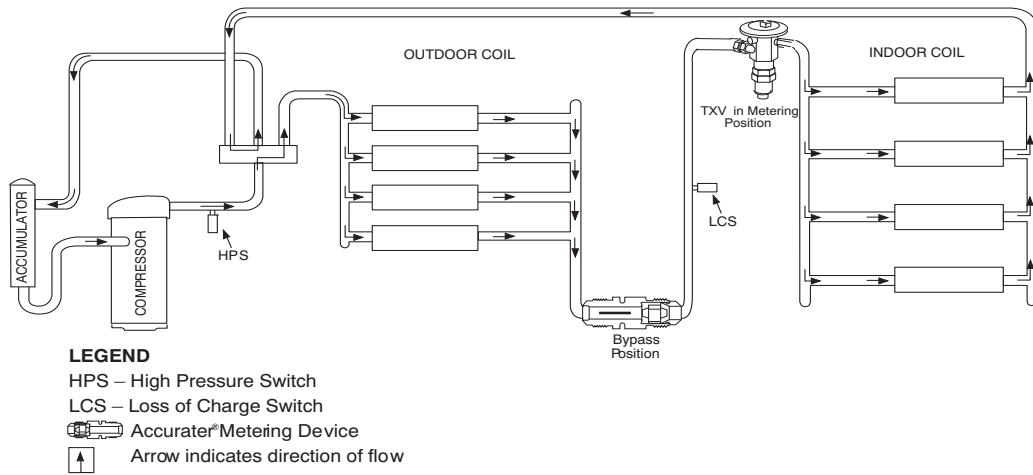


Fig. 14 - Typical Heat Pump Operation, Cooling Mode

C03011

604D -- A

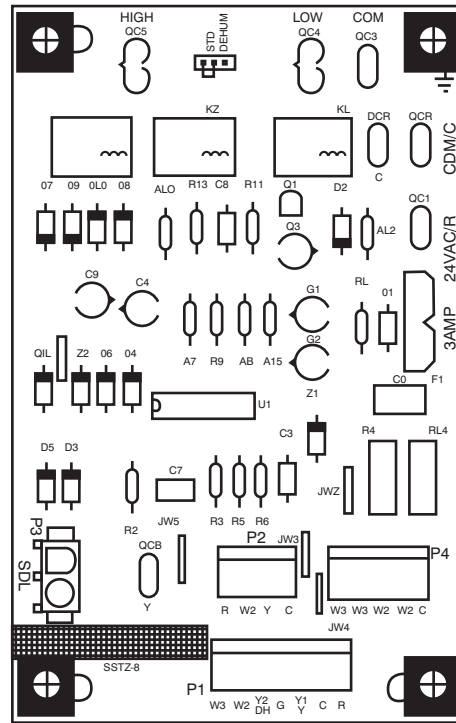


Fig. 15 - Interface Fan Board (IFB)

A09059

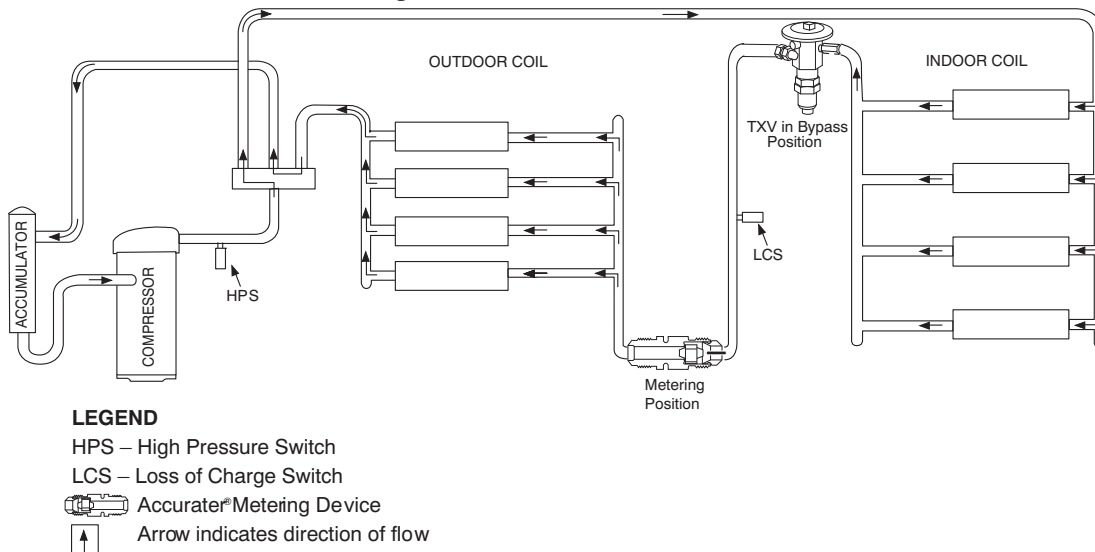


Fig. 16 - Typical Heat Pump Operation, Heating Mode

C03012

Step 3 — Defrost Control

Quiet Shift

Quiet Shift is a field-selectable defrost mode, which will eliminate occasional noise that could be heard at the start of defrost cycle and restarting of heating cycle. It is selected by placing DIP switch 3 (on defrost board) in ON position.

When Quiet Shift switch is placed in ON position, and a defrost is initiated, the following sequence of operation will occur. Reversing valve will energize, outdoor fan will turn off, compressor will turn off for 30 sec and then turn back on to complete defrost. At the start of heating after conclusion of defrost reversing valve will de-energize, compressor will turn off for another 30 sec, and the outdoor fan will stay off for 40 sec, before starting in the Heating mode.

Defrost

The defrost control is a time/temperature control which includes a field-selectable time period (DIP switch 1 and 2 on the board) between defrost cycles of 30, 60, 90, or 120 minutes (factory set at 60 minutes). To initiate a forced defrost, two options are available depending on the status of the defrost thermostat.

If defrost thermostat is closed, speed-up pins (J1) must be shorted by placing a flat head screw driver in between for 5 sec and releasing, to observe a complete defrost cycle. When the Quiet Shift switch is selected, compressor will be turned off for two 30 sec intervals during this complete defrost cycle, as explained previously. When Quiet Shift switch is in factory default OFF position, a normal and complete defrost cycle will be observed.

If defrost thermostat is in open position, and speedup pins are shorted (with a flat head screw driver) for 5 sec and released, a short defrost cycle will be observed (actual length is dependent upon the selected Quiet Shift position). When Quiet Shift switch is in ON position, the length of defrost is 1 minute (30 sec compressor off period followed by 30 sec of defrost with compressor operation). On return to heating operation, compressor will again turn off for an additional 30 sec and the outdoor fan for 40 sec. When the Quiet Shift is in OFF position, only a brief 30 sec. cycle will be observed.

NOTE: Unit will remain in defrost until defrost thermostat reopens at approximately 65°F (18°C) coil temperature at liquid line or remainder of defrost cycle time.

MAINTENANCE

To ensure continuing high performance, and to minimize the possibility of premature equipment failure, periodic maintenance must be performed on this equipment. This heat pump unit should be inspected at least once each year by a qualified service person. To troubleshoot unit, refer to Table 10.

NOTE: TO EQUIPMENT OWNER: Consult your local dealer about the availability of a maintenance contract.

⚠ WARNING

PERSONAL INJURY AND UNIT DAMAGE HAZARD

Failure to follow this warning could result in personal injury or death and unit component damage.

The ability to properly perform maintenance on this equipment requires certain expertise, mechanical skills, tools and equipment. If you do not possess these, do not attempt to perform any maintenance on this equipment, other than those procedures recommended in the Owner's Manual.

⚠ WARNING

ELECTRICAL SHOCK HAZARD

Failure to follow these warnings could result in personal injury or death:

1. Turn off electrical power to the unit and install a lockout tag before performing any maintenance or service on this unit.
2. Use extreme caution when removing panels and parts.
3. Never place anything combustible either on or in contact with the unit.

⚠ CAUTION

CUT HAZARD

Failure to follow this caution may result in personal injury.

When removing access panels (see Fig. 20) or performing maintenance functions inside your unit, be aware of sharp sheet metal parts and screws. Although special care is taken to reduce sharp edges to a minimum, be extremely careful when handling parts or reaching into the unit.

⚠ CAUTION

UNIT OPERATION HAZARD

Failure to follow this caution may result in improper operation.

Errors made when reconnecting wires may cause improper and dangerous operation. Label all wires prior to disconnecting when servicing.

The minimum maintenance requirements for this equipment are as follows:

1. Inspect air filter(s) each month. Clean or replace when necessary.
2. Inspect indoor coil, drain pan, and condensate drain each cooling season for cleanliness. Clean when necessary.
3. Inspect blower motor and wheel for cleanliness each cooling season. Clean when necessary.
4. Check electrical connections for tightness and controls for proper operation each cooling season. Service when necessary.

Step 1 — Air Filter

IMPORTANT: Never operate the unit without a suitable air filter in the return-air duct system. Always replace the filter with the same dimensional size and type as originally installed. See Table 1 for recommended filter sizes.

Inspect air filter(s) at least once each month and replace (throwaway-type) or clean (cleanable-type) at least twice during each cooling season and twice during the heating season, or whenever the filter becomes clogged with dust and lint.

Indoor Blower and Motor

NOTE: All motors are pre-lubricated. Do not attempt to lubricate these motors.

NOTE: 460 volt units have a stepdown autotransformer that supplies approximately 230 volts to a nominal 230 volt indoor blower motor.

For longer life, operating economy, and continuing efficiency, clean accumulated dirt and grease from the blower wheel and motor annually.



WARNING

ELECTRICAL SHOCK HAZARD

Failure to follow this warning could result in personal injury or death.

Disconnect and install lockout tag on electrical power to the unit before cleaning and lubricating the blower motor and wheel.

To clean the blower motor and wheel:

1. Remove and disassemble blower assembly as follows:
 - a. Remove blower access panel (see Fig. 20).
 - b. Disconnect 5 pin plug and 4 pin plug from indoor blower motor. Remove capacitor if required.
 - c. On all units remove blower assembly from unit. Remove screws securing blower to blower partition and slide assembly out. Be careful not to tear insulation in blower compartment.
 - d. Ensure proper reassembly by marking blower wheel and motor in relation to blower housing before disassembly.
 - e. Loosen setscrew(s) that secures wheel to motor shaft, remove screws that secure motor mount brackets to housing, and slide motor and motor mount out of housing.
2. Remove and clean blower wheel as follows:
 - a. Ensure proper reassembly by marking wheel orientation.
 - b. Lift wheel from housing. When handling and/or cleaning blower wheel, be sure not to disturb balance weights (clips) on blower wheel vanes.
 - c. Remove caked-on dirt from wheel and housing with a brush. Remove lint and/or dirt accumulations from wheel and housing with vacuum cleaner, using soft brush attachment. Remove grease and oil with mild solvent.
 - d. Reassemble wheel into housing.
 - e. Reassemble motor into housing. Be sure setscrews are tightened on motor shaft flats and not on round part of shaft. Reinstall blower into unit. Reinstall capacitor if required.
 - f. Connect 5 pin plug and 4 pin plug to indoor blower motor.
 - g. Reinstall blower access panel (see Fig. 20).
3. Restore electrical power to unit. Start unit and check for proper blower rotation and motor speeds during cooling cycles.

Step 2 — Outdoor Coil, Indoor Coil, and Condensate Drain Pan

Inspect the condenser coil, evaporator coil, and condensate drain pan at least once each year.

The coils are easily cleaned when dry; therefore, inspect and clean the coils either before or after each cooling season. Remove all obstructions, including weeds and shrubs, that interfere with the airflow through the condenser coil.

Straighten bent fins with a fin comb. If coated with dirt or lint, clean the coils with a vacuum cleaner, using the soft brush attachment. Be careful not to bend the fins. If coated with oil or grease, clean the coils with a mild detergent-and-water solution. Rinse coils with clear water, using a garden hose. Be careful not to splash water on motors, insulation, wiring, or air filter(s). For best results, spray condenser coil fins from inside to outside the unit. On units with an outer and inner condenser coil, be sure to clean between the coils. Be sure to flush all dirt and debris from the unit base.

Inspect the drain pan and condensate drain line when inspecting the coils. Clean the drain pan and condensate drain by removing all foreign matter from the pan. Flush the pan and drain trough with clear water. Do not splash water on the insulation, motor, wiring, or air filter(s). If the drain trough is restricted, clear it with a plumber's snake or similar probe device.

Step 3 — Outdoor Fan

Keep the condenser fan free from all obstructions to ensure proper cooling operation. Never place articles on top of the unit. Damage to unit may result.

1. Remove 6 screws holding outdoor grille and motor to top cover.
2. Turn motor/grille assembly upside down on top cover to expose fan blade.
3. Inspect the fan blades for cracks or bends.
4. If fan needs to be removed, loosen setscrew and slide fan off motor shaft.
5. When replacing fan blade, position blade back to same position as before.
6. Ensure that setscrew engages the flat area on the motor shaft when tightening.
7. Replace grille.

Table 4 – Dry Coil Air Delivery* - Horizontal Discharge - Unit 604D--A24-60 Series A

UNIT	MOTOR SPEED	WIRE COLOR	EXTERNAL STATIC PRESSURE (IN. W.C.)												
			0.1	0.2	0.3	0.4	0.5	0.6	0.7	0.8	0.9				
604D --A24	Low	Blue	754	650	538	429	---	---	---	---	---	---	---	---	---
	Med-Low	Pink	851	777	675	591	475	---	---	---	---	---	---	---	---
	Medium ¹	Red	941	851	774	684	576	479	---	---	---	---	---	---	---
	Med-High	Orange	1009	917	840	759	667	577	447	---	---	---	---	---	---
604D --A30	High	Black	1241	1167	1111	1036	969	881	818	731	640	---	---	---	---
	Low	Blue	741	638	547	415	---	---	---	---	---	---	---	---	---
	Med-Low	Pink	973	887	823	733	665	538	451	---	---	---	---	---	---
	Medium	Red	1088	1023	954	881	800	723	658	563	481	---	---	---	---
604D --A36	Med-High ¹	Orange	1140	1064	996	915	840	758	687	564	460	---	---	---	---
	High	Black	1202	1140	1082	1015	961	881	810	732	631	---	---	---	---
	Low	Blue	1234	1168	1093	1021	961	894	825	759	687	---	---	---	---
	Med-Low	Pink	1290	1223	1154	1090	1027	977	894	828	762	---	---	---	---
604D --A42	Medium ¹	Red	1354	1290	1226	1158	1102	1046	981	918	843	---	---	---	---
	Med-High	Orange	1606	1546	1489	1430	1371	1316	1258	1208	1140	---	---	---	---
	High	Black	1630	1580	1517	1463	1407	1339	1277	1210	1131	---	---	---	---
	Low	Blue	1295	1234	1182	1126	1075	1016	955	898	857	---	---	---	---
604D --A48	Med-Low	Pink	1345	1282	1235	1194	1140	1095	1027	974	921	---	---	---	---
	Medium	Red	1505	1452	1413	1358	1323	1282	1234	1169	1130	---	---	---	---
	Med-High ¹	Orange	1545	1492	1449	1411	1362	1313	1278	1231	1188	---	---	---	---
	High	Black	1705	1643	1607	1568	1518	1483	1448	1404	1360	---	---	---	---
604D --A60	Low	Blue	1402	1351	1311	1263	1224	1172	1136	1080	1041	---	---	---	---
	Med-Low	Pink	1457	1404	1367	1318	1284	1233	1197	1144	1104	---	---	---	---
	Medium ¹	Red	1736	1695	1642	1601	1553	1512	1465	1427	1381	---	---	---	---
	Med-High	Orange	2149	2111	2062	2026	1980	1945	1905	1864	1793	---	---	---	---
604D --A60	High	Black	2344	2306	2259	2203	2141	2070	1991	1902	1803	---	---	---	---
	Low	Blue	1445	1389	1341	1281	1236	1189	1139	1072	1027	---	---	---	---
	Med-Low	Pink	1678	1635	1602	1558	1513	1474	1438	1404	1349	---	---	---	---
	Medium ¹	Red	1927	1893	1858	1824	1791	1759	1720	1689	1640	---	---	---	---
604D --A60	Med-High	Orange	2131	2088	2065	2013	1982	1941	1888	1860	1785	---	---	---	---
	High	Black	2461	2409	2339	2286	2192	2140	2062	1968	1874	---	---	---	---

* Air delivery values are without air filter and are for dry coil (See 604D --A Wet Coil Pressure Drop Table).

¹ Factory – shipped cooling speed

NOTE: Deduct field –supplied air filter pressure drop and wet coil pressure drop to obtain external static pressure available for ducting. Shaded areas indicate speed/static combinations that are not permitted for dehumidification speed.

Table 5 – Dry Coil Air Delivery - Downflow Discharge

UNIT	MOTOR SPEED	WIRE COLOR	EXTERNAL STATIC PRESSURE (IN. W.C.)																
			0.10	0.20	0.30	0.40	0.50	0.60	0.70	0.80	0.90	1.0							
604D--A24	Low	CFM	809	664	554	447	--	--	--	--	--	--	--	--	--	--	--	--	
		WATTS	85	82	87	95	--	--	--	--	--	--	--	--	--	--	--	--	--
		BHP	0.09	0.09	0.09	0.10	--	--	--	--	--	--	--	--	--	--	--	--	--
	MedLow	CFM	875	787	693	612	498	392	392	392	392	392	392	392	392	392	392	392	392
		WATTS	101	111	115	125	131	142	142	142	142	142	142	142	142	142	142	142	142
		BHP	0.11	0.12	0.12	0.13	0.14	0.15	0.15	0.15	0.15	0.15	0.15	0.15	0.15	0.15	0.15	0.15	0.15
	Medium ¹	CFM	939	860	748	663	591	472	472	472	472	472	472	472	472	472	472	472	472
		WATTS	119	124	134	138	147	155	164	164	164	164	164	164	164	164	164	164	164
		BHP	0.13	0.13	0.14	0.15	0.16	0.17	0.18	0.18	0.18	0.18	0.18	0.18	0.18	0.18	0.18	0.18	0.18
	MedHigh	CFM	1026	949	873	786	694	604	604	604	604	604	604	604	604	604	604	604	604
		WATTS	146	151	161	167	177	183	183	183	183	183	183	183	183	183	183	183	183
		BHP	0.16	0.16	0.17	0.18	0.19	0.20	0.21	0.21	0.21	0.21	0.21	0.21	0.21	0.21	0.21	0.21	0.21
High	CFM	1264	1202	1134	1070	1002	931	870	870	870	870	870	870	870	870	870	870	870	
	WATTS	250	261	274	279	290	296	308	308	308	308	308	308	308	308	308	308	308	
	BHP	0.27	0.28	0.29	0.30	0.31	0.32	0.33	0.33	0.33	0.33	0.33	0.33	0.33	0.33	0.33	0.33	0.33	
604D--A30	Low	CFM	756	669	548	457	--	--	--	--	--	--	--	--	--	--	--	--	
		WATTS	84	90	96	106	--	--	--	--	--	--	--	--	--	--	--	--	--
		BHP	0.09	0.10	0.10	0.11	--	--	--	--	--	--	--	--	--	--	--	--	--
	MedLow	CFM	1002	928	842	733	660	560	560	560	560	560	560	560	560	560	560	560	560
		WATTS	144	155	161	173	185	192	203	203	203	203	203	203	203	203	203	203	203
		BHP	0.15	0.17	0.17	0.19	0.20	0.21	0.22	0.22	0.22	0.22	0.22	0.22	0.22	0.22	0.22	0.22	0.22
	Medium	CFM	1110	1025	967	879	814	706	611	611	611	611	611	611	611	611	611	611	611
		WATTS	188	195	205	211	223	236	243	243	243	243	243	243	243	243	243	243	243
		BHP	0.20	0.21	0.22	0.23	0.24	0.25	0.26	0.26	0.26	0.26	0.26	0.26	0.26	0.26	0.26	0.26	0.26
	MedHigh ¹	CFM	1160	1091	1004	945	866	804	804	804	804	804	804	804	804	804	804	804	804
		WATTS	213	225	232	243	249	261	273	273	273	273	273	273	273	273	273	273	273
		BHP	0.23	0.24	0.25	0.26	0.27	0.28	0.29	0.29	0.29	0.29	0.29	0.29	0.29	0.29	0.29	0.29	0.29
High	CFM	1240	1173	1110	1031	966	902	821	821	821	821	821	821	821	821	821	821	821	
	WATTS	254	266	274	284	295	302	315	315	315	315	315	315	315	315	315	315	315	
	BHP	0.27	0.29	0.29	0.30	0.32	0.32	0.34	0.34	0.34	0.34	0.34	0.34	0.34	0.34	0.34	0.34	0.34	

Table 5 - Dry Coil Air Delivery - Downflow Discharge (Cont)

UNIT	MOTOR SPEED	WIRE COLOR	EXTERNAL STATIC PRESSURE (IN. W.C.)										
			0.10	0.20	0.30	0.40	0.50	0.60	0.70	0.80	0.90	1.0	
604D--A36	Low	CFM	1277	1215	1147	1094	1045	992	932	874	826	757	
		WATTS	285	289	299	305	314	319	328	335	347	352	
		BHP	0.31	0.31	0.32	0.33	0.34	0.34	0.35	0.36	0.37	0.38	
	MedLow	CFM	1312	1260	1203	1153	1095	1050	995	943	889	829	
		WATTS	314	324	329	340	344	355	361	372	382	387	
		BHP	0.34	0.35	0.35	0.36	0.37	0.38	0.39	0.40	0.41	0.42	
	Medium ¹	CFM	1381	1326	1269	1212	1161	1121	1070	1019	974	912	
		WATTS	358	365	375	383	391	395	406	418	424	434	
		BHP	0.38	0.39	0.40	0.41	0.42	0.42	0.44	0.45	0.45	0.47	
	604D--A42	MedHigh	CFM	1631	1579	1525	1477	1423	1372	1336	1284	1233	1166
			WATTS	567	576	581	592	598	609	617	619	613	598
			BHP	0.61	0.62	0.62	0.63	0.64	0.65	0.66	0.66	0.66	0.64
High		CFM	1681	1633	1575	1526	1478	1415	1366	1312	1249	1159	
		WATTS	618	626	636	644	652	653	649	642	627	602	
		BHP	0.66	0.67	0.68	0.69	0.70	0.70	0.70	0.69	0.67	0.65	
604D--A42	Low	CFM	1365	1324	1284	1233	1181	1127	1084	1039	984	939	
		WATTS	177	189	201	210	222	236	248	261	269	281	
		BHP	0.19	0.20	0.22	0.23	0.24	0.25	0.27	0.28	0.29	0.30	
	MedLow	CFM	1425	1384	1339	1301	1254	1199	1151	1104	1065	1015	
		WATTS	197	210	223	235	248	257	271	284	296	305	
		BHP	0.21	0.23	0.24	0.25	0.27	0.28	0.29	0.30	0.32	0.33	
604D--A42	Medium	CFM	1582	1549	1509	1469	1433	1392	1346	1300	1249	1213	
		WATTS	267	280	294	308	322	336	344	359	374	387	
		BHP	0.29	0.30	0.32	0.33	0.35	0.36	0.37	0.38	0.40	0.42	
	MedHigh ¹	CFM	1623	1586	1553	1511	1470	1433	1393	1350	1309	1261	
		WATTS	285	299	312	324	335	349	363	378	393	407	
		BHP	0.31	0.32	0.33	0.35	0.36	0.37	0.39	0.41	0.42	0.44	
High	CFM	1775	1736	1696	1660	1622	1588	1557	1516	1472	1426		
	WATTS	371	386	401	410	424	439	453	468	483	497		
	BHP	0.40	0.41	0.43	0.44	0.45	0.47	0.49	0.50	0.52	0.53		

Table 5 - Dry Coil Air Delivery - Downflow Discharge (Cont)

UNIT	MOTOR SPEED	WIRE COLOR	EXTERNAL STATIC PRESSURE (IN. W.C.)											
			0.10	0.20	0.30	0.40	0.50	0.60	0.70	0.80	0.90	1.0		
604D--A48	Low	CFM	1503	1457	1423	1374	1330	1287	1241	1199	1153	1111		
		WATTS	225	233	246	254	269	282	292	307	314	329		
		BHP	0.24	0.25	0.26	0.27	0.29	0.30	0.31	0.33	0.34	0.35		
	MedLow	CFM	1556	1508	1461	1432	1388	1346	1302	1256	1221	1168		
		WATTS	244	261	268	281	290	305	319	330	345	353		
		BHP	0.26	0.28	0.29	0.30	0.31	0.33	0.34	0.35	0.37	0.38		
	Medium ¹	CFM	1861	1822	1786	1758	1716	1688	1660	1619	1583	1539		
		WATTS	400	417	426	441	452	467	482	492	507	519		
		BHP	0.43	0.45	0.46	0.47	0.48	0.50	0.52	0.53	0.54	0.56		
	MedHigh	CFM	2319	2291	2255	2230	2193	2166	2118	2057	1992	1887		
		WATTS	758	769	787	799	808	823	822	805	780	737		
		BHP	0.81	0.82	0.84	0.86	0.87	0.88	0.88	0.86	0.84	0.79		
High	CFM	2532	2487	2444	2391	2330	2259	2179	2111	2033	1949			
	WATTS	1014	1022	1015	994	965	935	898	858	823	786			
	BHP	1.09	1.10	1.09	1.07	1.03	1.00	0.96	0.92	0.88	0.84			
604D--A60	Low	CFM	1479	1436	1387	1346	1298	1253	1206	1160	1114	1061		
		WATTS	224	239	247	262	270	284	300	307	319	330		
		BHP	0.24	0.26	0.26	0.28	0.29	0.30	0.32	0.33	0.34	0.35		
	MedLow	CFM	1841	1796	1761	1724	1690	1651	1616	1578	1527	1478		
		WATTS	425	434	453	460	476	485	501	508	525	542		
		BHP	0.46	0.47	0.49	0.49	0.51	0.52	0.54	0.54	0.56	0.58		
	Medium ¹	CFM	2045	2009	1970	1933	1905	1868	1829	1802	1751	1683		
		WATTS	569	579	597	607	623	639	648	665	674	663		
		BHP	0.61	0.62	0.64	0.65	0.67	0.69	0.69	0.71	0.72	0.71		
	MedHigh	CFM	2178	2148	2105	2073	2036	2002	1967	1919	1845	1751		
		WATTS	674	691	703	717	733	743	758	754	734	701		
		BHP	0.72	0.74	0.75	0.77	0.79	0.80	0.81	0.81	0.79	0.75		
High	CFM	2480	2432	2375	2322	2236	2161	2085	2006	1917	1808			
	WATTS	1029	1012	995	975	941	908	869	836	796	751			
	BHP	1.10	1.09	1.07	1.05	1.01	0.97	0.93	0.90	0.85	0.81			

*Air delivery values are without air filter and are for dry coil (See 604D--A Wet Coil Pressure Drop table).

¹ Factory-shipped cooling speed

NOTE: Duct field-supplied air filter pressure drop and wet coil pressure drop to obtain external static pressure available for ducting. Shaded areas indicate speed/static combinations that are not permitted.

Table 6 – Wet Coil Pressure Drop (IN. W.C.)

UNIT SIZE	STANDARD CFM (SCFM)																	
	600	700	800	900	1000	1100	1200	1300	1400	1500	1600	1700	1800	1900	2000	2100	2200	
24	0.03	0.04	0.04	0.05	0.06													
30				0.05	0.06	0.07	0.08	0.11										
36				0.06	0.06	0.09	0.10	0.11	0.14									
42					0.05	0.05	0.06	0.07	0.08	0.08	0.09	0.09	0.11					
48							0.04	0.06	0.09	0.10	0.10	0.11	0.12	0.13	0.14			
60								0.06	0.07	0.07	0.08	0.08	0.09	0.09	0.10	0.12	0.12	0.13

Table 7 – Economizer with 1-in. Filter Pressure Drop (IN. W.C.)

FILTER SIZE IN. (MM)	COOLING TONS	STANDARD CFM (SCFM)																
		600	700	800	900	1000	1100	1200	1300	1400	1500	1600	1700	1800	1900	2000	2100	2200
600-1400 CFM 12x20x1 + 12x20x1 (305x508x25 + 305x508x25)	2.0,	-	-	0.09	0.14	0.16	0.18	0.25	0.28	0.3	-	-	-	-	-	-	-	-
	2.5,																	
	3.0																	
1200-1800 CFM 16x24x1 + 14x24x1 (406x610x25 + 356x610x25)	3.5,	-	-	-	-	-	-	0.10	0.11	0.12	0.13	0.14	0.16	-	-	-	-	-
	4.0																	
1500-2200 CFM 16x24x1 + 18x24x1 (406x610x25 + 457x610x25)	5.0	-	-	-	-	-	-	-	-	-	0.15	0.17	0.18	0.20	0.21	0.22	0.23	0.23

Table 8 – Filter Pressure Drop Table (IN. W.C.)

FILTER SIZE IN. (MM)	COOLING TONS	STANDARD CFM (SCFM)																
		600	700	800	900	1000	1100	1200	1300	1400	1500	1600	1700	1800	1900	2000	2100	2200
600-1400 CFM 12x20x1 + 12x20x1 (305x508x25 + 305x508x25)	2.0,	0.03	0.05	0.06	0.08	0.10	0.11	0.13	0.14	0.16	-	-	-	-	-	-	-	-
	2.5,																	
	3.0																	
1200-1800 CFM 16x24x1 + 14x24x1 (406x610x25 + 356x610x25)	3.5,	-	-	-	-	-	-	0.07	0.08	0.09	0.09	0.10	0.11	0.12	-	-	-	-
	4.0																	
1500-2200 CFM 16x24x1 + 18x24x1 (406x610x25 + 457x610x25)	5.0	-	-	-	-	-	-	-	-	-	0.04	0.06	0.08	0.10	0.11	0.13	0.14	0.15

**Table 9 – Electric Heat Pressure Drop Table (IN. W.C.)
Small Cabinet: 24-36**

	STANDARD CFM (SCFM)															
	500	600	700	800	900	1000	1100	1200	1300	1400	1500	1600				
5kw	0.00	0.00	0.00	0.00	0.00	0.00	0.00	0.00	0.02	0.04	0.06	0.07				
7.5 kw	0.00	0.00	0.00	0.00	0.00	0.00	0.02	0.03	0.05	0.07	0.08	0.09				
10 kw	0.00	0.00	0.00	0.00	0.00	0.02	0.04	0.06	0.07	0.09	0.10	0.11				
15 kw	0.00	0.00	0.00	0.02	0.04	0.06	0.08	0.10	0.12	0.14	0.16	0.18				
20 kw	0.00	0.00	0.02	0.04	0.06	0.08	0.09	0.11	0.13	0.15	0.17	0.19				

**Electric Heat Pressure Drop Table (IN. W.C.)
Large Cabinet 42-60**

	STANDARD CFM (SCFM)															
	1100	1200	1300	1400	1500	1600	1700	1800	1900	2000	2100	2200	2300	2400	2500	
5kw	0.00	0.00	0.00	0.01	0.02	0.03	0.04	0.05	0.06	0.07	0.08	0.09	0.10	0.11	0.12	
7.5 kw	0.00	0.00	0.01	0.02	0.03	0.04	0.05	0.06	0.07	0.08	0.09	0.10	0.11	0.12	0.13	
10 kw	0.00	0.00	0.01	0.02	0.03	0.04	0.05	0.06	0.07	0.08	0.09	0.10	0.11	0.12	0.13	
15 kw	0.00	0.02	0.03	0.04	0.05	0.06	0.07	0.08	0.09	0.10	0.11	0.12	0.13	0.14	0.15	
20 kw	0.02	0.03	0.04	0.05	0.06	0.07	0.08	0.09	0.10	0.11	0.12	0.13	0.14	0.15	0.16	

Model Size	Required Subcooling °F(°C)					Required Liquid Line Temperature for a Specific Subcooling (R-410A)												
	Outdoor Ambient Temperature °F(°C)					Required Subcooling (°F)					Required Subcooling (°C)							
	75 (24)	85 (29)	95 (35)	105 (41)	115 (46)	5	10	15	20	25	3	6	8	11	14			
						189	66	61	56	51	46	41	19	16	13	11	8	5
024	15 (8.5)	15 (8.5)	15 (8.3)	15 (8.2)	14 (7.9)	196	68	63	58	53	48	43	20	17	15	12	9	6
030	18 (10)	18 (10)	17 (9.4)	17 (9.4)	17 (9.4)	203	71	66	61	56	51	46	21	19	16	13	10	8
036	18 (10)	18 (9.8)	16 (8.7)	15 (8.4)	14 (7.8)	210	73	68	63	58	53	48	23	20	17	14	11	9
042	17 (9.3)	17 (9.3)	17 (9.2)	16 (8.9)	15 (8.5)	217	75	70	65	60	55	50	24	21	18	15	13	10
048	20 (11.2)	20 (10.9)	19 (10.5)	18 (10.1)	17 (9.5)	224	77	72	67	62	57	52	25	22	19	16	14	11
060	19 (10.6)	19 (10.4)	18 (10.1)	18 (9.7)	17 (9.4)	231	79	74	69	64	59	54	26	23	20	18	15	12
						238	81	76	71	66	61	56	27	24	21	19	16	13
						245	82	77	72	67	62	57	28	25	22	20	17	14
						252	84	79	74	69	64	59	29	26	23	21	18	15
						260	86	81	76	71	66	61	30	27	25	22	19	16
						268	88	83	78	73	68	63	31	29	26	23	20	17
						276	90	85	80	75	70	65	32	30	27	24	21	19
						284	92	87	82	77	72	67	33	31	28	25	22	20
						292	94	89	84	79	74	69	35	32	29	26	23	21
						300	96	91	86	81	76	71	36	33	30	27	24	22
						309	98	93	88	83	78	73	37	34	31	28	26	23
						318	100	95	90	85	80	75	38	35	32	29	27	24
						327	102	97	92	87	82	77	39	36	33	31	28	25
						336	104	99	94	89	84	79	40	37	34	32	29	26
						345	106	101	96	91	86	81	41	38	35	33	30	27
						354	108	103	98	93	88	83	42	39	36	34	31	28
						364	110	105	100	95	90	85	43	40	38	35	32	29
						374	112	107	102	97	92	87	44	41	39	36	33	30
						384	113	108	103	98	93	88	45	42	40	37	34	31
						394	115	110	105	100	95	90	46	44	41	38	35	32
						404	117	112	107	102	97	92	47	45	42	39	36	33
						414	119	114	109	104	99	94	48	46	43	40	37	34
						424	121	116	111	106	101	96	49	47	44	41	38	35
						434	123	118	113	108	103	98	50	48	45	42	39	36
						444	124	119	114	109	104	99	51	48	46	43	40	37
						454	126	121	116	111	106	101	52	49	47	44	41	38
						464	128	123	118	113	108	103	53	50	48	45	42	39
						474	129	124	119	114	109	104	54	51	48	46	43	40
						484	131	126	121	116	111	106	55	52	49	47	44	41
						494	132	127	122	117	112	107	56	53	50	47	45	42
						504	134	129	124	119	114	109	57	54	51	48	46	43
						514	136	131	126	121	116	111	58	55	52	49	46	44
						524	137	132	127	122	117	112	59	56	53	50	47	45
						534	139	134	129	124	119	114	59	56	54	51	48	45

Charging Procedure

- 1- Measure Discharge line pressure by attaching a gauge to the service port.
- 2- Measure the Liquid line temperature by attaching a temperature sensing device to it.
- 3- Insulate the temperature sensing device so that the Outdoor Ambient doesn't affect the reading.
- 4- Refer to the required Subcooling in the table based on the model size and the Outdoor Ambient temperature.
- 5- Interpolate if the Outdoor ambient temperature lies in between the table values.
- 6- Find the Pressure Value in the table corresponding to the the measured Pressure of the Compressor Discharge line.
- 7- Read across from the Pressure reading to obtain the Liquid line temperature for a required Subcooling
- 8- Add Charge if the measured temperature is higher than the table value.
- 9 - Remove charge if the measured temperature is lower than the table value.

50EZ500317 REV.2.0

Fig. 17 - Cooling Charging Table-Subcooling

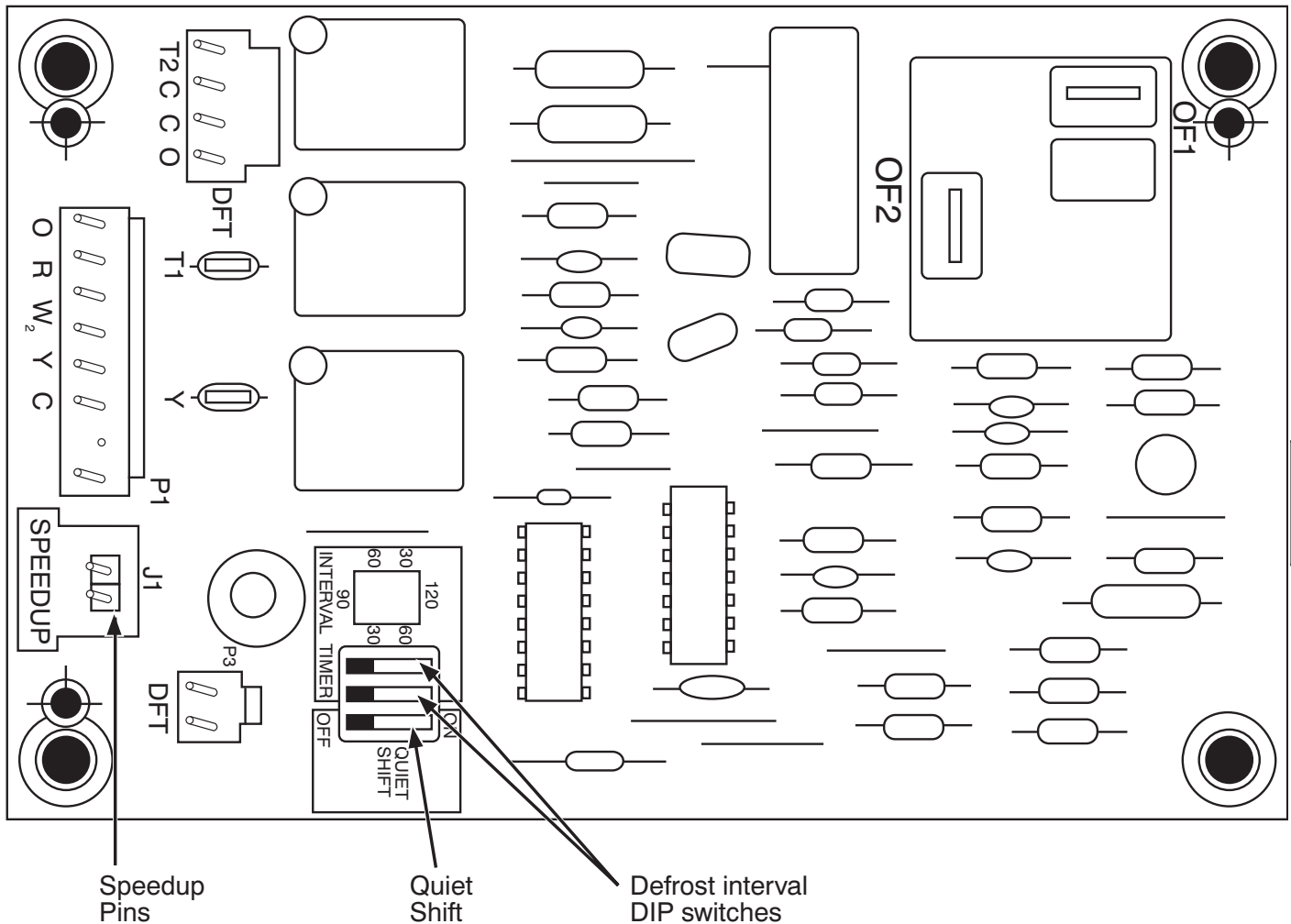


Fig. 18 - Defrost Control

A08020

Step 4 — Electrical Controls and Wiring

Inspect and check the electrical controls and wiring annually. Be sure to turn off the electrical power to the unit.

Remove access panels (see Fig. 20) to locate all the electrical controls and wiring. Check all electrical connections for tightness. Tighten all screw connections. If any discolored or burned connections are noticed, disassemble the connection, clean all the parts, restrip the wire end and reassemble the connection properly and securely.

After inspecting the electrical controls and wiring, replace all the panels. Start the unit, and observe at least one complete cooling cycle to ensure proper operation. If discrepancies are observed in operating cycle, or if a suspected malfunction has occurred, check each electrical component with the proper electrical instrumentation. Refer to the unit wiring label when making these checkouts.

Step 5 — Refrigerant Circuit

Inspect all refrigerant tubing connections and the unit base for oil accumulation annually. Detecting oil generally indicates a refrigerant leak.

If oil is detected or if low performance is suspected, leak-test all refrigerant tubing using an electronic leak detector, or liquid-soap solution. If a refrigerant leak is detected, refer to Check for Refrigerant Leaks section.

If no refrigerant leaks are found and low performance is suspected, refer to Checking and Adjusting Refrigerant Charge section.

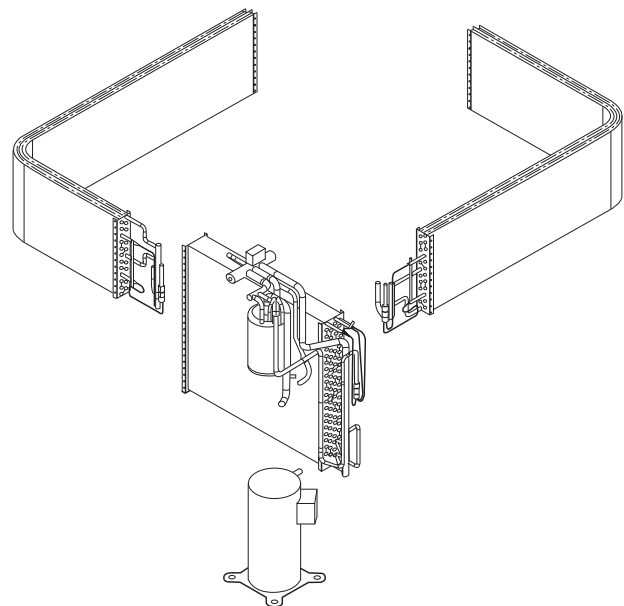
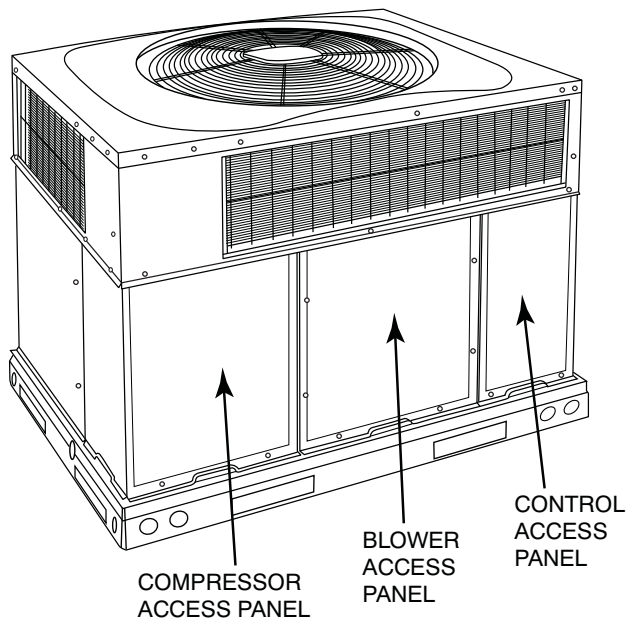


Fig. 19 - Refrigerant Circuit

C99097



A09207

Fig. 20 - Unit Access Panels

Step 6 — Indoor Airflow

The heating and/or cooling airflow does not require checking unless improper performance is suspected. If a problem exists, be sure that all supply-air and return-air grilles are open and free from obstructions, and that the air filter is clean. When necessary, refer to Indoor Airflow and Airflow Adjustments section to check the system airflow.

Step 7 — Metering Devices-TXV & Piston

This unit uses 2 types of metering devices. The outdoor metering device is a fixed orifice and is contained in the brass hex-body in each liquid line feeding the outdoor coils. The indoor metering device is a TXV type device.

Step 8 — Pressure Switches

Pressure switches are protective devices wired into control circuit (low voltage). They shut off compressor if abnormally high or low pressures are present in the refrigeration circuit. These pressure switches are specifically designed to operate with Puron (R-410A) systems. R-22 pressure switches must not be used as replacements for the Puron (R-410A) system.

Step 9 — Loss of Charge Switch

This switch is located on the liquid line and protects against low suction pressures caused by such events as loss of charge, low airflow across indoor coil, dirty filters, etc. It opens on a pressure drop at about 20 psig. If system pressure is above this, switch should be closed. To check switch:

1. Turn off all power to unit.
2. Disconnect leads on switch.
3. Apply ohm meter leads across switch. You should have continuity on a good switch.

NOTE: Because these switches are attached to refrigeration system under pressure, it is not advisable to remove this device for troubleshooting unless you are reasonably certain that a problem exists. If switch must be removed, remove and recover all system charge so that pressure gauges read 0 psi. Never open system without breaking vacuum with dry nitrogen.

Step 10 — High-Pressure Switch

The high-pressure switch is located in the discharge line and protects against excessive condenser coil pressure. It opens at 650 psig.

High pressure may be caused by a dirty outdoor coil, failed fan motor, or outdoor air recirculation.

To check switch:

1. Turn off all power to unit.
2. Disconnect leads on switch.
3. Apply ohm meter leads across switch. You should have continuity on a good switch.

Step 11 — Copeland Scroll Compressor (Puron Refrigerant)

The compressor used in this product is specifically designed to operate with Puron (R-410A) refrigerant and cannot be interchanged.

⚠ WARNING

EXPLOSION HAZARD

Failure to follow this warning could result in personal injury, death or property damage.

Wear safety glasses and gloves when handling refrigerants. Keep torches and other ignition sources away from refrigerant and oils.

The scroll compressor pumps refrigerant throughout the system by the interaction of a stationary and an orbiting scroll. The scroll compressor has no dynamic suction or discharge valves, and it is more tolerant of stresses caused by debris, liquid slugging, and flooded starts. The compressor is equipped with an internal pressure relief port. The pressure relief port is a safety device, designed to protect against extreme high pressure. The relief port has an operating range between 550 and 625 psig differential pressure.

Step 12 — Refrigerant System

This step covers the refrigerant system of the 604D--A, including the compressor oil needed, servicing systems on roofs containing synthetic materials, the filter drier and refrigerant charging.

Refrigerant

⚠ WARNING

PROPERTY HAZARD, PERSONAL INJURY OR ENVIRONMENTAL HAZARD

Failure to follow this warning could result in property damage or personal injury or death.

This system uses Puron (R-410A) refrigerant which has higher operating pressures than R-22 and other refrigerants. No other refrigerant may be used in this system. Gauge set, hoses, and recovery system must be designed to handle Puron. If you are unsure consult the equipment manufacturer.

Compressor Oil

The Copeland scroll compressor uses 3MAF POE oil. If additional oil is needed, use Uniqema RL32-3MAF. If this oil is not available, use Copeland Ultra 32 CC or Mobil Arctic EAL22 CC. This oil is extremely hygroscopic, meaning it absorbs water readily. POE oils can absorb 15 times as much water as other oils designed to HCFC and CFC refrigerants. Take all necessary precautions to avoid exposure of the oil to the atmosphere.

Servicing Systems on Roofs with Synthetic Materials

POE (polyolester) compressor lubricants are known to cause long term damage to some synthetic roofing materials. Exposure, even if immediately cleaned up, may cause embrittlement (leading to cracking) to occur in one year or more. When performing any service that may risk exposure of compressor oil to the roof, take appropriate precautions to protect roofing. Procedures which risk oil leakage include, but are not limited to, compressor replacement,

repairing refrigerant leaks, replacing refrigerant components such as filter drier, pressure switch, metering device, coil, accumulator, or reversing valve.

Synthetic Roof Precautionary Procedure

1. Cover extended roof working area with an impermeable polyethylene (plastic) drip cloth or tarp. Cover an approximate 10x10 ft (3x3 m) area.
2. Cover area in front of the unit service panel with a terry cloth shop towel to absorb lubricant spills and prevent run-offs, and protect drop cloth from tears caused by tools or components.
3. Place terry cloth shop towel inside unit immediately under component(s) to be serviced and prevent lubricant run-offs through the louvered openings in the unit base.
4. Perform required service.
5. Remove and dispose of any oil contaminated material per local codes.

Liquid Line Filter Drier

The biflow filter drier is specifically designed to operate with Puron. Use only factory-authorized components. Filter drier must be replaced whenever the refrigerant system is opened. When removing a filter drier, use a tubing cutter to cut the drier from the system. Do not unsweat a filter drier from the system. Heat from unsweating will release moisture and contaminants from drier into system.

Puron (R-410A) Refrigerant Charging

Refer to unit information plate and charging chart. Some R-410A refrigerant cylinders contain a dip tube to allow liquid refrigerant to flow from cylinder in upright position. For cylinders equipped with a dip tube, charge Puron units with cylinder in upright position and a commercial metering device in manifold hose. Charge refrigerant into suction-line.

Step 13 — System Information

Loss of Charge Switch

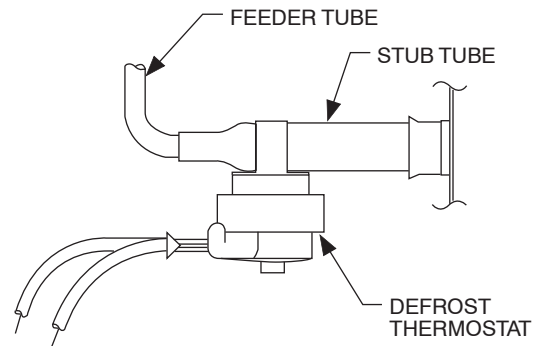
The loss of charge switch is a protective device wired into control circuit (low voltage). It shuts off the compressor if abnormally low pressures are present in the refrigeration circuit.

NOTE: Because these switches are attached to refrigeration system under pressure, it is not advisable to remove this device for troubleshooting unless you are reasonably certain that a problem exists. If switch must be removed, remove and recover all system charge so that pressure gauges read 0 psi. Never open system without breaking vacuum with dry nitrogen.

Check Defrost Thermostat

The defrost thermostat signals heat pump that conditions are right for defrost or that conditions have changed to terminate defrost. It is a thermally actuated switch clamped to outdoor coil to sense its temperature. Normal temperature range is closed at $32^{\circ} \pm 3^{\circ}\text{F}$ ($0 \pm 1.7^{\circ}\text{C}$) and open at $65^{\circ} \pm 5^{\circ}\text{F}$ ($18 \pm 2.8^{\circ}\text{C}$).

NOTE: The defrost thermostat is usually located on the lowest liquid leaving circuit of the left condenser coil.



C99029

Fig. 21 - Defrost Thermostat

TROUBLESHOOTING

Refer to the Cooling and Heating Troubleshooting Chart (Table 10) for troubleshooting information.

START-UP CHECKLIST

Use the Start-Up Checklist.

PURON® (R-410A) QUICK REFERENCE GUIDE

- Puron refrigerant operates at 50-70 percent higher pressures than R-22. Be sure that servicing equipment and replacement components are designed to operate with Puron
- Puron refrigerant cylinders are rose colored.
- Recovery cylinder service pressure rating must be 400 psig, DOT 4BA400 or DOT BW400.
- Puron systems should be charged with liquid refrigerant. Use a commercial type metering device in the manifold hose when charging into suction line with compressor operating
- Manifold sets should be minimum 700 psig high side and 180 psig low side with 550 psig low-side retard.
- Use hoses with minimum 700 psig service pressure rating.
- Leak detectors should be designed to detect HFC refrigerant.
- Puron, as with other HFCs, is only compatible with POE oils.
- Vacuum pumps will not remove moisture from oil.
- Do not use liquid-line filter driers with rated working pressures less than 600 psig.
- Do not leave Puron suction line filter driers in line longer than 72 hours.
- Do not install a suction-line filter drier in liquid line.
- POE oils absorb moisture rapidly. Do not expose oil to atmosphere.
- POE oils may cause damage to certain plastics and roofing materials.
- Wrap all filter driers and service valves with wet cloth when brazing.
- A factory approved liquid-line filter drier is required on every unit.
- Do NOT use an R-22 TXV.
- Never open system to atmosphere while it is under a vacuum.
- When system must be opened for service, recover refrigerant, evacuate then break vacuum with dry nitrogen and replace filter driers. Evacuate to 500 microns prior to recharging.
- Do not vent Puron into the atmosphere.
- Observe all **warnings**, **cautions**, and **bold** text.
- All indoor coils must be installed with a hard shutoff Puron TXV metering device.

Table 10 – Troubleshooting Chart

SYMPTOM	CAUSE	REMEDY
Compressor and condenser fan will not start.	Power failure	Call power company
	Fuse blown or circuit breaker tripped	Replace fuse or reset circuit breaker
	Defective contactor, transformer, or high-pressure, loss-of-charge or low-pressure switch	Replace component
	Insufficient line voltage	Determine cause and correct
	Incorrect or faulty wiring	Check wiring diagram and rewire correctly
	Thermostat setting too high	Lower thermostat setting below room temperature
Compressor will not start but condenser fan runs	Faulty wiring or loose connections in compressor circuit	Check wiring and repair or replace
	Compressor motor burned out, seized, or internal overload open	Determine cause Replace compressor
	Defective run/start capacitor, overload, start relay	Determine cause and replace
	One leg of 3-phase power dead	Replace fuse or reset circuit breaker Determine cause
Three-phase scroll compressor makes excessive noise, and there may be a low pressure differential.	Scroll compressor is rotating in the wrong direction	Correct the direction of rotation by reversing the 3-phase power leads to the unit.
Compressor cycles (other than normally satisfying thermostat).	Refrigerant overcharge or undercharge	Recover refrigerant, evacuate system, and recharge to capacities shown on rating plate
	Defective compressor	Replace and determine cause
	Insufficient line voltage	Determine cause and correct
	Blocked condenser	Determine cause and correct
	Defective run/start capacitor, overload or start relay	Determine cause and replace
	Defective thermostat	Replace thermostat
	Faulty condenser-fan motor or capacitor	Replace
	Restriction in refrigerant system	Locate restriction and remove
Compressor operates continuously	Dirty air filter	Replace filter
	Unit undersized for load	Decrease load or increase unit size
	Thermostat set too low	Reset thermostat
	Low refrigerant charge	Locate leak, repair, and recharge
	Mechanical damage in compressor	Replace compressor
	Air in system	Recover refrigerant, evacuate system, and recharge
	Condenser coil dirty or restricted	Clean coil or remove restriction
Excessive head pressure	Dirty air filter	Replace filter
	Dirty condenser coil	Clean coil
	Refrigerant overcharged	Recover excess refrigerant
	Air in system	Recover refrigerant, evacuate system, and recharge
	Condenser air restricted or air short-cycling	Determine cause and correct
Head pressure too low	Low refrigerant charge	Check for leaks, repair, and recharge.
	Compressor IPR leaking	Replace compressor
	Restriction in liquid tube	Remove restriction
Excessive suction pressure	High heat load	Check for source and eliminate
	Compressor IPR leaking	Replace compressor
	Refrigerant overcharged	Recover excess refrigerant
Suction pressure too low	Dirty air filter	Replace filter
	Low refrigerant charge	Check for leaks, repair and recharge
	Metering device or low side restricted	Remove source of restriction
	Insufficient evaporator airflow	Increase air quantity Check filter—replace if necessary
	Temperature too low in conditioned area	Reset thermostat
	Outdoor ambient below 55°F (12.7°C)	Install low-ambient kit
	Filter drier restricted	Replace filter

604D -- A

START-UP CHECKLIST

(Remove and Store in Job Files)

I. PRELIMINARY INFORMATION

MODEL NO.: _____

SERIAL NO.: _____

DATE: _____

TECHNICIAN: _____

II. PRESTART-UP (Insert check mark in box as each item is completed)

- VERIFY THAT ALL PACKING MATERIALS HAVE BEEN REMOVED FROM UNIT
- REMOVE ALL SHIPPING HOLD DOWN BOLTS AND BRACKETS PER INSTALLATION INSTRUCTIONS
- CHECK ALL ELECTRICAL CONNECTIONS AND TERMINALS FOR TIGHTNESS
- CHECK THAT INDOOR (EVAPORATOR) AIR FILTER IS CLEAN AND IN PLACE
- VERIFY THAT UNIT INSTALLATION IS LEVEL
- CHECK FAN WHEEL, AND PROPELLER FOR LOCATION IN HOUSING/ORIFICE AND SETSCREW TIGHTNESS

III. START-UP

ELECTRICAL

SUPPLY VOLTAGE _____

COMPRESSOR AMPS _____

INDOOR (EVAPORATOR) FAN AMPS _____

TEMPERATURES

OUTDOOR (CONDENSER) AIR TEMPERATURE _____ DB

RETURN-AIR TEMPERATURE _____ DB _____ WB

COOLING SUPPLY AIR _____ DB _____ WB

HEAT PUMP SUPPLY AIR _____

ELECTRIC HEAT SUPPLY AIR _____

PRESSURES

REFRIGERANT SUCTION _____ PSIG, SUCTION LINE TEMP* _____

REFRIGERANT DISCHARGE _____ PSIG, LIQUID TEMP† _____

- VERIFY REFRIGERANT CHARGE USING CHARGING CHARTS

* Measured at suction inlet to compressor

† Measured at liquid line leaving condenser.

604D--A