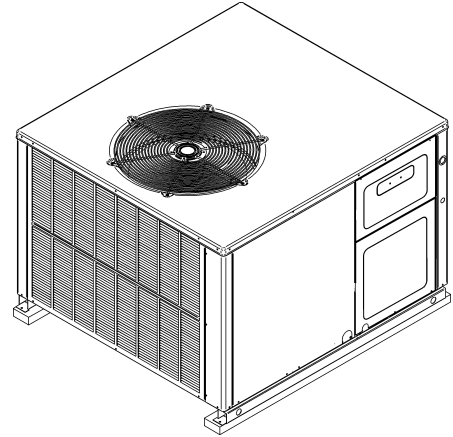




REPAIR PARTS

GPHM5 Residential Package Heat Pump

GPHM52431AA
GPHM53031AA
GPHM53631AA
GPHM54231AA
GPHM54831AA



This manual is to be used by qualified technicians only.

© 2025 Goodman Manufacturing Company, L.P. ♦ 19001 Kermier Rd. ♦ Waller, TX 77484

Important Information

Index

Functional Parts List	3
Illustration and Parts	4 - 13

Views shown are for parts illustrations only, not servicing procedures.

Text Codes:

AR - As Required

NA - Not Available

NS - Not Shown

00000000 - See Note

QTY - Quantity Example (QTY 3) (If Quantity not shown, Quantity = 1)

M - Model Example (M1) (If M Code not shown, then part is used on all Models)

Expanded Model Nomenclature:

Example M1 - Model#1 M2 - Model#2 M3 - Model#3

Goodman Manufacturing Company, L.P. is not responsible for personal injury or property damage resulting from improper service. Review all service information before beginning repairs.

Warranty service must be performed by an authorized technician, using authorized factory parts. If service is required after the warranty expires, Goodman Manufacturing Company, L.P. also recommends contacting an authorized technician and using authorized factory parts.

Goodman Manufacturing Company, L.P. reserves the right to discontinue, or change at any time, specifications or designs without notice or without incurring obligations.

For assistance within the U.S.A. contact:
Homeowner Support
Goodman Manufacturing Company, L.P.
19001 Kermier Road
Waller, Texas 77484
877-254-4729-Telephone
713-863-2382-Facsimile

For assistance outside the U.S.A. contact:
International Division
Goodman Manufacturing Company, L.P.
19001 Kermier Road
Waller, Texas 77484
713-861-2500-Telephone
713-863-2382-Facsimile

Functional Parts

Part

No: Description:

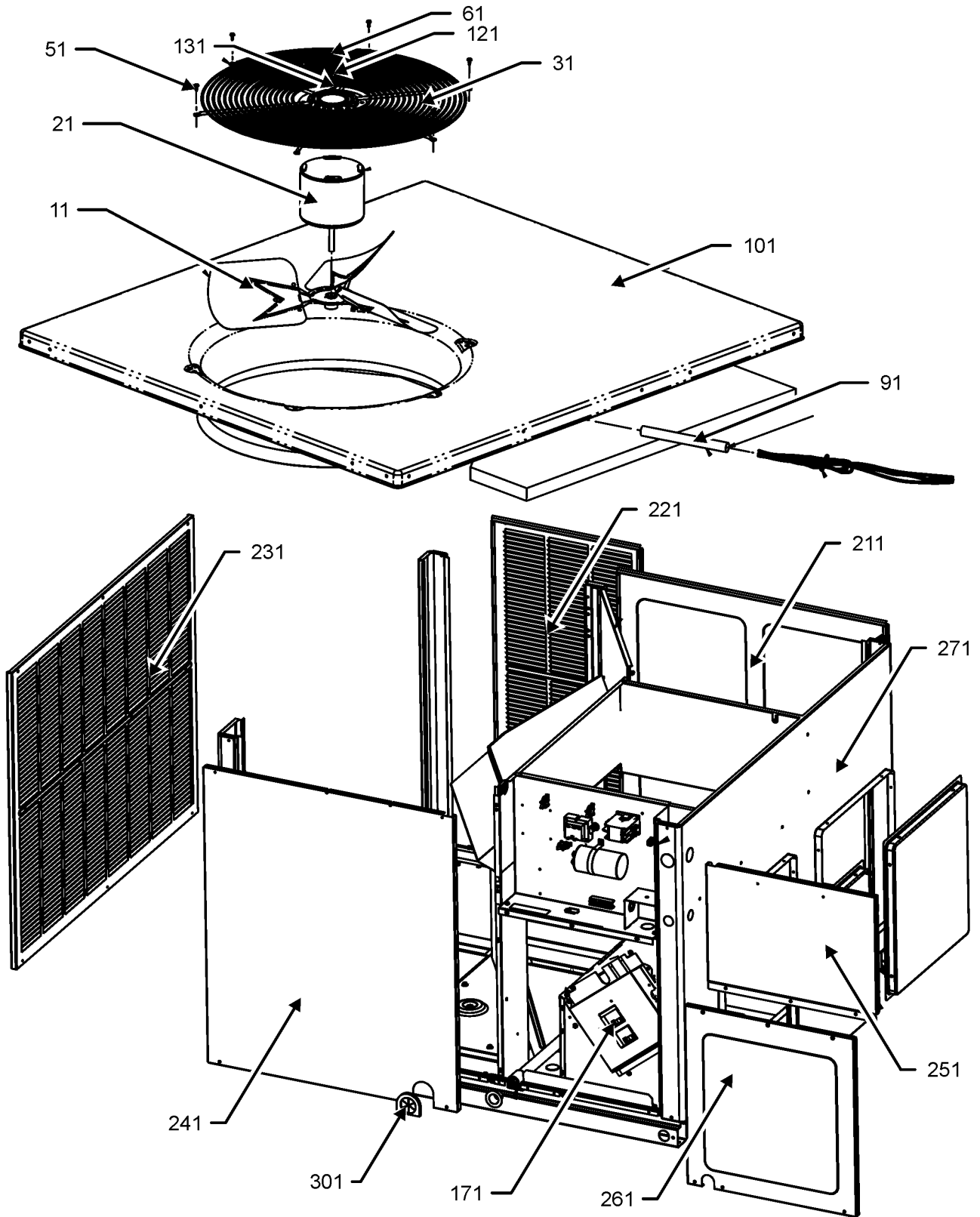
CAP100350370RS	CAP, 10/35 MFD/370/DUAL RD (M5)
CAB050350440CS	CAP, 5/35 MFD/440V RD - BPRF (M1, M2, M3, M4)
YPS35K1TPFVASC	COMPRESSOR (M3)
YPS26K1TPFVASE	COMPRESSOR (M2)
YPS40K1TPFVASC	COMPRESSOR (M4, M5)
YP21K1TPFVASE	COMPRESSOR (M1)
CONT1P030024D	CONT, 1 POLE, 30 AMP, 24VAC (M1, M2, M3)
CONT2P040024D	CONT, 2 POLE, 40 AMP, 24VAC (M4, M5)
0130M00197	CONTROL DEFROST
0131M00750M	CONTROLLERLESS MOTOR (M1, M2)
0131M00747M	CONTROLLERLESS MOTOR (M3, M4, M5)
0163R00022	HEATER, CRANKCASE (M1, M2)
0163R00021	HEATER, CRANKCASE (M3, M4, M5)
0130M00075	LOW PRESSURE SWITCH
0131M00430	MOTOR, 1/3 HP, 1 SP, 6 PL (M5)
0131M00847	MOTOR, 1/4 HP, 1 SP, 6 PL (M3, M4)
0131M00836	MOTOR, 1/4HP,1SP,8PL,AL (M1, M2)
PCBCM301V0001	PCB CONTROL AIR HANDLER
PCBDM133	PCB DEFROST CONTROL
0131G00175	PROGRAMMED CONTROLLER (M1)
0131G00176	PROGRAMMED CONTROLLER (M2)
0131G00179	PROGRAMMED CONTROLLER (M4, M5)
0131G20023	PROGRAMMED CONTROLLER (M3)
0130M00242	RELAY 24V (M2, M3, M4, M5)
0151R00068	REVERSING VALVE (M4, M5)
0151R00099	REVERSING VALVE (M1, M2, M3)
SER2A08012	SENSATA R32 SENSOR
0130M00199	SWITCH CRANK CASE HEATER
0130M00138	TRANSFORMER 208/230 24V
0151G20023	VALVE, TXV[COND COIL] (M3)
0151G20021	VALVE, TXV[COND COIL] (M1)
0151G20024	VALVE, TXV[COND COIL] (M4)
0151G20025	VALVE, TXV[COND COIL] (M5)
0151G20022	VALVE, TXV[COND COIL] (M2)
0151G20012	VALVE, TXV[EVAP COIL] (M1)
0151G20013	VALVE, TXV[EVAP COIL] (M2)
0151G20014	VALVE, TXV[EVAP COIL] (M3)
0151G20016	VALVE, TXV[EVAP COIL] (M5)
0151G20015	VALVE, TXV[EVAP COIL] (M4)

Expanded Model Nomenclature

M1 - GPHM52431AA
M2 - GPHM53031AA
M3 - GPHM53631AA
M4 - GPHM54231AA
M5 - GPHM54831AA

TOP PANEL AND CABINET ASSEMBLY

TOP PANEL AND CABINET ASSEMBLY



TOP PANEL AND CABINET ASSEMBLY MAY DIFFER FROM WHAT IS SHOWN

TOP PANEL AND CABINET ASSEMBLY

Ref. Part No:	Part No:	Description:	Ref. Part No:	Part No:	Description:
---------------	----------	--------------	---------------	----------	--------------

Image 1:

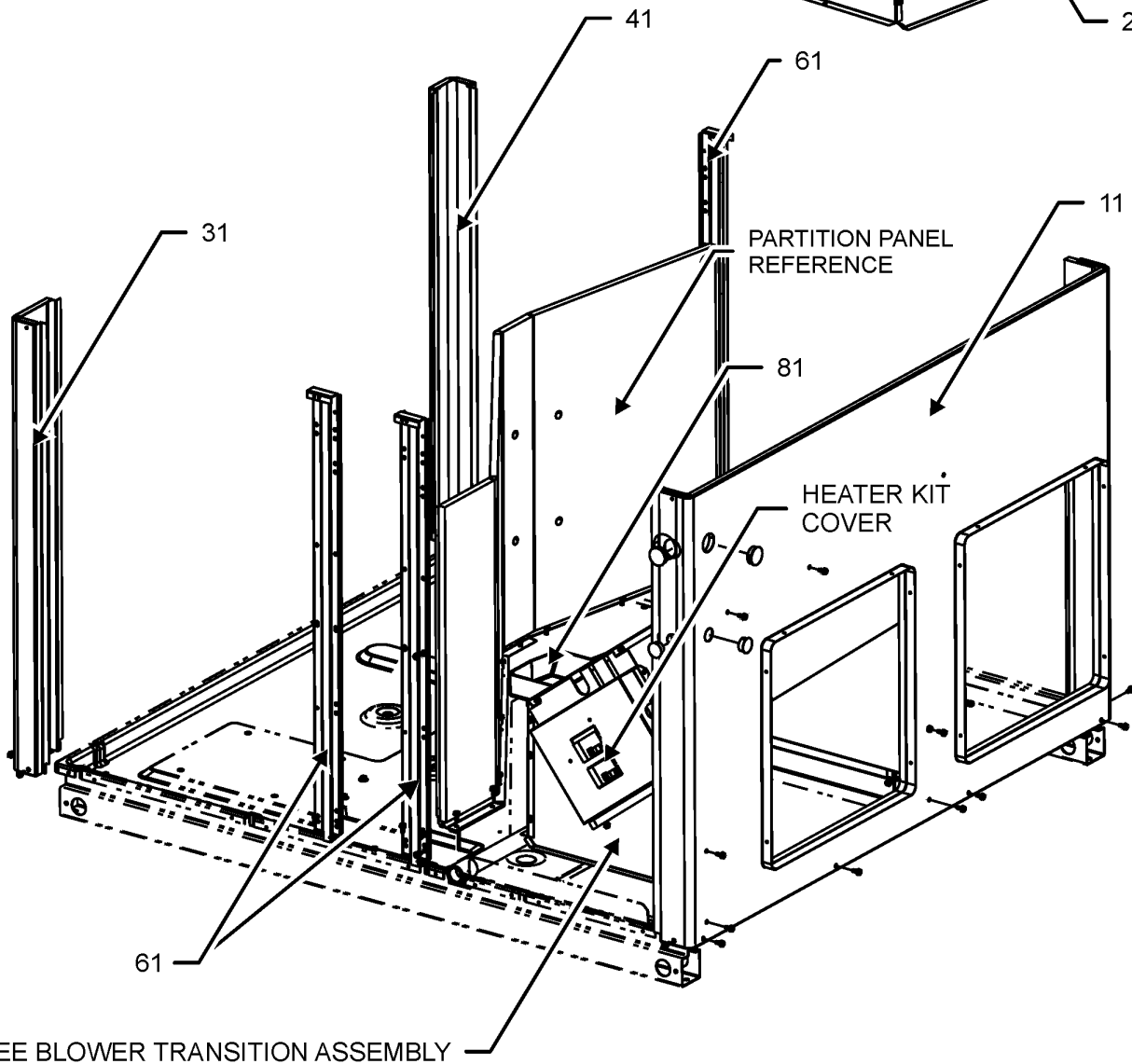
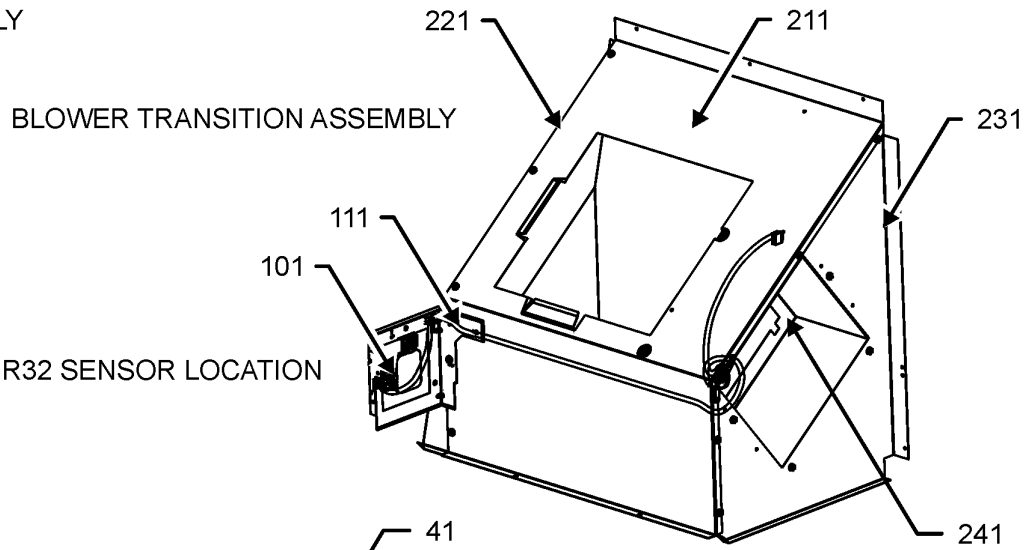
11	0150G00003	BLADE, FAN 26 SWEPT WING (M1)			
11	0150G00002	FAN BLADE SWP/W (M2, M3, M4, M5)			
21	0131M00430	MOTOR, 1/3 HP, 1 SP, 6 PL (M5)			
21	0131M00847	MOTOR, 1/4 HP, 1 SP, 6 PL (M3, M4)			
21	0131M00836	MOTOR, 1/4HP,1SP,8PL,AL (M1, M2)			
31	0152G00000	FAN GRILLE RAISED			
51	M0221817	SCREW SM (QTY 6)			
61	0163M00006P	NUT ACORN 5/16 HEX BLACK (QTY 4)			
91	0161R00123	CONDUIT			
101	0121G00887PDG	PNL TOP PNT			
121	0163M00005P	WASHER BLACK .50 OD .218ID (QTY 4)			
131	M0272803	WASHER LOCK			
171	0121G00725	COVER HK (QTY 2)			
211	20464801PDG	DOOR - BLOWER 32 W/PAINT (M1, M2)			
211	20464806PDG	DOOR - BLOWER 40 W/PAINT (M3, M4, M5)			
221	20467701PDG	PANEL - COND SIDE 32 W/PAINT (M1, M2)			
221	20467702PDG	PANEL - COND SIDE 40 W/PAINT (M3, M4, M5)			
231	0121G00728DG	PANEL-COND LOUVERED 32 (M1, M2)			
231	0121G00729DG	PANEL-COND LOUVERED 40 (M3, M4, M5)			
241	0121G00658DG	COMPRESSOR PANEL (M1, M2)			
241	0121G00659DG	COMPRESSOR PANEL (M3, M4, M5)			
251	0121G20040DG	PAINTED, PANEL, CB CNVRT			
261	0121G20039DG	PAINTED, BLOWER PNL CNVRT 32.5 (M1, M2)			
261	0121G00883DG	PNL, PAINTED 40" BLWR (M3, M4, M5)			
271	0121G00800DG	PNL, DUCT, CNVRT, 32.5" PNT (M1, M2)			
271	0121G00801DG	PNL, DUCT, CNVRT, 40" PNT (M3, M4, M5)			
301	0164G00005	GROMMET HORSESHOE 1.675			
NS	0164M00111	GROMMET D			
NS	B1392012	GROMMET HS 1.0 - .79			

Expanded Model Nomenclature

M1 - GPHM52431AA
M2 - GPHM53031AA
M3 - GPHM53631AA
M4 - GPHM54231AA
M5 - GPHM54831AA

PARTITION ASSEMBLY

PARTITION ASSEMBLY



PARTITION ASSEMBLY MAY DIFFER FROM WHAT IS SHOWN

PARTITION ASSEMBLY

Ref. Part No:	No:	Description:	Ref. Part No:	No:	Description:
---------------	-----	--------------	---------------	-----	--------------

Image 1:

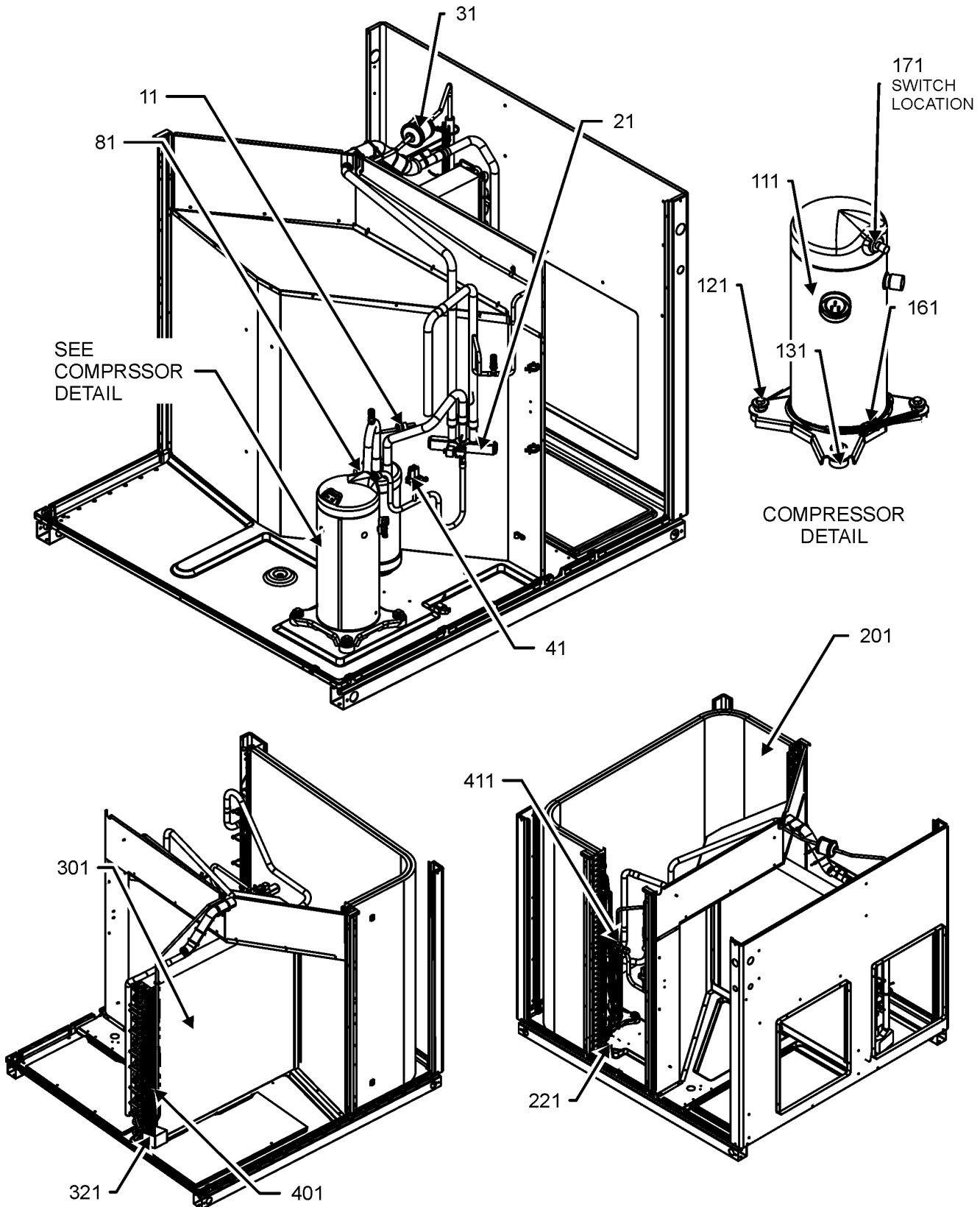
11	0121G00800DG	PNL, DUCT, CNVRT, 32.5" PNT (M1, M2)
11	0121G00801DG	PNL, DUCT, CNVRT, 40" PNT (M3, M4, M5)
31	20464201PDG	CRNR POST-COMP END 32 W/PAINT (M1, M2)
31	20464202PDG	CRNR POST-COMP END 40 W/PAINT (M3, M4, M5)
41	20464301PDG	CRNR POST-HPIN END 32 W/PAINT (M1, M2)
41	20464302PDG	CRNR POST-HPIN END 40 W/PAINT (M3, M4, M5)
61	0121G00460	POST-SUPPORT, SIDE (M1, M2)
61	0121G00615	POST-SUPPORT, SIDE 40 (M3, M4, M5)
81	0161G00003	DRIP PAN PLASTIC
101	SER2A08012	SENSATA R32 SENSOR
111	0121G20000	BRACKET R32 SENSOR
211	0121G20001	SHROUD BLOWER
221	0121G00161	SHRD BLO MID
231	0121G00162	PL TNSN SIDE
241	0121G20011	MOUNT BLOWER

Expanded Model Nomenclature

M1 - GPHM52431AA
M2 - GPHM53031AA
M3 - GPHM53631AA
M4 - GPHM54231AA
M5 - GPHM54831AA

TUBING ASSEMBLY

TUBING ASSEMBLY



TUBING ASSEMBLY

Ref. Part No:	Part No:	Description:	Ref. Part No:	Part No:	Description:
---------------	----------	--------------	---------------	----------	--------------

Image 1:

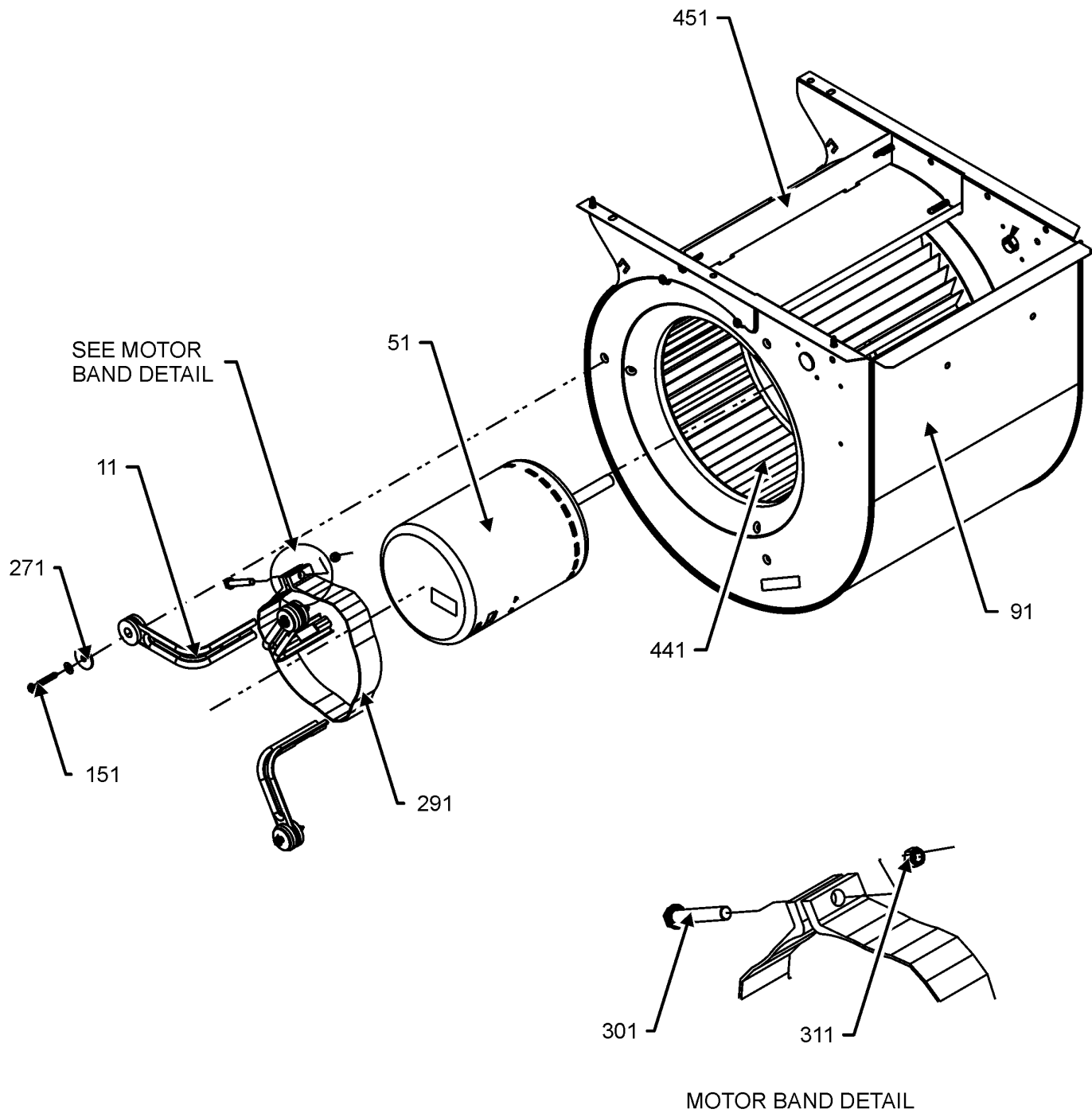
11	0130M00075	LOW PRESSURE SWITCH
21	0151R00068	REVERSING VALVE (M4, M5)
21	0151R00099	REVERSING VALVE (M1, M2, M3)
31	0162R00056	FILTER/DRIER BI FLOW
41	0130M20009	HIGH PRESSURE SWITCH
81	B1226206	ACCUMULATOR (M1, M2)
81	B1226207	ACCUMULATOR (M3, M4, M5)
111	YP21K1TPFVASE	COMPRESSOR (M1)
111	YPS26K1TPFVASE	COMPRESSOR (M2)
111	YPS35K1TPFVASC	COMPRESSOR (M3)
111	YPS40K1TPFVASC	COMPRESSOR (M4, M5)
121	B1339533	GROMMET COMPRESSOR SCROLL (QTY 4)
131	M0221641	SCREW SHOULD TF (QTY 4)
161	0163R00021	HEATER, CRANKCASE (M3, M4, M5)
161	0163R00022	HEATER, CRANKCASE (M1, M2)
171	0130M00199	SWITCH CRANK CASE HEATER
201	0201G20008	COND COIL ASSEMBLY (M3)
201	0201G20012	COND COIL ASSEMBLY (M2)
201	0201G20013	COND COIL ASSEMBLY (M4)
201	0201G20014	COND COIL ASSEMBLY (M5)
201	0201G20037	COND COIL ASSEMBLY (M1)
221	0130M00197	CONTROL DEFROST
301	0202G20029	COIL TUBING ASSEMBLY (M3)
301	0202G20030	COIL TUBING ASSEMBLY (M1)
301	0202G20036	COIL TUBING ASSEMBLY (M4)
301	0202G20037	COIL TUBING ASSEMBLY (M5)
301	0202G20038	COIL TUBING ASSEMBLY (M2)
321	0121G00509	SHIELD DRIP
401	0151G20012	VALVE, TXV[EVAP COIL] (M1)
401	0151G20013	VALVE, TXV[EVAP COIL] (M2)
401	0151G20014	VALVE, TXV[EVAP COIL] (M3)
401	0151G20015	VALVE, TXV[EVAP COIL] (M4)
401	0151G20016	VALVE, TXV[EVAP COIL] (M5)
411	0151G20021	VALVE, TXV[COND COIL] (M1)
411	0151G20022	VALVE, TXV[COND COIL] (M2)
411	0151G20023	VALVE, TXV[COND COIL] (M3)
411	0151G20024	VALVE, TXV[COND COIL] (M4)
411	0151G20025	VALVE, TXV[COND COIL] (M5)
NS	B1373315	ACCESS FITTING (QTY 2)
NS	0159G00001	CABLE COMPR SOL (M2, M3, M4, M5)
NS	0159G00004	HARNESS-COMP SCROLL (M3, M4, M5)
NS	0159G00014	HARNESS-COMP SCROLL (M1, M2)
NS	0163M00629	RED CAP WITH O RING (QTY 2)
NS	B1225022	Solenoid Coil

Expanded Model Nomenclature

M1 - GPHM52431AA
M2 - GPHM53031AA
M3 - GPHM53631AA
M4 - GPHM54231AA
M5 - GPHM54831AA

BLOWER ASSEMBLY

BLOWER ASSEMBLY



BLOWER ASSEMBLY MAY DIFFER FROM WHAT SHOWN

BLOWER ASSEMBLY

Ref. Part No:	No:	Description:	Ref. Part No:	No:	Description:
---------------	-----	--------------	---------------	-----	--------------

Image 1:

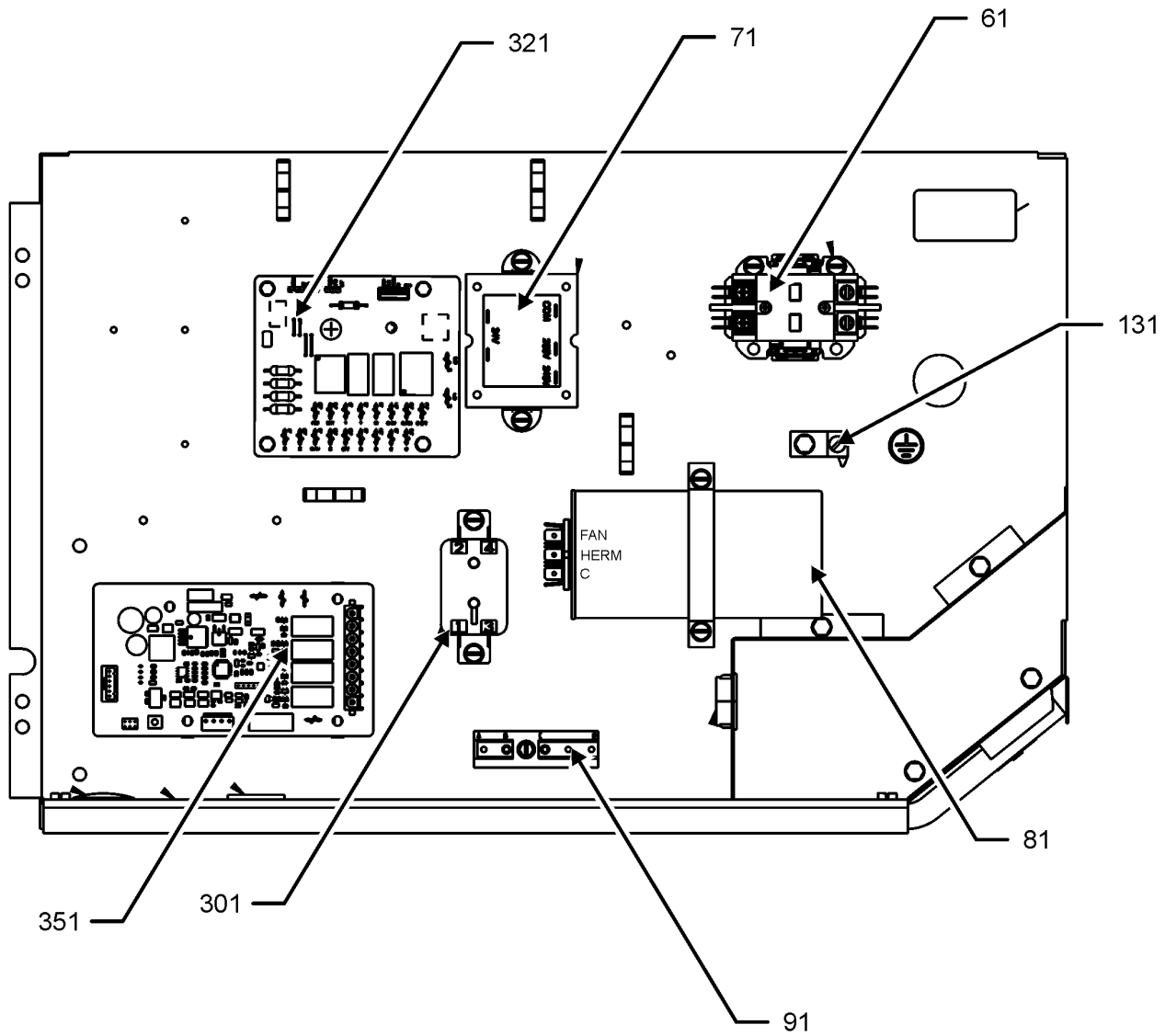
11	B1376857	MOTOR MOUNT ARM (QTY 3)
51	0131M00747M	CONTROLLERLESS MOTOR (M3, M4, M5)
51	0131M00750M	CONTROLLERLESS MOTOR (M1, M2)
51	0131G00175	PROGRAMMED CONTROLLER (M1)
51	0131G00176	PROGRAMMED CONTROLLER (M2)
51	0131G00179	PROGRAMMED CONTROLLER (M4, M5)
51	0131G20023	PROGRAMMED CONTROLLER (M3)
91	0271G00024	BLOWER HOUSING ASSY 10X9
151	M0250565	SCREW TC 1.25 (QTY 3)
271	B1392918	WASHER FLAT 1/4 ID X 1 OD (QTY 3)
291	0121M00038	MOUNT BAND MOTOR
301	B1393323	SCREW MACH HWH 1/4 20X1 1/2BZ
311	B1393800	LOCKNUT NYLON INSERT 1/4 20
441	D6723303	WHEEL BLOWER
451	764742	BLOCK OFF - BLOWER
NS	0259G00155	BLOWER HARNESS ASSEMBLY
NS	M0221817	SCREW SM

Expanded Model Nomenclature

M1 - GPHM52431AA
M2 - GPHM53031AA
M3 - GPHM53631AA
M4 - GPHM54231AA
M5 - GPHM54831AA

CONTROL BOX ASSEMBLY

CONTROL BOX ASSEMBLY



CONTROL BOX ASSEMBLY MAY DIFFER FROM WHAT IS SHOWN

CONTROL BOX ASSEMBLY

Ref. Part No:	No:	Description:	Ref. Part No:	No:	Description:
---------------	-----	--------------	---------------	-----	--------------

Image 1:

61	CONT1P030024D	CONT, 1 POLE, 30 AMP, 24VAC (M1, M2, M3)
61	CONT2P040024D	CONT, 2 POLE, 40 AMP, 24VAC (M4, M5)
71	0130M00138	TRANSFORMER 208/230 24V
81	CAP100350370RS	CAP, 10/35 MFD/370/DUAL RD (M5)
81	CAB050350440CS	CAP, 5/35 MFD/440V RD - BPRF (M1, M2, M3, M4)
91	802007090	TERM BOARD
131	B1378533	LUG, GROUND SMALL, 4T
301	0130M00242	RELAY 24V (M2, M3, M4, M5)
321	PCBDM133	PCB DEFROST CONTROL
351	PCBCM301V0001	PCB CONTROL AIR HANDLER
NS	B1392012	GROMMET / HS 1.0 - .79
NS	0159G00004	HARNESS-COMP SCROLL (M3, M4, M5)
NS	0159G00014	HARNESS-COMP SCROLL (M1, M2)
NS	20520901	STRAP-CAPACITOR

Expanded Model Nomenclature

M1 - GPHM52431AA
M2 - GPHM53031AA
M3 - GPHM53631AA
M4 - GPHM54231AA
M5 - GPHM54831AA