
Aurora & Standard 3 - 5 Port Multi OD Unit

3MXT24AVJU9
3MXTH24AVJU9
4MXT36AVJU9
4MXTH36AVJU9
5MXM48AVJU9
5MXT40AVJU9
5MXTH40AVJU9



This manual is to be used by qualified technicians only.

Important Information

Index

Functional Parts List	3
Illustration and Parts	4 - 17

Views shown are for parts illustrations only, not servicing procedures.

Text Codes:

AR - As Required

NA - Not Available

NS - Not Shown

00000000 - See Note

QTY - Quantity Example (QTY 3) (If Quantity not shown, Quantity = 1)

M - Model Example (M1) (If M Code not shown, then part is used on all Models)

Expanded Model Nomenclature:

Example
M1 - Model#1
M2 - Model#2
M3 - Model#3

Daikin Comfort Technologies Manufacturing , Inc. is not responsible for personal injury or property damage resulting from improper service. Review all service information before beginning repairs.

Warranty service must be performed by an authorized technician, using authorized factory parts. If service is required after the warranty expires, Daikin Comfort Technologies Manufacturing , Inc. also recommends contacting an authorized technician and using authorized factory parts.

Daikin Comfort Technologies Manufacturing , Inc. reserves the right to discontinue, or change at any time, specifications or designs without notice or without incurring obligations.

For assistance within the U.S.A. contact:
Homeowner Support
Daikin Comfort Technologies Manufacturing , Inc.
19001 Kermier Road
Waller, Texas 77484
855-770-5678-Telephone
713-863-2382-Facsimile

For assistance outside the U.S.A. contact:
International Division
Daikin Comfort Technologies Manufacturing , Inc.
19001 Kermier Road
Waller, Texas 77484
713-861-2500-Telephone
713-863-2382-Facsimile

Functional Parts

Part

No: Description:

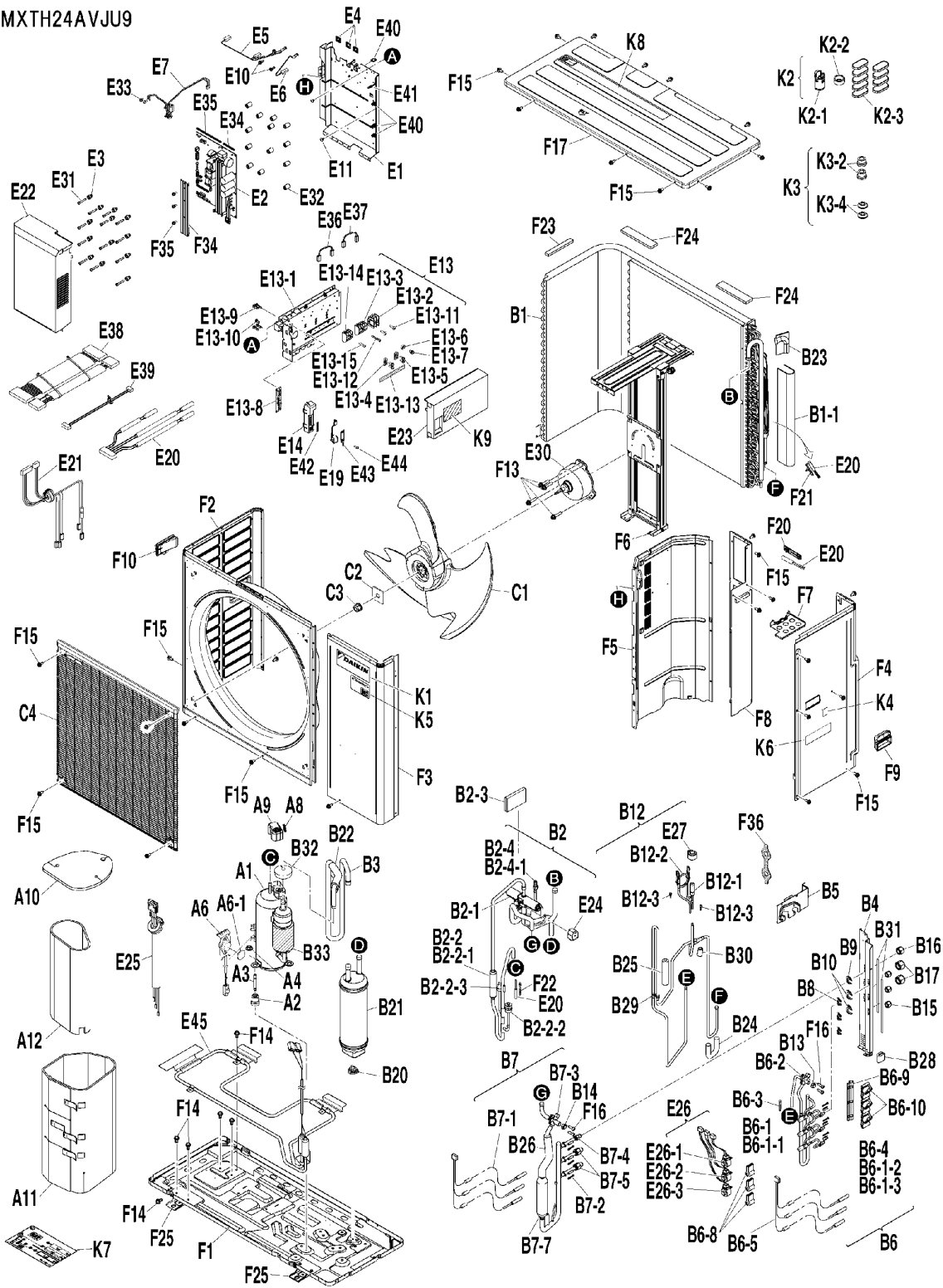
2563525	COMPRESSOR ASSY.
2570015	DC FAN MOTOR ASSY.
1721122	FUSIBLE PLUG
2534983	HIGH PRESSURE SWITCH
2276029	PRESSURE SENSOR
2570569	PRINTED CIRCUIT BOARD ASSY. (M1)
2570522	PRINTED CIRCUIT BOARD ASSY. (M5)
2570521	PRINTED CIRCUIT BOARD ASSY. (M3)
2570520	PRINTED CIRCUIT BOARD ASSY. (M2)
2570519	PRINTED CIRCUIT BOARD ASSY. (M4)
2570518	PRINTED CIRCUIT BOARD ASSY. (M7)
2570516	PRINTED CIRCUIT BOARD ASSY. (M6)
6025165	PRINTED CIRCUIT BOARD ASSY. (SERVICE)

Expanded Model Nomenclature

M1 - 3MXTH24AVJU9
M2 - 3MXT24AVJU9
M3 - 4MXTH36AVJU9
M4 - 4MXT36AVJU9
M5 - 5MXM48AVJU9
M6 - 5MXTH40AVJU9
M7 - 5MXT40AVJU9

3MXTH24AVJU9

3MXTH24AVJU9



Picture Key	
Ref #	Picture #
1	A1
2	A2
3	A3
4	A4
5	A5
6	A6-1
7	A8
8	A9
9	A10
10	A11
11	A12
12	B1
13	B1-1
14	B2
15	B2-1
16	B2-2
17	B2-2-1
18	B2-2-2
19	B2-2-3
20	B2-4
21	B2-4-1
22	B2-4-1
23	B3
24	B3
25	B3
26	B6
27	B6-1
28	B6-1-1
29	B6-1-2
30	B6-1-3
31	B6-2
32	B6-3
33	B6-4
34	B6-5
35	B6-6
36	B6-8
37	B6-10
38	B7
39	B7-1
40	B7-2
41	B7-3
42	B7-4
43	B7-5
44	B7-7
45	B8
46	B9
47	B10
48	B12
49	B12-1
50	B12-2
51	B12-3
52	B13
53	B14
54	B15
55	B16
56	B17
57	B20
58	B21
59	B22
60	B23
61	B24
62	B25
63	B26
64	B28
65	B30
66	B31
67	B32
68	B33
69	B34
70	C1
71	C2
72	C3
73	C4
74	E1
75	E2
76	E3
77	E4
78	E5
79	E6
80	E7
81	E8
82	E9
83	E10
84	E11
85	E13-1
86	E13-2
87	E13-3
88	E13-4
89	E13-5
90	E13-6
91	E13-7
92	E13-8
93	E13-9
94	E13-10
95	E13-11
96	E13-12
97	E13-13
98	E13-14
99	E13-15
100	E19
101	E20
102	E21
103	E22
104	E23
105	E24
106	E25
107	E26
108	E26-1
109	E26-2
110	E26-3
111	E30
112	E31
113	E32
114	E33
115	E34
116	E35
117	E36
118	E37
119	E38
120	E39
121	E40
122	E41
123	E42
124	E43
125	E44
126	E45
127	F1
128	F2
129	F3
130	F4
131	F5
132	F6
133	F7
134	F8
135	F9
136	F10
137	F13
138	F14
139	F15
140	F16
141	F17
142	F20
143	F22
144	F23
145	F24
146	F25
147	F25
148	F25
149	F25
150	F25
151	K1
152	K2
153	K2-1
154	K2-2
155	K2-3
156	K3
157	K3-2
158	K3-4
159	K4
160	K5
161	K6
162	K7
163	K8
164	K9

3MXTH24AVJU9

Ref. Part No:	Ref. Part No:	Description:	Description:
Image 1:		Image 1:	
1	2563525	COMPRESSOR ASSY. (M1)	58 2433233 ACCUMULATOR ASSY. (M1)
2	2115782	VIBRATION ISOLATOR (M1)	59 2570026 PUTTY (SUCTION PIPE) (M1)
3	2119809	COMPRESSOR MOUNTING BOLT (M1)	60 1630613 CUSHION MATERIAL (M1)
4	4010410	WASHER (NUT WITH WASHER) (M1)	61 2433257 THERMAL INSULATION TUBE (M1)
5	2433017	RETAINER ASSY. (M1)	62 2433264 THERMAL INSULATION TUBE (M1)
6	2428527	RADIATION SHEET (M1)	63 2547648 THERMAL INSULATION TUBE (M1)
7	040139J	RUBBER BUSH/ LEAD WIRE (M1)	64 NA CUSHION MATERIAL (2) (M1)
8	2425597	TERMINAL COVER (M1)	65 2433132 PIPING FIXTURE (M1)
9	2433024	SOUND INSULATION (TOP) (M1)	66 2433149 THERMAL INSULATION TUBE (M1)
10	2570021	SOUND INSULATION (SLEEVE) (M1)	67 NA LABEL (SNAP) (M1)
11	2570022	SOUND INSULATION (INSIDE SLEEVE) (M1)	68 2567109 SOUNDPROOF PUTTY (M1)
12	2569997	HEAT EXCHANGER ASSY. (M1)	69 2532934 SOUNDPROOF PUTTY (M1)
13	NA	PUTTY (HEAT EXCHANGER) (M1)	70 2433271 PROPELLER FAN (M1)
14	NA	FOUR WAY VALVE ASSY. (M1)	71 2569111 FAN ROTATION STOPPER (M1)
15	2564690	FOUR WAY VALVE BODY (M1)	72 847003J LOCK NUT/ FAN (M1)
16	NA	DISCHARGE PIPE ASSY. (M1)	73 2433288 DISCHARGE GRILLE ASSY. (M1)
17	2433079	MUFFLER (M1)	74 2433295 EL. COMPO. MOUNTING PLATE (M1)
18	2534983	HIGH PRESSURE SWITCH (M1)	75 2570569 PRINTED CIRCUIT BOARD ASSY. (M1)
19	2276029	PRESSURE SENSOR (M1)	76 109994J SUPPORTING BUSH (M1)
20	2540629	PUTTY (HEAT RESISTANT) (M1)	77 094708J EDGE SADDLE (M1)
21	NA	CONNECTION PIPE (4V-ACC) ASSY. (M1)	78 2570002 EARTH WIRE (M1)
22	1721122	FUSIBLE PLUG (M1)	79 2570003 EARTH WIRE (M1)
23	NA	SUCTION PIPE (M1)	80 2570004 WIRE HARNESS ASSY. (POWER) (M1)
24	2570029	STOP VALVE MOUNTING PLATE (M1)	81 NA GROUNDING TERMINAL (M1)
25	2433093	STOP VALVE MOUNTING PLATE (UPPER) (M1)	82 NA TAPPING SCREW (M1)
26	2570030	HEADER ASSY(LIQUID) (M1)	83 2570034 MOUNTING PLATE (TERMINAL STRIP) (M1)
27	2570000	ELECTRONIC EXP. VALVE ASSY. (M1)	84 2433365 MOUNTING PLATE (TERMINAL BLOCK) (M1)
28	2533579	BODY/ ELECTRONIC EXP. VALVE (M1)	85 2425751 TERMINAL BLOCK (M1)
29	060321J	UNION JOINT (M1)	86 2371498 TERMINAL BLOCK (M1)
30	131823J	STRAINER (FOR REF.) (M1)	87 1786749 WASHER (FOR EARTH) (M1)
31	2433118	LIQUID STOP VALVE ASSY. (M1)	88 NA DOUBLE WASHER MACHINE SCREW (M1)
32	008529J	STRAINER (FOR REF.) (M1)	89 071124J CUPLING WASHER (M1)
33	1303896	FIXTURE/ THERMISTOR (M1)	90 119839J TAPPING SCREW (M1)
34	2570031	THERMISTOR ASSY(LIQ) (M1)	91 6025165 PRINTED CIRCUIT BOARD ASSY. (SERVICE) (M1)
35	2533582	PUTTY (M1)	92 1728464 SPACER (PCB) (M1)
36	NA	PUTTY (LH) (M1)	93 2115472 SPACER (PCB) (M1)
37	4020240	PUTTY (EV) (M1)	94 NA TAPPING SCREW (M1)
38	2570032	HEADER ASSY. (GAS) (M1)	95 NA PAN HEAD MACHINE SCREW (M1)
39	2570033	THERMISTOR ASSY. (GAS) (M1)	96 2570035 INDICATION LABEL (TERMINAL) (M1)
40	380120J	FITTING SPRING/ THERMISTOR (M1)	97 4018105 TERMINAL BLOCK (POWER SUPPLY) (M1)
41	2433163	GAS STOP VALVE ASSY. (SUB) (M1)	98 NA PAN HEAD TAPPING SCREW (M1)
42	2433187	SINGLE UNION JOINT ASSY. (M1)	99 6026826 COVER (M1)
43	2433194	SINGLE UNION JOINT ASSY. (M1)	100 2433389 SWITCH COVER (M1)
44	2433219	MUFFLER (M1)	101 2570006 THERMISTOR ASSY. (M1)
45	2547383	RETAINER/ UNION JOINT (M1)	102 2570036 WIRE HARNESS ASSY. (M1)
46	2547384	RETAINER/ UNION JOINT (M1)	103 2433411 DRIP PROOF PLATE (FRONT) (M1)
47	2547385	RETAINER/ UNION JOINT (M1)	104 2433428 DRIP PROOF PLATE (RIGHT) (M1)
48	2570001	ELECTRONIC EXP. VALVE ASSY. (BYPASS) (M1)	105 2433435 4-WAY VALVE COIL ASSY. (M1)
49	2533579	BODY/ ELECTRONIC EXP. VALVE (M1)	106 2433442 WIRE HARNESS (FOR COMP.) (M1)
50	NA	CAPILLARY TUBE (BYPASS) (M1)	107 2570037 COIL/ EL. EXPANSION VALVE ASSY. (M1)
51	111167J	STRAINER (M1)	108 2570009 COIL/ EL. EXPANSION VALVE (M1)
52	2158703	VALVE CAP (M1)	109 2570010 COIL/ EL. EXPANSION VALVE (M1)
53	2159232	VALVE CAP (M1)	110 2570011 COIL/ EL. EXPANSION VALVE (M1)
54	1723546	FLARE NUT (M1)	111 2570014 COIL/ EL. EXP. VALVE ASSY. (BYPASS) (M1)
55	119848J	FLARE NUT (M1)	112 2570015 DC FAN MOTOR ASSY. (M1)
56	119849J	FLARE NUT (M1)	113 NA PAN HEAD MACHINE SCREW (M1)
57	161975J	CUSHION RUBBER (M1)	114 2079110 INSULATING SUPPORT (M1)

3MXTH24AVJU9

**Ref. Part
No: No:**

Description:

**Ref. Part
No: No:**

Description:

Image 1:

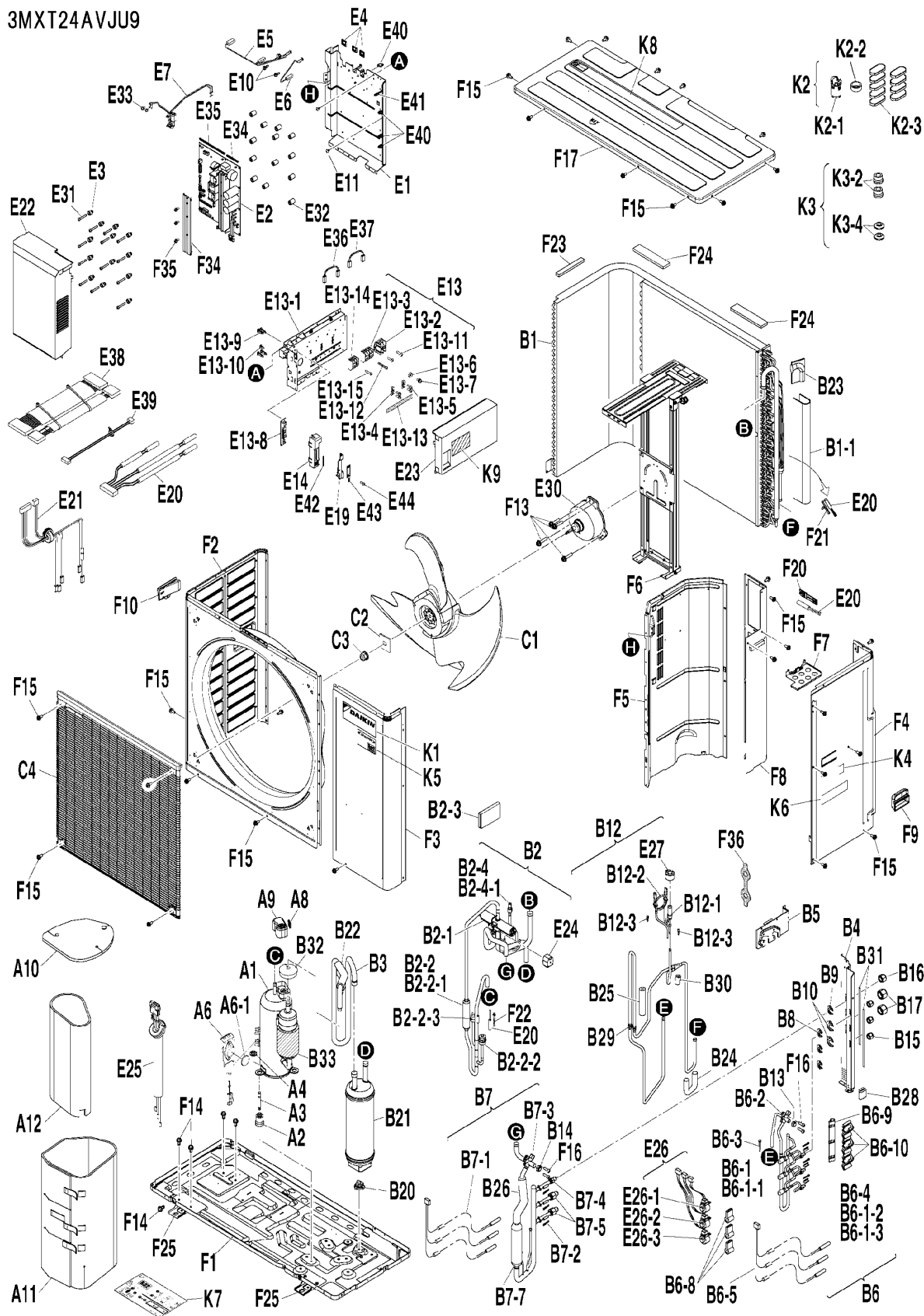
115	NA	TAPPING SCREW (M1)
116	2433512	WIRING PROTECTION BUSH (EDGING) (M1)
117	2433529	WIRING PROTECTION BUSH (EDGING) (M1)
118	2561310	WIRE HARNESS (TERMINAL STRIP) (M1)
119	2561311	WIRE HARNESS (TERMINAL STRIP) (M1)
120	2433536	WIRE HARNESS ASSY. (SERVICE PCB) (M1)
121	2570005	WIRE HARNESS (PCB-OL CONNECTION) (M1)
122	027843J	WIRE CLIP (M1)
123	0980106	HARNESS LIFTER (M1)
124	2570512	INDICATION LABEL (SERVICE PCB) (M1)
125	NA	INDICATION LABEL (SWITCH COVER) (M1)
126	040908J	TRUSS HEAD SCREW (M1)
127	2433567	BOTTOM FRAME ASSY. (M1)
128	2433574	FRONT PLATE (1) (M1)
129	2570016	FRONT PLATE (2) (M1)
130	2570017	RIGHT SIDE PLATE ASSY. (M1)
131	2570018	PARTITION PLATE ASSY. (M1)
132	2570019	FAN MOTOR STAND ASSY. (M1)
133	2433620	PARTITION PLATE ASSY. (2) (M1)
134	2570020	REAR PLATE ASSY. (M1)
135	092045J	HANDLE (M1)
136	2433644	HANDLE (LEFT) (M1)
137	2120405	HEX TAPPING SCREW (3) (M1)
138	131453J	TRUSS HEAD TAPPING SCREW (M1)
139	NA	HEX HEAD TAPPING SCREW (M1)
140	NA	PAN HEAD TAPPING SCREW (M1)
141	2433651	TOP PLATE ASSY. (M1)
142	2546498	THERMISTOR FIXING PLATE (M1)
143	380120J	FITTING SPRING/ THERMISTOR (M1)
144	042396J	FITTING SPRING/ THERMISTOR (M1)
145	2433668	CUSHION MATERIAL (HEAT EXCHANGER) (M1)
146	2433675	CUSHION MATERIAL (HEAT EXCHANGER 2) (M1)
147	2433682	INSTALLATION LEG (M1)
148	6024610	COVER/ JACKET (M1)
149	4016867	HEX BOLT (M1)
150	2570023	SIDE CAP (TBM SERVICE PORT)(SNAP) (M1)
151	2570024	BRAND NAME LABEL (M1)
152	NA	ACCESSORY SET (DRAIN SOCKET) (M1)
153	2433699	DRAIN SOCKET (M1)
154	2433707	DRAIN JOINT (M1)
155	2433714	CAP (DRAIN) (M1)
156	NA	REDUCER ASSY. (M1)
157	257712J	GASKET/ REDUCING JOINT (M1)
158	257709J	GASKET/ REDUCING JOINT (M1)
159	NA	PRODUCT LIABILITY CAUTION LABEL (M1)
160	4015454	LABEL NAME PLATE (INVERTER/ R32) (M1)
161	NA	CAUTION LABEL (DUCT) (M1)
162	2561739	ADDITIONAL REFR. CHARGE LABEL (M1)
163	NA	CAUTION LABEL (SUPERCARGO) (M1)
164	NA	CAUTION LABEL (ELECTRIC SHOCK) (M1)

Expanded Model Nomenclature

M1 - 3MXTH24A VJU9
M2 - 3MXT24A VJU9
M3 - 4MXTH36A VJU9
M4 - 4MXT36A VJU9
M5 - 5MXM48A VJU9
M6 - 5MXTH40A VJU9
M7 - 5MXT40A VJU9

3MXT24AVJU9

3MXT24AVJU9



Ref #	Picture #
1	A1
2	A2
3	A3
4	A4
5	A6
6	A6-1
7	A8
8	A9
9	A10
10	A11
11	A12
12	B1
13	B1-1
14	B2
15	B2-1
16	B2-2
17	B2-2-1
18	B2-2-2
19	B2-2-3
20	B2-3
21	B2-4
22	B2-4-1
23	B3
24	B4
25	B5
26	B6
27	B6-1
28	B6-1-1
29	B6-1-2
30	B6-1-3
31	B6-2
32	B6-3
33	B6-4
34	B6-5
35	B6-6
36	B6-6-1
37	B6-10
38	B7
39	B7-1
40	B7-2
41	B7-3
42	B7-4
43	B7-5
44	B7-7
45	B8
46	B9
47	B10
48	B11
49	B12
50	B12-1
51	B12-2
52	B12-3
53	B13
54	B14
55	B15
56	B16
57	B17
58	B18
59	B19
60	B20
61	B21
62	B22
63	B23
64	B24
65	B25
66	B26
67	B27
68	B28
69	B29
70	C1
71	C2
72	C3
73	C4
74	E1
75	E2
76	E3
77	E4
78	E5
79	E6
80	E7
81	E10
82	E11
83	E12
84	E13-1
85	E13-2
86	E13-3
87	E13-4
88	E13-5
89	E13-6
90	E13-7
91	E13-8
92	E13-9
93	E13-10
94	E13-11
95	E13-12
96	E13-13
97	E13-14
98	E13-15
99	E19
100	E20
101	E21
102	E22
103	E23
104	E24
105	E25
106	E26
107	E26-1
108	E26-2
109	E26-3
110	E27
111	E28
112	E29
113	E30
114	E31
115	E32
116	E33
117	E34
118	E35
119	E36
120	E37
121	E38
122	E39
123	E40
124	E41
125	E42
126	E43
127	E44
128	F1
129	F2
130	F3
131	F4
132	F5
133	F6
134	F7
135	F8
136	F9
137	F10
138	F11
139	F12
140	F13
141	F14
142	F15
143	F16
144	F17
145	F18
146	F19
147	F20
148	F21
149	F22
150	F23
151	F24
152	F25
153	F26
154	F27
155	F28
156	F29
157	F30
158	F31
159	F32
160	F33
161	F34
162	F35
163	F36
164	K1
165	K2
166	K3
167	K4
168	K5
169	K6
170	K7
171	K8
172	K9

3MXT24AVJU9

Ref. Part No:	Ref. Part No:	Description:	Description:
Image 1:		Image 1:	
1	2563525	COMPRESSOR ASSY. (M2)	58 2433233 ACCUMULATOR ASSY. (M2)
2	2115782	VIBRATION ISOLATOR (M2)	59 2570026 PUTTY (SUCTION PIPE) (M2)
3	2119809	COMPRESSOR MOUNTING BOLT (M2)	60 1630613 CUSHION MATERIAL (M2)
4	4010410	WASHER (NUT WITH WASHER) (M2)	61 2433257 THERMAL INSULATION TUBE (M2)
5	2433017	RETAINER ASSY. (M2)	62 2433264 THERMAL INSULATION TUBE (M2)
6	2428527	RADIATION SHEET (M2)	63 2547648 THERMAL INSULATION TUBE (M2)
7	040139J	RUBBER BUSH/ LEAD WIRE (M2)	64 NA CUSHION MATERIAL (2) (M2)
8	2425597	TERMINAL COVER (M2)	65 2433132 PIPING FIXTURE (M2)
9	2433024	SOUND INSULATION (TOP) (M2)	66 2433149 THERMAL INSULATION TUBE (M2)
10	2570021	SOUND INSULATION (SLEEVE) (M2)	67 NA LABEL (SNAP) (M2)
11	2570022	SOUND INSULATION (INSIDE SLEEVE) (M2)	68 2567109 SOUNDPROOF PUTTY (M2)
12	2569997	HEAT EXCHANGER ASSY. (M2)	69 2532934 SOUNDPROOF PUTTY (M2)
13	NA	PUTTY (HEAT EXCHANGER) (M2)	70 2433271 PROPELLER FAN (M2)
14	NA	FOUR WAY VALVE ASSY. (M2)	71 2569111 FAN ROTATION STOPPER (M2)
15	2564690	FOUR WAY VALVE BODY (M2)	72 847003J LOCK NUT/ FAN (M2)
16	NA	DISCHARGE PIPE ASSY. (M2)	73 2433288 DISCHARGE GRILLE ASSY. (M2)
17	2433079	MUFFLER (M2)	74 2433295 EL. COMPO. MOUNTING PLATE (M2)
18	2534983	HIGH PRESSURE SWITCH (M2)	75 2570520 PRINTED CIRCUIT BOARD ASSY. (M2)
19	2276029	PRESSURE SENSOR (M2)	76 109994J SUPPORTING BUSH (M2)
20	2540629	PUTTY (HEAT RESISTANT) (M2)	77 094708J EDGE SADDLE (M2)
21	NA	CONNECTION PIPE (4V-ACC) ASSY. (M2)	78 2570002 EARTH WIRE (M2)
22	1721122	FUSIBLE PLUG (M2)	79 2570003 EARTH WIRE (M2)
23	NA	SUCTION PIPE (M2)	80 2570004 WIRE HARNESS ASSY. (POWER) (M2)
24	2570029	STOP VALVE MOUNTING PLATE (M2)	81 NA GROUNDING TERMINAL (M2)
25	2433093	STOP VALVE MOUNTING PLATE (UPPER) (M2)	82 NA TAPPING SCREW (M2)
26	2570030	HEADER ASSY(LIQUID) (M2)	83 2570034 MOUNTING PLATE (TERMINAL STRIP) (M2)
27	2570000	ELECTRONIC EXP. VALVE ASSY. (M2)	84 2433365 MOUNTING PLATE (TERMINAL BLOCK) (M2)
28	2533579	BODY/ ELECTRONIC EXP. VALVE (M2)	85 2425751 TERMINAL BLOCK (M2)
29	060321J	UNION JOINT (M2)	86 2371498 TERMINAL BLOCK (M2)
30	131823J	STRAINER (FOR REF.) (M2)	87 1786749 WASHER (FOR EARTH) (M2)
31	2433118	LIQUID STOP VALVE ASSY. (M2)	88 NA DOUBLE WASHER MACHINE SCREW (M2)
32	008529J	STRAINER (FOR REF.) (M2)	89 071124J CUPLING WASHER (M2)
33	1303896	FIXTURE/ THERMISTOR (M2)	90 119839J TAPPING SCREW (M2)
34	2570031	THERMISTOR ASSY(LIQ) (M2)	91 6025165 PRINTED CIRCUIT BOARD ASSY. (SERVICE) (M2)
35	2533582	PUTTY (M2)	92 1728464 SPACER (PCB) (M2)
36	NA	PUTTY (LH) (M2)	93 2115472 SPACER (PCB) (M2)
37	4020240	PUTTY (EV) (M2)	94 NA TAPPING SCREW (M2)
38	2570032	HEADER ASSY. (GAS) (M2)	95 NA PAN HEAD MACHINE SCREW (M2)
39	2570033	THERMISTOR ASSY. (GAS) (M2)	96 2570035 INDICATION LABEL (TERMINAL) (M2)
40	380120J	FITTING SPRING/ THERMISTOR (M2)	97 4018105 TERMINAL BLOCK (POWER SUPPLY) (M2)
41	2433163	GAS STOP VALVE ASSY. (SUB) (M2)	98 NA PAN HEAD TAPPING SCREW (M2)
42	2433187	SINGLE UNION JOINT ASSY. (M2)	99 6026826 COVER (M2)
43	2433194	SINGLE UNION JOINT ASSY. (M2)	100 2433389 SWITCH COVER (M2)
44	2433219	MUFFLER (M2)	101 2570006 THERMISTOR ASSY. (M2)
45	2547383	RETAINER/ UNION JOINT (M2)	102 2570036 WIRE HARNESS ASSY. (M2)
46	2547384	RETAINER/ UNION JOINT (M2)	103 2433411 DRIP PROOF PLATE (FRONT) (M2)
47	2547385	RETAINER/ UNION JOINT (M2)	104 2433428 DRIP PROOF PLATE (RIGHT) (M2)
48	2570001	ELECTRONIC EXP. VALVE ASSY. (BYPASS) (M2)	105 2433435 4-WAY VALVE COIL ASSY. (M2)
49	2533579	BODY/ ELECTRONIC EXP. VALVE (M2)	106 2433442 WIRE HARNESS (FOR COMP.) (M2)
50	NA	CAPILLARY TUBE (BYPASS) (M2)	107 2570037 COIL/ EL. EXPANSION VALVE ASSY. (M2)
51	111167J	STRAINER (M2)	108 2570009 COIL/ EL. EXPANSION VALVE (M2)
52	2158703	VALVE CAP (M2)	109 2570010 COIL/ EL. EXPANSION VALVE (M2)
53	2159232	VALVE CAP (M2)	110 2570011 COIL/ EL. EXPANSION VALVE (M2)
54	1723546	FLARE NUT (M2)	111 2570014 COIL/ EL. EXP. VALVE ASSY. (BYPASS) (M2)
55	119848J	FLARE NUT (M2)	112 2570015 DC FAN MOTOR ASSY. (M2)
56	119849J	FLARE NUT (M2)	113 NA PAN HEAD MACHINE SCREW (M2)
57	161975J	CUSHION RUBBER (M2)	114 2079110 INSULATING SUPPORT (M2)

3MXT24AVJU9

**Ref. Part
No: No:**

Description:

**Ref. Part
No: No:**

Description:

Image 1:

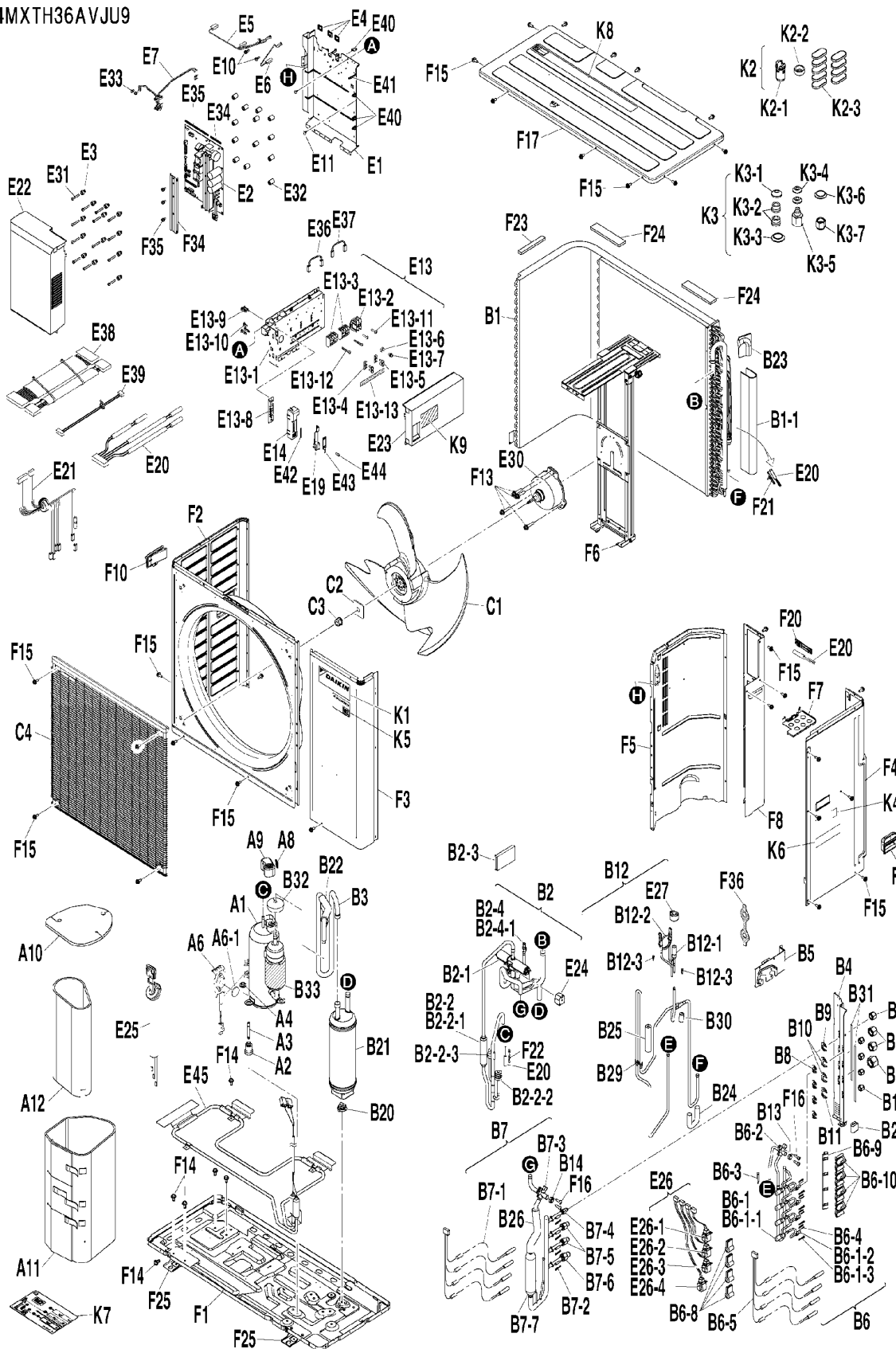
115	NA	TAPPING SCREW (M2)
116	2433512	WIRING PROTECTION BUSH (EDGING) (M2)
117	2433529	WIRING PROTECTION BUSH (EDGING) (M2)
118	2561310	WIRE HARNESS (TERMINAL STRIP) (M2)
119	2561311	WIRE HARNESS (TERMINAL STRIP) (M2)
120	2433536	WIRE HARNESS ASSY. (SERVICE PCB) (M2)
121	2570005	WIRE HARNESS (PCB-OL CONNECTION) (M2)
122	027843J	WIRE CLIP (M2)
123	0980106	HARNESS LIFTER (M2)
124	2570512	INDICATION LABEL (SERVICE PCB) (M2)
125	NA	INDICATION LABEL (SWITCH COVER) (M2)
126	040908J	TRUSS HEAD SCREW (M2)
127	2547350	DRAIN PAN HEATER ASSY. (M2)
128	2433567	BOTTOM FRAME ASSY. (M2)
129	2433574	FRONT PLATE (1) (M2)
130	2570016	FRONT PLATE (2) (M2)
131	2570017	RIGHT SIDE PLATE ASSY. (M2)
132	2570018	PARTITION PLATE ASSY. (M2)
133	2570019	FAN MOTOR STAND ASSY. (M2)
134	2433620	PARTITION PLATE ASSY. (2) (M2)
135	2570020	REAR PLATE ASSY. (M2)
136	092045J	HANDLE (M2)
137	2433644	HANDLE (LEFT) (M2)
138	2120405	HEX. TAPPING SCREW (3) (M2)
139	131453J	TRUSS HEAD TAPPING SCREW (M2)
140	NA	HEX HEAD TAPPING SCREW (M2)
141	NA	PAN HEAD TAPPING SCREW (M2)
142	2433651	TOP PLATE ASSY. (M2)
143	2546498	THERMISTOR FIXING PLATE (M2)
144	380120J	FITTING SPRING/ THERMISTOR (M2)
145	042396J	FITTING SPRING/ THERMISTOR (M2)
146	2433668	CUSHION MATERIAL (HEAT EXCHANGER) (M2)
147	2433675	CUSHION MATERIAL (HEAT EXCHANGER 2) (M2)
148	2433682	INSTALLATION LEG (M2)
149	6024610	COVER/ JACKET (M2)
150	4016867	HEX BOLT (M2)
151	2570023	SIDE CAP (TBM SERVICE PORT)(SNAP) (M2)
152	2570024	BRAND NAME LABEL (M2)
153	NA	ACCESSORY SET (DRAIN SOCKET) (M2)
154	2433699	DRAIN SOCKET (M2)
155	2433707	DRAIN JOINT (M2)
156	2433714	CAP (DRAIN) (M2)
157	NA	REDUCER ASSY. (M2)
158	257712J	GASKET/ REDUCING JOINT (M2)
159	257709J	GASKET/ REDUCING JOINT (M2)
160	NA	PRODUCT LIABILITY CAUTION LABEL (M2)
161	4015454	LABEL NAME PLATE (INVERTER/ R32) (M2)
162	NA	CAUTION LABEL (DUCT) (M2)
163	2561739	ADDITIONAL REFR. CHARGE LABEL (M2)
164	NA	CAUTION LABEL (SUPERCARGO) (M2)
165	NA	CAUTION LABEL (ELECTRIC SHOCK) (M2)

Expanded Model Nomenclature

M1 - 3MXTH24A VJU9
M2 - 3MXT24A VJU9
M3 - 4MXTH36A VJU9
M4 - 4MXT36A VJU9
M5 - 5MXM48A VJU9
M6 - 5MXTH40A VJU9
M7 - 5MXT40A VJU9

4MXTH36AVJU9

4MXTH36AVJU9



Picture Key	
Ref #	Picture #
1	A1
2	A2
3	A3
4	A4
5	A6
6	A6-1
7	AR
8	A9
9	A10
10	A11
11	A12
12	B1
13	B1-1
14	B2
15	B2-1
16	B2-2
17	B2-2-1
18	B2-2-2
19	B2-2-3
20	B2-3
21	B2-4
22	B2-4-1
23	B3
24	B4
25	B5
26	B6
27	B6-1
28	B6-1-1
29	B6-1-2
30	B6-1-3
31	B6-2
32	B6-3
33	B6-4
34	B6-5
35	B6-6
36	B6-7
37	B6-10
38	B7
39	B7-1
40	B7-2
41	B7-3
42	B7-4
43	B7-5
44	B7-6
45	B7-7
46	B8
47	B9
48	B10
49	B11
50	B12
51	B12-1
52	B12-2
53	B12-3
54	B13
55	B14
56	B15
57	B16
58	B17
59	B18
60	B20
61	B21
62	B22
63	B23
64	B24
65	B25
66	B26
67	B27
68	B28
69	B30
70	B31
71	B32
72	B33
73	C1
74	C2
75	C3
76	C4
77	E1
78	E2
79	E3
80	E4
81	E5
82	E6
83	E7
84	E10
85	E11
86	E13
87	E13-1
88	E13-2
89	E13-3
90	E13-4
91	E13-5
92	E13-6
93	E13-7
94	E13-8
95	E13-9
96	E13-10
97	E13-11
98	E13-12
99	E13-13
100	F1
101	F2
102	F3
103	F4
104	F7
105	F8
106	F9
107	F10
108	F11
109	F12
110	F13
111	F14
112	F15
113	F16
114	F20
115	F21
116	F22
117	F23
118	F24
119	F25
120	F26
121	F27
122	F28
123	F29
124	F30
125	F31
126	F32
127	F33
128	F34
129	F35
130	F36
131	F37
132	F38
133	F39
134	F40
135	F41
136	F42
137	F43
138	F44
139	F45
140	F46
141	F47
142	F48
143	F49
144	F50
145	F51
146	F52
147	F53
148	F54
149	F55
150	F56
151	F57
152	F58
153	F59
154	F60
155	K2
156	K2-1
157	K2-2
158	K2-3
159	K3
160	K3-1
161	K3-2
162	K3-3
163	K3-4
164	K3-5
165	K3-6
166	K3-7
167	K4
168	K5
169	K6
170	K7
171	K8
172	K9

4MXTH36AVJU9

Ref. Part No:	Ref. Part No:	Description:	Description:
Image 1:		Image 1:	
1	2563525	COMPRESSOR ASSY. (M3)	58 119849J FLARE NUT (M3)
2	2115782	VIBRATION ISOLATOR (M3)	59 119850J FLARE NUT (M3)
3	2119809	COMPRESSOR MOUNTING BOLT (M3)	60 161975J CUSHION RUBBER (M3)
4	4010410	WASHER (NUT WITH WASHER) (M3)	61 2433233 ACCUMULATOR ASSY. (M3)
5	2433017	RETAINER ASSY. (M3)	62 2570026 PUTTY (SUCTION PIPE) (M3)
6	2428527	RADIATION SHEET (M3)	63 1630613 CUSHION MATERIAL (M3)
7	040139J	RUBBER BUSH/ LEAD WIRE (M3)	64 2433257 THERMAL INSULATION TUBE (M3)
8	2425597	TERMINAL COVER (M3)	65 2433264 THERMAL INSULATION TUBE (M3)
9	2433024	SOUND INSULATION (TOP) (M3)	66 2547648 THERMAL INSULATION TUBE (M3)
10	2570021	SOUND INSULATION (SLEEVE) (M3)	67 NA CUSHION MATERIAL (2) (M3)
11	2570022	SOUND INSULATION (INSIDE SLEEVE) (M3)	68 2433132 PIPING FIXTURE (M3)
12	2569997	HEAT EXCHANGER ASSY. (M3)	69 2433149 THERMAL INSULATION TUBE (M3)
13	NA	PUTTY (HEAT EXCHANGER) (M3)	70 NA LABEL (SNAP) (M3)
14	NA	FOUR WAY VALVE ASSY. (M3)	71 2567109 SOUNDPROOF PUTTY (M3)
15	2564690	FOUR WAY VALVE BODY (M3)	72 2532934 SOUNDPROOF PUTTY (M3)
16	NA	DISCHARGE PIPE ASSY. (M3)	73 2433271 PROPELLER FAN (M3)
17	2433079	MUFFLER (M3)	74 2569111 FAN ROTATION STOPPER (M3)
18	2534983	HIGH PRESSURE SWITCH (M3)	75 847003J LOCK NUT/ FAN (M3)
19	2276029	PRESSURE SENSOR (M3)	76 2433288 DISCHARGE GRILLE ASSY. (M3)
20	2540629	PUTTY (HEAT RESISTANT) (M3)	77 2433295 EL. COMPO. MOUNTING PLATE (M3)
21	NA	CONNECTION PIPE (4V-ACC) ASSY. (M3)	78 2570521 PRINTED CIRCUIT BOARD ASSY. (M3)
22	1721122	FUSIBLE PLUG (M3)	79 109994J SUPPORTING BUSH (M3)
23	NA	SUCTION PIPE (M3)	80 094708J EDGE SADDLE (M3)
24	2433086	STOP VALVE MOUNTING PLATE (M3)	81 2570002 EARTH WIRE (M3)
25	2433093	STOP VALVE MOUNTING PLATE (UPPER) (M3)	82 2570003 EARTH WIRE (M3)
26	2570025	HEADER ASSY. (LIQUID) (M3)	83 2570004 WIRE HARNESS ASSY. (POWER) (M3)
27	2570000	ELECTRONIC EXP. VALVE ASSY. (M3)	84 NA GROUNDING TERMINAL (M3)
28	2533579	BODY/ ELECTRONIC EXP. VALVE (M3)	85 NA TAPPING SCREW (M3)
29	060321J	UNION JOINT (M3)	86 2547377 MOUNTING PLATE (TERMINAL STRIP) (M3)
30	131823J	STRAINER (FOR REF.) (M3)	87 2433365 MOUNTING PLATE (TERMINAL BLOCK) (M3)
31	2433118	LIQUID STOP VALVE ASSY. (M3)	88 2425751 TERMINAL BLOCK (M3)
32	008529J	STRAINER (FOR REF.) (M3)	89 2371498 TERMINAL BLOCK (M3)
33	1303896	FIXTURE/ THERMISTOR (M3)	90 1786749 WASHER (FOR EARTH) (M3)
34	2433125	THERMISTOR ASSY. (LIQ) (M3)	91 NA DOUBLE WASHER MACHINE SCREW (M3)
35	2533582	PUTTY (M3)	92 071124J CUPPLING WASHER (M3)
36	NA	PUTTY (LIQUID HEADER) (M3)	93 119839J TAPPING SCREW (M3)
37	4020240	PUTTY (EV) (M3)	94 6025165 PRINTED CIRCUIT BOARD ASSY. (SERVICE) (M3)
38	2433156	HEADER ASSY. (GAS) (M3)	95 1728464 SPACER (PCB) (M3)
39	2433170	THERMISTOR ASSY. (GAS) (M3)	96 2115472 SPACER (PCB) (M3)
40	380120J	FITTING SPRING/ THERMISTOR (M3)	97 NA TAPPING SCREW (M3)
41	2433163	GAS STOP VALVE ASSY. (SUB) (M3)	98 NA PAN HEAD MACHINE SCREW (M3)
42	2433187	SINGLE UNION JOINT ASSY. (M3)	99 2547378 INDICATION LABEL (TERMINAL) (M3)
43	2433194	SINGLE UNION JOINT ASSY. (M3)	100 6026826 COVER (M3)
44	2433202	SINGLE UNION JOINT ASSY. (M3)	101 2433389 SWITCH COVER (M3)
45	2433219	MUFFLER (M3)	102 2570006 THERMISTOR ASSY. (M3)
46	2547383	RETAINER/ UNION JOINT (M3)	103 2570027 WIRE HARNESS ASSY. (M3)
47	2547384	RETAINER/ UNION JOINT (M3)	104 2433411 DRIP PROOF PLATE (FRONT) (M3)
48	2547385	RETAINER/ UNION JOINT (M3)	105 2433428 DRIP PROOF PLATE (RIGHT) (M3)
49	084233J	RETAINER/ UNION JOINT (M3)	106 2433435 4-WAY VALVE COIL ASSY. (M3)
50	2570001	ELECTRONIC EXP. VALVE ASSY. (BYPASS) (M3)	107 2433442 WIRE HARNESS (FOR COMP.) (M3)
51	2533579	BODY/ ELECTRONIC EXP. VALVE (M3)	108 2570028 COIL/ EL. EXPANSION VALVE ASSY. (M3)
52	NA	CAPILLARY TUBE (BYPASS) (M3)	109 2570009 COIL/ EL. EXPANSION VALVE (M3)
53	111167J	STRAINER (M3)	110 2570010 COIL/ EL. EXPANSION VALVE (M3)
54	2158703	VALVE CAP (M3)	111 2570011 COIL/ EL. EXPANSION VALVE (M3)
55	2159232	VALVE CAP (M3)	112 2570012 COIL/ EL. EXPANSION VALVE (M3)
56	1723546	FLARE NUT (M3)	113 2570014 COIL/ EL. EXP. VALVE ASSY. (BYPASS) (M3)
57	119848J	FLARE NUT (M3)	114 2570015 DC FAN MOTOR ASSY. (M3)

4MXTH36AVJU9

**Ref. Part
No: No:**

Description:

**Ref. Part
No: No:**

Description:

Image 1:

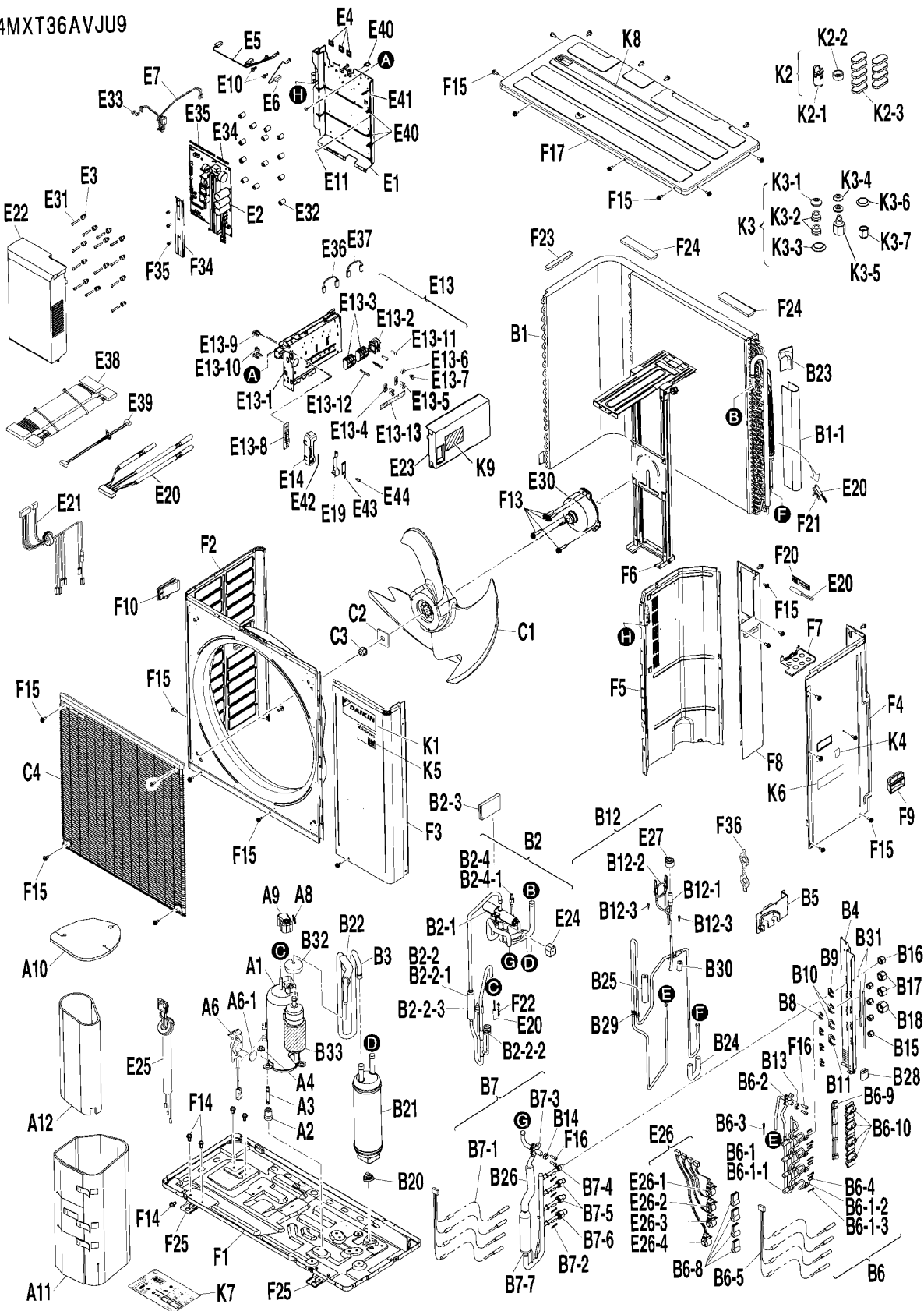
115	NA	PAN HEAD MACHINE SCREW (M3)
116	2079110	INSULATING SUPPORT (M3)
117	NA	TAPPING SCREW (M3)
118	2433512	WIRING PROTECTION BUSH (EDGING) (M3)
119	2433529	WIRING PROTECTION BUSH (EDGING) (M3)
120	2561310	WIRE HARNESS (TERMINAL STRIP) (M3)
121	2561311	WIRE HARNESS (TERMINAL STRIP) (M3)
122	2433536	WIRE HARNESS ASSY. (SERVICE PCB) (M3)
123	2570005	WIRE HARNESS (PCB-OL CONNECTION) (M3)
124	027843J	WIRE CLIP (M3)
125	0980106	HARNESS LIFTER (M3)
126	NA	INDICATION LABEL (SERVICE PCB) (M3)
127	NA	INDICATION LABEL (SWITCH COVER) (M3)
128	040908J	TRUSS HEAD SCREW (M3)
129	2433567	BOTTOM FRAME ASSY. (M3)
130	2433574	FRONT PLATE (1) (M3)
131	2570016	FRONT PLATE (2) (M3)
132	2570017	RIGHT SIDE PLATE ASSY. (M3)
133	2570018	PARTITION PLATE ASSY. (M3)
134	2570019	FAN MOTOR STAND ASSY. (M3)
135	2433620	PARTITION PLATE ASSY. (2) (M3)
136	2570020	REAR PLATE ASSY. (M3)
137	092045J	HANDLE (M3)
138	2433644	HANDLE (LEFT) (M3)
139	2120405	HEX TAPPING SCREW (3) (M3)
140	131453J	TRUSS HEAD TAPPING SCREW (M3)
141	NA	HEX HEAD TAPPING SCREW (M3)
142	NA	PAN HEAD TAPPING SCREW (M3)
143	2433651	TOP PLATE ASSY. (M3)
144	2546498	THERMISTOR FIXING PLATE (M3)
145	380120J	FITTING SPRING/ THERMISTOR (M3)
146	042396J	FITTING SPRING/ THERMISTOR (M3)
147	2433668	CUSHION MATERIAL (HEAT EXCHANGER) (M3)
148	2433675	CUSHION MATERIAL (HEAT EXCHANGER 2) (M3)
149	2433682	INSTALLATION LEG (M3)
150	6024610	COVER/ JACKET (M3)
151	4016867	HEX BOLT (M3)
152	2570023	SIDE CAP (TBM SERVICE PORT)(SNAP) (M3)
153	2570024	BRAND NAME LABEL (M3)
154	NA	ACCESSORY SET (DRAIN SOCKET) (M3)
155	2433699	DRAIN SOCKET (M3)
156	2433707	DRAIN JOINT (M3)
157	2433714	CAP (DRAIN) (M3)
158	NA	REDUCER ASSY. (M3)
159	257553J	GASKET/ REDUCING JOINT (M3)
160	257712J	GASKET/ REDUCING JOINT (M3)
161	257555J	GASKET/ REDUCING JOINT (M3)
162	257709J	GASKET/ REDUCING JOINT (M3)
163	257503J	REDUCING JOINT (M3)
164	257511	FLARE GASKET (M3)
165	119848J	FLARE NUT (M3)
166	NA	PRODUCT LIABILITY CAUTION LABEL (M3)
167	4015454	LABEL NAME PLATE (INVERTER/ R32) (M3)
168	NA	CAUTION LABEL (DUCT) (M3)
169	2561739	ADDITIONAL REFR. CHARGE LABEL (M3)
170	NA	CAUTION LABEL (SUPERCARGO) (M3)
171	NA	CAUTION LABEL (ELECTRIC SHOCK) (M3)

Expanded Model Nomenclature

M1 - 3MXTH24A VJU9
M2 - 3MXT24A VJU9
M3 - 4MXTH36A VJU9
M4 - 4MXT36A VJU9
M5 - 5MXM48A VJU9
M6 - 5MXTH40A VJU9
M7 - 5MXT40A VJU9

4MXT36AVJU9

4MXT36AVJU9



Picture #	Picture #
1	A1
2	A2
3	A3
4	A4
5	A5
6	A6-1
7	A6
8	A7
9	A10
10	A11
11	A12
12	B1
13	B1-1
14	B2
15	B2-1
16	B2-2
17	B2-2-1
18	B2-2-2
19	B2-3
20	B2-3
21	B2-4
22	B2-4-1
23	B2
24	B4
25	B5
26	B6
27	B6-1
28	B6-1-1
29	B6-1-2
30	B6-1-3
31	B6-2
32	B6-3
33	B6-4
34	B6-5
35	B6-6
36	B6-9
37	B6-10
38	B7
39	B7-1
40	B7-2
41	B7-3
42	B7-4
43	B7-5
44	B7-6
45	B7-7
46	B8
47	B9
48	B10
49	B11
50	B12
51	B12-1
52	B12-2
53	B12-3
54	B11
55	B14
56	B15
57	B16
58	B17
59	B18
60	B20
61	B21
62	B22
63	B23
64	B24
65	B25
66	B26
67	B29
68	B30
69	B31
70	B32
71	B33
72	B36
73	C1
74	C2
75	C3
76	C4
77	E1
78	E2
79	E3
80	E4
81	E5
82	E6
83	E7
84	E10
85	E11
86	E13
87	E13-1
88	E13-2
89	E13-3
90	E13-4
91	E13-5
92	E13-6
93	E13-7
94	E13-8
95	E13-9
96	E13-10
97	E13-11
98	E13-12
99	E13-13
100	E14
101	E19
102	E20
103	E21
104	E22
105	E23
106	E24
107	E25
108	E26
109	E26-1
110	E26-2
111	E26-3
112	E26-4
113	E27
114	E30
115	E31
116	E32
117	E33
118	E34
119	E35
120	E36
121	E37
122	E38
123	E39
124	E40
125	E41
126	E42
127	E43
128	E44
129	E45
130	F1
131	F2
132	F3
133	F4
134	F5
135	F6
136	F7
137	F8
138	F9
139	F10
140	F11
141	F14
142	F15
143	F16
144	F17
145	F20
146	F21
147	F22
148	F23
149	F24
150	F25
151	F26
152	F27
153	F28
154	K1
155	K2
156	K2-1
157	K2-2
158	K2-3
159	K3
160	K3-1
161	K3-2
162	K3-3
163	K3-4
164	K3-5
165	K3-6
166	K3-7
167	K4
168	K5
169	K6
170	K7
171	K8
172	K9

4MXT36AVJU9

Ref. Part No:	Ref. Part No:	Description:	Description:
Image 1:		Image 1:	
1	2563525	COMPRESSOR ASSY. (M4)	58 119849J
2	2115782	VIBRATION ISOLATOR (M4)	59 119850J
3	2119809	COMPRESSOR MOUNTING BOLT (M4)	60 161975J
4	4010410	WASHER (NUT WITH WASHER) (M4)	61 2433233
5	2433017	RETAINER ASSY. (M4)	62 2570026
6	2428527	RADIATION SHEET (M4)	63 1630613
7	040139J	RUBBER BUSH/ LEAD WIRE (M4)	64 2433257
8	2425597	TERMINAL COVER (M4)	65 2433264
9	2433024	SOUND INSULATION (TOP) (M4)	66 2547648
10	2570021	SOUND INSULATION (SLEEVE) (M4)	67 NA
11	2570022	SOUND INSULATION (INSIDE SLEEVE) (M4)	68 2433132
12	2569997	HEAT EXCHANGER ASSY. (M4)	69 2433149
13	NA	PUTTY (HEAT EXCHANGER) (M4)	70 NA
14	NA	FOUR WAY VALVE ASSY. (M4)	71 2567109
15	2564690	FOUR WAY VALVE BODY (M4)	72 2532934
16	NA	DISCHARGE PIPE ASSY. (M4)	73 2433271
17	2433079	MUFFLER (M4)	74 2569111
18	2534983	HIGH PRESSURE SWITCH (M4)	75 847003J
19	2276029	PRESSURE SENSOR (M4)	76 2433288
20	2540629	PUTTY (HEAT RESISTANT) (M4)	77 2433295
21	NA	CONNECTION PIPE (4V-ACC) ASSY. (M4)	78 2570519
22	1721122	FUSIBLE PLUG (M4)	79 109994J
23	NA	SUCTION PIPE (M4)	80 094708J
24	2433086	STOP VALVE MOUNTING PLATE (M4)	81 2570002
25	2433093	STOP VALVE MOUNTING PLATE (UPPER) (M4)	82 2570003
26	2570025	HEADER ASSY. (LIQUID) (M4)	83 2570004
27	2570000	ELECTRONIC EXP. VALVE ASSY. (M4)	84 NA
28	2533579	BODY/ ELECTRONIC EXP. VALVE (M4)	85 NA
29	060321J	UNION JOINT (M4)	86 2547377
30	131823J	STRAINER (FOR REF.) (M4)	87 2433365
31	2433118	LIQUID STOP VALVE ASSY. (M4)	88 2425751
32	008529J	STRAINER (FOR REF.) (M4)	89 2371498
33	1303896	FIXTURE/ THERMISTOR (M4)	90 1786749
34	2433125	THERMISTOR ASSY. (LIQ) (M4)	91 NA
35	2533582	PUTTY (M4)	92 071124J
36	NA	PUTTY (LIQUID HEADER) (M4)	93 119839J
37	4020240	PUTTY (EV) (M4)	94 6025165
38	2433156	HEADER ASSY. (GAS) (M4)	95 1728464
39	2433170	THERMISTOR ASSY. (GAS) (M4)	96 2115472
40	380120J	FITTING SPRING/ THERMISTOR (M4)	97 NA
41	2433163	GAS STOP VALVE ASSY. (SUB) (M4)	98 NA
42	2433187	SINGLE UNION JOINT ASSY. (M4)	99 2547378
43	2433194	SINGLE UNION JOINT ASSY. (M4)	100 6026826
44	2433202	SINGLE UNION JOINT ASSY. (M4)	101 2433389
45	2433219	MUFFLER (M4)	102 2570006
46	2547383	RETAINER/ UNION JOINT (M4)	103 2570027
47	2547384	RETAINER/ UNION JOINT (M4)	104 2433411
48	2547385	RETAINER/ UNION JOINT (M4)	105 2433428
49	084233J	RETAINER/ UNION JOINT (M4)	106 2433435
50	2570001	ELECTRONIC EXP. VALVE ASSY. (BYPASS) (M4)	107 2433442
51	2533579	BODY/ ELECTRONIC EXP. VALVE (M4)	108 2570028
52	NA	CAPILLARY TUBE (BYPASS) (M4)	109 2570009
53	111167J	STRAINER (M4)	110 2570010
54	2158703	VALVE CAP (M4)	111 2570011
55	2159232	VALVE CAP (M4)	112 2570012
56	1723546	FLARE NUT (M4)	113 2570014
57	119848J	FLARE NUT (M4)	114 2570015
			FLARE NUT (M4)
			CUSHION RUBBER (M4)
			ACCUMULATOR ASSY. (M4)
			PURTY (SUCTION PIPE) (M4)
			CUSHION MATERIAL (M4)
			THERMAL INSULATION TUBE (M4)
			THERMAL INSULATION TUBE (M4)
			THERMAL INSULATION TUBE (M4)
			CUSHION MATERIAL (2) (M4)
			PIPING FIXTURE (M4)
			THERMAL INSULATION TUBE (M4)
			LABEL (SNAP) (M4)
			SOUNDPROOF PUTTY (M4)
			SOUNDPROOF PUTTY (M4)
			PROPELLER FAN (M4)
			FAN ROTATION STOPPER (M4)
			LOCK NUT/ FAN (M4)
			DISCHARGE GRILLE ASSY. (M4)
			EL. COMPO. MOUNTING PLATE (M4)
			PRINTED CIRCUIT BOARD ASSY. (M4)
			SUPPORTING BUSH (M4)
			EDGE SADDLE (M4)
			EARTH WIRE (M4)
			EARTH WIRE (M4)
			WIRE HARNESS ASSY. (POWER) (M4)
			GROUNDING TERMINAL (M4)
			TAPPING SCREW (M4)
			MOUNTING PLATE (TERMINAL STRIP) (M4)
			MOUNTING PLATE (TERMINAL BLOCK) (M4)
			TERMINAL BLOCK (M4)
			TERMINAL BLOCK (M4)
			WASHER (FOR EARTH) (M4)
			DOUBLE WASHER MACHINE SCREW (M4)
			CUPPLING WASHER (M4)
			TAPPING SCREW (M4)
			PRINTED CIRCUIT BOARD ASSY. (SERVICE) (M4)
			SPACER (PCB) (M4)
			SPACER (PCB) (M4)
			TAPPING SCREW (M4)
			PAN HEAD MACHINE SCREW (M4)
			INDICATION LABEL (TERMINAL) (M4)
			COVER (M4)
			SWITCH COVER (M4)
			THERMISTOR ASSY. (M4)
			WIRE HARNESS ASSY. (M4)
			DRIP PROOF PLATE (FRONT) (M4)
			DRIP PROOF PLATE (RIGHT) (M4)
			4-WAY VALVE COIL ASSY. (M4)
			WIRE HARNESS (FOR COMP.) (M4)
			COIL/ EL. EXPANSION VALVE ASSY. (M4)
			COIL/ EL. EXPANSION VALVE (M4)
			COIL/ EL. EXPANSION VALVE (M4)
			COIL/ EL. EXPANSION VALVE (M4)
			COIL/ EL. EXPANSION VALVE (M4)
			COIL/ EL. EXP. VALVE ASSY. (BYPASS) (M4)
			DC FAN MOTOR ASSY. (M4)

4MXT36AVJU9

**Ref. Part
No: No:**

Description:

Image 1:

115	NA	PAN HEAD MACHINE SCREW (M4)
116	2079110	INSULATING SUPPORT (M4)
117	NA	TAPPING SCREW (M4)
118	2433512	WIRING PROTECTION BUSH (EDGING) (M4)
119	2433529	WIRING PROTECTION BUSH (EDGING) (M4)
120	2561310	WIRE HARNESS (TERMINAL STRIP) (M4)
121	2561311	WIRE HARNESS (TERMINAL STRIP) (M4)
122	2433536	WIRE HARNESS ASSY. (SERVICE PCB) (M4)
123	2570005	WIRE HARNESS (PCB-OL CONNECTION) (M4)
124	027843J	WIRE CLIP (M4)
125	0980106	HARNESS LIFTER (M4)
126	2570512	INDICATION LABEL (SERVICE PCB) (M4)
127	NA	INDICATION LABEL (SWITCH COVER) (M4)
128	040908J	TRUSS HEAD SCREW (M4)
129	2547350	DRAIN PAN HEATER ASSY. (M4)
130	2433567	BOTTOM FRAME ASSY. (M4)
131	2433574	FRONT PLATE (1) (M4)
132	2570016	FRONT PLATE (2) (M4)
133	2570017	RIGHT SIDE PLATE ASSY. (M4)
134	2570018	PARTITION PLATE ASSY. (M4)
135	2570019	FAN MOTOR STAND ASSY. (M4)
136	2433620	PARTITION PLATE ASSY. (2) (M4)
137	2570020	REAR PLATE ASSY. (M4)
138	092045J	HANDLE (M4)
139	2433644	HANDLE (LEFT) (M4)
140	2120405	HEX TAPPING SCREW (3) (M4)
141	131453J	TRUSS HEAD TAPPING SCREW (M4)
142	NA	HEX HEAD TAPPING SCREW (M4)
143	NA	PAN HEAD TAPPING SCREW (M4)
144	2433651	TOP PLATE ASSY. (M4)
145	2546498	THERMISTOR FIXING PLATE (M4)
146	380120J	FITTING SPRING/ THERMISTOR (M4)
147	042396J	FITTING SPRING/ THERMISTOR (M4)
148	2433668	CUSHION MATERIAL (HEAT EXCHANGER) (M4)
149	2433675	CUSHION MATERIAL (HEAT EXCHANGER 2) (M4)
150	2433682	INSTALLATION LEG (M4)
151	6024610	COVER/ JACKET (M4)
152	4016867	HEX BOLT (M4)
153	2570023	SIDE CAP (TBM SERVICE PORT)(SNAP) (M4)
154	2570024	BRAND NAME LABEL (M4)
155	NA	ACCESSORY SET (DRAIN SOCKET) (M4)
156	2433699	DRAIN SOCKET (M4)
157	2433707	DRAIN JOINT (M4)
158	2433714	CAP (DRAIN) (M4)
159	NA	REDUCER ASSY. (M4)
160	257553J	GASKET/ REDUCING JOINT (M4)
161	257712J	GASKET/ REDUCING JOINT (M4)
162	257555J	GASKET/ REDUCING JOINT (M4)
163	257709J	GASKET/ REDUCING JOINT (M4)
164	257503J	REDUCING JOINT (M4)
165	257511	FLARE GASKET (M4)
166	119848J	FLARE NUT (M4)
167	NA	PRODUCT LIABILITY CAUTION LABEL (M4)
168	4015454	LABEL NAME PLATE (INVERTER/ R32) (M4)
169	NA	CAUTION LABEL (DUCT) (M4)
170	2561739	ADDITIONAL REFR. CHARGE LABEL (M4)
171	NA	CAUTION LABEL (SUPERCARGO) (M4)

**Ref. Part
No: No:**

Description:

Image 1:

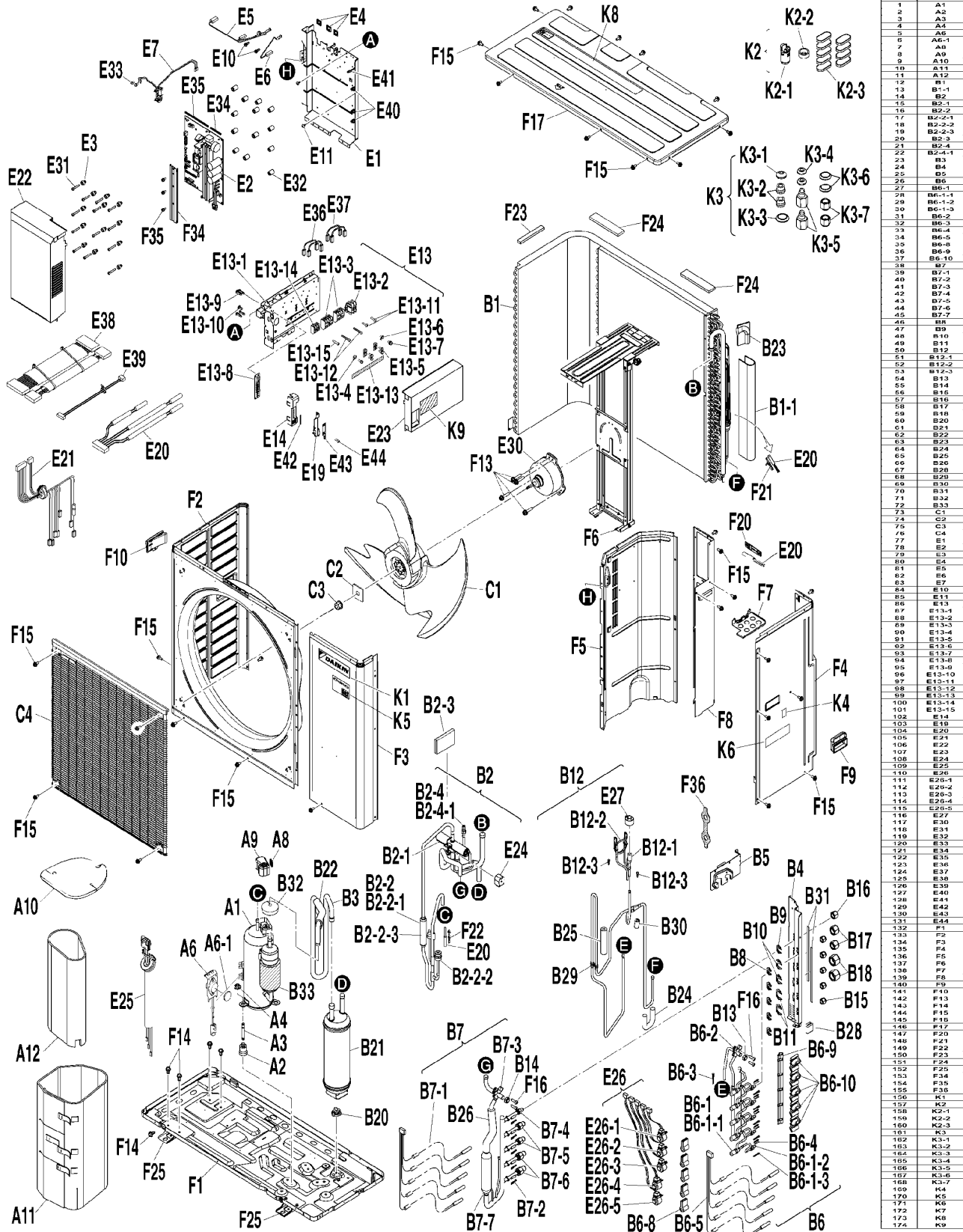
172	NA	CAUTION LABEL (ELECTRIC SHOCK) (M4)
-----	----	-------------------------------------

Expanded Model Nomenclature

M1	- 3MXTH24A V JU9
M2	- 3MXT24A V JU9
M3	- 4MXTH36A V JU9
M4	- 4MXT36A V JU9
M5	- 5MXM48A V JU9
M6	- 5MXTH40A V JU9
M7	- 5MXT40A V JU9

5MXM48AVJU9

5MXM48AVJU9



Picture Key	Ref #	Picture #
	1	A1
	2	A2
	3	A3
	4	A4
	5	A5
	6	AG-1
	7	A6
	8	A9
	9	A10
	10	A11
	11	A12
	12	B1
	13	B1-1
	14	B2
	15	B2-1
	16	B2-2
	17	B2-2-1
	18	B2-2-2
	19	B2-2-3
	20	B2-3
	21	B2-4
	22	B2-4-1
	23	B3
	24	B4
	25	B5
	26	B6
	27	B6-1
	28	B6-1-1
	29	B6-1-2
	30	B6-1-3
	31	B6-2
	32	B6-3
	33	B6-4
	34	B6-5
	35	B6-6
	36	B6-9
	37	B6-10
	38	B7
	39	B7-1
	40	B7-2
	41	B7-3
	42	B7-4
	43	B7-5
	44	B7-6
	45	B7-7
	46	B8
	47	B9
	48	B10
	49	B11
	50	B12
	51	B12-1
	52	B12-2
	53	B12-3
	54	B13
	55	B14
	56	B15
	57	B16
	58	B17
	59	B18
	60	B20
	61	B21
	62	B22
	63	B23
	64	B24
	65	B25
	66	B26
	67	B28
	68	B29
	69	B30
	70	B31
	71	B32
	72	B33
	73	C1
	74	C2
	75	C3
	76	C4
	77	E1
	78	E2
	79	E3
	80	E4
	81	E5
	82	E6
	83	E7
	84	E10
	85	E11
	86	E13
	87	E13-1
	88	E13-2
	89	E13-3
	90	E13-4
	91	E13-5
	92	E13-6
	93	E13-7
	94	E13-8
	95	E13-9
	96	E13-10
	97	E13-11
	98	E13-12
	99	E13-13
	100	E13-14
	101	E13-15
	102	E14
	103	E18
	104	E20
	105	E21
	106	E22
	107	E23
	108	E24
	109	E25
	110	E26
	111	E26-1
	112	E26-2
	113	E26-3
	114	E26-4
	115	E26-5
	116	E27
	117	E30
	118	E31
	119	E32
	120	E33
	121	E34
	122	E35
	123	E36
	124	E37
	125	E38
	126	E39
	127	E40
	128	E41
	129	E42
	130	E43
	131	E44
	132	F1
	133	F2
	134	F3
	135	F4
	136	F5
	137	F6
	138	F7
	139	F8
	140	F9
	141	F10
	142	F13
	143	F14
	144	F15
	145	F16
	146	F17
	147	F20
	148	F21
	149	F22
	150	F23
	151	F24
	152	F25
	153	F26
	154	F35
	155	F36
	156	K1
	157	K2
	158	K2-1
	159	K2-2
	160	K2-3
	161	K3
	162	K3-1
	163	K3-2
	164	K3-3
	165	K3-4
	166	K3-5
	167	K3-6
	168	K3-7
	169	K4
	170	K5
	171	K6
	172	K7
	173	K8
	174	K9

5MXM48AVJU9

Ref. Part No:	Ref. Part No:	Description:	Description:
Image 1:		Image 1:	
1	2563525	COMPRESSOR ASSY. (M5)	58 119849J FLARE NUT (M5)
2	2115782	VIBRATION ISOLATOR (M5)	59 119850J FLARE NUT (M5)
3	2119809	COMPRESSOR MOUNTING BOLT (M5)	60 161975J CUSHION RUBBER (M5)
4	4010410	WASHER (NUT WITH WASHER) (M5)	61 2433233 ACCUMULATOR ASSY. (M5)
5	2433017	RETAINER ASSY. (M5)	62 2570026 PUTTY (SUCTION PIPE) (M5)
6	2428527	RADIATION SHEET (M5)	63 1630613 CUSHION MATERIAL (M5)
7	040139J	RUBBER BUSH/ LEAD WIRE (M5)	64 2433257 THERMAL INSULATION TUBE (M5)
8	2425597	TERMINAL COVER (M5)	65 2433264 THERMAL INSULATION TUBE (M5)
9	2433024	SOUND INSULATION (TOP) (M5)	66 2547648 THERMAL INSULATION TUBE (M5)
10	2570021	SOUND INSULATION (SLEEVE) (M5)	67 NA CUSHION MATERIAL (2) (M5)
11	2570022	SOUND INSULATION (INSIDE SLEEVE) (M5)	68 2433132 PIPING FIXTURE (M5)
12	2569997	HEAT EXCHANGER ASSY. (M5)	69 2433149 THERMAL INSULATION TUBE (M5)
13	NA	PUTTY (HEAT EXCHANGER) (M5)	70 NA LABEL (SNAP) (M5)
14	NA	FOUR WAY VALVE ASSY. (M5)	71 2567109 SOUNDPROOF PUTTY (M5)
15	2564690	FOUR WAY VALVE BODY (M5)	72 2532934 SOUNDPROOF PUTTY (M5)
16	NA	DISCHARGE PIPE ASSY. (M5)	73 2433271 PROPELLER FAN (M5)
17	2433079	MUFFLER (M5)	74 2569111 FAN ROTATION STOPPER (M5)
18	2534983	HIGH PRESSURE SWITCH (M5)	75 847003J LOCK NUT/ FAN (M5)
19	2276029	PRESSURE SENSOR (M5)	76 2433288 DISCHARGE GRILLE ASSY. (M5)
20	2540629	PUTTY (HEAT RESISTANT) (M5)	77 2433295 EL. COMPO. MOUNTING PLATE (M5)
21	NA	CONNECTION PIPE (4V-ACC) ASSY. (M5)	78 2570522 PRINTED CIRCUIT BOARD ASSY. (M5)
22	1721122	FUSIBLE PLUG (M5)	79 109994J SUPPORTING BUSH (M5)
23	NA	SUCTION PIPE (M5)	80 094708J EDGE SADDLE (M5)
24	2433721	STOP VALVE MOUNTING PLATE (M5)	81 2570002 EARTH WIRE (M5)
25	2433093	STOP VALVE MOUNTING PLATE (UPPER) (M5)	82 2570003 EARTH WIRE (M5)
26	2569999	HEADER ASSY. (LIQUID) (M5)	83 2570004 WIRE HARNESS ASSY. (POWER) (M5)
27	2570000	ELECTRONIC EXP. VALVE ASSY. (M5)	84 NA GROUNDING TERMINAL (M5)
28	2533579	BODY/ ELECTRONIC EXP. VALVE (M5)	85 NA TAPPING SCREW (M5)
29	060321J	UNION JOINT (M5)	86 2547386 MOUNTING PLATE (TERMINAL STRIP) (M5)
30	131823J	STRAINER (FOR REF.) (M5)	87 2433365 MOUNTING PLATE (TERMINAL BLOCK) (M5)
31	2433118	LIQUID STOP VALVE ASSY. (M5)	88 2425751 TERMINAL BLOCK (M5)
32	008529J	STRAINER (FOR REF.) (M5)	89 2371498 TERMINAL BLOCK (M5)
33	1303896	FIXTURE/ THERMISTOR (M5)	90 1786749 WASHER (FOR EARTH) (M5)
34	2433745	THERMISTOR ASSY. (LIQ) (M5)	91 NA DOUBLE WASHER MACHINE SCREW (M5)
35	2533582	PUTTY (M5)	92 071124J CUPPLING WASHER (M5)
36	2547647	PUTTY (LIQUID HEADER) (M5)	93 119839J TAPPING SCREW (M5)
37	4020240	PUTTY (EV) (M5)	94 6025165 PRINTED CIRCUIT BOARD ASSY. (SERVICE) (M5)
38	2433752	HEADER ASSY. (GAS) (M5)	95 1728464 SPACER (PCB) (M5)
39	2433776	THERMISTOR ASSY. (GAS) (M5)	96 2115472 SPACER (PCB) (M5)
40	380120J	FITTING SPRING/ THERMISTOR (M5)	97 NA TAPPING SCREW (M5)
41	2433163	GAS STOP VALVE ASSY. (SUB) (M5)	98 NA PAN HEAD MACHINE SCREW (M5)
42	2433187	SINGLE UNION JOINT ASSY. (M5)	99 2547387 INDICATION LABEL (TERMINAL) (M5)
43	2433194	SINGLE UNION JOINT ASSY. (M5)	100 4018105 TERMINAL BLOCK (POWER SUPPLY) (M5)
44	2433202	SINGLE UNION JOINT ASSY. (M5)	101 NA PAN HEAD TAPPING SCREW (M5)
45	2433219	MUFFLER (M5)	102 6026826 COVER (M5)
46	2547383	RETAINER/ UNION JOINT (M5)	103 2433389 SWITCH COVER (M5)
47	2547384	RETAINER/ UNION JOINT (M5)	104 2570006 THERMISTOR ASSY. (M5)
48	2547385	RETAINER/ UNION JOINT (M5)	105 2570007 WIRE HARNESS ASSY. (M5)
49	084233J	RETAINER/ UNION JOINT (M5)	106 2433411 DRIP PROOF PLATE (FRONT) (M5)
50	2570001	ELECTRONIC EXP. VALVE ASSY. (BYPASS) (M5)	107 2433428 DRIP PROOF PLATE (RIGHT) (M5)
51	2533579	BODY/ ELECTRONIC EXP. VALVE (M5)	108 2433435 4-WAY VALVE COIL ASSY. (M5)
52	NA	CAPILLARY TUBE (BYPASS) (M5)	109 2433442 WIRE HARNESS (FOR COMP.) (M5)
53	111167J	STRAINER (M5)	110 2570008 COIL/ EL. EXPANSION VALVE ASSY. (M5)
54	2158703	VALVE CAP (M5)	111 2570009 COIL/ EL. EXPANSION VALVE (M5)
55	2159232	VALVE CAP (M5)	112 2570010 COIL/ EL. EXPANSION VALVE (M5)
56	1723546	FLARE NUT (M5)	113 2570011 COIL/ EL. EXPANSION VALVE (M5)
57	119848J	FLARE NUT (M5)	114 2570012 COIL/ EL. EXPANSION VALVE (M5)

5MXM48AVJU9

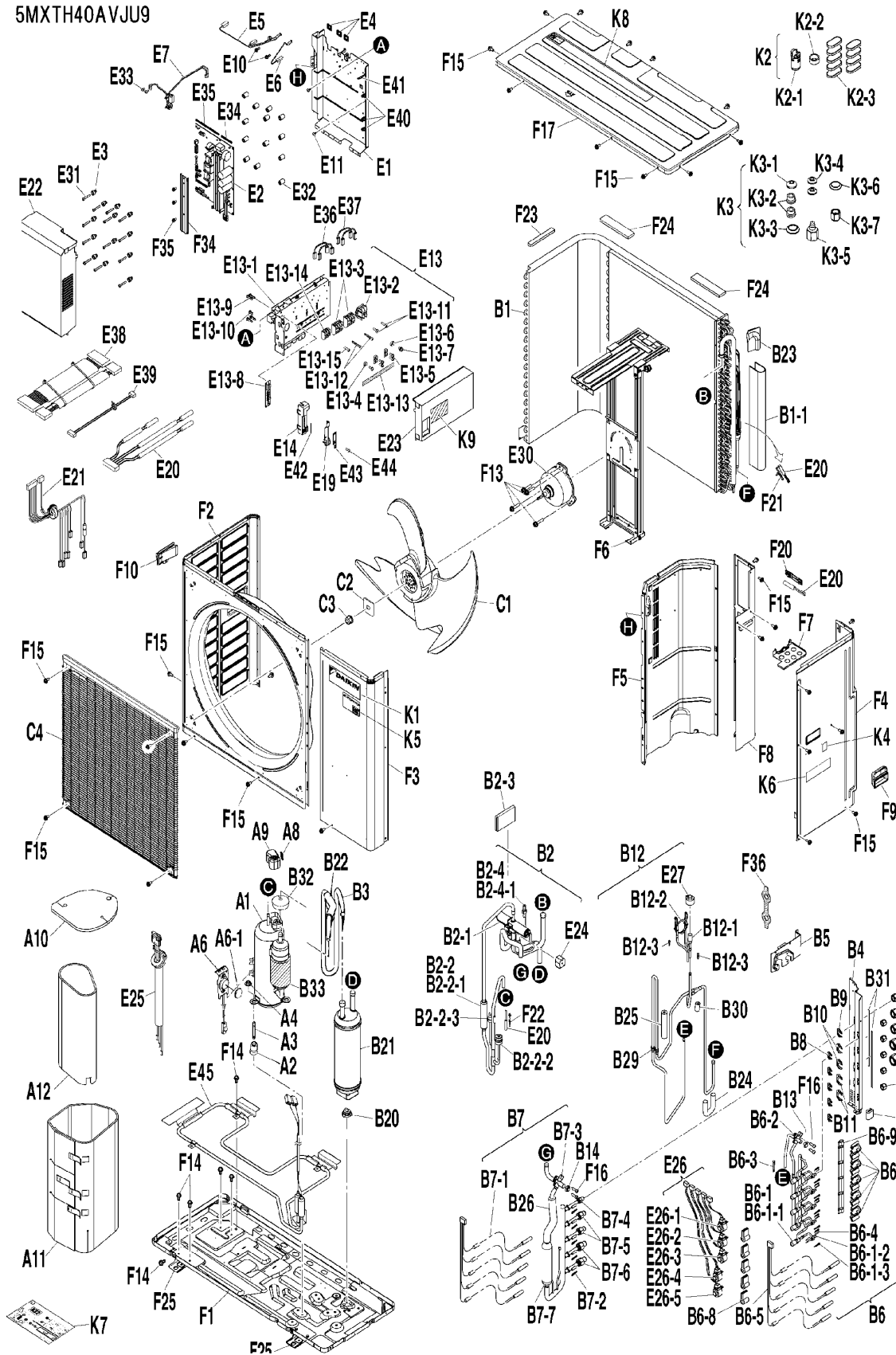
Ref. Part No:	Ref. Part No:	Description:	Description:
Image 1:		Image 1:	
115	2570013	COIL/ EL. EXPANSION VALVE (M5)	172 2561739 ADDITIONAL REFR. CHARGE LABEL (M5)
116	2570014	COIL/ EL. EXP. VALVE ASSY. (BYPASS) (M5)	173 NA CAUTION LABEL (SUPERCARGO) (M5)
117	2570015	DC FAN MOTOR ASSY. (M5)	174 NA CAUTION LABEL (ELECTRIC SHOCK) (M5)
118	NA	PAN HEAD MACHINE SCREW (M5)	
119	2079110	INSULATING SUPPORT (M5)	
120	NA	TAPPING SCREW (M5)	
121	2433512	WIRING PROTECTION BUSH (EDGING) (M5)	
122	2433529	WIRING PROTECTION BUSH (EDGING) (M5)	
123	2561310	WIRE HARNESS (TERMINAL STRIP) (M5)	
124	2561311	WIRE HARNESS (TERMINAL STRIP) (M5)	
125	2433536	WIRE HARNESS ASSY. (SERVICE PCB) (M5)	
126	2570005	WIRE HARNESS (PCB-OL CONNECTION) (M5)	
127	027843J	WIRE CLIP (M5)	
128	0980106	HARNESS LIFTER (M5)	
129	2570512	INDICATION LABEL (SERVICE PCB) (M5)	
130	NA	INDICATION LABEL (SWITCH COVER) (M5)	
131	040908J	TRUSS HEAD SCREW (M5)	
132	2433567	BOTTOM FRAME ASSY. (M5)	
133	2433574	FRONT PLATE (1) (M5)	
134	2570016	FRONT PLATE (2) (M5)	
135	2570017	RIGHT SIDE PLATE ASSY. (M5)	
136	2570018	PARTITION PLATE ASSY. (M5)	
137	2570019	FAN MOTOR STAND ASSY. (M5)	
138	2433620	PARTITION PLATE ASSY. (2) (M5)	
139	2570020	REAR PLATE ASSY. (M5)	
140	092045J	HANDLE (M5)	
141	2433644	HANDLE (LEFT) (M5)	
142	2120405	HEX TAPPING SCREW (3) (M5)	
143	131453J	TRUSS HEAD TAPPING SCREW (M5)	
144	NA	HEX HEAD TAPPING SCREW (M5)	
145	NA	PAN HEAD TAPPING SCREW (M5)	
146	2433651	TOP PLATE ASSY. (M5)	
147	2546498	THERMISTOR FIXING PLATE (M5)	
148	380120J	FITTING SPRING/ THERMISTOR (M5)	
149	042396J	FITTING SPRING/ THERMISTOR (M5)	
150	2433668	CUSHION MATERIAL (HEAT EXCHANGER) (M5)	
151	2433675	CUSHION MATERIAL (HEAT EXCHANGER 2) (M5)	
152	2433682	INSTALLATION LEG (M5)	
153	6024610	COVER/ JACKET (M5)	
154	4016867	HEX BOLT (M5)	
155	2570023	SIDE CAP (TBM SERVICE PORT)(SNAP) (M5)	
156	2570523	BRAND NAME LABEL (M5)	
157	NA	ACCESSORY SET (DRAIN SOCKET) (M5)	
158	2433699	DRAIN SOCKET (M5)	
159	2433707	DRAIN JOINT (M5)	
160	2433714	CAP (DRAIN) (M5)	
161	NA	REDUCER ASSY. (M5)	
162	257553J	GASKET/ REDUCING JOINT (M5)	
163	257712J	GASKET/ REDUCING JOINT (M5)	
164	257555J	GASKET/ REDUCING JOINT (M5)	
165	257709J	GASKET/ REDUCING JOINT (M5)	
166	257503J	REDUCING JOINT (M5)	
167	257511	FLARE GASKET (M5)	
168	119848J	FLARE NUT (M5)	
169	NA	PRODUCT LIABILITY CAUTION LABEL (M5)	
170	4015454	LABEL NAME PLATE (INVERTER/ R32) (M5)	
171	NA	CAUTION LABEL (DUCT) (M5)	

Expanded Model Nomenclature

- M1 - 3MXTH24A VJU9
- M2 - 3MXT24A VJU9
- M3 - 4MXTH36A VJU9
- M4 - 4MXT36A VJU9
- M5 - 5MXM48A VJU9
- M6 - 5MXTH40A VJU9
- M7 - 5MXT40A VJU9

5MXTH40AVJU9

5MXTH40AVJU9



Picture Key	
Ref #	Picture #
1	A1
2	A2
3	A3
4	A4
5	A6
6	A5-1
7	A8
8	A9
9	A10
10	A11
11	A12
12	B1
13	B1-1
14	B2
15	B2-1
16	B2-2
17	B2-2-1
18	B2-2-2
19	B2-2-3
20	B2-3
21	B2-4
22	B2-4-1
23	B3
24	B4
25	B5
26	B6
27	B6-1
28	B6-1-1
29	B6-1-2
30	B6-1-3
31	B6-2
32	B6-3
33	B6-4
34	B6-5
35	B6-6
36	B6-7
37	B6-10
38	B7
39	B7-1
40	B7-2
41	B7-3
42	B7-4
43	B7-5
44	B7-6
45	B7-7
46	B8
47	B9
48	B10
49	B11
50	B12
51	B12-1
52	B12-2
53	B12-3
54	B13
55	B14
56	B15
57	B16
58	B17
59	B18
60	B19
61	B20
62	B21
63	B22
64	B23
65	B24
66	B25
67	B26
68	B27
69	B28
70	B29
71	B30
72	B31
73	C1
74	C2
75	C3
76	C4
77	E1
78	E2
79	E3
80	E4
81	E5
82	E6
83	E7
84	E10
85	E11
86	E13
87	E13-1
88	E13-2
89	E13-3
90	E13-4
91	E13-5
92	E13-6
93	E13-7
94	E13-8
95	E13-9
96	E13-10
97	E13-11
98	E13-12
99	E13-13
100	E13-14
101	E13-15
102	E14
103	E19
104	E20
105	E21
106	E22
107	E23
108	E24
109	E25
110	E26
111	E26-1
112	E26-2
113	E26-3
114	E26-4
115	E26-5
116	E26-6
117	E27
118	E28
119	E29
120	E30
121	E31
122	E32
123	E33
124	E34
125	E35
126	E36
127	E37
128	E38
129	E39
130	E40
131	E41
132	E42
133	E43
134	E44
135	E45
136	F1
137	F2
138	F3
139	F4
140	F5
141	F6
142	F7
143	F8
144	F9
145	F10
146	F11
147	F12
148	F13
149	F14
150	F15
151	F16
152	F17
153	F18
154	F19
155	F20
156	F21
157	F22
158	F23
159	F24
160	F25
161	F26
162	F27
163	F28
164	F29
165	F30
166	F31
167	F32
168	F33
169	F34
170	F35
171	F36
172	G1
173	G2
174	G3
175	G4
176	G5
177	G6
178	G7
179	G8
180	G9
181	G10
182	G11
183	G12
184	G13
185	G14
186	G15
187	G16
188	G17
189	G18
190	G19
191	G20
192	G21
193	G22
194	G23
195	G24
196	G25
197	G26
198	G27
199	G28
200	G29
201	G30
202	G31
203	G32
204	G33
205	G34
206	G35
207	G36
208	G37
209	G38
210	G39
211	G40
212	G41
213	G42
214	G43
215	G44
216	G45
217	G46
218	G47
219	G48
220	G49
221	G50
222	G51
223	G52
224	G53
225	G54
226	G55
227	G56
228	G57
229	G58
230	G59
231	G60
232	G61
233	G62
234	G63
235	G64
236	G65
237	G66
238	G67
239	G68
240	G69
241	G70
242	G71
243	G72
244	G73
245	G74
246	G75
247	G76
248	G77
249	G78
250	G79
251	G80
252	G81
253	G82
254	G83
255	G84
256	G85
257	G86
258	G87
259	G88
260	G89
261	G90
262	G91
263	G92
264	G93
265	G94
266	G95
267	G96
268	G97
269	G98
270	G99
271	G100
272	G101
273	G102
274	G103
275	G104
276	G105
277	G106
278	G107
279	G108
280	G109
281	G110
282	G111
283	G112
284	G113
285	G114
286	G115
287	G116
288	G117
289	G118
290	G119
291	G120
292	G121
293	G122
294	G123
295	G124
296	G125
297	G126
298	G127
299	G128
300	G129
301	G130
302	G131
303	G132
304	G133
305	G134
306	G135
307	G136
308	G137
309	G138
310	G139
311	G140
312	G141
313	G142
314	G143
315	G144
316	G145
317	G146
318	G147
319	G148
320	G149
321	G150
322	G151
323	G152
324	G153
325	G154
326	G155
327	G156
328	G157
329	G158
330	G159
331	G160
332	G161
333	G162
334	G163
335	G164
336	G165
337	G166
338	G167
339	G168
340	G169
341	G170
342	G171
343	G172
344	G173
345	G174
346	G175
347	G176
348	G177
349	G178
350	G179
351	G180
352	G181
353	G182
354	G183
355	G184
356	G185
357	G186
358	G187
359	G188
360	G189
361	G190
362	G191
363	G192
364	G193
365	G194
366	G195
367	G196
368	G197
369	G198
370	G199
371	G200
372	G201
373	G202
374	G203
375	G204
376	G205
377	G206
378	G207
379	G208
380	G209
381	G210
382	G211
383	G212
384	G213
385	G214
386	G215
387	G216
388	G217
389	G218
390	G219
391	G220
392	G221
393	G222
394	G223
395	G224
396	G225
397	G226
398	G227
399	G228
400	G229
401	G230
402	G231
403	G232
404	G233
405	G234
406	G235
407	G236
408	G237
409	G238
410	G239
411	G240
412	G241
413	G242
414	G243
415	G244
416	G245
417	G246
418	G247
419	G248
420	G249
421	G250
422	G251
423	G252
424	G253
425	G254
426	G255
427	G256
428	G257
429	G258
430	G259
431	G260
432	G261
433	G262
434	G263
435	G264
436	G265
437	G266
438	G267
439	G268
440	G269
441	G270
442	G271
443	G272
444	G273
445	G274
446	G275
447	G276
448	G277
449	G278
450	G279
451	G280
452	G281
453	G282
454	G283
455	G284
456	G285
457	G286
458	G287
459	G288
460	G289
461	G290
462	G291
463	G292
464	G293
465	G294
466	G295
467	G296
468	G297
469	G298
470	G299
471	G300
472	G301
473	G302
474	G303
475	G304
476	G305
477	G306
478	G307
479	G308
480	G309
481	G310
482	G311
483	G312
484	G313
485	G314
486	G315
487	G316
488	G317
489	G318
490	G319
491	G320
492	G321
493	G322
494	G323
495	G324
496	G325
497	G326
498	G327
499	G328
500	G329
501	G330
502	G331
503	G332
504	G333
505	G334
506	G335
507	G336
508	G337
509	G338
510	G339
511	G340
512	G341
513	G342
514	G343
515	G344
516	G345
517	G346
518	G347
519	G348
520	G349
521	G350
522	G351
523	G352
524	G353
525	G354
526	G355
527	G356
528	G357
529	G358
530	G359
531	G360
532	G361
533	G362
534	G363
535	G364
536	G365
537	G366
538	G367
539	G368
540	G369
541	G370
542	G371
543	G372
544	G373
545	G374
546	G375
547	G376
548	G377
549	G378
550	G379
551	G380
552	G381
553	G382
554	G383
555	G384
556	G385
557	G386
558	G387
559	G388
560	G389
561	G390
562	G391
563	G392
564	G393
565	G394
566	G395
567	G396
568	G397
569	G398
570	G399
571	G400
572	G401
573	G402
574	G403
575	G404
576	G405
577	G406
578	G407
579	G408
580	G409
581	G410
582	G411
583	G412
584	G413
585	G414
586	G415
587	G416
588	G417
589	

5MXTH40AVJU9

Ref. Part No:	Description:	Ref. Part No:	Description:
Image 1:		Image 1:	
1	2563525 COMPRESSOR ASSY. (M6)	58	119849J FLARE NUT (M6)
2	2115782 VIBRATION ISOLATOR (M6)	59	119850J FLARE NUT (M6)
3	2119809 COMPRESSOR MOUNTING BOLT (M6)	60	161975J CUSHION RUBBER (M6)
4	4010410 WASHER (NUT WITH WASHER) (M6)	61	2433233 ACCUMULATOR ASSY. (M6)
5	2433017 RETAINER ASSY. (M6)	62	2570026 PUTTY (SUCTION PIPE) (M6)
6	2428527 RADIATION SHEET (M6)	63	1630613 CUSHION MATERIAL (M6)
7	040139J RUBBER BUSH/ LEAD WIRE (M6)	64	2433257 THERMAL INSULATION TUBE (M6)
8	2425597 TERMINAL COVER (M6)	65	2433264 THERMAL INSULATION TUBE (M6)
9	2433024 SOUND INSULATION (TOP) (M6)	66	2547648 THERMAL INSULATION TUBE (M6)
10	2570021 SOUND INSULATION (SLEEVE) (M6)	67	NA CUSHION MATERIAL (2) (M6)
11	2570022 SOUND INSULATION (INSIDE SLEEVE) (M6)	68	2433132 PIPING FIXTURE (M6)
12	2569997 HEAT EXCHANGER ASSY. (M6)	69	2433149 THERMAL INSULATION TUBE (M6)
13	NA PUTTY (HEAT EXCHANGER) (M6)	70	NA LABEL (SNAP) (M6)
14	NA FOUR WAY VALVE ASSY. (M6)	71	2567109 SOUNDPROOF PUTTY (M6)
15	2564690 FOUR WAY VALVE BODY (M6)	72	2532934 SOUNDPROOF PUTTY (M6)
16	NA DISCHARGE PIPE ASSY. (M6)	73	2433271 PROPELLER FAN (M6)
17	2433079 MUFFLER (M6)	74	2569111 FAN ROTATION STOPPER (M6)
18	2534983 HIGH PRESSURE SWITCH (M6)	75	847003J LOCK NUT/ FAN (M6)
19	2276029 PRESSURE SENSOR (M6)	76	2433288 DISCHARGE GRILLE ASSY. (M6)
20	2540629 PUTTY (HEAT RESISTANT) (M6)	77	2433295 EL. COMPO. MOUNTING PLATE (M6)
21	NA CONNECTION PIPE (4V-ACC) ASSY. (M6)	78	2570516 PRINTED CIRCUIT BOARD ASSY. (M6)
22	1721122 FUSIBLE PLUG (M6)	79	109994J SUPPORTING BUSH (M6)
23	NA SUCTION PIPE (M6)	80	094708J EDGE SADDLE (M6)
24	2433721 STOP VALVE MOUNTING PLATE (M6)	81	2570002 EARTH WIRE (M6)
25	2433093 STOP VALVE MOUNTING PLATE (UPPER) (M6)	82	2570003 EARTH WIRE (M6)
26	2569999 HEADER ASSY. (LIQUID) (M6)	83	2570004 WIRE HARNESS ASSY. (POWER) (M6)
27	2570000 ELECTRONIC EXP. VALVE ASSY. (M6)	84	NA GROUNDING TERMINAL (M6)
28	2533579 BODY/ ELECTRONIC EXP. VALVE (M6)	85	NA TAPPING SCREW (M6)
29	060321J UNION JOINT (M6)	86	2547386 MOUNTING PLATE (TERMINAL STRIP) (M6)
30	131823J STRAINER (FOR REF.) (M6)	87	2433365 MOUNTING PLATE (TERMINAL BLOCK) (M6)
31	2433118 LIQUID STOP VALVE ASSY. (M6)	88	2425751 TERMINAL BLOCK (M6)
32	008529J STRAINER (FOR REF.) (M6)	89	2371498 TERMINAL BLOCK (M6)
33	1303896 FIXTURE/ THERMISTOR (M6)	90	1786749 WASHER (FOR EARTH) (M6)
34	2433745 THERMISTOR ASSY. (LIQ) (M6)	91	NA DOUBLE WASHER MACHINE SCREW (M6)
35	2533582 PUTTY (M6)	92	071124J CUPPLING WASHER (M6)
36	2547647 PUTTY (LIQUID HEADER) (M6)	93	119839J TAPPING SCREW (M6)
37	4020240 PUTTY (EV) (M6)	94	6025165 PRINTED CIRCUIT BOARD ASSY. (SERVICE) (M6)
38	2433752 HEADER ASSY. (GAS) (M6)	95	1728464 SPACER (PCB) (M6)
39	2433776 THERMISTOR ASSY. (GAS) (M6)	96	2115472 SPACER (PCB) (M6)
40	380120J FITTING SPRING/ THERMISTOR (M6)	97	NA TAPPING SCREW (M6)
41	2433163 GAS STOP VALVE ASSY. (SUB) (M6)	98	NA PAN HEAD MACHINE SCREW (M6)
42	2433187 SINGLE UNION JOINT ASSY. (M6)	99	2547387 INDICATION LABEL (TERMINAL) (M6)
43	2433194 SINGLE UNION JOINT ASSY. (M6)	100	4018105 TERMINAL BLOCK (POWER SUPPLY) (M6)
44	2433202 SINGLE UNION JOINT ASSY. (M6)	101	NA PAN HEAD TAPPING SCREW (M6)
45	2433219 MUFFLER (M6)	102	6026826 COVER (M6)
46	2547383 RETAINER/ UNION JOINT (M6)	103	2433389 SWITCH COVER (M6)
47	2547384 RETAINER/ UNION JOINT (M6)	104	2570006 THERMISTOR ASSY. (M6)
48	2547385 RETAINER/ UNION JOINT (M6)	105	2570007 WIRE HARNESS ASSY. (M6)
49	084233J RETAINER/ UNION JOINT (M6)	106	2433411 DRIP PROOF PLATE (FRONT) (M6)
50	2570001 ELECTRONIC EXP. VALVE ASSY. (BYPASS) (M6)	107	2433428 DRIP PROOF PLATE (RIGHT) (M6)
51	2533579 BODY/ ELECTRONIC EXP. VALVE (M6)	108	2433435 4-WAY VALVE COIL ASSY. (M6)
52	NA CAPILLARY TUBE (BYPASS) (M6)	109	2433442 WIRE HARNESS (FOR COMP.) (M6)
53	111167J STRAINER (M6)	110	2570008 COIL/ EL. EXPANSION VALVE ASSY. (M6)
54	2158703 VALVE CAP (M6)	111	2570009 COIL/ EL. EXPANSION VALVE (M6)
55	2159232 VALVE CAP (M6)	112	2570010 COIL/ EL. EXPANSION VALVE (M6)
56	1723546 FLARE NUT (M6)	113	2570011 COIL/ EL. EXPANSION VALVE (M6)
57	119848J FLARE NUT (M6)	114	2570012 COIL/ EL. EXPANSION VALVE (M6)

5MXTH40AVJU9

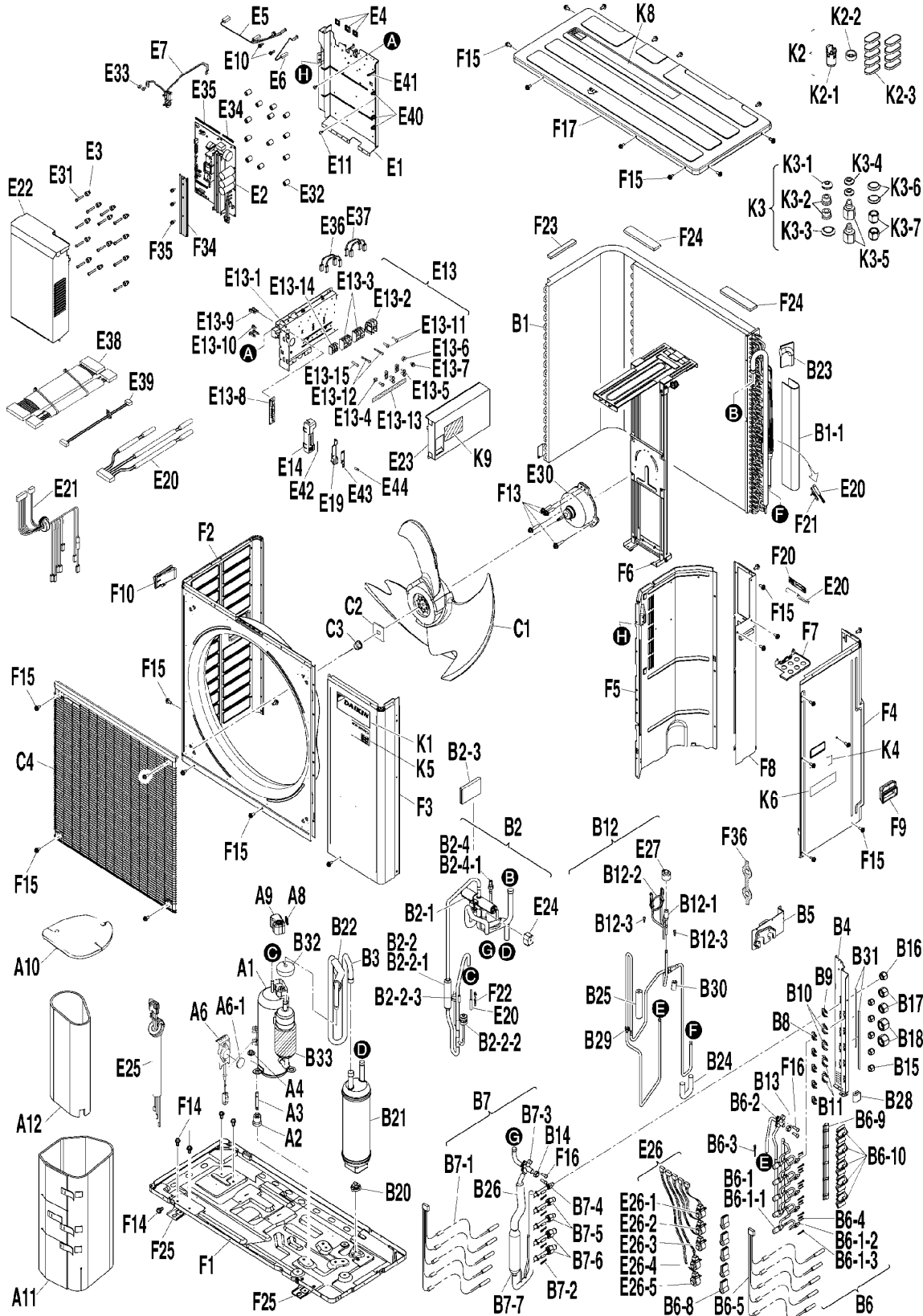
Ref. Part No:	Ref. Part No:	Description:	Description:
Image 1:		Image 1:	
115	2570013	COIL/ EL. EXPANSION VALVE (M6)	172 2561739 ADDITIONAL REFR. CHARGE LABEL (M6)
116	2570014	COIL/ EL. EXP. VALVE ASSY. (BYPASS) (M6)	173 NA CAUTION LABEL (SUPERCARGO) (M6)
117	2570015	DC FAN MOTOR ASSY. (M6)	174 NA CAUTION LABEL (ELECTRIC SHOCK) (M6)
118	NA	PAN HEAD MACHINE SCREW (M6)	
119	2079110	INSULATING SUPPORT (M6)	
120	NA	TAPPING SCREW (M6)	
121	2433512	WIRING PROTECTION BUSH (EDGING) (M6)	
122	2433529	WIRING PROTECTION BUSH (EDGING) (M6)	
123	2561310	WIRE HARNESS (TERMINAL STRIP) (M6)	
124	2561311	WIRE HARNESS (TERMINAL STRIP) (M6)	
125	2433536	WIRE HARNESS ASSY. (SERVICE PCB) (M6)	
126	2570005	WIRE HARNESS (PCB-OL CONNECTION) (M6)	
127	027843J	WIRE CLIP (M6)	
128	0980106	HARNESS LIFTER (M6)	
129	2570512	INDICATION LABEL (SERVICE PCB) (M6)	
130	NA	INDICATION LABEL (SWITCH COVER) (M6)	
131	040908J	TRUSS HEAD SCREW (M6)	
132	2433567	BOTTOM FRAME ASSY. (M6)	
133	2433574	FRONT PLATE (1) (M6)	
134	2570016	FRONT PLATE (2) (M6)	
135	2570017	RIGHT SIDE PLATE ASSY. (M6)	
136	2570018	PARTITION PLATE ASSY. (M6)	
137	2570019	FAN MOTOR STAND ASSY. (M6)	
138	2433620	PARTITION PLATE ASSY. (2) (M6)	
139	2570020	REAR PLATE ASSY. (M6)	
140	092045J	HANDLE (M6)	
141	2433644	HANDLE (LEFT) (M6)	
142	2120405	HEX TAPPING SCREW (3) (M6)	
143	131453J	TRUSS HEAD TAPPING SCREW (M6)	
144	NA	HEX HEAD TAPPING SCREW (M6)	
145	NA	PAN HEAD TAPPING SCREW (M6)	
146	2433651	TOP PLATE ASSY. (M6)	
147	2546498	THERMISTOR FIXING PLATE (M6)	
148	380120J	FITTING SPRING/ THERMISTOR (M6)	
149	042396J	FITTING SPRING/ THERMISTOR (M6)	
150	2433668	CUSHION MATERIAL (HEAT EXCHANGER) (M6)	
151	2433675	CUSHION MATERIAL (HEAT EXCHANGER 2) (M6)	
152	2433682	INSTALLATION LEG (M6)	
153	6024610	COVER/ JACKET (M6)	
154	4016867	HEX BOLT (M6)	
155	2570023	SIDE CAP (TBM SERVICE PORT)(SNAP) (M6)	
156	2570024	BRAND NAME LABEL (M6)	
157	NA	ACCESSORY SET (DRAIN SOCKET) (M6)	
158	2433699	DRAIN SOCKET (M6)	
159	2433707	DRAIN JOINT (M6)	
160	2433714	CAP (DRAIN) (M6)	
161	NA	REDUCER ASSY. (M6)	
162	257553J	GASKET/ REDUCING JOINT (M6)	
163	257712J	GASKET/ REDUCING JOINT (M6)	
164	257555J	GASKET/ REDUCING JOINT (M6)	
165	257709J	GASKET/ REDUCING JOINT (M6)	
166	257503J	REDUCING JOINT (M6)	
167	257511	FLARE GASKET (M6)	
168	119848J	FLARE NUT (M6)	
169	NA	PRODUCT LIABILITY CAUTION LABEL (M6)	
170	4015454	LABEL NAME PLATE (INVERTER/ R32) (M6)	
171	NA	CAUTION LABEL (DUCT) (M6)	

Expanded Model Nomenclature

- M1 - 3MXTH24A VJU9
- M2 - 3MXT24A VJU9
- M3 - 4MXTH36A VJU9
- M4 - 4MXT36A VJU9
- M5 - 5MXM48A VJU9
- M6 - 5MXTH40A VJU9
- M7 - 5MXT40A VJU9

5MXT40AVJU9

5MXT40AVJU9



Picture Key	
Ref #	Picture #
1	A1
2	A2
3	A3
4	A4
5	A6
6	A6-1
7	A8
8	A9
9	A10
10	A11
11	A12
12	B1
13	B1-1
14	B2
15	B2-1
16	B2-2
17	B2-2-1
18	B2-2-2
19	B2-2-3
20	B2-3
21	B2-4
22	B2-4-1
23	B3
24	B4
25	B5
26	B6
27	B6-1
28	B6-1-1
29	B6-1-2
30	B6-1-3
31	B6-2
32	B6-3
33	B6-4
34	B6-5
35	B6-6
36	B6-7
37	B6-8
38	B7
39	B7-1
40	B7-2
41	B7-3
42	B7-4
43	B7-5
44	B7-6
45	B7-7
46	B8
47	B9
48	B10
49	B11
50	B12
51	B12-1
52	B12-2
53	B12-3
54	B13
55	B14
56	B15
57	B16
58	B17
59	B18
60	B19
61	B20
62	B21
63	B22
64	B23
65	B24
66	B25
67	B26
68	B27
69	B28
70	B29
71	B30
72	B31
73	C1
74	C2
75	C3
76	C4
77	E1
78	E2
79	E3
80	E4
81	E5
82	E6
83	E7
84	E10
85	E11
86	E13
87	E13-1
88	E13-2
89	E13-3
90	E13-4
91	E13-5
92	E13-6
93	E13-7
94	E13-8
95	E13-9
96	E13-10
97	E13-11
98	E13-12
99	E13-13
100	E13-14
101	E13-15
102	E14
103	E19
104	E20
105	E21
106	E22
107	E23
108	E24
109	E25
110	E26
111	E26-1
112	E26-2
113	E26-3
114	E26-4
115	E26-5
116	E27
117	E30
118	E31
119	E32
120	E33
121	E34
122	E35
123	E36
124	E37
125	E38
126	E39
127	E40
128	E41
129	E42
130	E43
131	E44
132	E45
133	F1
134	F2
135	F3
136	F4
137	F5
138	F6
139	F7
140	F8
141	F9
142	F10
143	F11
144	F12
145	F13
146	F14
147	F15
148	F16
149	F17
150	F18
151	F19
152	F20
153	F21
154	F22
155	F23
156	F24
157	F25
158	F26
159	K1
160	K2
161	K2-1
162	K2-2
163	K2-3
164	K3
165	K3-1
166	K3-2
167	K3-3
168	K3-4
169	K3-5
170	K3-6
171	K3-7
172	K4
173	K5
174	K6
175	K9

5MXT40AVJU9

Ref. Part No:	Ref. Part No:	Description:	Description:
Image 1:		Image 1:	
1	2563525	COMPRESSOR ASSY. (M7)	58 119849J FLARE NUT (M7)
2	2115782	VIBRATION ISOLATOR (M7)	59 119850J FLARE NUT (M7)
3	2119809	COMPRESSOR MOUNTING BOLT (M7)	60 161975J CUSHION RUBBER (M7)
4	4010410	WASHER (NUT WITH WASHER) (M7)	61 2433233 ACCUMULATOR ASSY. (M7)
5	2433017	RETAINER ASSY. (M7)	62 2570026 PUTTY (SUCTION PIPE) (M7)
6	2428527	RADIATION SHEET (M7)	63 1630613 CUSHION MATERIAL (M7)
7	040139J	RUBBER BUSH/ LEAD WIRE (M7)	64 2433257 THERMAL INSULATION TUBE (M7)
8	2425597	TERMINAL COVER (M7)	65 2433264 THERMAL INSULATION TUBE (M7)
9	2433024	SOUND INSULATION (TOP) (M7)	66 2547648 THERMAL INSULATION TUBE (M7)
10	2570021	SOUND INSULATION (SLEEVE) (M7)	67 NA CUSHION MATERIAL (2) (M7)
11	2570022	SOUND INSULATION (INSIDE SLEEVE) (M7)	68 2433132 PIPING FIXTURE (M7)
12	2569997	HEAT EXCHANGER ASSY. (M7)	69 2433149 THERMAL INSULATION TUBE (M7)
13	NA	PUTTY (HEAT EXCHANGER) (M7)	70 NA LABEL (SNAP) (M7)
14	NA	FOUR WAY VALVE ASSY. (M7)	71 2567109 SOUNDPROOF PUTTY (M7)
15	2564690	FOUR WAY VALVE BODY (M7)	72 2532934 SOUNDPROOF PUTTY (M7)
16	NA	DISCHARGE PIPE ASSY. (M7)	73 2433271 PROPELLER FAN (M7)
17	2433079	MUFFLER (M7)	74 2569111 FAN ROTATION STOPPER (M7)
18	2534983	HIGH PRESSURE SWITCH (M7)	75 847003J LOCK NUT/ FAN (M7)
19	2276029	PRESSURE SENSOR (M7)	76 2433288 DISCHARGE GRILLE ASSY. (M7)
20	2540629	PUTTY (HEAT RESISTANT) (M7)	77 2433295 EL. COMPO. MOUNTING PLATE (M7)
21	NA	CONNECTION PIPE (4V-ACC) ASSY. (M7)	78 2570518 PRINTED CIRCUIT BOARD ASSY. (M7)
22	1721122	FUSIBLE PLUG (M7)	79 109994J SUPPORTING BUSH (M7)
23	NA	SUCTION PIPE (M7)	80 094708J EDGE SADDLE (M7)
24	2433721	STOP VALVE MOUNTING PLATE (M7)	81 2570002 EARTH WIRE (M7)
25	2433093	STOP VALVE MOUNTING PLATE (UPPER) (M7)	82 2570003 EARTH WIRE (M7)
26	2569999	HEADER ASSY. (LIQUID) (M7)	83 2570004 WIRE HARNESS ASSY. (POWER) (M7)
27	2570000	ELECTRONIC EXP. VALVE ASSY. (M7)	84 NA GROUNDING TERMINAL (M7)
28	2533579	BODY/ ELECTRONIC EXP. VALVE (M7)	85 NA TAPPING SCREW (M7)
29	060321J	UNION JOINT (M7)	86 2547386 MOUNTING PLATE (TERMINAL STRIP) (M7)
30	131823J	STRAINER (FOR REF.) (M7)	87 2433365 MOUNTING PLATE (TERMINAL BLOCK) (M7)
31	2433118	LIQUID STOP VALVE ASSY. (M7)	88 2425751 TERMINAL BLOCK (M7)
32	008529J	STRAINER (FOR REF.) (M7)	89 2371498 TERMINAL BLOCK (M7)
33	1303896	FIXTURE/ THERMISTOR (M7)	90 1786749 WASHER (FOR EARTH) (M7)
34	2433745	THERMISTOR ASSY. (LIQ) (M7)	91 NA DOUBLE WASHER MACHINE SCREW (M7)
35	2533582	PUTTY (M7)	92 071124J CUPPLING WASHER (M7)
36	2547647	PUTTY (LIQUID HEADER) (M7)	93 119839J TAPPING SCREW (M7)
37	4020240	PUTTY (EV) (M7)	94 6025165 PRINTED CIRCUIT BOARD ASSY. (SERVICE) (M7)
38	2433752	HEADER ASSY. (GAS) (M7)	95 1728464 SPACER (PCB) (M7)
39	2433776	THERMISTOR ASSY. (GAS) (M7)	96 2115472 SPACER (PCB) (M7)
40	380120J	FITTING SPRING/ THERMISTOR (M7)	97 NA TAPPING SCREW (M7)
41	2433163	GAS STOP VALVE ASSY. (SUB) (M7)	98 NA PAN HEAD MACHINE SCREW (M7)
42	2433187	SINGLE UNION JOINT ASSY. (M7)	99 2547387 INDICATION LABEL (TERMINAL) (M7)
43	2433194	SINGLE UNION JOINT ASSY. (M7)	100 4018105 TERMINAL BLOCK (POWER SUPPLY) (M7)
44	2433202	SINGLE UNION JOINT ASSY. (M7)	101 NA PAN HEAD TAPPING SCREW (M7)
45	2433219	MUFFLER (M7)	102 6026826 COVER (M7)
46	2547383	RETAINER/ UNION JOINT (M7)	103 2433389 SWITCH COVER (M7)
47	2547384	RETAINER/ UNION JOINT (M7)	104 2570006 THERMISTOR ASSY. (M7)
48	2547385	RETAINER/ UNION JOINT (M7)	105 2570007 WIRE HARNESS ASSY. (M7)
49	084233J	RETAINER/ UNION JOINT (M7)	106 2433411 DRIP PROOF PLATE (FRONT) (M7)
50	2570001	ELECTRONIC EXP. VALVE ASSY. (BYPASS) (M7)	107 2433428 DRIP PROOF PLATE (RIGHT) (M7)
51	2533579	BODY/ ELECTRONIC EXP. VALVE (M7)	108 2433435 4-WAY VALVE COIL ASSY. (M7)
52	NA	CAPILLARY TUBE (BYPASS) (M7)	109 2433442 WIRE HARNESS (FOR COMP.) (M7)
53	111167J	STRAINER (M7)	110 2570008 COIL/ EL. EXPANSION VALVE ASSY. (M7)
54	2158703	VALVE CAP (M7)	111 2570009 COIL/ EL. EXPANSION VALVE (M7)
55	2159232	VALVE CAP (M7)	112 2570010 COIL/ EL. EXPANSION VALVE (M7)
56	1723546	FLARE NUT (M7)	113 2570011 COIL/ EL. EXPANSION VALVE (M7)
57	119848J	FLARE NUT (M7)	114 2570012 COIL/ EL. EXPANSION VALVE (M7)

5MXT40AVJU9

Ref. Part No: No:	Description:	Ref. Part No: No:	Description:							
Image 1:		Image 1:								
115	2570013 COIL/ EL. EXPANSION VALVE (M7)	172	NA CAUTION LABEL (DUCT) (M7)							
116	2570014 COIL/ EL. EXP. VALVE ASSY. (BYPASS) (M7)	173	2561739 ADDITIONAL REFR. CHARGE LABEL (M7)							
117	2570015 DC FAN MOTOR ASSY. (M7)	174	NA CAUTION LABEL (SUPERCARGO) (M7)							
118	NA PAN HEAD MACHINE SCREW (M7)	175	NA CAUTION LABEL (ELECTRIC SHOCK) (M7)							
119	2079110 INSULATING SUPPORT (M7)	Expanded Model Nomenclature								
120	NA TAPPING SCREW (M7)	<table border="1"> <tr><td>M1 - 3MXT24A VJU9</td></tr> <tr><td>M2 - 3MXT24A VJU9</td></tr> <tr><td>M3 - 4MXT36A VJU9</td></tr> <tr><td>M4 - 4MXT36A VJU9</td></tr> <tr><td>M5 - 5MXM48A VJU9</td></tr> <tr><td>M6 - 5MXT40A VJU9</td></tr> <tr><td>M7 - 5MXT40A VJU9</td></tr> </table>		M1 - 3MXT24A VJU9	M2 - 3MXT24A VJU9	M3 - 4MXT36A VJU9	M4 - 4MXT36A VJU9	M5 - 5MXM48A VJU9	M6 - 5MXT40A VJU9	M7 - 5MXT40A VJU9
M1 - 3MXT24A VJU9										
M2 - 3MXT24A VJU9										
M3 - 4MXT36A VJU9										
M4 - 4MXT36A VJU9										
M5 - 5MXM48A VJU9										
M6 - 5MXT40A VJU9										
M7 - 5MXT40A VJU9										
121	2433512 WIRING PROTECTION BUSH (EDGING) (M7)									
122	2433529 WIRING PROTECTION BUSH (EDGING) (M7)									
123	2561310 WIRE HARNESS (TERMINAL STRIP) (M7)									
124	2561311 WIRE HARNESS (TERMINAL STRIP) (M7)									
125	2433536 WIRE HARNESS ASSY. (SERVICE PCB) (M7)									
126	2570005 WIRE HARNESS (PCB-OL CONNECTION) (M7)									
127	027843J WIRE CLIP (M7)									
128	0980106 HARNESS LIFTER (M7)									
129	2570512 INDICATION LABEL (SERVICE PCB) (M7)									
130	NA INDICATION LABEL (SWITCH COVER) (M7)									
131	040908J TRUSS HEAD SCREW (M7)									
132	2547350 DRAIN PAN HEATER ASSY. (M7)									
133	2433567 BOTTOM FRAME ASSY. (M7)									
134	2433574 FRONT PLATE (1) (M7)									
135	2570016 FRONT PLATE (2) (M7)									
136	2570017 RIGHT SIDE PLATE ASSY. (M7)									
137	2570018 PARTITION PLATE ASSY. (M7)									
138	2570019 FAN MOTOR STAND ASSY. (M7)									
139	2433620 PARTITION PLATE ASSY. (2) (M7)									
140	2570020 REAR PLATE ASSY. (M7)									
141	092045J HANDLE (M7)									
142	2433644 HANDLE (LEFT) (M7)									
143	2120405 HEX TAPPING SCREW (3) (M7)									
144	131453J TRUSS HEAD TAPPING SCREW (M7)									
145	NA HEX HEAD TAPPING SCREW (M7)									
146	NA PAN HEAD TAPPING SCREW (M7)									
147	2433651 TOP PLATE ASSY. (M7)									
148	2546498 THERMISTOR FIXING PLATE (M7)									
149	380120J FITTING SPRING/ THERMISTOR (M7)									
150	042396J FITTING SPRING/ THERMISTOR (M7)									
151	2433668 CUSHION MATERIAL (HEAT EXCHANGER) (M7)									
152	2433675 CUSHION MATERIAL (HEAT EXCHANGER 2) (M7)									
153	2433682 INSTALLATION LEG (M7)									
154	6024610 COVER/ JACKET (M7)									
155	4016867 HEX BOLT (M7)									
156	2570023 SIDE CAP (TBM SERVICE PORT)(SNAP) (M7)									
157	2570024 BRAND NAME LABEL (M7)									
158	NA ACCESSORY SET (DRAIN SOCKET) (M7)									
159	2433699 DRAIN SOCKET (M7)									
160	2433707 DRAIN JOINT (M7)									
161	2433714 CAP (DRAIN) (M7)									
162	NA REDUCER ASSY. (M7)									
163	257553J GASKET/ REDUCING JOINT (M7)									
164	257712J GASKET/ REDUCING JOINT (M7)									
165	257555J GASKET/ REDUCING JOINT (M7)									
166	257709J GASKET/ REDUCING JOINT (M7)									
167	257503J REDUCING JOINT (M7)									
168	257511 FLARE GASKET (M7)									
169	119848J FLARE NUT (M7)									
170	NA PRODUCT LIABILITY CAUTION LABEL (M7)									
171	4015454 LABEL NAME PLATE (INVERTER/ R32) (M7)									