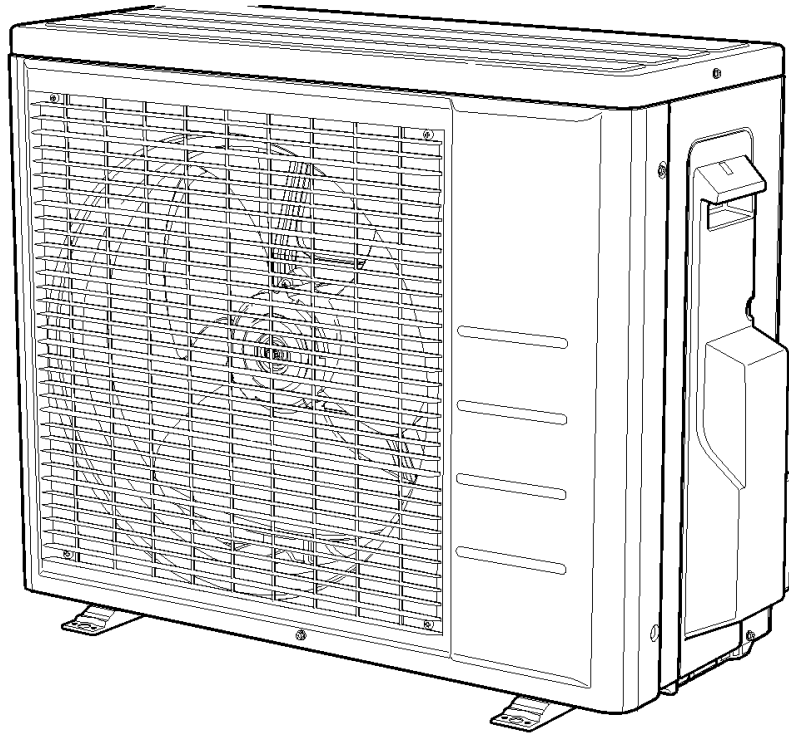


## Mini-Split Heat Pump Outdoor Unit

RXS09LVJU  
RXS12LVJU  
RXS15LVJU  
RXS18LVJU  
RXS24LVJU



This manual is to be used by qualified technicians only.

© 2013 Daikin Company, L.P. ♦ 5151 San Felipe St., Suite 500 ♦ Houston, TX 77056

# Important Information

---

## Index

Functional Parts List .....	3
Illustration and Parts .....	4 - 9

*Views shown are for parts illustrations only, not servicing procedures.*

### Text Codes:

AR - As Required

NA - Not Available

NS - Not Shown

00000000 - See Note

QTY - Quantity Example (QTY 3) (If Quantity not shown, Quantity = 1)

M - Model Example (M1) (If M Code not shown, then part is used on all Models)

### Expanded Model Nomenclature:

Example
M1 - Model#1
M2 - Model#2
M3 - Model#3

Daikin Company, L.P. is not responsible for personal injury or property damage resulting from improper service. Review all service information before beginning repairs.

Warranty service must be performed by an authorized technician, using authorized factory parts. If service is required after the warranty expires, Daikin Company, L.P. also recommends contacting an authorized technician and using authorized factory parts.

Daikin Company, L.P. reserves the right to discontinue, or change at any time, specifications or designs without notice or without incurring obligations.

For assistance within the U.S.A. contact:

Consumer Affairs Department

Daikin North America, LLC

7401 Security Way

Houston, Texas 77040

855-770-5678-Telephone

713-863-2382-Facsimile

For assistance outside the U.S.A. contact:

International Division

Daikin North America, LLC

7401 Security Way

Houston, Texas 77040

713-861-2500-Telephone

713-863-2382-Facsimile

# Functional Parts

## Part

## No: Description:

---

4009931	DC FAN MOTOR (M1, M2)
1847536	DC FAN MOTOR (M5)
4009512	DC FAN MOTOR ASSY. (M3, M4)
1701546	FAN BLADE (M5)
1684812	FAN BLADE ASSY. (M3, M4)
1772238	FAN BLADE ASSY. (M1, M2)
153875J	FUSE (M5)
131316J	FUSE (M1, M2)
153875J	FUSE (M3, M4)
131316J	FUSE (M1, M2)
153875J	FUSE (M3, M4)
622423J	OVER-LOAD RELAY (M1, M2)
622423J	OVER-LOAD RELAY (M3, M4)
622418J	OVER-LOAD RELAY (M5)
4009628	PRINTED CIRCUIT ASSY. (CONTROL) (M3)
4009629	PRINTED CIRCUIT ASSY. (CONTROL) (M4)
4009627	PRINTED CIRCUIT ASSY. (CONTROL)
4009626	PRINTED CIRCUIT ASSY. (CONTROL) (M1)
4009630	PRINTED CIRCUIT ASSY. (CONTROL) (M5)
4009359	PRINTED CIRCUIT ASSY. (FILTER) (M1, M2)
4007375	PRINTED CIRCUIT ASSY. (FORCED OPERATION SW) (M1, M2)
1688256	PRINTED CIRCUIT ASSY. (SERVICE MONITOR) (M5)
4009393	PRINTED CIRCUIT BOARD ASSY. (FILTER) (M3, M4)
1708477	THERMISTOR ASSY. (M5)
6015082	THERMISTOR ASSY. (M1, M2)
4009510	THERMISTOR ASSY. (M3, M4)

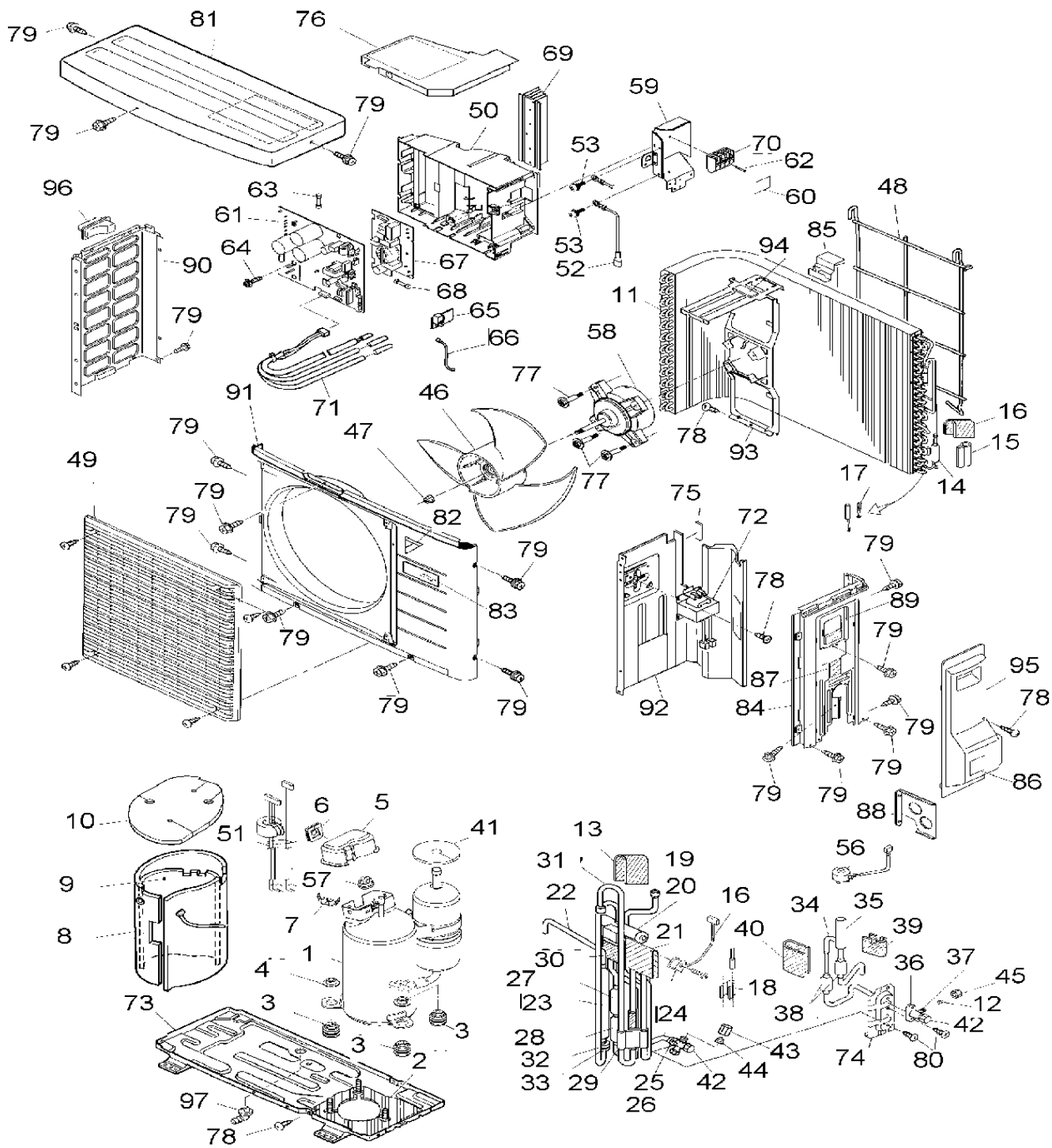
### Expanded Model Nomenclature

M1 - RXS09LVJUAA
M2 - RXS12LVJUAA
M3 - RXS15LVJUAA
M4 - RXS18LVJUAA
M5 - RXS24LVJUAA

# RXS09LVJU / RXS12LVJU

## RXS09LVJU / RXS12LVJU

— TOP —



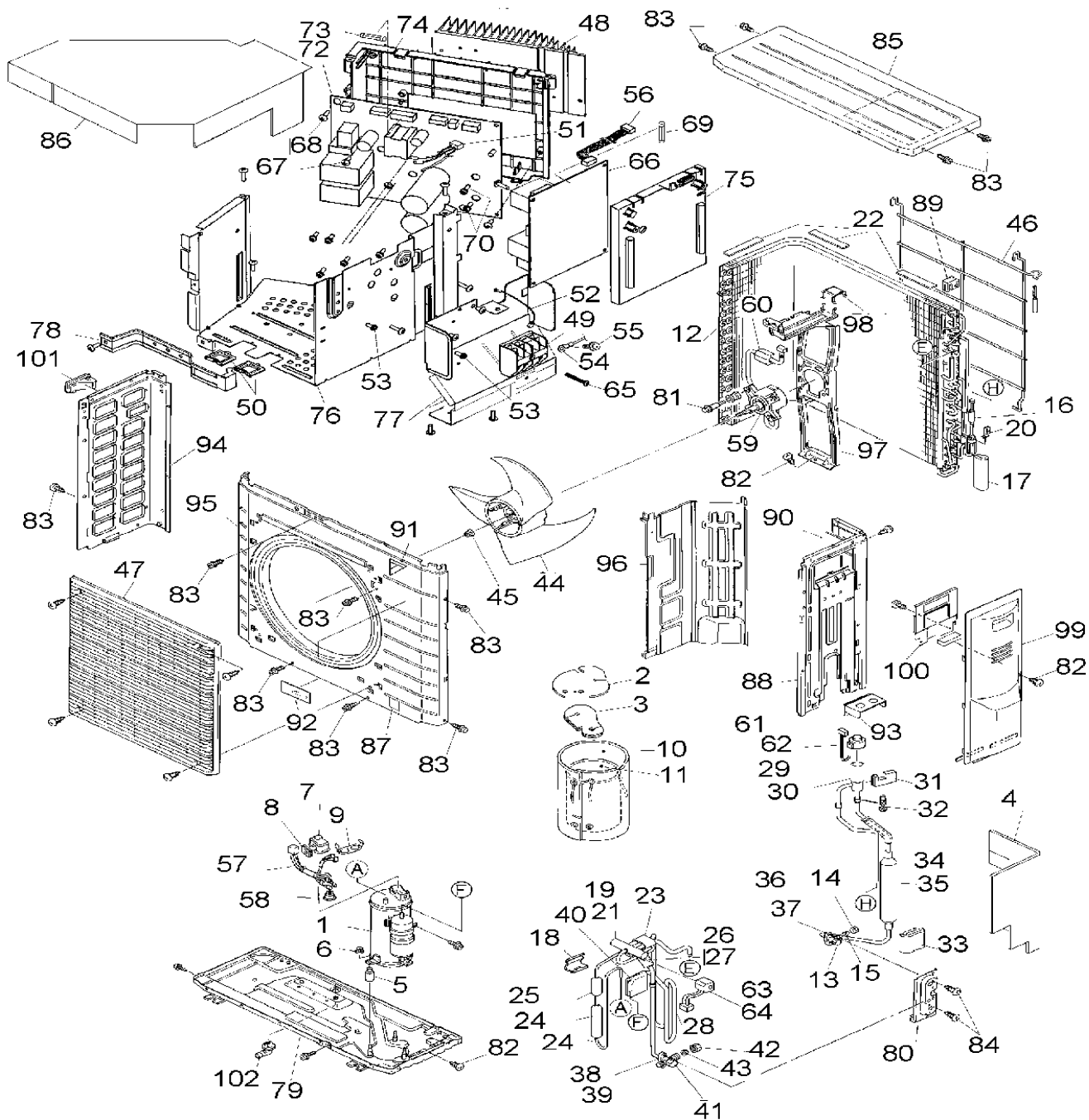
# RXS09LVJU / RXS12LVJU

Ref. Part No:	Ref. Part No:	Description:	Description:							
<i>Image 1:</i>		<i>Image 1:</i>								
1	1839357	SWING COMPRESSOR (M1, M2)	57	622423J	OVER-LOAD RELAY (M1, M2)					
2	147248J	SOUND INSULATOR/ COMP. (BOTTOM) (M1, M2)	58	4009931	DC FAN MOTOR (M1, M2)					
3	091532J	VIBRATION ISOLATOR (M1, M2)	59	4009533	SET PLATE/ ELECTRIC DEVICE (M1, M2)					
4	390214J	NUT WITH WASHER (M1, M2)	60	NA	CAUTION LABEL (M1, M2)					
5	126264J	TERMINAL COVER (M1, M2)	61	4009626	PRINTED CIRCUIT ASSY. (CONTROL) (M1)					
6	040139J	RUBBER BUSH/ LEAD WIRE (M1, M2)	61	4009627	PRINTED CIRCUIT ASSY. (CONTROL)					
7	380620J	RETAINER/ OVER-LOAD RELAY (M1, M2)	62	1839504	PAN HEAD TAPPING SCREW (M1, M2)					
8	4007368	SOUND INSULATOR/ COMP. (EXTERNAL) (M1, M2)	63	131316J	FUSE (M1, M2)					
9	4005621	SOUND INSULATOR/ COMP. (INTERNAL) (M1, M2)	64	080611J	MACHINE SCREW (M1, M2)					
10	150416J	SOUND INSULATOR/ COMP. (TOP) (M1, M2)	65	4007375	PRINTED CIRCUIT ASSY. (FORCED OPERATION SW) (M1, M2)					
11	1838950	CROSS-FIN CONDENSER ASSY. (M1, M2)	66	5003727	WIRE HARNESS (FOR FORCED OPERATION PCB) (M1, M2)					
12	NA	BLIND CAP/ FLARE NUT (M1, M2)	67	4009359	PRINTED CIRCUIT ASSY. (FILTER) (M1, M2)					
13	139706J	PUTTY (M1, M2)	68	131316J	FUSE (M1, M2)					
14	154401J	MUFFLER (M1, M2)	69	NA	HEAT SINK (M1, M2)					
15	126470J	PUTTY (M1, M2)	70	156720J	TERMINAL BLOCK (M1, M2)					
16	146779J	PUTTY (M1, M2)	71	6015082	THERMISTOR ASSY. (M1, M2)					
17	380120J	FITTING SPRING/ THERMISTOR (M1, M2)	72	4005874	REACTOR (M1, M2)					
18	1728781	FIXTURE/ THERMISTOR (M1, M2)	73	150421J	BOTTOM FRAME ASSY. (M1, M2)					
19	NA	FOUR-WAY VALVE ASSY. (M1, M2)	74	150423J	MOUNTING PLATE/ STOP VALVE (M1, M2)					
20	148507J	BODY/ FOUR-WAY VALVE (M1, M2)	75	1772308	SEALING MATERIAL (M1, M2)					
21	120929J	PUTTY (M1, M2)	76	150424J	DRIP PROOF COVER (M1, M2)					
22	NA	DISCHARGE PIPING ASSY. (M1, M2)	77	147362J	TRUSS HEAD TAPPING SCREW (M1, M2)					
23	1522952	MUFFLER (M1, M2)	78	008203J	TRUSS HEAD TAPPING SCREW (M1, M2)					
24	NA	GAS STOP VALVE ASSY. (WITH MUFFLER) (M1, M2)	79	109224J	HEX. HEAD TAPPING SCREW (M1, M2)					
25	1838967	GAS STOP VALVE ASSY. (M1, M2)	80	048017J	PAN HEAD TAPPING SCREW (3) (M1, M2)					
26	NA	STOP VALVE (M1, M2)	81	148510J	TOP PLATE (M1, M2)					
27	160017J	MUFFLER (M1, M2)	82	1853966	BRAND NAME LABEL (M1, M2)					
28	1807576	MUFFLER (M1, M2)	83	1610417	NAMEPLATE DAIKIN (M1, M2)					
29	150417J	PUTTY (M1, M2)	84	148511J	SIDE PLATE (RIGHT) (M1, M2)					
30	147254J	PUTTY (M1, M2)	85	1853973	FIXTURE (HARNESS) (M1, M2)					
31	NA	SUCTION PIPE (M1, M2)	86	NA	CAUTION LABEL(ELECTRIC SHOCK) (M1, M2)					
32	980754J	VIBRATION ABSORBER/ REF. PIPING (M1, M2)	87	NA	CAUTION LABEL (BURN) (M1, M2)					
33	980761J	WEIGHT CLIP (M1, M2)	88	NA	CONDUIT MOUNTING PLATE (M1, M2)					
34	NA	MOTORIZED EXP. VALVE ASSY. (M1, M2)	89	NA	DRIP PROOF PLATE ASSY. (M1, M2)					
35	158554J	BODY/ MOTORIZED VALVE (M1, M2)	90	148512J	SIDE PLATE (LEFT) (M1, M2)					
36	158555J	LIQUID STOP VALVE ASSY. (M1, M2)	91	1853928	FRONT PANEL (M1, M2)					
37	NA	STOP VALVE (M1, M2)	92	4007376	PARTITION PLATE ASSY. (M1, M2)					
38	138233J	MUFFLER (M1, M2)	93	1853942	MOTOR BASE (M1, M2)					
39	138349J	PUTTY (M1, M2)	94	1772290	SEALING MATERIAL (M1, M2)					
40	146779J	PUTTY (M1, M2)	95	4009534	STOP VALVE COVER ASSY. (M1, M2)					
41	126499J	PUTTY (M1, M2)	96	1379754	HANDLE (M1, M2)					
42	045432J	VALVE CAP (M1, M2)	97	058956J	DRAIN JOINT (M1, M2)					
43	119848J	FLARE NUT (M1, M2)	<b>Expanded Model Nomenclature</b>							
44	NA	BLIND CAP/ FLARE NUT (M1, M2)	<table border="1"> <tr> <td>M1 - RXS09LVJUAA</td> </tr> <tr> <td>M2 - RXS12LVJUAA</td> </tr> <tr> <td>M3 - RXS15LVJUAA</td> </tr> <tr> <td>M4 - RXS18LVJUAA</td> </tr> <tr> <td>M5 - RXS24LVJUAA</td> </tr> </table>			M1 - RXS09LVJUAA	M2 - RXS12LVJUAA	M3 - RXS15LVJUAA	M4 - RXS18LVJUAA	M5 - RXS24LVJUAA
M1 - RXS09LVJUAA										
M2 - RXS12LVJUAA										
M3 - RXS15LVJUAA										
M4 - RXS18LVJUAA										
M5 - RXS24LVJUAA										
45	1723546	FLARE NUT (M1, M2)								
46	1772238	FAN BLADE ASSY. (M1, M2)								
47	847002J	LOCK NUT/ FAN BLADE (M1, M2)								
48	119021J	GUARD NET (M1, M2)								
49	4001047	DISCH. GRILLE ASSY. (M1, M2)								
50	4007369	SWITCH BOX (M1, M2)								
51	4007371	WIRE HARNESS (FOR COMP.) (M1, M2)								
52	150420J	GROUNDING WIRE (FOR COMP.) (M1, M2)								
53	113783J	GROUNDING TIP (W/WASHER) (M1, M2)								
54	4009532	COIL ASSY./ FOUR-WAY VALVE (M1, M2)								
55	NA	FOUR-WAY VALVE COIL (M1, M2)								
56	4005622	COIL/ MOTORIZED EXP. VALVE (M1, M2)								

# RXS15LVJU / RXS18LVJU

## RXS15LVJU / RXS18LVJU

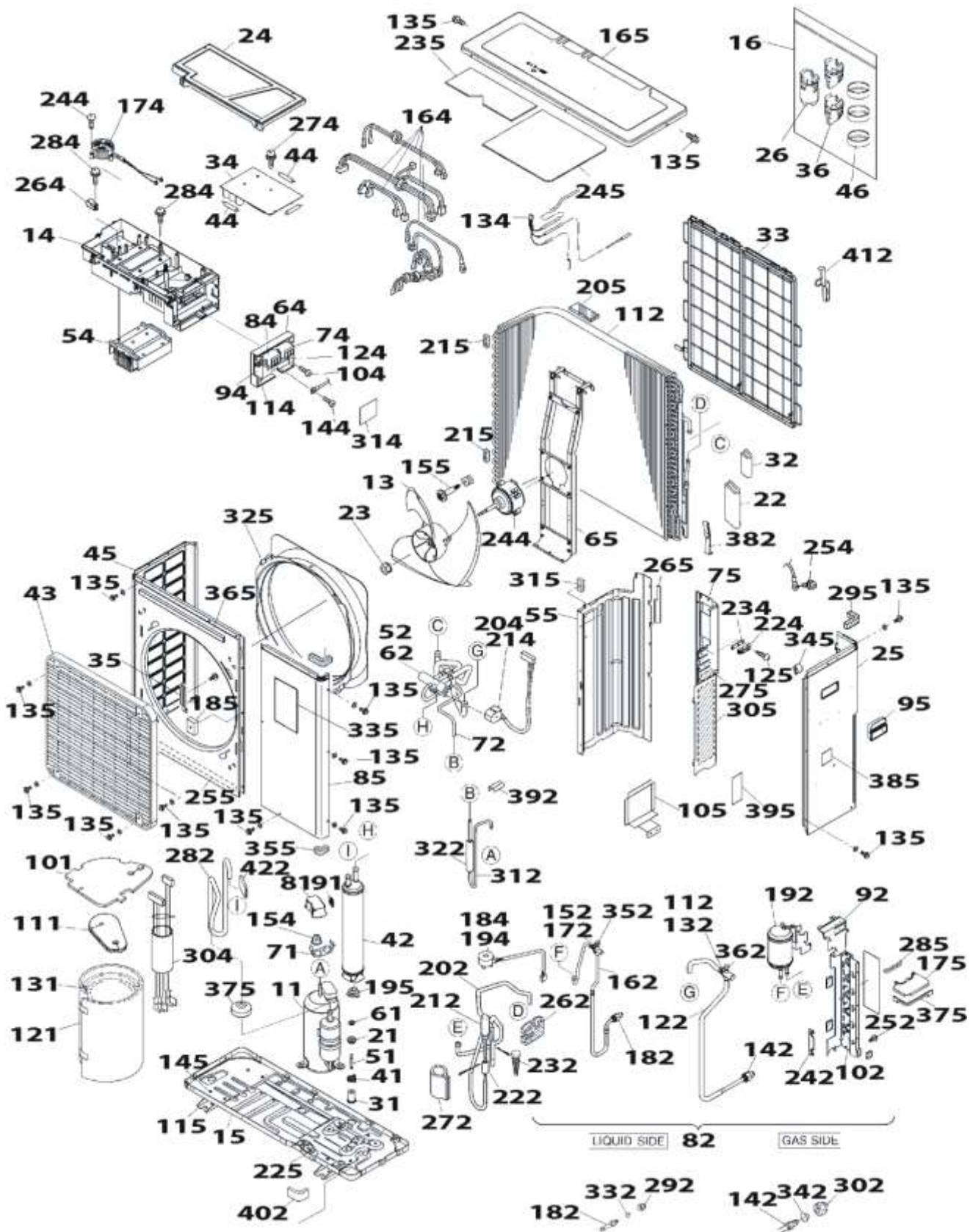
— TOP —



# RXS15LVJU / RXS18LVJU

Ref. Part No: No:	Description:	Ref. Part No: No:	Description:					
<i>Image 1:</i>		<i>Image 1:</i>						
1	1703496 SWING COMPRESSOR (M3, M4)	57	NA EARTH WIRE (M3, M4)					
2	1688201 SOUND INSULATOR/ COMP. (TOP) (M3, M4)	58	113783J GROUNDING TIP (W/WASHER) (M3, M4)					
3	1684766 SOUND INSULATION/ COMP. (MID TOP) (M3, M4)	59	2051516 WIRE HARNESS (M3, M4)					
4	4009503 SOUND INSULATION (REAR) (M3, M4)	60	4009511 WIRE HARNESS (FOR COMP.) (M3, M4)					
5	128989J VIBRATION ISOLATOR (M3, M4)	61	622423J OVER-LOAD RELAY (M3, M4)					
6	390214J NUT WITH WASHER (M3, M4)	62	4009512 DC FAN MOTOR ASSY. (M3, M4)					
7	126264J TERMINAL COVER (M3, M4)	63	113479J FERRITE CORE (M3, M4)					
8	040139J RUBBER BUSH/ LEAD WIRE (M3, M4)	64	4009513 COIL/ MOTORIZED EXP. VALVE (M3, M4)					
9	380620J RETAINER/ OVER-LOAD RELAY (M3, M4)	65	NA COIL/ MOTORIZED EXP. VALVE (M3, M4)					
10	4000931 STOP VALVE COVER ASSY. (M3, M4)	66	4009514 COIL/ FOUR-WAY VALVE (M3, M4)					
11	1688193 SOUND INSULATOR/ COMP. (EXTERNAL) (M3, M4)	67	4009515 FRONT PLATE ASSY. (M3, M4)					
12	4005671 SOUND INSULATOR/ COMP. (INTERNAL) (M3, M4)	68	NA COIL/ FOUR-WAY VALVE (M3, M4)					
13	131325J CROSS-FIN CONDENSER ASSY. (M3, M4)	69	1839504 PAN HEAD TAPPING SCREW (M3, M4)					
14	045432J VALVE CAP (M3, M4)	70	4009516 PARTITION PLATE (M3, M4)					
15	1723546 FLARE NUT (M3, M4)	71	4009393 PRINTED CIRCUIT BOARD ASSY. (FILTER) (M3, M4)					
16	NA BLIND CAP/ FLARE NUT (M3, M4)	72	4009517 MOTOR BASE (M3, M4)					
17	138233J MUFFLER (M3, M4)	73	109688J GROUNDING TERMINAL (M3, M4)					
18	139731J PUTTY (M3, M4)	74	4009518 SHIELD PLATE ASSY. (M3, M4)					
19	1728781 FIXTURE/ THERMISTOR (M3, M4)	75	121650J GROUNDING TERMINAL (M3, M4)					
20	NA FOUR-WAY VALVE ASSY. (M3, M4)	76	153875J FUSE (M3, M4)					
21	380120J FITTING SPRING/ THERMISTOR (M3, M4)	77	131073J PAN HEAD MACHINE SCREW (M3, M4)					
22	4009504 BODY/ FOUR-WAY VALVE (M3, M4)	78	4009628 PRINTED CIRCUIT ASSY. (CONTROL) (M3)					
23	1684805 SEALING MATERIAL (HEAT EXCH.) (M3, M4)	79	4009629 PRINTED CIRCUIT ASSY. (CONTROL) (M4)					
24	132339J PUTTY (M3, M4)	80	153875J FUSE (M3, M4)					
24	1731080 SIDE PLATE ASSY. (RIGHT) (M3, M4)	81	4009506 PCB MOUNTING PLATE (MAIN) (M3, M4)					
25	NA DISCHARGE PIPE ASSY. (M3, M4)	82	4009507 PCB MOUNTING PLATE (FILTER) (M3, M4)					
26	1522952 MUFFLER (M3, M4)	83	4009508 EL .COMPO. MOUNTING PLATE (M3, M4)					
27	160017J MUFFLER (M3, M4)	84	4009509 MOUNTING PLATE (TERMINAL STRIP) (M3, M4)					
28	NA CONNECTION PIPE ASSY. (M3, M4)	85	NA REINFORCE PLATE (M3, M4)					
29	160017J MUFFLER (M3, M4)	86	139738J BOTTOM FRAME ASSY. (M3, M4)					
30	NA SUCTION PIPE ASSY. (M3, M4)	87	NA SEALING MATERIAL (M3, M4)					
31	NA MOTOR OPERATED VALVE ASSY. (M3, M4)	88	131330J MOUNTING PLATE/ STOP VALVE (M3, M4)					
32	158554J BODY/ MOTORIZED VALVE (M3, M4)	89	139741J SIDE PLATE (LEFT) (M3, M4)					
33	138349J PUTTY (M3, M4)	90	140380J TAPPING SCREW (M3, M4)					
34	111167J STRAINER (M3, M4)	91	008203J TRUSS HEAD TAPPING SCREW (M3, M4)					
35	1724640 PUTTY (M3, M4)	92	109224J HEX. HEAD TAPPING SCREW (M3, M4)					
36	1724664 LIQUID STOP VALVE ASSY. 1 (M3, M4)	93	144136J HOLE PROTECTION RUBBER (M3, M4)					
37	1724671 LIQUID RECEIVER (M3, M4)	94	1853966 BRAND NAME LABEL (M3, M4)					
38	1688225 LIQUID STOP VALVE ASSY. (M3, M4)	95	048017J PAN HEAD TAPPING SCREW (3) (M3, M4)					
39	131333J GAS STOP VALVE ASSY. (M3, M4)	96	1610417 NAMEPLATE DAIKIN (M3, M4)					
40	NA STOP VALVE (M3, M4)	97	118234J TOP PLATE (M3, M4)					
41	1688287 VIBRATION ISOLATING PAD 2 (M3, M4)	98	4009519 COVER/ DRIP PROOF (M3, M4)					
42	NA STOP VALVE (M3, M4)	99	NA CAUTION LABEL(ELECTRIC SHOCK) (M3, M4)					
43	115271J PUTTY (M3, M4)	100	NA CONDUIT MOUNTING PLATE (PAINTING) (M3, M4)					
44	007993J VALVE CAP (M3, M4)	101	1379754 HANDLE (M3, M4)					
45	119849J FLARE NUT (M3, M4)	102	058956J DRAIN JOINT (M3, M4)					
46	NA BLIND CAP/ FLARE NUT (M3, M4)	<b>Expanded Model Nomenclature</b>						
47	1684812 FAN BLADE ASSY. (M3, M4)	<table border="1"> <tr> <td>M1 - RXS09LVJUAA</td> </tr> <tr> <td>M2 - RXS12LVJUAA</td> </tr> <tr> <td>M3 - RXS15LVJUAA</td> </tr> <tr> <td>M4 - RXS18LVJUAA</td> </tr> <tr> <td>M5 - RXS24LVJUAA</td> </tr> </table>		M1 - RXS09LVJUAA	M2 - RXS12LVJUAA	M3 - RXS15LVJUAA	M4 - RXS18LVJUAA	M5 - RXS24LVJUAA
M1 - RXS09LVJUAA								
M2 - RXS12LVJUAA								
M3 - RXS15LVJUAA								
M4 - RXS18LVJUAA								
M5 - RXS24LVJUAA								
48	847002J LOCK NUT/ FAN BLADE (M3, M4)							
49	118238J GUARD NET (M3, M4)							
50	4009505 AIR DISCHARGE GRILLE (M3, M4)							
51	NA HEAT SINK (M3, M4)							
52	156720J TERMINAL BLOCK (M3, M4)							
53	0947084 EDGE SADDLE (M3, M4)							
54	4009510 THERMISTOR ASSY. (M3, M4)							
55	2051477 EARTH WIRE (M3, M4)							
56	113783J GROUNDING TIP (W/WASHER) (M3, M4)							

# RXS24LVJU



# RXS24LVJU

Ref. Part No:	Description:	Ref. Part No:	Description:
<i>Image 1:</i>		<i>Image 1:</i>	
11	4005672 SWING COMPRESSOR (M5)	132	NA STOP VALVE (M5)
12	4000900 CROSS-FIN CONDENSER ASSY. (M5)	134	1708477 THERMISTOR ASSY. (M5)
13	1701546 FAN BLADE (M5)	135	049594J HEX. HEAD TAPPING SCREW (M5)
14	1684829 BODY/ SWITCH BOX (M5)	142	257588J UNION JOINT (M5)
15	1708679 BOTTOM FRAME (M5)	144	4004935 PAN HEAD TAPPING SCREW (3) (M5)
16	1367643 ACCESSORY SET (M5)	145	131453J TAPPING SCREW (M5)
21	960397 SPRING HOLDER (1) (M5)	152	NA LIQUID STOP VALVE ASSY. (M5)
22	1708213 SOUNDPROOF PUTTY (M5)	154	622418J OVER-LOAD RELAY (M5)
23	847003J LOCK NUT/ FAN (M5)	155	140380J TAPPING SCREW (M5)
24	1708321 COVER/ SWITCH BOX (M5)	162	1708903 LIQUID STOP VALVE ASSY. (M5)
25	4001073 SIDE PLATE (RIGHT) (M5)	164	NA WIRE HARNESS ASSY. (M5)
26	537651 DRAIN SOCKET (M5)	165	151767J TOP PLATE (M5)
31	390215 SPRING HOLDER (2) (M5)	172	NA STOP VALVE (M5)
32	147251J PUTTY (M5)	174	1707715 REACTOR (M5)
33	1381865 AIR SUCTION GRILLE (M5)	175	4009523 PARTITION PLATE (2) (M5)
34	4009630 PRINTED CIRCUIT ASSY. (CONTROL) (M5)	182	060321J UNION JOINT (M5)
35	1465059 REINFORCEMENT PLATE (M5)	184	1730513 COIL ASSY./ MOTORIZED EXP. VALVE (M5)
36	1946697 CAP/ DRAIN SOCKET (M5)	185	1619748 SPACER (M5)
41	390208J MOUNTING SPRING (M5)	192	1847505 LIQUID RECEIVER ASSY. (M5)
42	1708220 ACCUMULATOR ASSY. (M5)	194	NA COIL/ MOTORIZED EXP. VALVE (M5)
43	4009505 AIR DISCHARGE GRILLE (M5)	195	161975J CUSHION RUBBER (M5)
44	153875J FUSE (M5)	202	NA MOTOR OPERATED VALVE ASSY. (M5)
45	157119J FRONT PLATE (1) (M5)	204	4009521 COIL/ FOUR-WAY VALVE (M5)
46	1314601 DRAIN TERMINAL (M5)	205	1708749 SEALING MATERIAL (HEAT EXCH.) (M5)
51	076850J SET BOLT/ COMPRESSOR (M5)	212	168478J BODY/ MOTORIZED EXP. VALVE (M5)
52	NA FOUR-WAY VALVE ASSY. (M5)	214	NA COIL/ FOUR-WAY VALVE (M5)
54	1708352 HEAT SINK ASSY. (M5)	215	1708756 SEALING MATERIAL (HEAT EXCH.2) (M5)
55	1708693 PARTITION PLATE (M5)	222	138233J MUFFLER (M5)
61	390204J NUT WITH WASHER (M5)	224	590806 FIXING BAND/ LEAD WIRE (A) (M5)
62	4009504 BODY/ FOUR-WAY VALVE (M5)	225	1708763 PUTTY (BOTTOM FRAME) (M5)
64	NA COVER/ TERMINAL BLOCK ASSY. (M5)	232	008529J STRAINER (FOR REF.) (M5)
65	1708701 MOTOR BASE (M5)	234	059320J INSULATOR (A) (M5)
71	380620J RETAINER/ OVER-LOAD RELAY (M5)	235	1627477 SEALER (TOP PLATE) (M5)
72	NA DISCHARGE PIPE (2) (M5)	242	1708307 FIXTURE/ UNION (M5)
74	1684913 TERMINAL BLOCK (M5)	244	1847536 DC FAN MOTOR (M5)
75	4001074 REAR PLATE (M5)	245	1627460 SEALER (TOP PLATE) (M5)
81	126264J TERMINAL COVER (M5)	252	008203J TRUSS HEAD TAPPING SCREW (M5)
82	NA STOP VALVE ASSY. (M5)	254	113783J GROUNDING TIP (W/WASHER) (M5)
84	1684920 TERMINAL BLOCK (M5)	255	162748J SEALER (SIDE PLATE) (M5)
85	1708725 FRONT PLATE (2) (M5)	262	130701J PUTTY (M5)
91	040139J RUBBER BUSH/ LEAD WIRE (M5)	264	1707722 PLASTIC BAND (M5)
92	1708237 SET PLATE ASSY./ STOP VALVE (M5)	265	1708770 SEALER (PARTITION PLATE) (M5)
94	1688256 PRINTED CIRCUIT ASSY. (SERVICE MONITOR) (M5)	272	161838J PUTTY (M5)
95	092045J HANDLE (M5)	274	121650J GROUNDING TERMINAL (M5)
101	1708871 SOUND INSULATION (OUTER TOP) (M5)	275	1708787 SEALER (REAR PLATE) (M5)
102	1708244 MOUNTING PLATE (1)/ STOP VALVE (M5)	282	NA SUCTION PIPE (M5)
104	4004935 PAN HEAD TAPPING SCREW (3) (M5)	284	1729986 SET SCREW (M5)
105	4009522 SHIELD PLATE ASSY. (M5)	285	1708794 SEALER (PARTITION PLATE) (M5)
111	1708174 SOUND INSULATION (INNER TOP) (M5)	292	1723546 FLARE NUT (M5)
112	NA GAS STOP VALVE ASSY. (M5)	294	1748886 PAN HEAD TAPPING SCREW (M5)
114	1730498 COVER/ TERMINAL BLOCK (M5)	295	1708802 SEALER (FRONT PLATE 2) (M5)
115	151772J ANCHOR PLATE (M5)	302	119850J FLARE NUT (M5)
121	1730450 SOUND INSULATION (BODY) (M5)	304	1885691 WIRE HARNESS (FOR COMP.) (M5)
122	1708888 GAS STOP VALVE ASSY. (M5)	305	1708819 SOUND INSULATION (REAR PLATE) (M5)
124	4009520 INDICATION LABEL (TERMINAL) (M5)	312	NA DISCHARGE PIPE ASSY. (M5)
125	008203J TRUSS HEAD TAPPING SCREW (M5)	314	NA OPERATION CAUTION LABEL (M5)
131	4005673 SOUND INSULATION (INTERNAL) (M5)	315	1708826 SPACER (M5)
		322	117029J MUFFLER (M5)

# RXS24LVJU

Ref. Part No:	No:	Description:	Ref. Part No:	No:	Description:
---------------	-----	--------------	---------------	-----	--------------

---

*Image 1:*

325	1736667	BELL MOUTH (M5)
332	NA	BLIND CAP/ FLARE NUT (M5)
335	2006314	NAMEPLATE DAIKIN (M5)
342	NA	BLIND CAP/ FLARE NUT (M5)
345	4007201	SEALING MATERIAL (M5)
352	045432J	VALVE CAP (M5)
355	4006825	CUSHION MATERIAL (M5)
362	007993J	VALVE CAP (M5)
365	NA	VIBRATION ISOLATOR (M5)
372	112853J	SOUNDPROOF PUTTY (M5)
375	4007842	SEALER (PARTITION PLATE) (M5)
382	380120J	FITTING SPRING/ THERMISTOR (M5)
385	NA	CAUTION LABEL(ELECTRIC SHOCK) (M5)
392	1728781	FIXTURE/ THERMISTOR (M5)
395	NA	CAUTION LABEL (BURN) (M5)
402	131429J	PUTTY (M5)
412	128511J	FIXTURE/ THERMISTOR (M5)
422	121602J	PUTTY (M5)

Expanded Model Nomenclature

- |                  |
|------------------|
| M1 - RXS09LVJUAA |
| M2 - RXS12LVJUAA |
| M3 - RXS15LVJUAA |
| M4 - RXS18LVJUAA |
| M5 - RXS24LVJUAA |