



# REPAIR PARTS

---

## GDVM 97% ECM CF Furnace

GDVM970603BNAA  
GDVM970803BNAA  
GDVM970804CNAA  
GDVM971005CNAA



This manual is to be used by qualified technicians only.

© 2025 Goodman Manufacturing Company, L.P. ♦ 19001 Kermier Rd. ♦ Waller, TX 77484

# Important Information

---

## Index

Functional Parts List .....	3
Illustration and Parts .....	4 - 11

*Views shown are for parts illustrations only, not servicing procedures.*

### Text Codes:

AR - As Required

NA - Not Available

NS - Not Shown

00000000 - See Note

QTY - Quantity Example (QTY 3) (If Quantity not shown, Quantity = 1)

M - Model Example (M1) (If M Code not shown, then part is used on all Models)

### Expanded Model Nomenclature:

Example M1 - Model#1 M2 - Model#2 M3 - Model#3
---

Goodman Manufacturing Company, L.P. is not responsible for personal injury or property damage resulting from improper service. Review all service information before beginning repairs.

Warranty service must be performed by an authorized technician, using authorized factory parts. If service is required after the warranty expires, Goodman Manufacturing Company, L.P. also recommends contacting an authorized technician and using authorized factory parts.

Goodman Manufacturing Company, L.P. reserves the right to discontinue, or change at any time, specifications or designs without notice or without incurring obligations.

For assistance within the U.S.A. contact:  
Homeowner Support  
Goodman Manufacturing Company, L.P.  
19001 Kermier Road  
Waller, Texas 77484  
877-254-4729-Telephone  
713-863-2382-Facsimile

For assistance outside the U.S.A. contact:  
International Division  
Goodman Manufacturing Company, L.P.  
19001 Kermier Road  
Waller, Texas 77484  
713-861-2500-Telephone  
713-863-2382-Facsimile

# Functional Parts

## Part

## No: Description:

---

SHARED DATA	Available thru CoolCloud HVAC app.
0163F00017	BECKETT BURNER (QTY 3)
0130F00010	FLAME SENSOR
0151M00092	GAS VALVE WR MOD
0257F20122	HEAT EXCHANGER ASSY (M4)
0257F20121	HEAT EXCHANGER ASSY (M3)
0257F20120	HEAT EXCHANGER ASSY (M2)
0257F20119	HEAT EXCHANGER ASSY (M1)
0130F00008	IGNITOR-SINI 17 SEC
0130M00141	INDUCTOR, 5.9 AMPS (M3, M4)
0130F00038	LIMIT AUX (QTY 2)
20162904	LIMIT, PRIMARY (M2, M3, M4)
20162903	LIMIT, PRIMARY (M1)
10123529	LIMIT-RESET MAN-GREEN (QTY 2)
0271F00507	MORRISON 11 X 10 BLOWER (M3, M4)
0271F00506	MORRISON 11 X 8 BLOWER (M1, M2)
0131M01011	MOTOR, 1 HP (M4)
0131M01002	MOTOR, 1/2 HP (M1, M2)
0131M01003	MOTOR, 3/4 HP (M3)
0171M00009	MOTOR-ID, BLOWER
PCBKF322	PCB CONTROL BOARD
PCBKF322	PCB, CONTROL BOARD
0130F00429	PRESSURE SWITCH
0130F00720	PRESSURE SWITCH (M1)
0130F00722	PRESSURE SWITCH (M3, M4)
0130F00721	PRESSURE SWITCH (M2)
10690402	SWITCH-INTERLOCK
0130M00140	TRANSFORMER,(120V TO 24V,40VA,

### SPECIAL PARTS

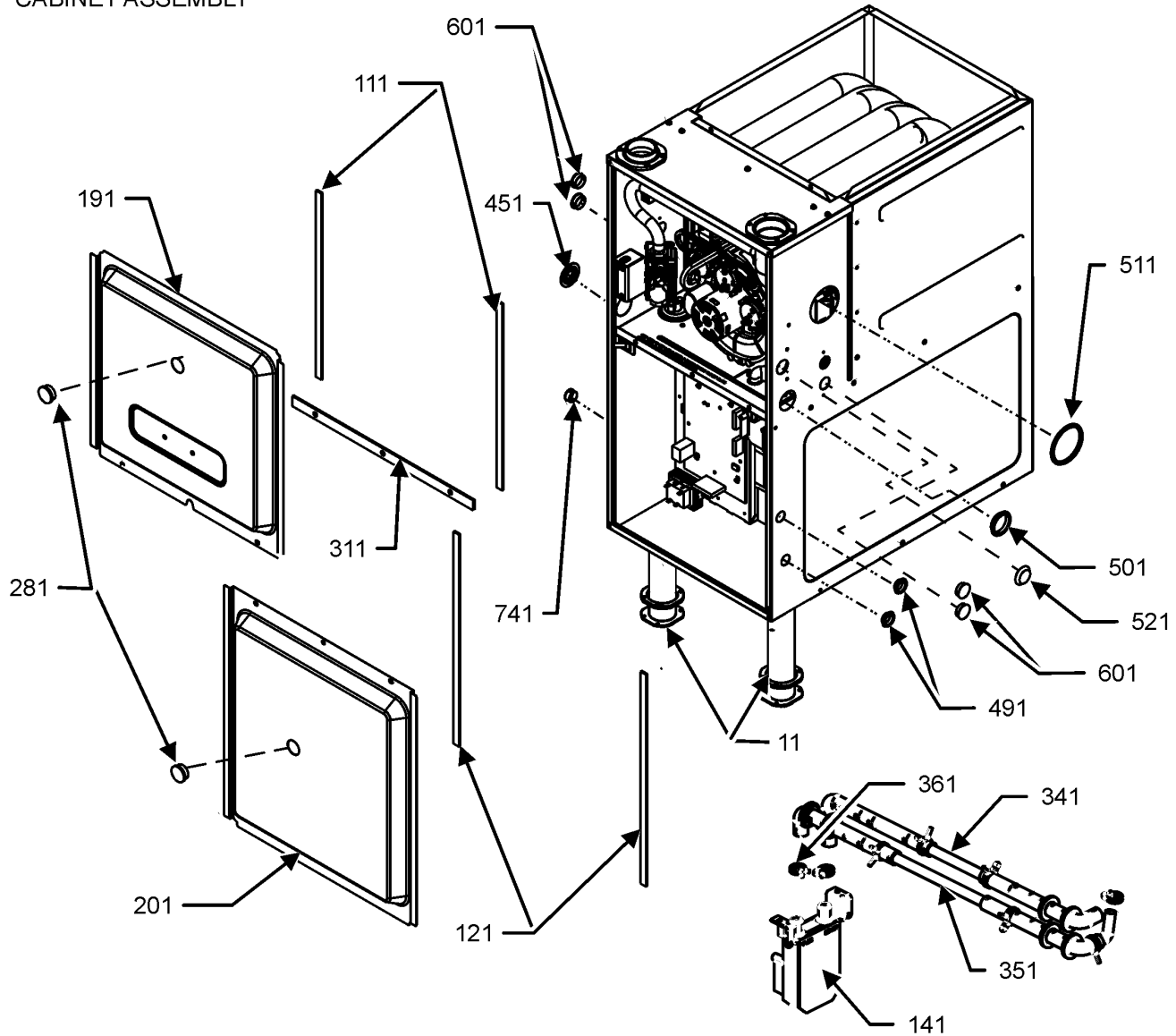
0161F00086 NAMEPLATE, GOODMAN

### Expanded Model Nomenclature

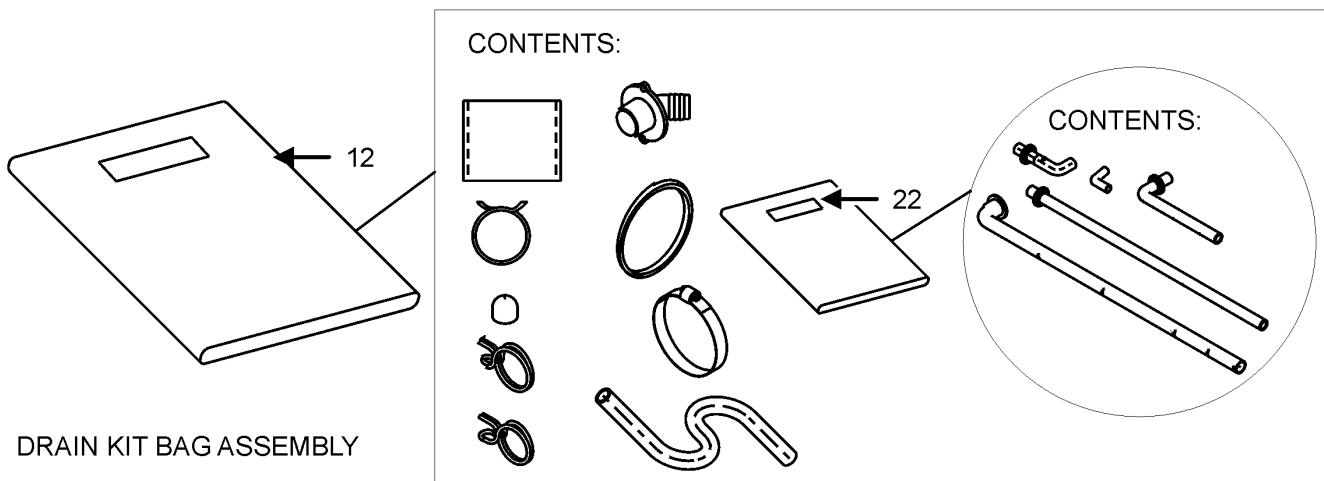
M1 - GDVM970603BNAA
M2 - GDVM970803BNAA
M3 - GDVM970804CNAA
M4 - GDVM971005CNAA

# Cabinet Assembly

CABINET ASSEMBLY



CABINET ASSEMBLY MAY DIFFER FROM WHAT IS SHOWN



# Cabinet Assembly

Ref. Part No:	Part No:	Description:	Ref. Part No:	Part No:	Description:
---------------	----------	--------------	---------------	----------	--------------

**Image 1:**

11	0161F00064	PIPE, STRAIGHT CF (QTY 2)
111	0154F00024	GASKET (QTY 2)
121	0154F00025	GASKET (QTY 2)
141	0161F00046	DRAIN TRAP
191	0121F00291DG	DOOR, ACCESS 17.5 PNT (M1, M2)
191	0121F00292DG	DOOR, ACCESS 21 PNT (M3, M4)
201	0121F00288DG	DOOR, BLOWER 17.5 PNT (M1, M2)
201	0121F00289DG	DOOR, BLOWER 21 PNT (M3, M4)
281	B1392139	VIEW PORT BUSHING-BLOWER DOOR (QTY 2)
311	0154F00020	GASKET, DECK (M1, M2)
311	0154F00021	GASKET, DECK (M3, M4)
341	0270F03514	CF DRAIN TUBE ASSY (M1, M2)
341	0270F03515	CF DRAIN TUBE ASSY (M3, M4)
351	0270F03125	CF DRAIN TUBE ASSY (M1, M2)
351	0270F03126	CF DRAIN TUBE ASSY (M3, M4)
361	M0119206	CLAMP HOSE (QTY 4)
451	M0501301	PIPE GROMMET
491	M0570808	BUTTON PLUG
501	M0570806	BUTTON PLUG
511	M0570807	BUTTON PLUG
521	0161M00027	PLUG, HOLE
601	B1392021	PLASTIC PLUG, 1" (2713-BLK) (QTY 4)
741	B1392104	UNIVERSAL BUSHING UB 875
NS	M0310345	BUTTON PLUG (QTY 2)
NS	0163M00319	HEX NUT-INSERT (QTY 3)
NS	0161F00086	NAMEPLATE, GOODMAN
NS	M0273904	RETAINER SCREW (QTY 3)
NS	M0209730	SCREW-DECORATIVE (QTY 3)

**Image 2:**

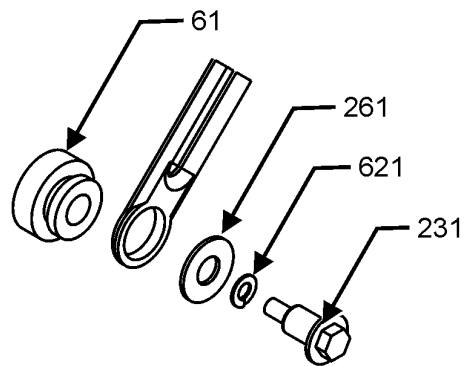
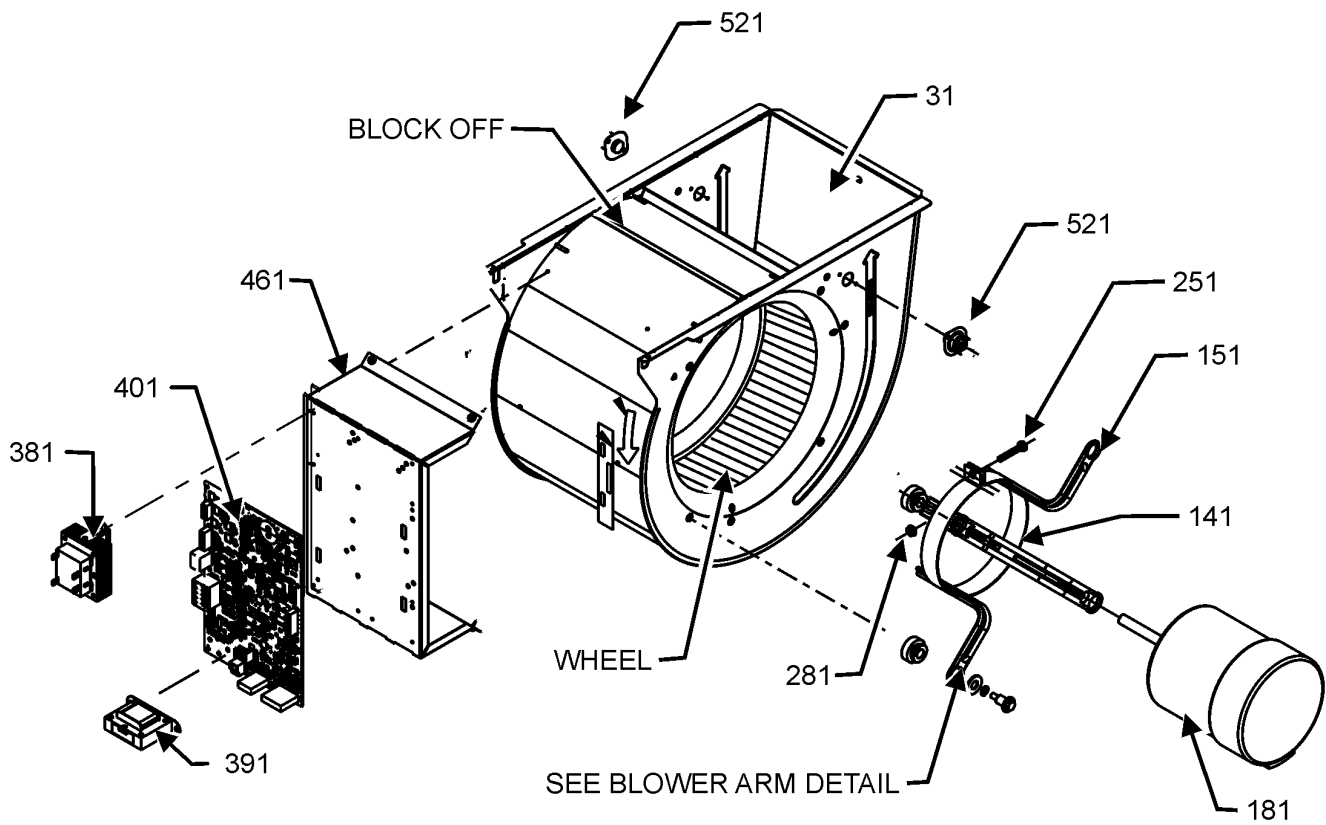
12	0270F05403	DRAIN KIT ASSY
22	0270F05403	DRAIN KIT ASSY

**Expanded Model Nomenclature**

- |                     |
|---------------------|
| M1 - GDVM970603BNAA |
| M2 - GDVM970803BNAA |
| M3 - GDVM970804CNAA |
| M4 - GDVM971005CNAA |

# Blower Assembly

## BLOWER ASSEMBLY



BLOWER ARM DETAIL

BLOWER ASSEMBLY MAY DIFFER FROM WHAT IS SHOWN

# Blower Assembly

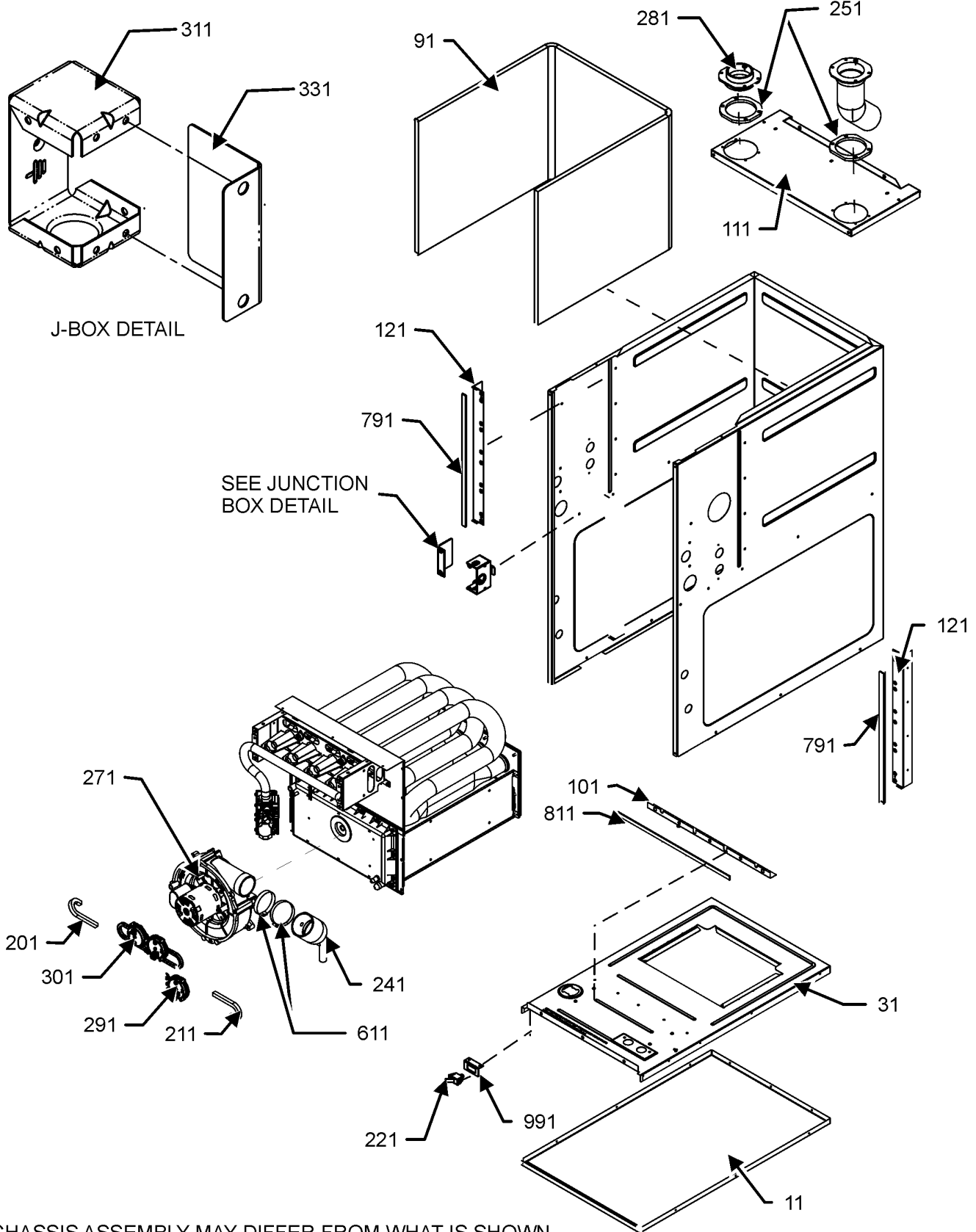
Ref. Part No:	Ref. Part No:	Description:	Description:
<b>Image 1:</b>			
31	0271F00507	MORRISON 11 X 10 BLOWER (M3, M4)	
31	0271F00506	MORRISON 11 X 8 BLOWER (M1, M2)	
61	A4002702	GROMMET (M3, M4)	
141	0121M00038	MOTOR MOUNT BAND (M1, M2)	
141	10441601	MOTOR MOUNT BAND (M3, M4)	
151	10441501	MOTOR MOUNT ARM (M3, M4)	
151	B1376857	MOTOR MOUNT ARM (M1, M2)	
181	0131M01011	MOTOR, 1 HP (M4)	
181	0131M01002	MOTOR, 1/2 HP (M1, M2)	
181	0131M01003	MOTOR, 3/4 HP (M3)	
231	0163F00028	SCREW (M3, M4)	
231	M0250565	TC SCREW 1.25" (M1, M2)	
251	0163M00320	HEX HEAD ALL THREAD TAP BOLT (M4)	
251	B1393323	MACHINE SCREW HWH 1/4-20 X 1-1/2 BZ (M1, M2, M3)	
261	B1392918	WASHER, FLAT 1/4 ID X 1 OD (M1, M2)	
261	M0274008	WASHER-FLAT (M3, M4)	
281	M0282015	KEPS NUT (M4)	
281	B1393800	LOCKNUT, NYLON, INSERT 1/4, 20 (M1, M2, M3)	
381	0130M00140	TRANSFORMER,(120V TO 24V,40VA,	
391	0130M00141	INDUCTOR, 5.9 AMPS (M3, M4)	
401	PCBKF322	PCB, CONTROL BOARD	
461	0121F00802	MOUNTING PLATE-CONTROLS	
521	0130F00038	LIMIT AUX (QTY 2)	
621	B1392820	WASHER, SPLIT LOCK 1/4 BZ (M3, M4)	
681	PCBKF322	PCB CONTROL BOARD	
NS	SHARED DATA	Available thru CoolCloud HVAC app.	
NS	0259F00040	CONTROL HARNESS	
NS	0259F00041	HARNESS-POWER (M3, M4)	
NS	0259F00279	HARNESS-POWER W/FERRITE (M1, M2)	
NS	B1392021	PLASTIC PLUG, 1" (2713-BLK) (QTY 4)	
NS	0259F00024	WIRE HARNESS-BLOWER	

## Expanded Model Nomenclature

M1 - GDVM970603BNAA
M2 - GDVM970803BNAA
M3 - GDVM970804CNAA
M4 - GDVM971005CNAA

# Chassis Assembly

## CHASSIS ASSEMBLY



CHASSIS ASSEMBLY MAY DIFFER FROM WHAT IS SHOWN

# Chassis Assembly

Ref. Part No:	Ref. Part No:	Description:	Description:
<b>Image 1:</b>			
11	0121F00548DG	PAINTED BASEPAN, 17.5 CF (M1, M2)	
11	0121F00549DG	PAINTED BASEPAN, 21 CF (M3, M4)	
31	0121F00536	DECK-BLOWER 17.5" CF (M1, M2)	
31	0121F00537	DECK-BLOWER 21" CF (M3, M4)	
91	0160F00015	INSULATION, HT EXCHANGER 17.5" (M1, M2)	
91	0160F00016	INSULATION, HT EXCHANGER 21" (M3, M4)	
101	0121F00314	ANGLE, DECK (M1, M2)	
101	0121F00315	ANGLE, DECK (M3, M4)	
111	0121F00426DG	TOP, PAINTED FURNACE 17.5" CF (M1, M2)	
111	0121F00434DG	TOP, PAINTED FURNACE 21" CF (M3, M4)	
121	0121F00313	ANGLE, SIDE (QTY 2)	
201	0164M20000	HOSE, PRESSURE	
211	0164M20002	HOSE, PRESSURE (M3, M4)	
221	10690402	SWITCH-INTERLOCK	
241	0164F00026	ELBOW-FLUE, 17.5" CFLOW (M1, M2)	
241	0164F00027	ELBOW-FLUE, 21" CFLOW (M3, M4)	
251	0154F00041	FRESH AIR GASKET	
271	0171M00009	MOTOR-ID, BLOWER	
281	0161F00037	COUPLING	
291	0130F00429	PRESSURE SWITCH	
301	0130F00720	PRESSURE SWITCH (M1)	
301	0130F00721	PRESSURE SWITCH (M2)	
301	0130F00722	PRESSURE SWITCH (M3, M4)	
311	0121F20060	BOX JUNCTION 90%	
331	0121F20061	BOX JUNCTION 80%	
611	0163M00460	CLAMP HOSE (QTY 2)	
791	0154F00015	GASKET (QTY 2)	
811	0154F00014	GASKET (M1, M2)	
811	0154F00016	GASKET (M3, M4)	
991	0121F00389	BRACKET, DOOR SWITCH	
NS	0259F00040	HARNESS, CONTROL	
NS	0259F20013	MAIN HARNESS W/FERRITE (M3, M4)	
NS	M0326804	PLUG-TUBE	

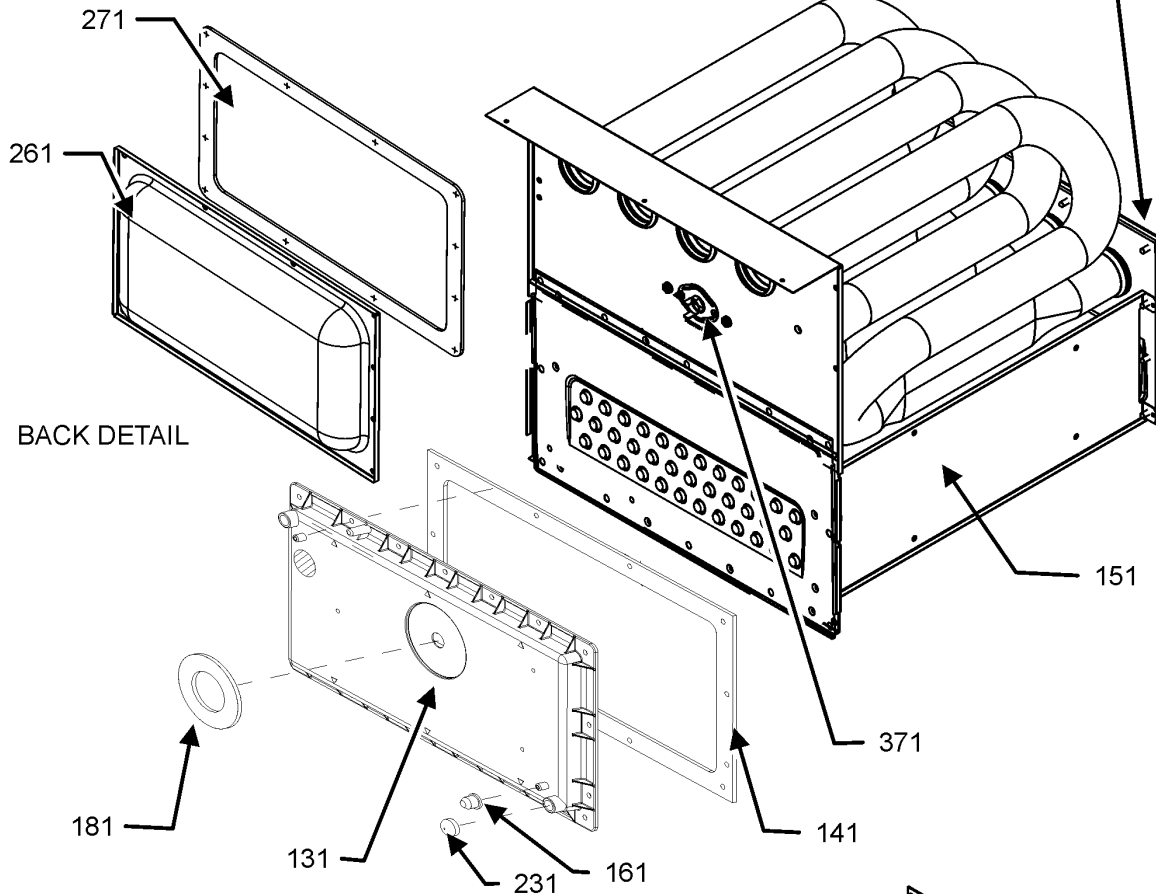
## Expanded Model Nomenclature

M1 - GDVM970603BNAA
M2 - GDVM970803BNAA
M3 - GDVM970804CNAA
M4 - GDVM971005CNAA

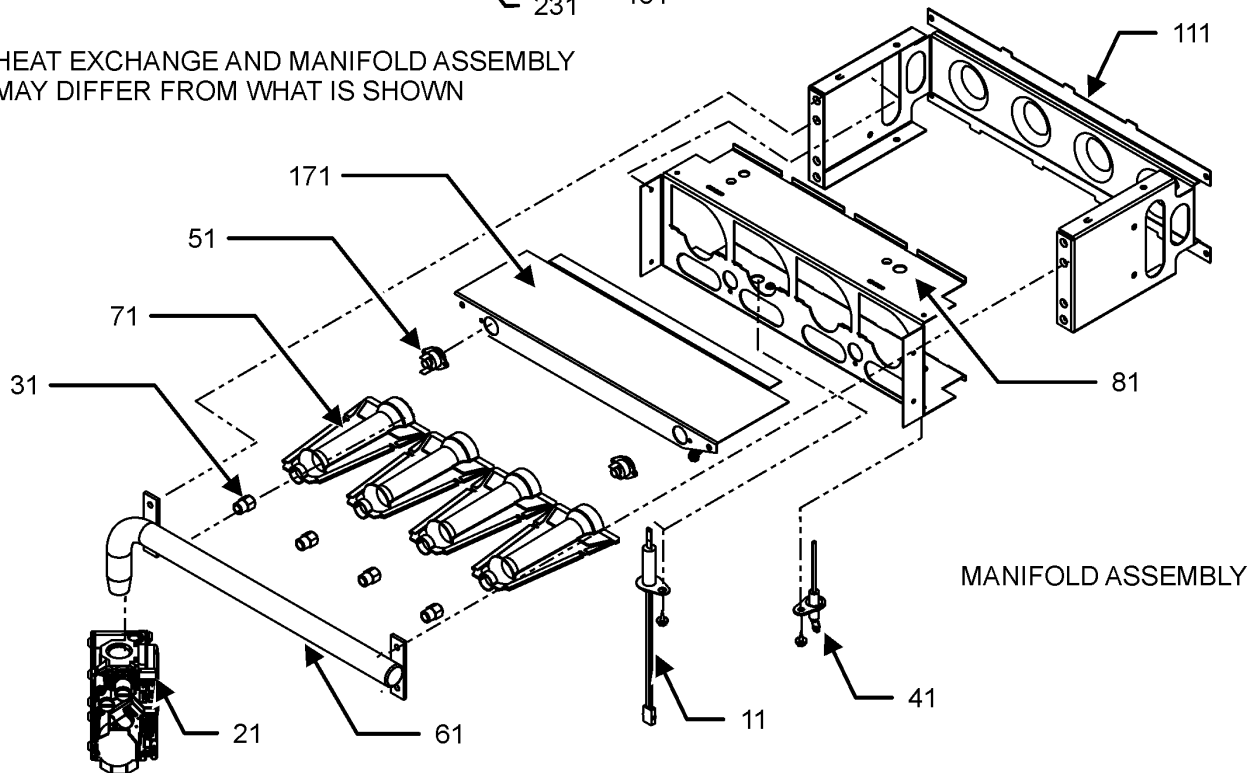
# Heat Exchange Assembly

HEAT EXCHANGE ASSEMBLY

SEE BACK DETAIL



HEAT EXCHANGE AND MANIFOLD ASSEMBLY  
MAY DIFFER FROM WHAT IS SHOWN



# Heat Exchange Assembly

Ref. Part No:	Part No:	Description:	Ref. Part No:	Part No:	Description:
<b>Image 1:</b>					
11	0130F00008	IGNITOR-SINI 17 SEC			
21	0151M00092	GAS VALVE WR MOD			
31	10716005	ORIFICE (QTY 3)			
41	0130F00010	FLAME SENSOR			
51	10123529	LIMIT-RESET MAN-GREEN (QTY 2)			
61	0163F00008	MANIFOLD (M1)			
61	0163F00009	MANIFOLD (M3)			
61	0163F00010	MANIFOLD (M4)			
61	0163F00014	MANIFOLD (M2)			
71	0163F00017	BECKETT BURNER (QTY 3)			
81	0121F00455	BRACKET-BURNER 3 (M1)			
81	0121F00454	BRACKET-BURNER 4 (M2, M3)			
81	0121F00453	BRACKET-BURNER 5 (M4)			
111	0121F00458	ORIFICE BRACKET-BURNER 3 (M1)			
111	0121F00457	ORIFICE BRACKET-BURNER 4 (M2, M3)			
111	0121F00452	ORIFICE BRACKET-BURNERS 5 (M4)			
131	0161F00027	COVER, FRONT (M4)			
131	0161F00031	COVER, FRONT (M2)			
131	0161F00056	COVER, FRONT (M1)			
131	0161F00065	COVER,FRONT (M3)			
141	0154F00026	GASKET FRONT COVER (M1, M2)			
141	0154F00030	GASKET FRONT COVER (M3, M4)			
151	0257F20119	HEAT EXCHANGER ASSY (M1)			
151	0257F20120	HEAT EXCHANGER ASSY (M2)			
151	0257F20121	HEAT EXCHANGER ASSY (M3)			
151	0257F20122	HEAT EXCHANGER ASSY (M4)			
161	M0326804	TUBE PLUG			
171	0121F00540	SHEILD, BURNER (M1)			
171	0121F00541	SHEILD, BURNER (M2, M3)			
171	0121F00542	SHEILD, BURNER (M4)			
181	0154F00043	GASKET ID BLOWER			
231	A1781105	CAP-VINYL .500			
261	0121F00317	COVER, REAR (M1, M2)			
261	0121F00318	COVER, REAR (M3, M4)			
271	0154F00037	GASKET, REAR CVR (M1, M2)			
271	0154F00038	GASKET, REAR CVR (M3, M4)			
371	20162903	LIMIT, PRIMARY (M1)			
371	20162904	LIMIT, PRIMARY (M2, M3, M4)			
NS	0121F00583	INSULATION, RETAINER (M1, M2)			
NS	0121F00584	INSULATION, RETAINER (M3, M4)			
NS	0121F20013	PLATE, HEAT SHIELD			
NS	0121F00355	SHIELD, COIL (QTY 2)			

## Expanded Model Nomenclature

M1 - GDVM970603BNAA
M2 - GDVM970803BNAA
M3 - GDVM970804CNAA
M4 - GDVM971005CNAA