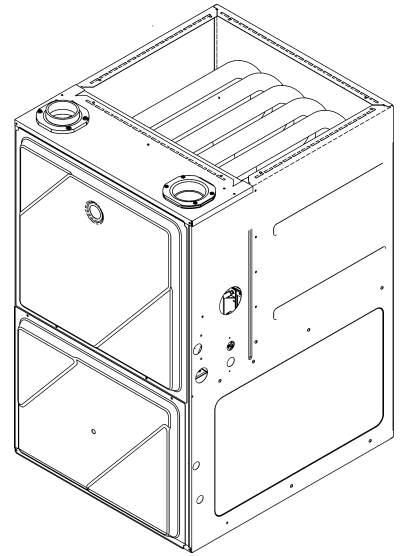




REPAIR PARTS

GR9S 96% Multi Position Furnace

GR9S960403BUAA
GR9S960403BUAB
GR9S960603BUAA
GR9S960603BUAB
GR9S960805CUAA
GR9S960805CUAB



This manual is to be used by qualified technicians only.

This manual replaces RP-G2362

© 2024 , 2026 Daikin Comfort Technologies Manufacturing, Inc. ♦ 19001 Kermier Rd. ♦ Waller, TX 77484

Important Information

Index

Functional Parts List	3
Illustration and Parts	4 - 11

Views shown are for parts illustrations only, not servicing procedures.

Text Codes:

AR - As Required

NA - Not Available

NS - Not Shown

00000000 - See Note

QTY - Quantity Example (QTY 3) (If Quantity not shown, Quantity = 1)

M - Model Example (M1) (If M Code not shown, then part is used on all Models)

Expanded Model Nomenclature:

Example
M1 - Model#1
M2 - Model#2
M3 - Model#3

Daikin Comfort Technologies Manufacturing , Inc. is not responsible for personal injury or property damage resulting from improper service. Review all service information before beginning repairs.

Warranty service must be performed by an authorized technician, using authorized factory parts. If service is required after the warranty expires, Daikin Comfort Technologies Manufacturing , Inc. also recommends contacting an authorized technician and using authorized factory parts.

Daikin Comfort Technologies Manufacturing , Inc. reserves the right to discontinue, or change at any time, specifications or designs without notice or without incurring obligations.

For assistance within the U.S.A. contact:
Homeowner Support
Daikin Comfort Technologies Manufacturing , Inc.
19001 Kermier Road
Waller, Texas 77484
877-254-4729-Telephone
713-863-2382-Facsimile

For assistance outside the U.S.A. contact:
International Division
Daikin Comfort Technologies Manufacturing , Inc.
19001 Kermier Road
Waller, Texas 77484
713-861-2500-Telephone
713-863-2382-Facsimile

Functional Parts

Part

No: Description:

0271F20052	BLOWER HSG ASSY (M1, M2)
0130F00762	FLAME SENSOR
0151M00108	GAS VALVE
0154F00069	GASKET LIMIT ULN
0257F20085	HEAT EXCHANGER ASSY (M5)
0257F20084	HEAT EXCHANGER ASSY (M3)
0257F20083	HEAT EXCHANGER ASSY (M1)
0257F00469	HEAT EXCHANGER ASSY (M6)
0257F00468	HEAT EXCHANGER ASSY (M4)
0257F00467	HEAT EXCHANGER ASSY (M2)
0130F00037	LIMIT AUX (QTY 2)
0130F00071	LIMIT, PRIMARY (M3, M4)
20162903	LIMIT, PRIMARY (M1, M2, M5, M6)
0271F00507	MORRISON 11 X 10 BLOWER (M5, M6)
0271F00506	MORRISON 11 X 8 BLOWER (M3, M4)
0131F00334M	MOTOR 1 HP W/O CONTROLLER (M5, M6)
0131F00332M	MOTOR 1/2 HP W/O CONTROLLER (M1, M2, M3, M4)
0171M00009	MOTOR, ID BLOWER
PCBBF303V004	PCB, CONTROL BOARD
0131F00307	PROGRAMMED CONTROLLER (M5, M6)
0131F00306	PROGRAMMED CONTROLLER (M3, M4)
0131F00305	PROGRAMMED CONTROLLER (M1, M2)
0130F00596	SWITCH HIGH LIMIT ULN
0130F20143	SWITCH HIGHLIMIT ULN
0130F00684	SWITCH, PRESSURE
10690402	SWITCH-INTERLOCK
0130F20392	TRANSDUCER
0130M00140	TRANSFORMER 120V TO 24V, 40VA
0130F00955	ULN IGNITER
0150M00043	WHEEL, BLOWER (10 X 8) (M1, M2)

SPECIAL PARTS

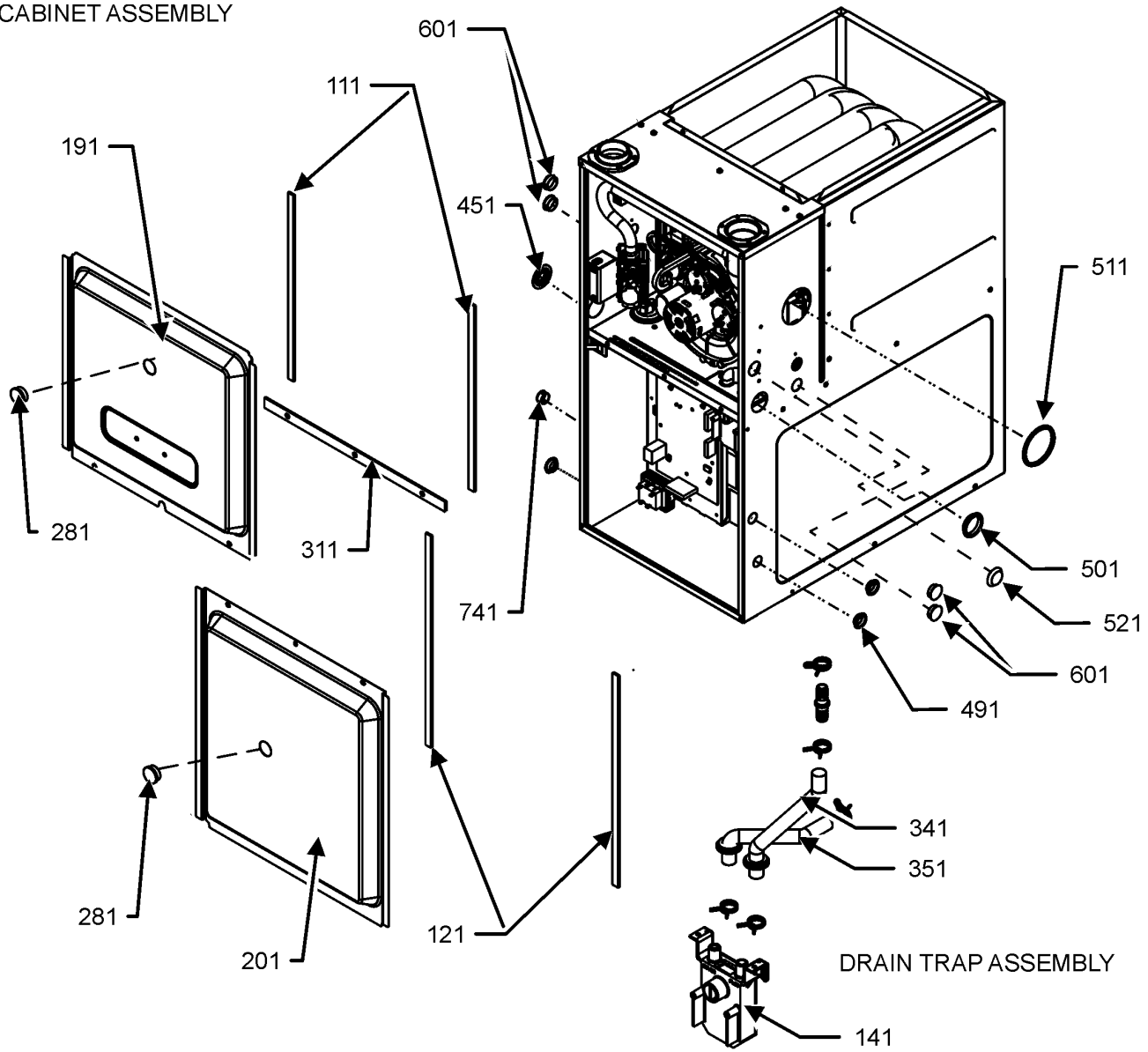
0161F00086 NAMEPLATE, GOODMAN

Expanded Model Nomenclature

M1 - GR9S960403BUAA
M2 - GR9S960403BUAB
M3 - GR9S960603BUAA
M4 - GR9S960603BUAB
M5 - GR9S960805CUAA
M6 - GR9S960805CUAB

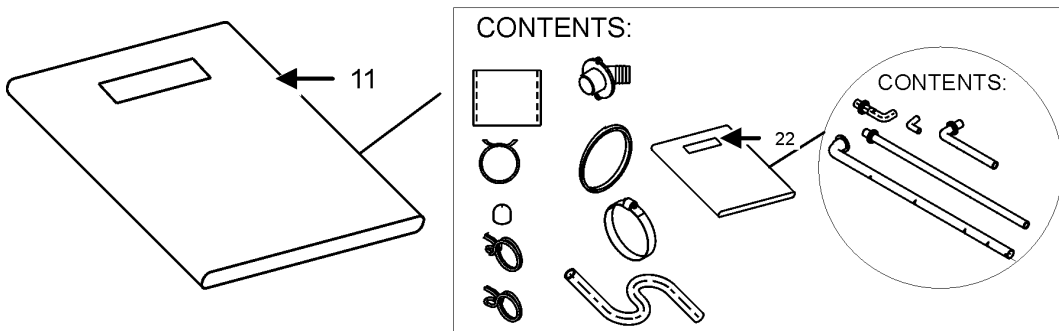
Cabinet Assembly

CABINET ASSEMBLY



CABINET ASSEMBLY MAY DIFFER FROM WHAT IS SHOWN

DRAIN KIT ASSEMBLY



Cabinet Assembly

Ref. Part No:	Ref. Part No:	Description:	Description:
---------------	---------------	--------------	--------------

Image 1:

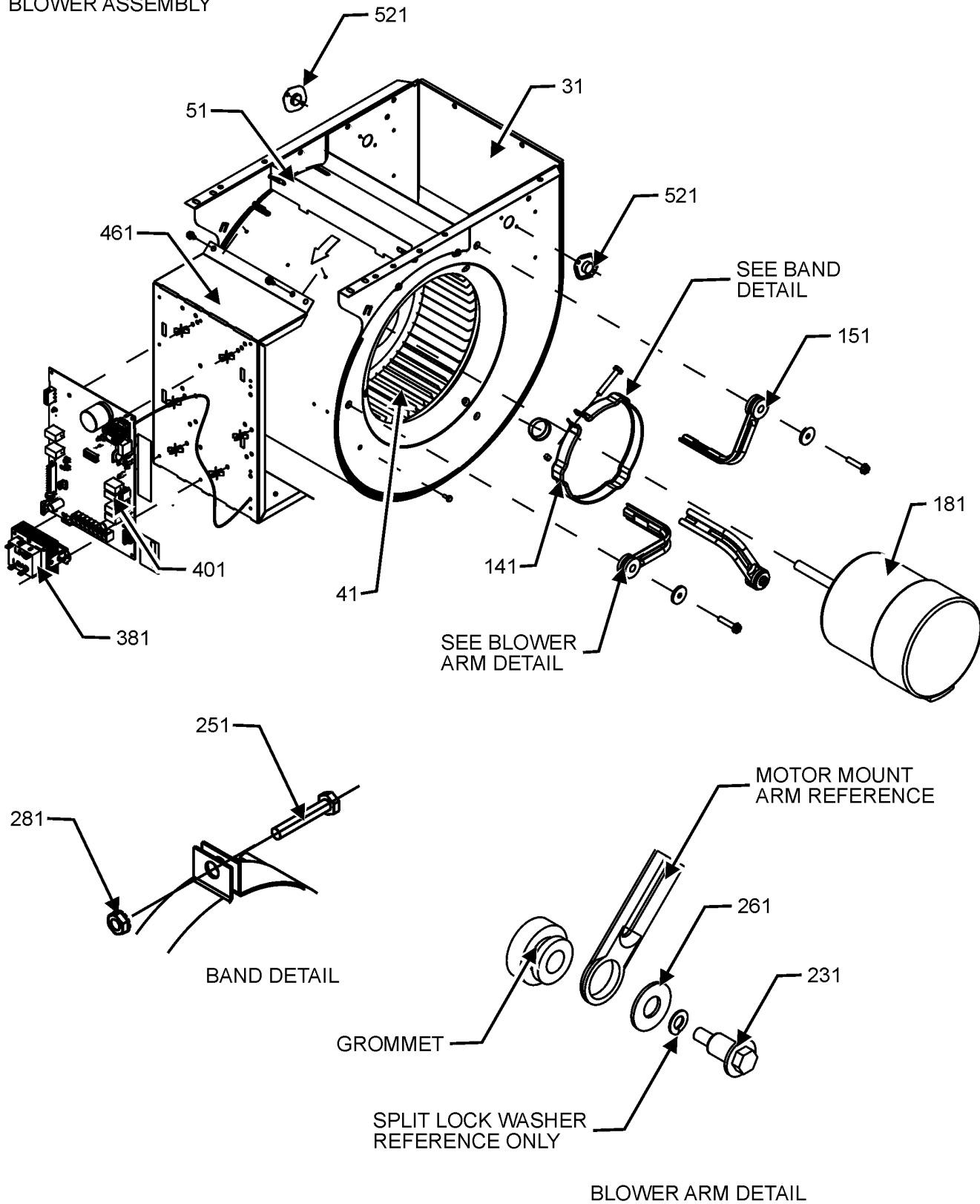
11	0270F20730	DRAIN KIT ASSY
21	0270F20730	DRAIN KIT ASSY
111	0154F00024	GASKET (QTY 2)
121	0154F00025	GASKET (QTY 2)
141	0161F00046	DRAIN TRAP
191	0121F00291DG	DOOR, ACCESS 17.5 PNT (M1, M2, M3, M4)
191	0121F00292DG	DOOR, ACCESS 21 PNT (M5, M6)
201	0121F00288DG	DOOR, BLOWER 17.5 PNT (M1, M2, M3, M4)
201	0121F00289DG	DOOR, BLOWER 21 PNT (M5, M6)
281	B1392139	VIEW PORT BUSHING-BLOWER DOOR (QTY 2)
311	0154F00020	GASKET, DECK (M1, M2, M3, M4)
311	0154F00021	GASKET, DECK (M5, M6)
341	0164F00017	HOSE-ELBOW/TRAP
351	0164F00024	HOSE, COVER/TRAP
451	M0501301	PIPE GROMMET
491	M0570808	BUTTON PLUG (QTY 3)
501	M0570806	BUTTON PLUG
511	M0570807	BUTTON PLUG
521	0161M00027	PLUG, HOLE
601	B1392021	PLASTIC PLUG, 1" (2713-BLK) (QTY 4)
741	B1392104	UNIVERSAL BUSHING UB 875
NS	M0310345	BUTTON PLUG (QTY 2)
NS	0163M00319	HEX NUT-INSERT (QTY 3)
NS	0161F00086	NAMEPLATE, GOODMAN
NS	M0273904	RETAINER-SCREW (QTY 3)
NS	M0209730	SCREW-DECORATIVE (QTY 3)

Expanded Model Nomenclature

M1 - GR9S960403BUAA
M2 - GR9S960403BUAB
M3 - GR9S960603BUAA
M4 - GR9S960603BUAB
M5 - GR9S960805CUAA
M6 - GR9S960805CUAB

Blower Assembly

BLOWER ASSEMBLY



BLOWER ASSEMBLY MAY DIFFER FROM WHAT IS SHOWN

Blower Assembly

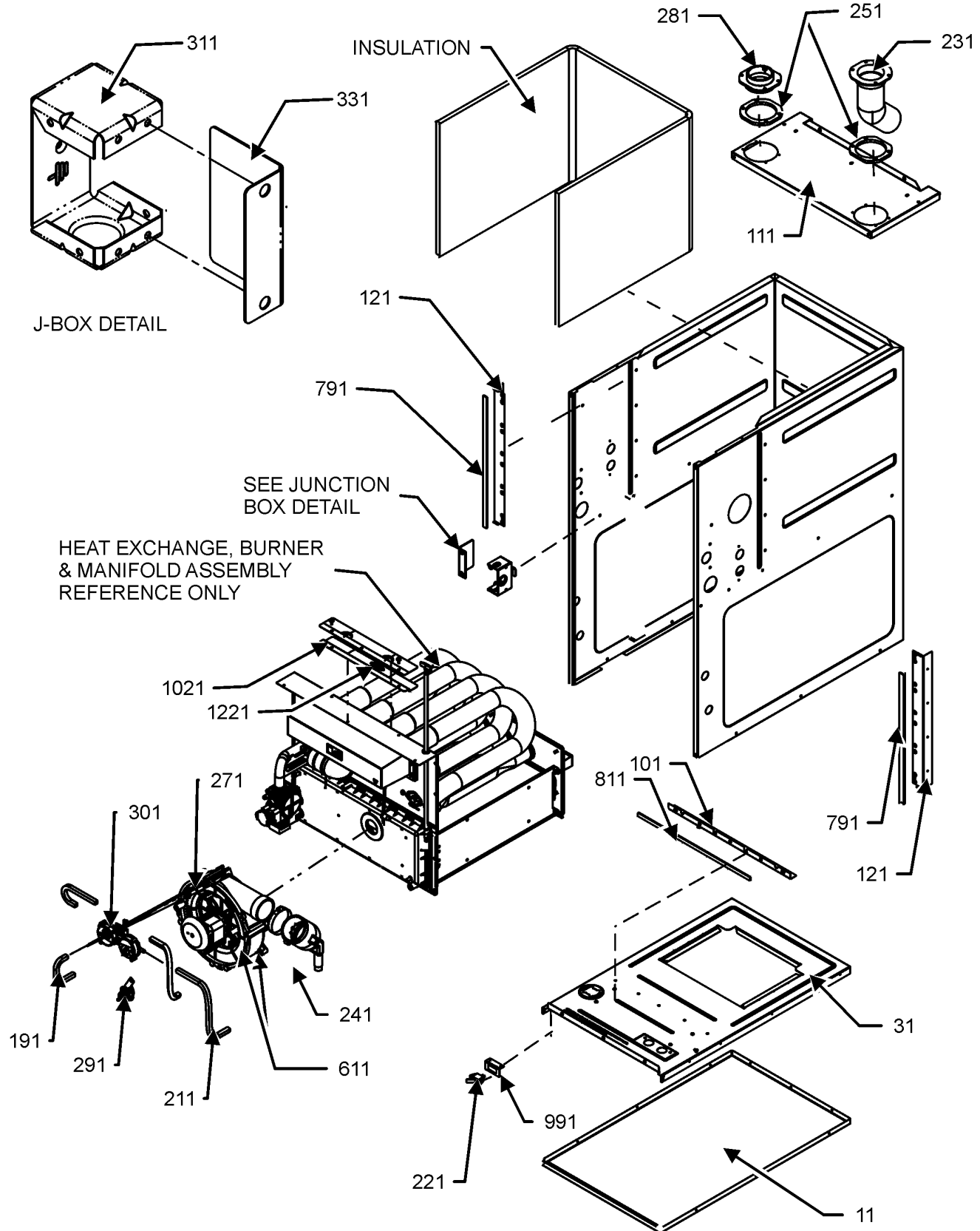
Ref. Part No:	Ref. Part No:	Description:	Description:
Image 1:			
31	0271F20052	BLOWER HSG ASSY (M1, M2)	
31	0271F00507	MORRISON 11 X 10 BLOWER (M5, M6)	
31	0271F00506	MORRISON 11 X 8 BLOWER (M3, M4)	
41	0150M00043	WHEEL, BLOWER (10 X 8) (M1, M2)	
51	764740	BLOWER BLOCK-OFF 10 X 8 (M1, M2)	
141	0121M00038	MOUNT BAND, MOTOR (M1, M2, M3, M4)	
141	0121M00039	MOUNT BAND, MOTOR (HEAVY DUTY) (M5, M6)	
151	0163F20002	MOTOR MOUNT ARM (M1, M2, M3, M4)	
151	0163M00538	MOUNT ARM, MOTOR (M5, M6)	
181	0131F00334M	MOTOR 1 HP W/O CONTROLLER (M5, M6)	
181	0131F00332M	MOTOR 1/2 HP W/O CONTROLLER (M1, M2, M3, M4)	
181	0131F00305	PROGRAMMED CONTROLLER (M1, M2)	
181	0131F00306	PROGRAMMED CONTROLLER (M3, M4)	
181	0131F00307	PROGRAMMED CONTROLLER (M5, M6)	
231	M0250565	TC SCREW 1.25" (QTY 3)	
251	0163M00320	HEX HEAD ALL THREAD TAP BOLT (M5, M6)	
251	B1393323	SCREW, MACH HWH 1/4-20X1 1/2 BZ (M1, M2, M3, M4)	
261	B1392918	WASHER, FLAT 1/4 ID X 1 OD (QTY 3)	
281	B1393800	LOCKNUT, NYLON, INSERT 1/4, 20 (M1, M2, M3, M4)	
281	M0282015	NUT KEPS (M5, M6)	
381	0130M00140	TRANSFORMER 120V TO 24V, 40VA	
401	PCBBF303V004	PCB, CONTROL BOARD	
461	0121F00802	MOUNTING PLATE-CONTROLS	
521	0130F00037	LIMIT AUX (QTY 2)	
NS	0159F00160	CTM, MOTOR HARNESS	
NS	B1392021	PLASTIC PLUG, 1" (2713-BLK) (QTY 4)	
NS	B1392918	WASHER, FLAT 1/4 ID X 1 OD (QTY 3)	
NS	B1392820	WASHER, SPLIT LOCK 1/4 BZ (M5, M6)	
NS	0259F00024	WIRE HARNESS-BLOWER	

Expanded Model Nomenclature

M1 - GR9S960403BUAA
M2 - GR9S960403BUAB
M3 - GR9S960603BUAA
M4 - GR9S960603BUAB
M5 - GR9S960805CUAA
M6 - GR9S960805CUAB

Chassis Assembly

CHASSIS ASSEMBLY



CHASSIS ASSEMBLY MAY DIFFER FROM WHAT IS SHOWN

Chassis Assembly

Ref. Part No:	Part No:	Description:	Ref. Part No:	Part No:	Description:
---------------	----------	--------------	---------------	----------	--------------

Image 1:

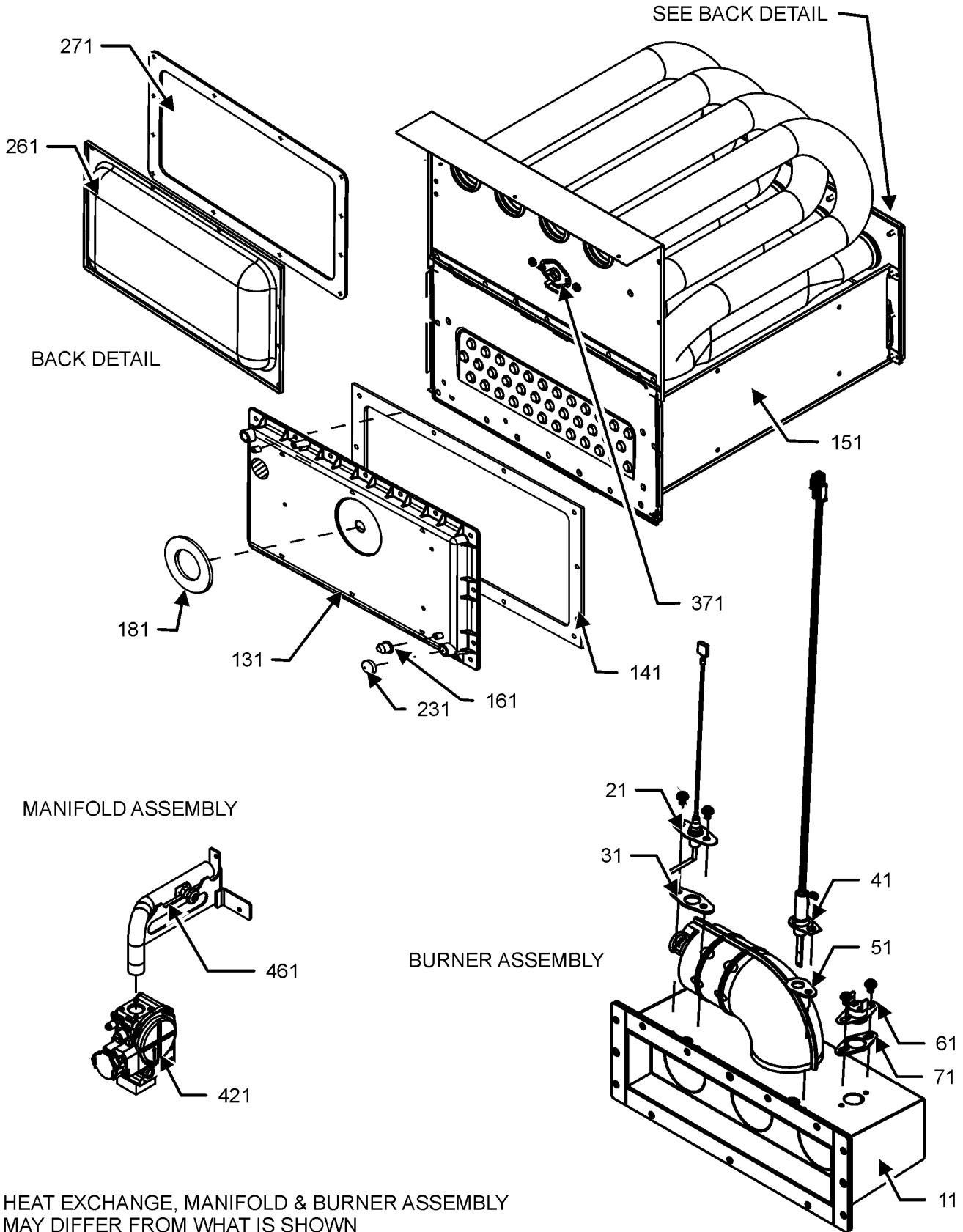
11	0121F00530DG	BASEPAN, 17.5 (M1, M2, M3, M4)
11	0121F00531DG	BASEPAN, 21 PNT (M5, M6)
31	0121F00766	DECK- BLOWER 17.5" (M1, M2, M3, M4)
31	0121F00767	DECK- BLOWER 21" (M5, M6)
101	0121F00314	ANGLE, DECK (M1, M2, M3, M4)
101	0121F00315	ANGLE, DECK (M5, M6)
111	0121F20176DG	PNL, FURNACE TOP (M1, M2, M3, M4)
111	0121F20177DG	PNL, FURNACE TOP (M5, M6)
121	0121F00313	ANGLE, SIDE (QTY 2)
191	0164M20000	HOSE, PRESSURE
211	0164M20004	HOSE, PRESSURE
221	10690402	SWITCH-INTERLOCK
231	0164F20005	FLUE PIPE
241	0164F00029	ELBOW-FLUE,UPFLOW
251	0154F00041	FRESH AIR GASKET (QTY 2)
271	0171M00009	MOTOR, ID BLOWER
281	0161F00037	COUPLING
291	0130F20392	TRANSDUCER
301	0130F00684	SWITCH, PRESSURE
311	0121F20060	BOX JUNCTION 90%
331	0121F20061	BOX JUNCTION 80%
611	0163M00460	CLAMP-HOSE (QTY 2)
791	0154F00015	GASKET (QTY 2)
811	0154F00014	GASKET (M1, M2, M3, M4)
811	0154F00016	GASKET (M5, M6)
991	0121F00389	BRACKET, DOOR SWITCH
1021	0121F00704	BAFFLE, AIR ULN
1221	0130F20143	SWITCH HIGHLIMIT ULN
NS	0121F00704	BAFFLE, AIR ULN
NS	0154F00041	FRESH AIR GASKET (QTY 2)
NS	0160F00015	INSULATION, HT EXCHANGER 17.5" (M1, M2, M3, M4)
NS	0160F00016	INSULATION, HT EXCHANGER 21" (M5, M6)
NS	M0326804	PLUG-TUBE (M5, M6)
NS	0259F00277	WIRE HARNESS-BAFFLE LIMIT

Expanded Model Nomenclature

M1 - GR9S960403BUAA
M2 - GR9S960403BUAB
M3 - GR9S960603BUAA
M4 - GR9S960603BUAB
M5 - GR9S960805CUAA
M6 - GR9S960805CUAB

Heat Exchange Assembly

HEAT EXCHANGE ASSEMBLY



HEAT EXCHANGE, MANIFOLD & BURNER ASSEMBLY
MAY DIFFER FROM WHAT IS SHOWN

Heat Exchange Assembly

Ref. Part No:	Part No:	Description:	Ref. Part No:	Part No:	Description:
Image 1:					
11	0163F00055	ULN Burner Assy (M1)			
11	0163F00056	ULN Burner Assy (M3)			
11	0163F00057	ULN Burner Assy (M5)			
11	0163F00076	ULN Burner Assy (M2)			
11	0163F00077	ULN Burner Assy (M4)			
11	0163F00078	ULN Burner Assy (M6)			
21	0130F00762	FLAME SENSOR			
31	0154F00068	GASKET ULN FLAME SENOR			
41	0130F00955	ULN IGNITER			
51	0154F00067	GASKET ULN IGNITOR			
61	0130F00596	SWITCH HIGH LIMIT ULN			
71	0154F00069	GASKET LIMIT ULN			
131	0161F00073	COVER, FRONT (M1, M2, M3, M4)			
131	0161F00074	COVER, FRONT (M5, M6)			
141	0154F00026	GASKET FRONT COVER (M1, M2, M3, M4)			
141	0154F00030	GASKET FRONT COVER (M5, M6)			
151	0257F00467	HEAT EXCHANGER ASSY (M2)			
151	0257F00468	HEAT EXCHANGER ASSY (M4)			
151	0257F00469	HEAT EXCHANGER ASSY (M6)			
151	0257F20083	HEAT EXCHANGER ASSY (M1)			
151	0257F20084	HEAT EXCHANGER ASSY (M3)			
151	0257F20085	HEAT EXCHANGER ASSY (M5)			
161	M0326804	TUBE PLUG (M5, M6)			
181	0154F00066	GASKET ID ORIFICE			
231	A1781105	CAP-VINYL .500			
261	0121F00317	COVER, REAR (M1, M2, M3, M4)			
261	0121F00318	COVER, REAR (M5, M6)			
271	0154F00046	GASKET, REAR CVR (M1, M2, M3, M4)			
271	0154F00047	GASKET, REAR CVR (M5, M6)			
371	0130F00071	LIMIT, PRIMARY (M3, M4)			
371	20162903	LIMIT, PRIMARY (M1, M2, M5, M6)			
421	0151M00108	GAS VALVE			
461	0263F00007	ULN MANIFOLD ASSY (M1)			
461	0263F00008	ULN MANIFOLD ASSY (M3)			
461	0263F00009	ULN MANIFOLD ASSY (M5)			
461	0263F00011	ULN MANIFOLD ASSY (M2)			
461	0263F00012	ULN MANIFOLD ASSY (M4)			
461	0263F00013	ULN MANIFOLD ASSY (M6)			
NS	0154F00105	GASKET, BRNR FRONT (M1, M2)			
NS	0154F00106	GASKET, BRNR FRONT (M3, M4)			
NS	0154F00107	GASKET, BRNR FRONT (M5, M6)			
NS	0121F00583	INSULATION, RETAINER (M1, M2, M3, M4)			
NS	0121F00584	INSULATION, RETAINER (M5, M6)			

Expanded Model Nomenclature

M1 - GR9S960403BUAA
M2 - GR9S960403BUAB
M3 - GR9S960603BUAA
M4 - GR9S960603BUAB
M5 - GR9S960805CUAA
M6 - GR9S960805CUAB