



REPAIR PARTS

GRVM 97% ECM UF Furnace

GRVM970603BNAA
GRVM970803BNAA
GRVM970804CNAA
GRVM971005CNAA
GRVM971205DNAA



This manual is to be used by qualified technicians only.

© 2025 Goodman Manufacturing Company, L.P. ♦ 19001 Kermier Rd. ♦ Waller, TX 77484

Important Information

Index

Functional Parts List	3
Illustration and Parts	4 - 11

Views shown are for parts illustrations only, not servicing procedures.

Text Codes:

AR - As Required

NA - Not Available

NS - Not Shown

00000000 - See Note

QTY - Quantity Example (QTY 3) (If Quantity not shown, Quantity = 1)

M - Model Example (M1) (If M Code not shown, then part is used on all Models)

Expanded Model Nomenclature:

Example M1 - Model#1 M2 - Model#2 M3 - Model#3

Goodman Manufacturing Company, L.P. is not responsible for personal injury or property damage resulting from improper service. Review all service information before beginning repairs.

Warranty service must be performed by an authorized technician, using authorized factory parts. If service is required after the warranty expires, Goodman Manufacturing Company, L.P. also recommends contacting an authorized technician and using authorized factory parts.

Goodman Manufacturing Company, L.P. reserves the right to discontinue, or change at any time, specifications or designs without notice or without incurring obligations.

For assistance within the U.S.A. contact:
Homeowner Support
Goodman Manufacturing Company, L.P.
19001 Kermier Road
Waller, Texas 77484
877-254-4729-Telephone
713-863-2382-Facsimile

For assistance outside the U.S.A. contact:
International Division
Goodman Manufacturing Company, L.P.
19001 Kermier Road
Waller, Texas 77484
713-861-2500-Telephone
713-863-2382-Facsimile

Functional Parts

Part

No: Description:

0130F00038	AUX LIMIT (QTY 2)
SHARED DATA	Available thru CoolCloud HVAC app.
0163F00017	BECKETT BURNER (QTY 3)
0130F00010	FLAME SENSOR
0151M00092	GAS VALVE, WR MOD
0257F20143	HEAT EXCHANGER ASSY (M4)
0257F20142	HEAT EXCHANGER ASSY (M3)
0257F20141	HEAT EXCHANGER ASSY (M2)
0257F20140	HEAT EXCHANGER ASSY (M1)
0257F20135	HEAT EXCHANGER ASSY (M5)
0130F00008	IGNITOR-SINI 17 SEC
0130M00141	INDUCTOR, 5.9 AMPS (M3, M4, M5)
20162903	LIMIT, PRIMARY (M3, M4)
0130F00036	LIMIT, PRIMARY (M1)
20162904	LIMIT, PRIMARY (M5)
20162906	LIMIT, PRIMARY (M2)
10123529	LIMIT-RESET MAN-GREEN (QTY 2)
0271F00507	MORRISON 11 X 10 BLOWER (M3, M4)
0271F00508	MORRISON 11 X 11 BLOWER (M5)
0271F00506	MORRISON 11 X 8 BLOWER (M1, M2)
0131M01011	MOTOR, 1 HP (M4, M5)
0131M01002	MOTOR, 1/2 HP (M1, M2)
0131M01003	MOTOR, 3/4 HP (M3)
0171M00009	MOTOR, ID BLOWER
PCBKF322	PCB, CONTROL BOARD
0130F00724	PRESSURE SWITCH (M2)
0130F00429	PRESSURE SWITCH
0130F00723	PRESSURE SWITCH (M1)
0130F00725	PRESSURE SWITCH (M4)
0130F00726	PRESSURE SWITCH (M5)
0130F00722	PRESSURE SWITCH (M3)
10690402	SWITCH-INTERLOCK
0130M00140	TRANSFORMER 120V TO 24V, 40VA

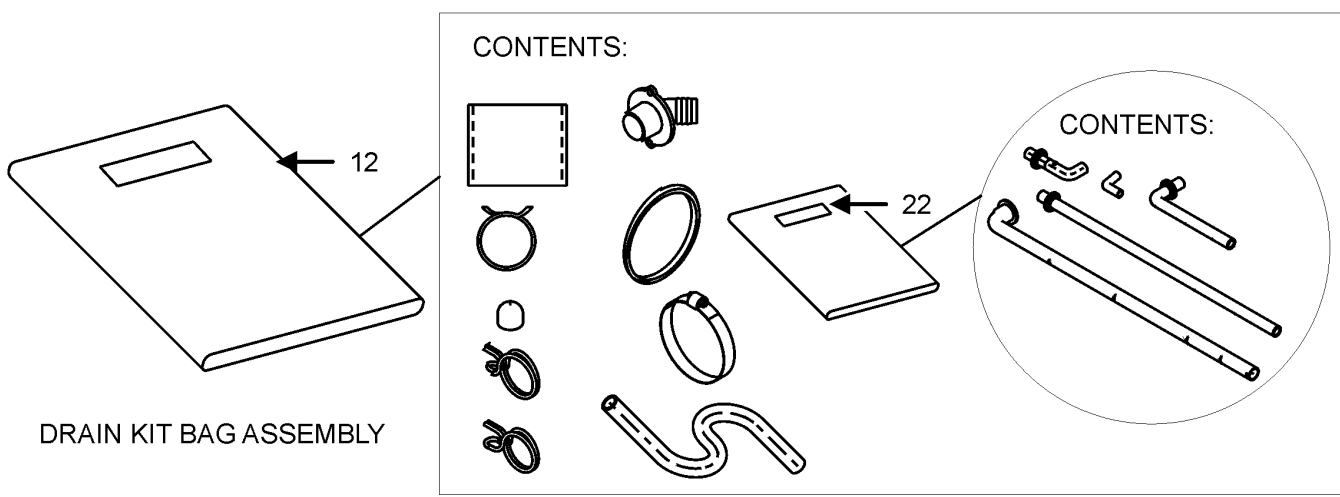
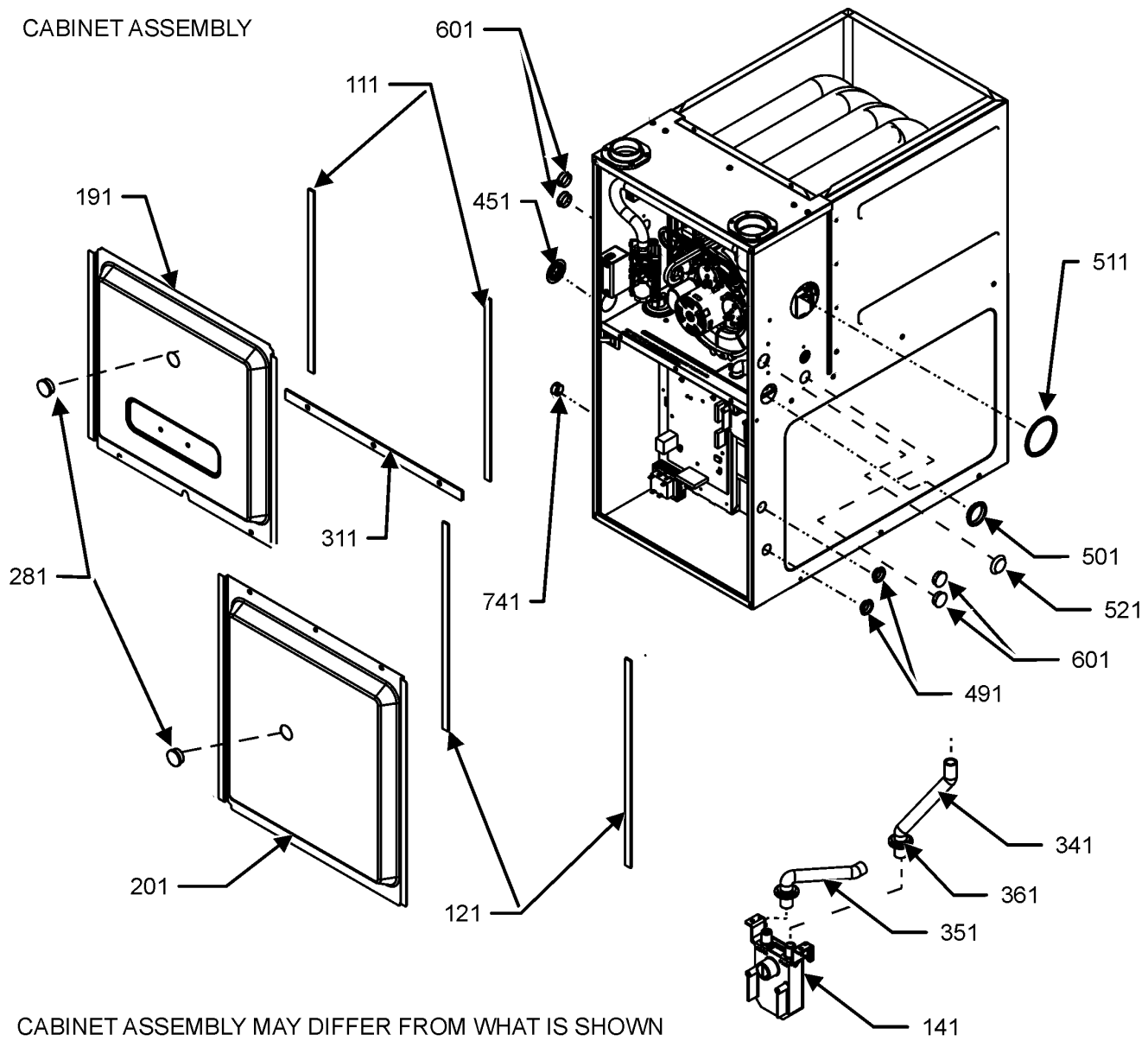
SPECIAL PARTS

0161F00086 NAMEPLATE, GOODMAN

Expanded Model Nomenclature

M1 - GRVM970603BNAA
M2 - GRVM970803BNAA
M3 - GRVM970804CNAA
M4 - GRVM971005CNAA
M5 - GRVM971205DNAA

Cabinet Assembly



Cabinet Assembly

Ref. Part No: No:	Description:	Ref. Part No: No:	Description:
-------------------	--------------	-------------------	--------------

Image 1:

111	0154F00024	GASKET (QTY 2)
121	0154F00025	GASKET (QTY 2)
141	0161F00046	DRAIN TRAP
191	0121F00291DG	DOOR, ACCESS 17.5 PNT (M1, M2)
191	0121F00292DG	DOOR, ACCESS 21 PNT (M3, M4)
191	0121F00293DG	DOOR, ACCESS 24.5 PNT (M5)
201	0121F00288DG	DOOR, BLOWER 17.5 PNT (M1, M2)
201	0121F00289DG	DOOR, BLOWER 21 PNT (M3, M4)
201	0121F00290DG	DOOR, BLOWER 24.5 PNT (M5)
281	B1392139	VIEW PORT BUSHING-BLOWER DOOR (QTY 2)
311	0154F00020	GASKET, DECK (M1, M2)
311	0154F00021	GASKET, DECK (M3, M4)
311	0154F00022	GASKET, DECK (M5)
341	0164F00017	HOSE-ELBOW/TRAP
351	0164F00006	HOSE, COVER/TRAP (M5)
351	0164F00024	HOSE, COVER/TRAP (M1, M2, M3, M4)
361	M0119206	CLAMP HOSE (QTY 5)
451	M0501301	PIPE GROMMET
491	M0570808	BUTTON PLUG (QTY 3)
501	M0570806	BUTTON PLUG
511	M0570807	BUTTON PLUG
521	0161M00027	PLUG, HOLE
601	B1392021	PLASTIC PLUG, 1" (2713-BLK) (QTY 4)
741	B1392104	UNIVERSAL BUSHING UB 875
NS	M0310345	BUTTON PLUG (QTY 2)
NS	0163M00319	HEX-NUT INSERT (QTY 3)
NS	0161F00086	NAMEPLATE, GOODMAN
NS	M0273904	RETAINER-SCREW (QTY 3)
NS	M0209730	SCREW-DECORATIVE (QTY 3)

Image 2:

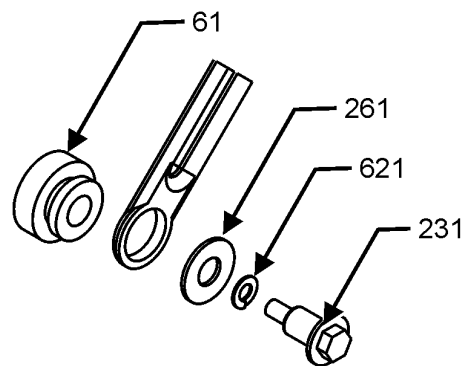
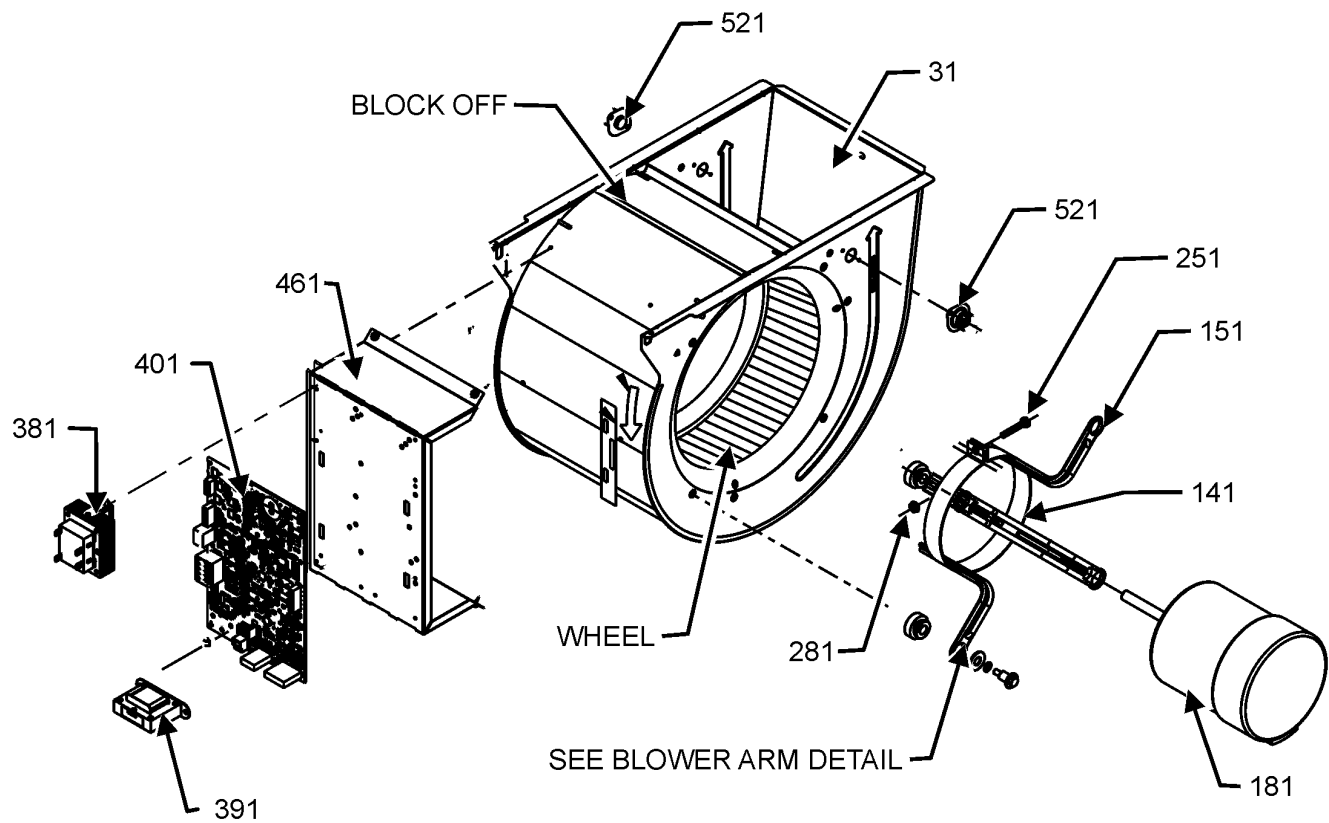
12	0270F20409	DRAIN KIT ASSY
22	0270F20409	DRAIN KIT ASSY

Expanded Model Nomenclature

M1 - GRVM970603BNAA
M2 - GRVM970803BNAA
M3 - GRVM970804CNAA
M4 - GRVM971005CNAA
M5 - GRVM971205DNAA

Blower Assembly

BLOWER ASSEMBLY



BLOWER ARM DETAIL

BLOWER ASSEMBLY MAY DIFFER FROM WHAT IS SHOWN

Blower Assembly

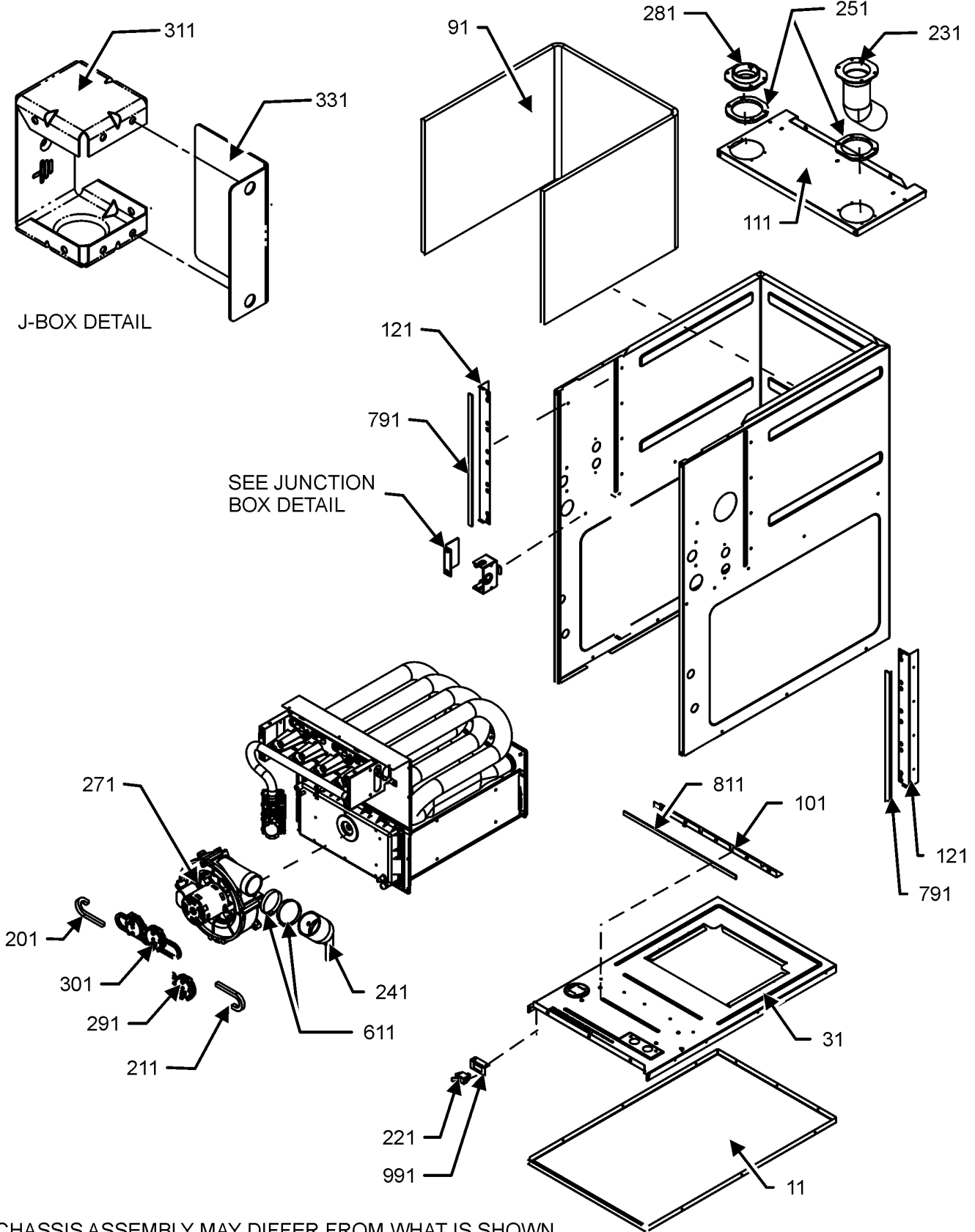
Ref. Part No:	Ref. Part No:	Description:	Description:
Image 1:			
31	0271F00507	MORRISON 11 X 10 BLOWER (M3, M4)	
31	0271F00508	MORRISON 11 X 11 BLOWER (M5)	
31	0271F00506	MORRISON 11 X 8 BLOWER (M1, M2)	
61	A4002702	BLOWER MOTOR GROMMET (M3, M4, M5)	
141	0121M00038	MOTOR MOUNT BAND (M1, M2)	
141	10441601	MOTOR MOUNT BAND (M3, M4, M5)	
151	10441501	MOTOR MOUNT ARM (M3, M4, M5)	
151	B1376857	MOTOR MOUNT ARM (M1, M2)	
181	0131M01011	MOTOR, 1 HP (M4, M5)	
181	0131M01002	MOTOR, 1/2 HP (M1, M2)	
181	0131M01003	MOTOR, 3/4 HP (M3)	
231	0163F00028	SCREW (M3, M4, M5)	
231	M0250565	TC SCREW 1.25" (M1, M2)	
251	0163M00320	HEX HEAD ALL THREAD TAP BOLT (M4, M5)	
251	B1393323	MACHINE SCREW HWH 1/4-20 X 1-1/2 BZ (M1, M2, M3)	
261	B1392918	WASHER, FLAT 1/4 ID X 1 OD (M1, M2)	
261	M0274008	WASHER-FLAT (M3, M4, M5)	
281	M0282015	KEPS NUT (M4, M5)	
281	B1393800	LOCKNUT, NYLON, INSERT 1/4, 20 (M1, M2, M3)	
381	0130M00140	TRANSFORMER 120V TO 24V, 40VA	
391	0130M00141	INDUCTOR, 5.9 AMPS (M3, M4, M5)	
401	PCBKF322	PCB, CONTROL BOARD	
461	0121F00802	MOUNTING PLATE-CONTROLS	
521	0130F00038	AUX LIMIT (QTY 2)	
621	B1392820	WASHER, SPLIT LOCK 1/4 BZ (M3, M4, M5)	
NS	SHARED DATA	Available thru CoolCloud HVAC app.	
NS	0259F00040	CONTROL HARNESS	
NS	B1392021	PLASTIC PLUG, 1" (2713-BLK) (QTY 4)	
NS	0259F00041	POWER HARNESS HIGH VOLTAGE (M3, M4, M5)	
NS	0259F00024	WIRE HARNESS-BLOWER	

Expanded Model Nomenclature

M1 - GRVM970603BNAA
M2 - GRVM970803BNAA
M3 - GRVM970804CNAA
M4 - GRVM971005CNAA
M5 - GRVM971205DNAA

Chassis Assembly

CHASSIS ASSEMBLY



CHASSIS ASSEMBLY MAY DIFFER FROM WHAT IS SHOWN

Chassis Assembly

Ref. Part No:	Part No:	Description:	Ref. Part No:	Part No:	Description:
---------------	----------	--------------	---------------	----------	--------------

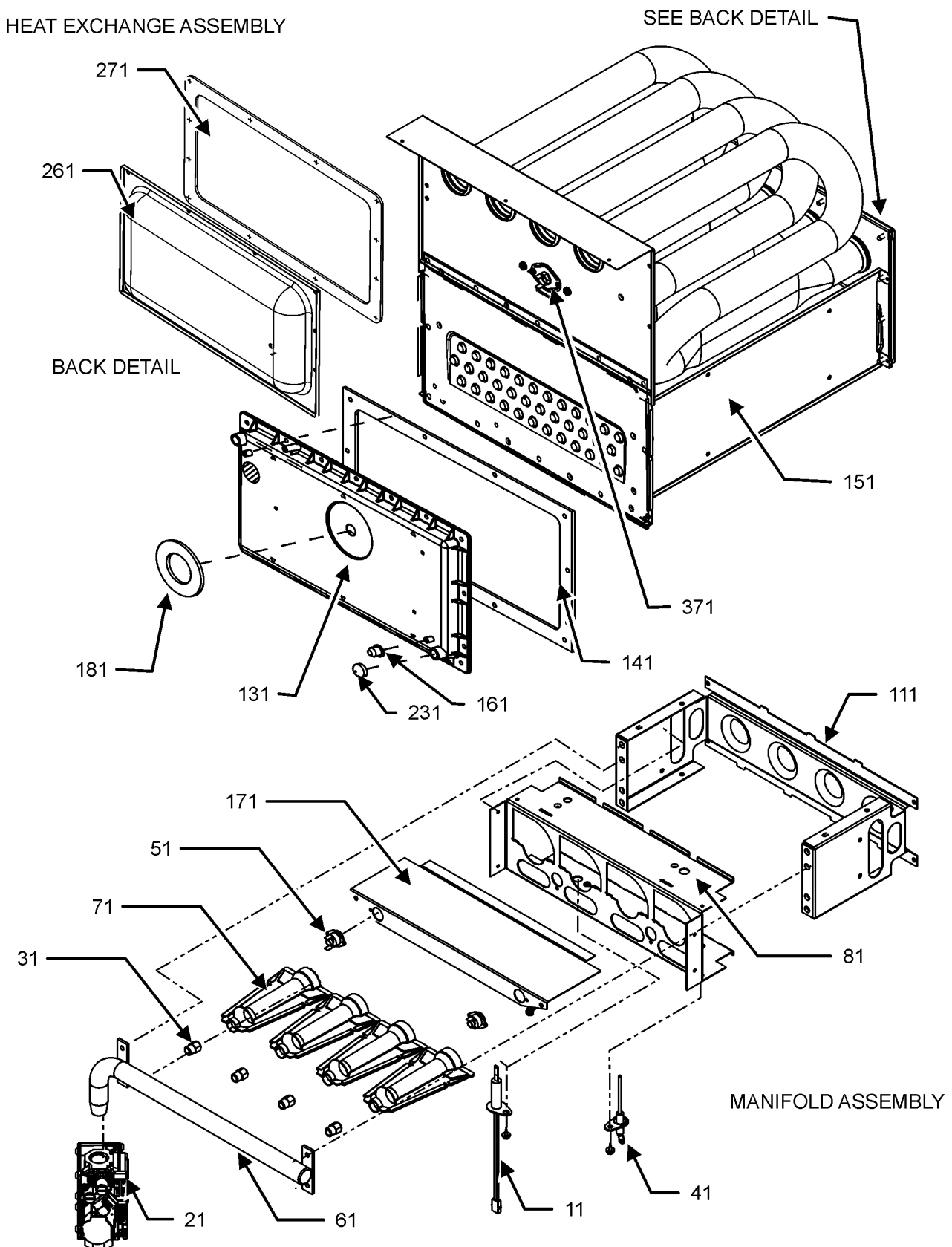
Image 1:

11	0121F00530DG	BASEPAN, 17.5 PNT (M1, M2)
11	0121F00531DG	BASEPAN, 21 PNT (M3, M4)
11	0121F00532DG	BASEPAN, 24.5 PNT (M5)
31	0121F00766	DECK- BLOWER 17.5" (M1, M2)
31	0121F00767	DECK- BLOWER 21" (M3, M4)
31	0121F00768	DECK- BLOWER 24.5" (M5)
91	0160F00015	INSULATION, HT EXCHANGER 17.5" (M1, M2)
91	0160F00016	INSULATION, HT EXCHANGER 21" (M3, M4)
91	0160F00017	INSULATION, HT EXCHANGER 24.5" (M5)
101	0121F00314	ANGLE, DECK (M1, M2)
101	0121F00315	ANGLE, DECK (M3, M4)
101	0121F00316	ANGLE, DECK (M5)
111	0121F00279DG	PAINTED TOP, FURNACE 17.5 (M1, M2)
111	0121F00280DG	PAINTED TOP, FURNACE 21 (M3, M4)
111	0121F00281DG	PAINTED TOP, FURNACE 24.5 (M5)
121	0121F00313	ANGLE, SIDE (QTY 2)
201	0164M20000	HOSE, PRESSURE
211	0164M20002	HOSE, PRESSURE (M3, M4, M5)
221	10690402	SWITCH-INTERLOCK
231	0164F00002	FLUE PIPE W/BEND
241	0164F00029	ELBOW-FLUE, UPFLOW
251	0154F00041	FRESH AIR GASKET (QTY 2)
271	0171M00009	MOTOR, ID BLOWER
281	0161F00037	COUPLING
291	0130F00429	PRESSURE SWITCH
301	0130F00722	PRESSURE SWITCH (M3)
301	0130F00723	PRESSURE SWITCH (M1)
301	0130F00724	PRESSURE SWITCH (M2)
301	0130F00725	PRESSURE SWITCH (M4)
301	0130F00726	PRESSURE SWITCH (M5)
311	0121F20061	BOX, JUNCTION 80%
331	0121F20060	BOX, JUNCTION 90%
611	0163M00460	CLAMP HOSE (QTY 2)
791	0154F00015	GASKET (QTY 2)
811	0154F00014	GASKET (M1, M2)
811	0154F00016	GASKET (M3, M4)
811	20194607	GASKET (M5)
991	0121F00389	BRACKET, DOOR SWITCH
NS	M0326804	PLUG-TUBE

Expanded Model Nomenclature

- | |
|---------------------|
| M1 - GRVM970603BNAA |
| M2 - GRVM970803BNAA |
| M3 - GRVM970804CNAA |
| M4 - GRVM971005CNAA |
| M5 - GRVM971205DNAA |

Heat Exchange Assembly



HEAT EXCHANGE AND MANIFOLD ASSEMBLY MAY DIFFER FROM WHAT IS SHOWN

Heat Exchange Assembly

Ref. Part No:	Part No:	Description:	Ref. Part No:	Part No:	Description:
<i>Image 1:</i>			Expanded Model Nomenclature		
11	0130F00008	IGNITOR-SINI 17 SEC	M1	-	GRVM970603BNAA
21	0151M00092	GAS VALVE, WR MOD	M2	-	GRVM970803BNAA
31	10716005	ORIFICE (QTY 3)	M3	-	GRVM970804CNAA
41	0130F00010	FLAME SENSOR	M4	-	GRVM971005CNAA
51	10123529	LIMIT-RESET MAN-GREEN (QTY 2)	M5	-	GRVM971205DNAA
61	0163F00008	MANIFOLD (M1)			
61	0163F00009	MANIFOLD (M3)			
61	0163F00010	MANIFOLD (M4)			
61	0163F00011	MANIFOLD (M5)			
61	0163F00014	MANIFOLD (M2)			
71	0163F00017	BECKETT BURNER (QTY 3)			
81	0121F00455	BRACKET-BURNER 3 (M1)			
81	0121F00454	BRACKET-BURNER 4 (M2, M3)			
81	0121F00453	BRACKET-BURNER 5 (M4)			
81	0121F00451	BRACKET-BURNER 6 (M5)			
111	0121F00458	ORIFICE BRACKET-BURNER 3 (M1)			
111	0121F00457	ORIFICE BRACKET-BURNER 4 (M2, M3)			
111	0121F00452	ORIFICE BRACKET-BURNERS 5 (M4)			
111	0121F00447	ORIFICE BRACKET-BURNERS 6 (M5)			
131	0161F00018	COVER, FRONT (M4)			
131	0161F00031	COVER, FRONT (M2)			
131	0161F00056	COVER, FRONT (M1)			
131	0161F00065	COVER,FRONT (M3)			
131	0161F00066	COVER,FRONT (M5)			
141	0154F00026	GASKET FRONT COVER (M1, M2)			
141	0154F00030	GASKET FRONT COVER (M3, M4)			
141	0154F00034	GASKET FRONT COVER (M5)			
151	0257F20135	HEAT EXCHANGER ASSY (M5)			
151	0257F20140	HEAT EXCHANGER ASSY (M1)			
151	0257F20141	HEAT EXCHANGER ASSY (M2)			
151	0257F20142	HEAT EXCHANGER ASSY (M3)			
151	0257F20143	HEAT EXCHANGER ASSY (M4)			
161	M0326804	TUBE PLUG			
171	0121F00540	SHEILD, BURNER (M1)			
171	0121F00541	SHEILD, BURNER (M2, M3)			
171	0121F00542	SHEILD, BURNER (M4)			
171	0121F00543	SHEILD, BURNER (M5)			
181	0154F00043	GASKET ID BLOWER			
231	A1781105	CAP-VINYL .500			
261	0121F00317	COVER, REAR (M1, M2)			
261	0121F00318	COVER, REAR (M3, M4)			
261	0121F00319	COVER, REAR (M5)			
271	0154F00037	GASKET, REAR CVR (M1, M2)			
271	0154F00038	GASKET, REAR CVR (M3, M4)			
271	0154F00039	GASKET, REAR CVR (M5)			
371	0130F00036	LIMIT, PRIMARY (M1)			
371	20162903	LIMIT, PRIMARY (M3, M4)			
371	20162904	LIMIT, PRIMARY (M5)			
371	20162906	LIMIT, PRIMARY (M2)			
NS	0121F00415	AIR FURN BAFFLE			
NS	0121F00583	INSULATION, RETAINER (M1, M2)			
NS	0121F00584	INSULATION, RETAINER (M3, M4)			
NS	0121F00585	INSULATION, RETAINER (M5)			
NS	0121F20013	PLATE, HEAT SHIELD			
NS	0121F20013	PLATE, HEAT SHIELD			
NS	0121F00355	SHIELD, COIL (QTY 2)			