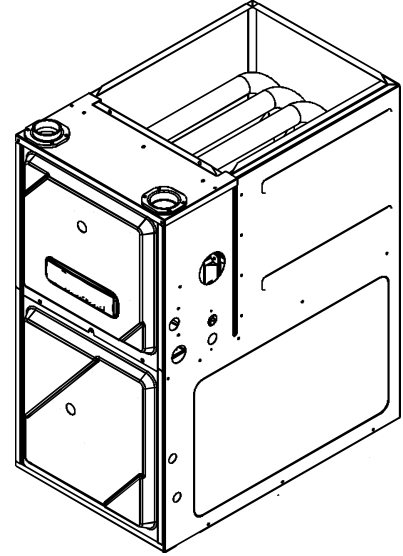




REPAIR PARTS

GRVS 96% Ultra Low Nox Gas Furnace

GRVS960603BUAA
GRVS960603BUAB
GRVS960805CUAA
GRVS960805CUAB



This manual is to be used by qualified technicians only.

This manual replaces RP-G2369.

© 2025 - 2026 Daikin Comfort Technologies Manufacturing, Inc. ♦ 19001 Kermier Rd. ♦ Waller, TX 77484

Important Information

Index

Functional Parts List	3
Illustration and Parts	4 - 11

Views shown are for parts illustrations only, not servicing procedures.

Text Codes:

AR - As Required

NA - Not Available

NS - Not Shown

00000000 - See Note

QTY - Quantity Example (QTY 3) (If Quantity not shown, Quantity = 1)

M - Model Example (M1) (If M Code not shown, then part is used on all Models)

Expanded Model Nomenclature:

Example
M1 - Model#1
M2 - Model#2
M3 - Model#3

Daikin Comfort Technologies Manufacturing , Inc. is not responsible for personal injury or property damage resulting from improper service. Review all service information before beginning repairs.

Warranty service must be performed by an authorized technician, using authorized factory parts. If service is required after the warranty expires, Daikin Comfort Technologies Manufacturing , Inc. also recommends contacting an authorized technician and using authorized factory parts.

Daikin Comfort Technologies Manufacturing , Inc. reserves the right to discontinue, or change at any time, specifications or designs without notice or without incurring obligations.

For assistance within the U.S.A. contact:
Homeowner Support
Daikin Comfort Technologies Manufacturing , Inc.
19001 Kermier Road
Waller, Texas 77484
877-254-4729-Telephone
713-863-2382-Facsimile

For assistance outside the U.S.A. contact:
International Division
Daikin Comfort Technologies Manufacturing , Inc.
19001 Kermier Road
Waller, Texas 77484
713-861-2500-Telephone
713-863-2382-Facsimile

Functional Parts

Part

No: Description:

SHARED DATA	Available thru CoolCloud HVAC app.
0130F00762	FLAME SENSOR
0151M00108	GAS VALVE
0257F20085	HEAT EXCHANGER ASSY (M3)
0257F00469	HEAT EXCHANGER ASSY (M4)
0257F20084	HEAT EXCHANGER ASSY (M1)
0257F00468	HEAT EXCHANGER ASSY (M2)
0130F00071	LIMIT SWITCH (M1, M2)
0130F00038	LIMIT, AUX (QTY 2)
0271F00507	MORRISON 11 X 10 BLOWER (M3, M4)
0271F00506	MORRISON 11 X 8 BLOWER (M1, M2)
0131M01011	MOTOR, 1 HP (M3, M4)
0131M01002	MOTOR, 1/2 HP (M1, M2)
PCBKF324	PCB, CONTROL BOARD
20162906	PRIMARY LIMIT - WHITE (M3, M4)
0130F00596	SWITCH, HIGH LIMIT ULN
0130F00684	SWITCH, PRESSURE
10690402	SWITCH-INTERLOCK
0130F20392	TRANSDUCER
0130M00140	TRANSFORMER 120V TO 24V, 40VA
0163F00056	ULN Burner Assy (M1)
0163F00057	ULN Burner Assy (M3)
0163F00077	ULN Burner Assy (M2)
0163F00078	ULN Burner Assy (M4)
0130F00955	ULN IGNITER

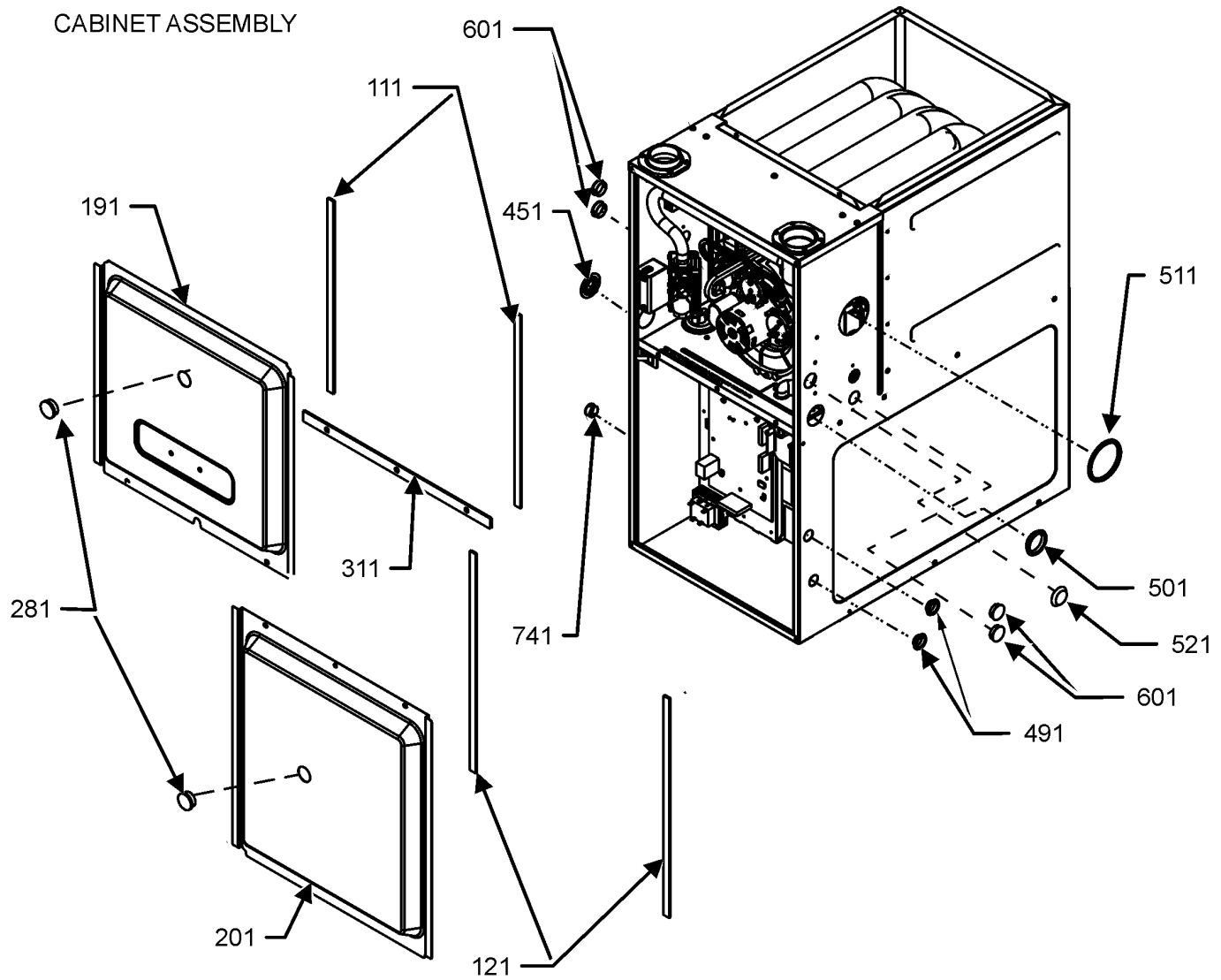
SPECIAL PARTS

0161F00086 NAMEPLATE, GOODMAN

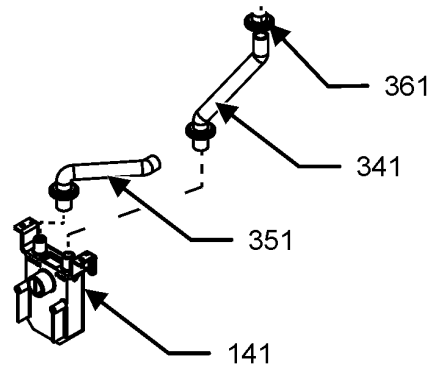
Expanded Model Nomenclature

M1 - GRVS960603BUAA
M2 - GRVS960603BUAB
M3 - GRVS960805CUAA
M4 - GRVS960805CUAB

CABINET ASSEMBLY



CABINET ASSEMBLY MAY
DIFFER FROM WHAT IS SHOWN



DRAIN TRAP ASSEMBLY

CABINET ASSEMBLY

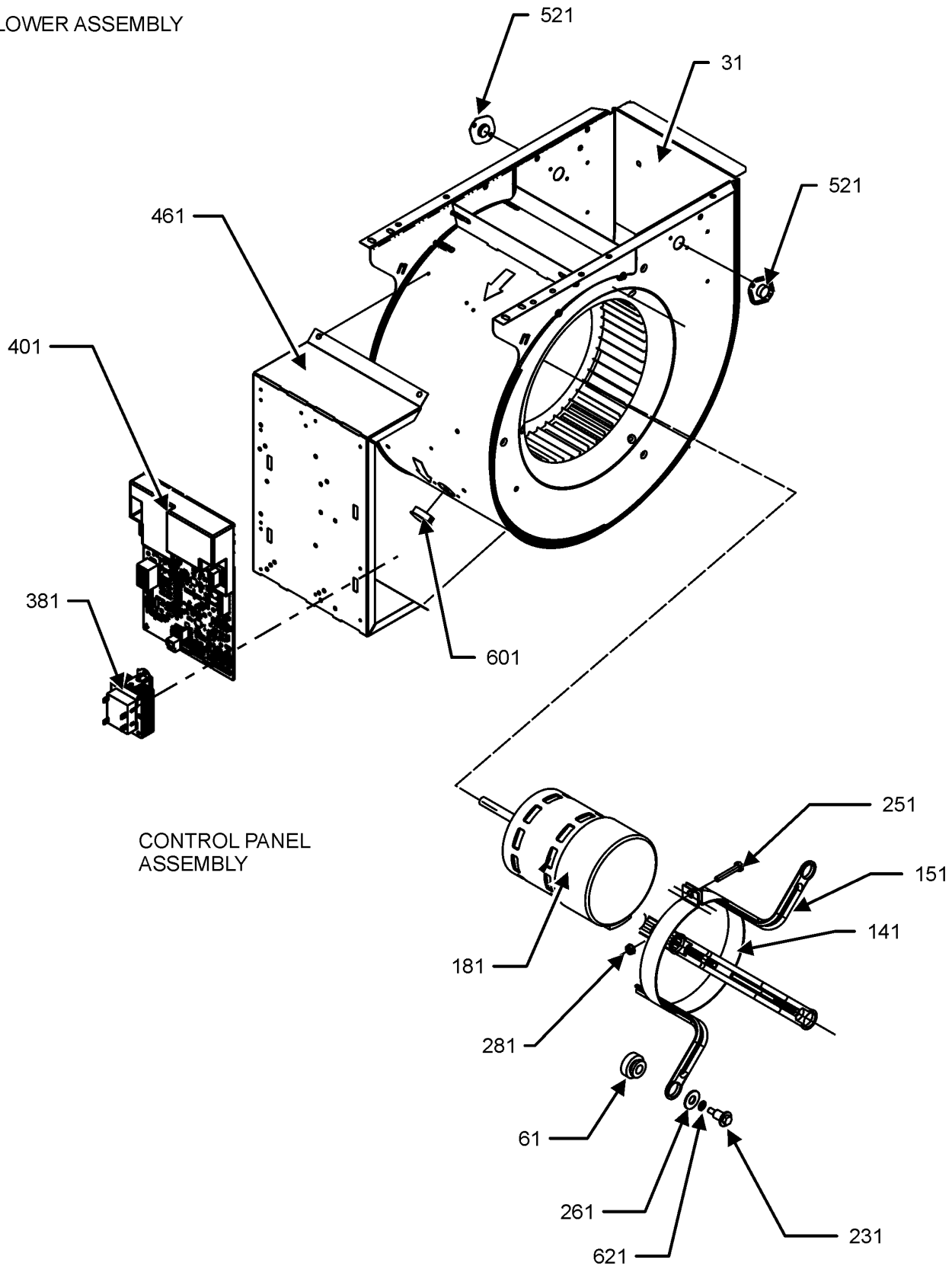
Ref. Part No:	Ref. Part No:	Description:	Description:
Image 1:			
111	0154F00024	GASKET (QTY 2)	
121	0154F00025	GASKET (QTY 2)	
141	0161F00046	DRAIN TRAP	
191	0121F00291DG	DOOR, ACCESS 17.5 PNT (M1, M2)	
191	0121F00292DG	DOOR, ACCESS 21 PNT (M3, M4)	
201	0121F00288DG	DOOR, BLOWER 17.5 PNT (M1, M2)	
201	0121F00289DG	DOOR, BLOWER 21 PNT (M3, M4)	
281	B1392139	VIEW PORT BUSHING-BLOWER DOOR (QTY 2)	
311	0154F00020	GASKET, DECK (M1, M2)	
311	0154F00021	GASKET, DECK (M3, M4)	
341	0164F00017	HOSE-ELBOW/TRAP	
351	0164F00024	HOSE, COVER/TRAP	
361	M0119206	CLAMP HOSE (QTY 3)	
451	M0501301	PIPE GROMMET	
491	M0570808	BUTTON PLUG (QTY 3)	
501	M0570806	BUTTON PLUG	
511	M0570807	BUTTON PLUG	
521	0161M00027	PLUG, HOLE	
601	B1392021	PLASTIC PLUG, 1" (2713-BLK) (QTY 4)	
741	B1392104	UNIVERSAL BUSHING UB 875	
NS	0130D00005	4 PIN CONNECTOR	
NS	0130D00004	6 PIN CONNECTOR	
NS	M0310345	BUTTON PLUG (QTY 2)	
NS	0163M00460	CLAMP-HOSE (QTY 2)	
NS	0270F20730	DRAIN KIT ASSY	
NS	0163M00319	HEX NUT-INSERT (QTY 3)	
NS	0161F00086	NAMEPLATE, GOODMAN	
NS	M0273904	RETAINER-SCREW (QTY 3)	
NS	M0209730	SCREW-DECORATIVE (QTY 3)	

Expanded Model Nomenclature

M1 - GRVS960603BUAA
M2 - GRVS960603BUAB
M3 - GRVS960805CUAA
M4 - GRVS960805CUAB

BLOWER ASSEMBLY

BLOWER ASSEMBLY



CONTROL PANEL
ASSEMBLY

BLOWER AND CONTROL PANEL ASSEMBLY MAY DIFFER FROM WHAT IS SHOWN

BLOWER ASSEMBLY

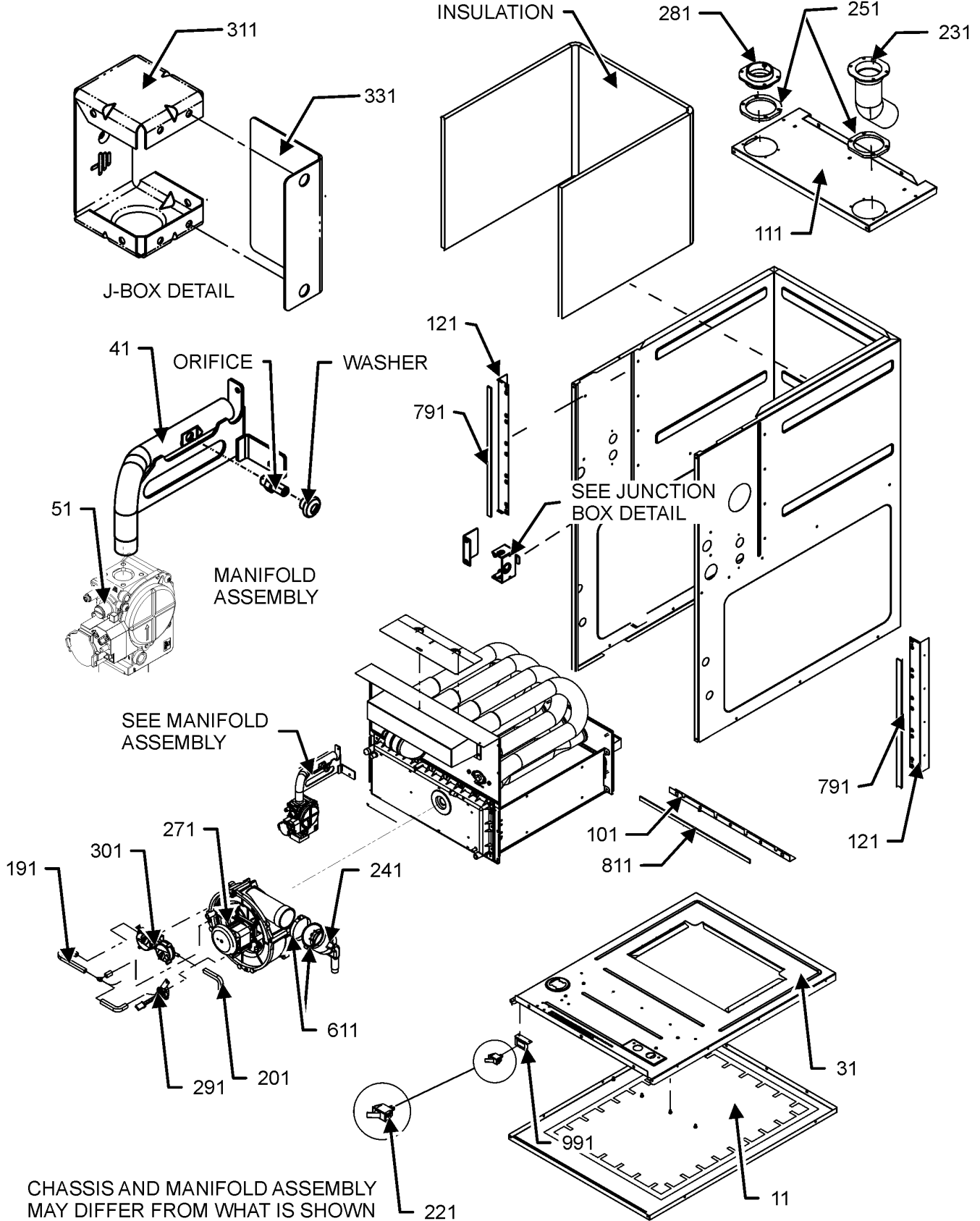
Ref. Part No:	No:	Description:	Ref. Part No:	No:	Description:
Image 1:					
31	0271F00507	MORRISON 11 X 10 BLOWER (M3, M4)			
31	0271F00506	MORRISON 11 X 8 BLOWER (M1, M2)			
61	A4002702	BLOWER MOTOR GROMMET (M3, M4)			
141	10441601	BAND-MTR MOUNT (M3, M4)			
141	0121M00038	MOUNT BAND, MOTOR (M1, M2)			
151	10441501	ARM-MTR MOUNT (M3, M4)			
151	0163F20002	MOTOR MOUNT ARM (M1, M2)			
181	0131M01011	MOTOR, 1 HP (M3, M4)			
181	0131M01002	MOTOR, 1/2 HP (M1, M2)			
231	0163F00028	SCREW (M3, M4)			
231	M0250565	SCREW-TC 1.25" (M1, M2)			
251	0163M00320	HEX HEAD ALL THREAD TAP BOLT (M3, M4)			
251	B1393323	SCREW,MACH HWH 1/4-20X1 1/2 BZ (M1, M2)			
261	B1392918	WASHER, FLAT 1/4 ID X 1 OD (M1, M2)			
261	M0274008	WASHER-FLAT (M3, M4)			
281	M0282015	KEPS NUT (M3, M4)			
281	B1393800	LOCKNUT, NYLON, INSERT 1/4,20 (M1, M2)			
381	0130M00140	TRANSFORMER 120V TO 24V, 40VA			
401	PCBKF324	PCB, CONTROL BOARD			
461	0121F00802	MOUNTING PANEL, CONTROLS			
521	0130F00038	LIMIT, AUX (QTY 2)			
601	B1392021	PLASTIC PLUG, 1" (2713-BLK) (QTY 4)			
621	B1392820	WASHER, SPLIT LOCK 1/4 BZ (M3, M4)			
NS	SHARED DATA	Av ailable thru CoolCloud HVAC app.			
NS	0259F00040	HARNESS, CONTROL			
NS	0259F00041	HARNESS-POWER			
NS	0259F00024	WIRE HARNESS-BLOWER			

Expanded Model Nomenclature

M1 - GRVS960603BUAA
M2 - GRVS960603BUAB
M3 - GRVS960805CUAA
M4 - GRVS960805CUAB

CHASSIS AND MANIFOLD ASSEMBLY

CHASSIS AND MANIFOLD ASSEMBLY



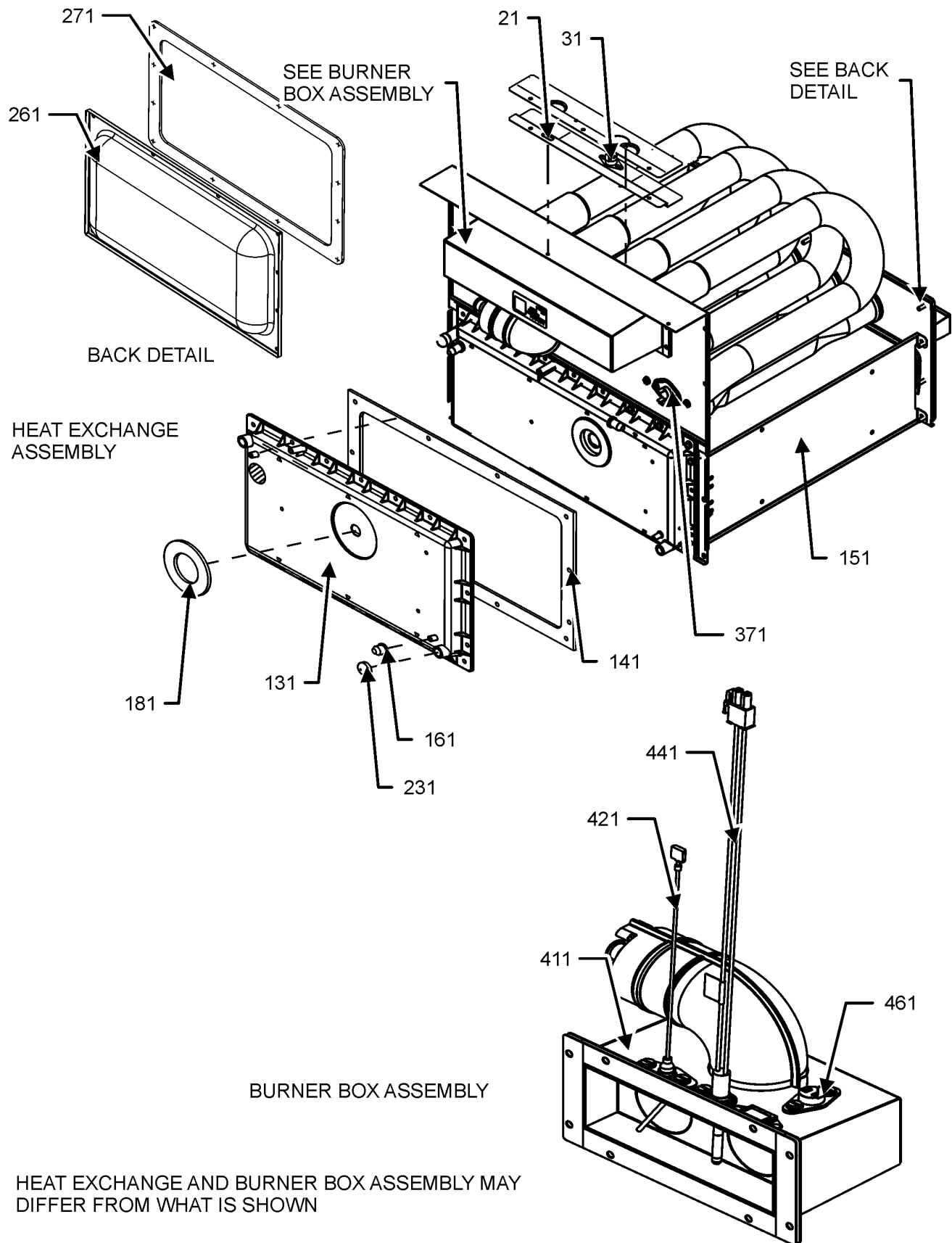
CHASSIS AND MANIFOLD ASSEMBLY

Ref. Part No:	Ref. Part No:	Description:	Description:
Image 1:			
11	0121F00530DG	BASEPAN, 17.5 (M1, M2)	
11	0121F00531DG	BASEPAN, 21 PNT (M3, M4)	
31	0121F00766	DECK- BLOWER 17.5" (M1, M2)	
31	0121F00767	DECK- BLOWER 21" (M3, M4)	
41	0263F00008	ULN MANIFOLD ASSY (M1)	
41	0263F00009	ULN MANIFOLD ASSY (M3)	
41	0263F00012	ULN MANIFOLD ASSY (M2)	
41	0263F00013	ULN MANIFOLD ASSY (M4)	
51	0151M00108	GAS VALVE	
101	0121F00314	ANGLE, DECK (M1, M2)	
101	0121F00315	ANGLE, DECK (M3, M4)	
111	0121F20176DG	PNL, FURNACE TOP (M1, M2)	
111	0121F20177DG	PNL, FURNACE TOP (M3, M4)	
121	0121F00313	ANGLE, SIDE (QTY 2)	
191	0164M20000	HOSE- PRESSURE	
201	0164M20004	HOSE- PRESSURE	
221	10690402	SWITCH-INTERLOCK	
231	0164F20005	FLUE PIPE	
241	0164F00029	ELBOW-FLUE, UPFLOW	
251	0154F00041	FRESH AIR GASKET (QTY 2)	
271	0171M00009	MOTOR, ID BLOWER	
281	0161F00037	COUPLING	
291	0130F20392	TRANSDUCER	
301	0130F00684	SWITCH, PRESSURE	
311	0121F20060	BOX, JUNCTION 90%	
331	0121F20061	BOX, JUNCTION 80%	
611	0163M00460	CLAMP-HOSE (QTY 2)	
791	0154F00015	GASKET (QTY 2)	
811	0154F00014	GASKET (M1, M2)	
811	0154F00016	GASKET (M3, M4)	
991	0121F00389	BRACKET, DOOR SWITCH	
NS	0154F00020	GASKET, DECK (M1, M2)	
NS	0154F00021	GASKET, DECK (M3, M4)	
NS	0259F00040	HARNESS, CONTROL	
NS	0259F00041	HARNESS-POWER	
NS	0160F00015	INSULATION, HT EXCHANGER 17.5" (M1, M2)	
NS	0160F00016	INSULATION, HT EXCHANGER 21" (M3, M4)	
NS	M0326804	PLUG-TUBE	
NS	0163F00039	ULN ORIFICE (M1, M2)	
NS	0163F00040	ULN ORIFICE (M3, M4)	
NS	0164F00019	ULN WASHER	
NS	0159F20039	WIRE HARNESS, VS 96% ULN UPFLO (M1, M2)	
NS	0259F00277	WIRE HARNESS-BAFFLE LIMIT	
NS	0259F00024	WIRE HARNESS-BLOWER	

Expanded Model Nomenclature

M1 - GRVS960603BUAA
M2 - GRVS960603BUAB
M3 - GRVS960805CUAA
M4 - GRVS960805CUAB

HEAT EXCHANGE ASSEMBLY



HEAT EXCHANGE AND BURNER BOX ASSEMBLY MAY DIFFER FROM WHAT IS SHOWN

HEAT EXCHANGE ASSEMBLY

Ref. Part No:	Part No:	Description:	Ref. Part No:	Part No:	Description:
Image 1:					
21	0121F00704	BAFFLE, AIR ULN			
31	0130F00596	SWITCH, HIGH LIMIT ULN			
131	0161F00073	COVER, FRONT (M1, M2)			
131	0161F00074	COVER, FRONT (M3, M4)			
141	0154F00026	GASKET FRONT COVER (M1, M2)			
141	0154F00030	GASKET FRONT COVER (M3, M4)			
151	0257F00468	HEAT EXCHANGER ASSY (M2)			
151	0257F00469	HEAT EXCHANGER ASSY (M4)			
151	0257F20084	HEAT EXCHANGER ASSY (M1)			
151	0257F20085	HEAT EXCHANGER ASSY (M3)			
161	M0326804	TUBE PLUG			
181	0154F00066	GASKET, ID ORIFICE ULN			
231	A1781105	CAP-VINYL .500			
261	0121F00317	COVER, REAR (M1, M2)			
261	0121F00318	COVER, REAR (M3, M4)			
271	0154F00046	GASKET, REAR CVR (M1, M2)			
271	0154F00047	GASKET, REAR CVR (M3, M4)			
371	0130F00071	LIMIT SWITCH (M1, M2)			
371	20162906	PRIMARY LIMIT - WHITE (M3, M4)			
411	0163F00056	ULN Burner Assy (M1)			
411	0163F00057	ULN Burner Assy (M3)			
411	0163F00077	ULN Burner Assy (M2)			
411	0163F00078	ULN Burner Assy (M4)			
421	0130F00762	FLAME SENSOR			
441	0130F00955	ULN IGNITER			
461	0130F00596	SWITCH, HIGH LIMIT ULN			
NS	0154F00041	GASKET FRESH AIR (QTY 2)			
NS	0154F00106	GASKET, BRNR FRONT (M1, M2)			
NS	0154F00107	GASKET, BRNR FRONT (M3, M4)			
NS	0154F00069	GASKET, LIMIT ULN			
NS	0154F00068	GASKET, ULN FLAME SENSOR			
NS	0154F00067	GASKET, ULN IGNITOR			
NS	0121F00583	INSULATION, RETAINER (M1, M2)			
NS	0121F00584	INSULATION, RETAINER (M3, M4)			
NS	0121F20013	PLATE, HEAT SHIELD			
NS	0121F00355	SHIELD, COIL (QTY 2)			
NS	0259F00277	WIRE HARNESS-BAFFLE LIMIT			

Expanded Model Nomenclature

- | |
|---------------------|
| M1 - GRVS960603BUAA |
| M2 - GRVS960603BUAB |
| M3 - GRVS960805CUAA |
| M4 - GRVS960805CUAB |