

GRVT 96% ECM UF Furnace

GRVT960403BNAA
GRVT960403BNAB
GRVT960603BNAA
GRVT960603BNAB
GRVT960803BNAA
GRVT960804CNAA
GRVT960804CNAB
GRVT961005CNAA
GRVT961005DNAA
GRVT961005DNAB
GRVT961205DNAA



This manual is to be used by qualified technicians only.

This manual replaces RP-G2366.

© 2025 Daikin Comfort Technologies Manufacturing, Inc. ♦ 19001 Kermier Rd. ♦ Waller, TX 77484

Important Information

Index

Functional Parts List	3
Illustration and Parts	4 - 11

Views shown are for parts illustrations only, not servicing procedures.

Text Codes:

AR - As Required

NA - Not Available

NS - Not Shown

00000000 - See Note

QTY - Quantity Example (QTY 3) (If Quantity not shown, Quantity = 1)

M - Model Example (M1) (If M Code not shown, then part is used on all Models)

Expanded Model Nomenclature:

Example
M1 - Model#1
M2 - Model#2
M3 - Model#3

Daikin Comfort Technologies Manufacturing , Inc. is not responsible for personal injury or property damage resulting from improper service. Review all service information before beginning repairs.

Warranty service must be performed by an authorized technician, using authorized factory parts. If service is required after the warranty expires, Daikin Comfort Technologies Manufacturing , Inc. also recommends contacting an authorized technician and using authorized factory parts.

Daikin Comfort Technologies Manufacturing , Inc. reserves the right to discontinue, or change at any time, specifications or designs without notice or without incurring obligations.

For assistance within the U.S.A. contact:
Homeowner Support
Daikin Comfort Technologies Manufacturing , Inc.
19001 Kermier Road
Waller, Texas 77484
877-254-4729-Telephone
713-863-2382-Facsimile

For assistance outside the U.S.A. contact:
International Division
Daikin Comfort Technologies Manufacturing , Inc.
19001 Kermier Road
Waller, Texas 77484
713-861-2500-Telephone
713-863-2382-Facsimile

Functional Parts

Part No: **Description:**

0130F00038	AUX LIMIT (QTY 2)
SHARED DATA	Available thru CoolCloud HVAC app.
0163F00017	BECKETT BURNER (QTY 2)
0271F00462	BLOWER HOUSING ASSY (M1, M2)
0130F00010	FLAME SENSOR
0151M00027	GAS VALVE
0257F20139	HEAT EXCHANGER ASSY (M11)
0257F20134	HEAT EXCHANGER ASSY (M8)
0257F20133	HEAT EXCHANGER ASSY (M6, M7)
0257F20131	HEAT EXCHANGER ASSY (M3, M4)
0257F20137	HEAT EXCHANGER ASSY (M5)
0257F20136	HEAT EXCHANGER ASSY (M1, M2)
0257F20138	HEAT EXCHANGER ASSY (M9, M10)
0130F00008	IGNITOR-SINI 17 SEC
0130M00141	INDUCTOR, 5.9 AMPS (M6, M7, M8, M9, M10, M11)
20162906	LIMIT, PRIMARY (M3, M4, M8)
20162904	LIMIT, PRIMARY (M1, M2, M5, M6, M7)
0130F00036	LIMIT, PRIMARY (M9, M10, M11)
0130F00123	LIMIT, RESET MAN (M5, M6, M7)
10123527	LIMIT-RESET MAN-BROWN (M9, M10, M11)
10123534	LIMIT-RESET MAN-ORANGE (M8)
10123539	LIMIT-RESET MAN-ORANGE (M1, M2, M3, M4)
0271F00507	MORRISON 11 X 10 BLOWER (M6, M7, M8)
0271F00508	MORRISON 11 X 11 BLOWER (M9, M10, M11)
0271F00506	MORRISON 11 X 8 BLOWER (M3, M4, M5)
0131M01011	MOTOR, 1 HP (M8, M9, M10, M11)
0131M01002	MOTOR, 1/2 HP (M1, M2, M3, M4, M5)
0131M01003	MOTOR, 3/4 HP (M6, M7)
0171M00002	MOTOR-ID, BLOWER
PCBKF321	PCB, CONTROL BOARD
0130F00436	PRESSURE SWITCH (M5, M6, M7)
0130F00429	PRESSURE SWITCH (M3, M4, M5, M6, M7, M8, M9, M10, M11)
0130F00485	PRESSURE SWITCH (M1, M2)
0130F00434	PRESSURE SWITCH (M8)
0130F00443	PRESSURE SWITCH (M9, M10, M11)
0130F00433	PRESSURE SWITCH (M1, M2, M3, M4)
10690402	SWITCH-INTERLOCK
0130M00140	TRANSFORMER 120V TO 24V, 40VA
0150M00043	WHEEL, BLOWER(10X8) (M1, M2)

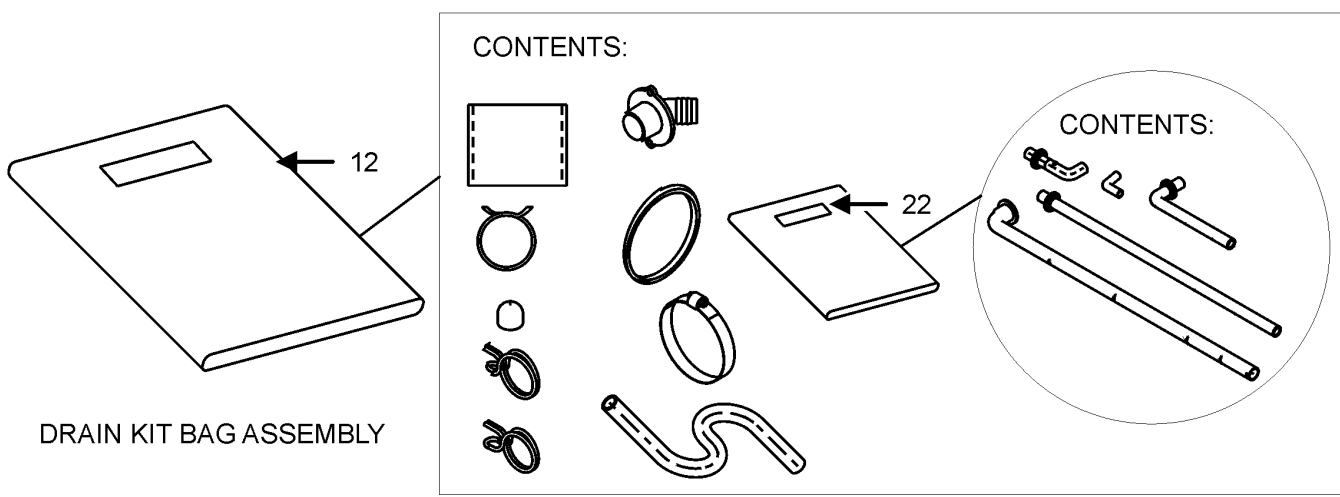
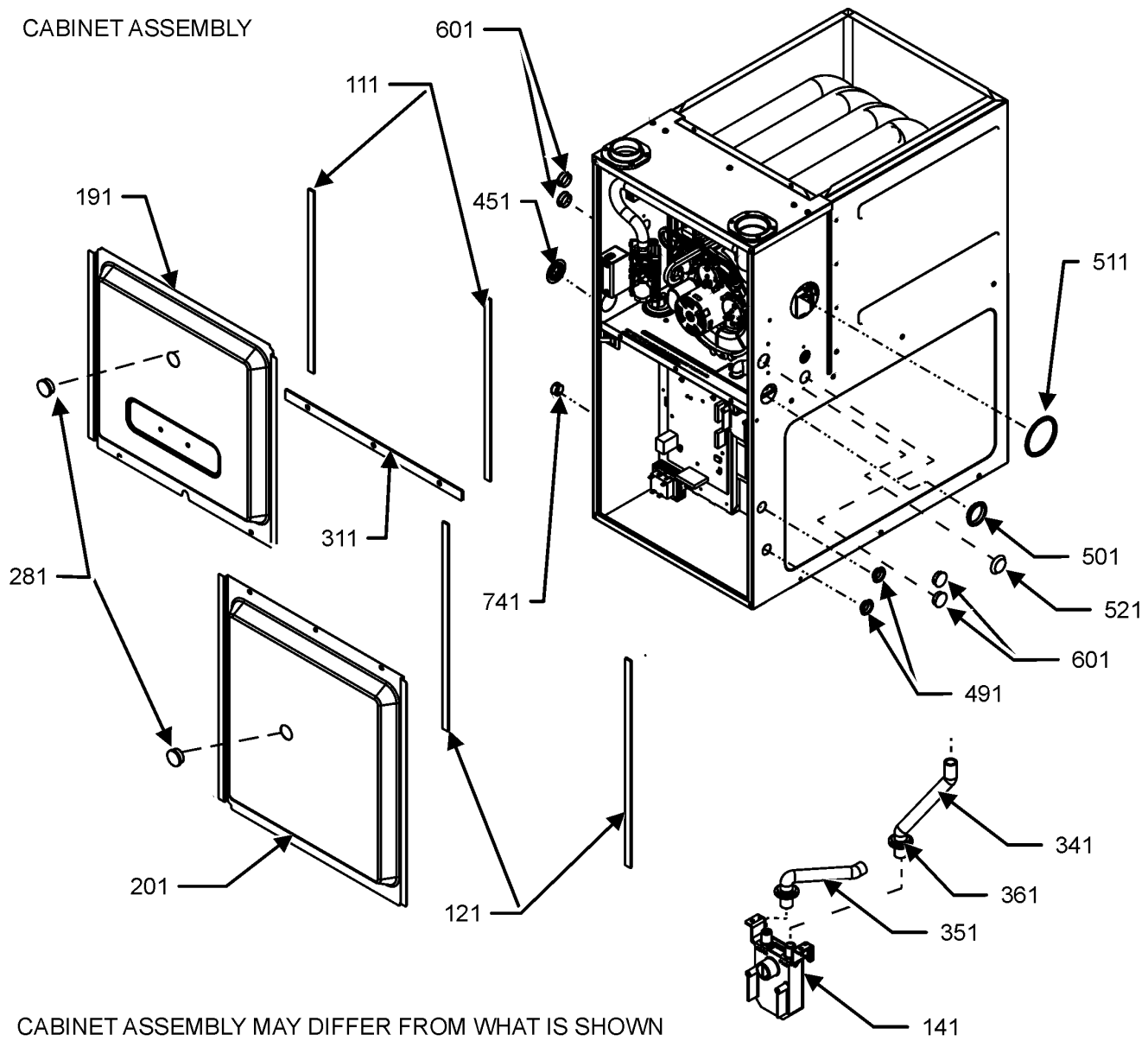
Expanded Model Nomenclature

M1 - GRVT960403BNAA
M2 - GRVT960403BNAB
M3 - GRVT960603BNAA
M4 - GRVT960603BNAB
M5 - GRVT960803BNAA
M6 - GRVT960804CNAA
M7 - GRVT960804CNAB
M8 - GRVT961005CNAA
M9 - GRVT961005DNAA
M10 - GRVT961005DNAB
M11 - GRVT961205DNAA

SPECIAL PARTS

0161F00086	NAMEPLATE, GOODMAN
------------	--------------------

Cabinet Assembly



Cabinet Assembly

Ref. Part No:	Part No:	Description:	Ref. Part No:	Part No:	Description:
---------------	----------	--------------	---------------	----------	--------------

Image 1:

111	0154F00024	GASKET (QTY 2)
121	0154F00025	GASKET (QTY 2)
141	0161F00046	DRAIN TRAP
191	0121F00291DG	DOOR, ACCESS 17.5 PNT (M1, M2, M3, M4, M5)
191	0121F00292DG	DOOR, ACCESS 21 PNT (M6, M7, M8)
191	0121F00293DG	DOOR, ACCESS 24.5 PNT (M9, M10, M11)
201	0121F00288DG	DOOR, BLOWER 17.5 PNT (M1, M2, M3, M4, M5)
201	0121F00289DG	DOOR, BLOWER 21 PNT (M6, M7, M8)
201	0121F00290DG	DOOR, BLOWER 24.5 PNT (M9, M10, M11)
281	B1392139	VIEW PORT BUSHING-BLOWER DOOR (QTY 2)
311	0154F00020	GASKET, DECK (M1, M2, M3, M4, M5)
311	0154F00021	GASKET, DECK (M6, M7, M8)
311	0154F00022	GASKET, DECK (M9, M10, M11)
341	0164F00017	HOSE-ELBOW/TRAP
351	0164F00006	HOSE, COVER/TRAP (M11)
351	0164F00024	HOSE, COVER/TRAP (M1, M2, M3, M4, M5, M6, M7, M8, M9, M10)
361	M0119206	CLAMP HOSE (QTY 5)
451	M0501301	PIPE GROMMET
491	M0570808	BUTTON PLUG (QTY 3)
501	M0570806	BUTTON PLUG
511	M0570807	BUTTON PLUG
521	0161M00027	PLUG, HOLE
601	B1392021	PLASTIC PLUG, 1" (2713-BLK) (QTY 4)
741	B1392104	UNIVERSAL BUSHING UB 875
NS	M0310345	BUTTON PLUG (QTY 2)
NS	0163M00319	HEX-NUT INSERT (QTY 3)
NS	0161F00086	NAMEPLATE, GOODMAN
NS	M0273904	RETAINER-SCREW (QTY 3)
NS	M0209730	SCREW-DECORATIVE (QTY 3)

Image 2:

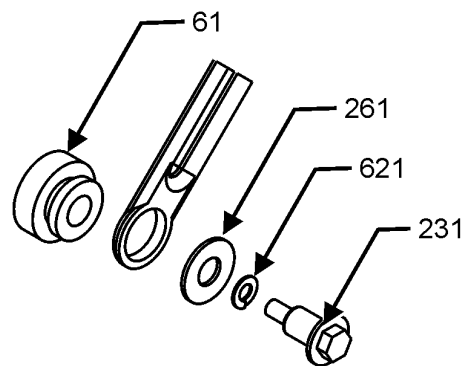
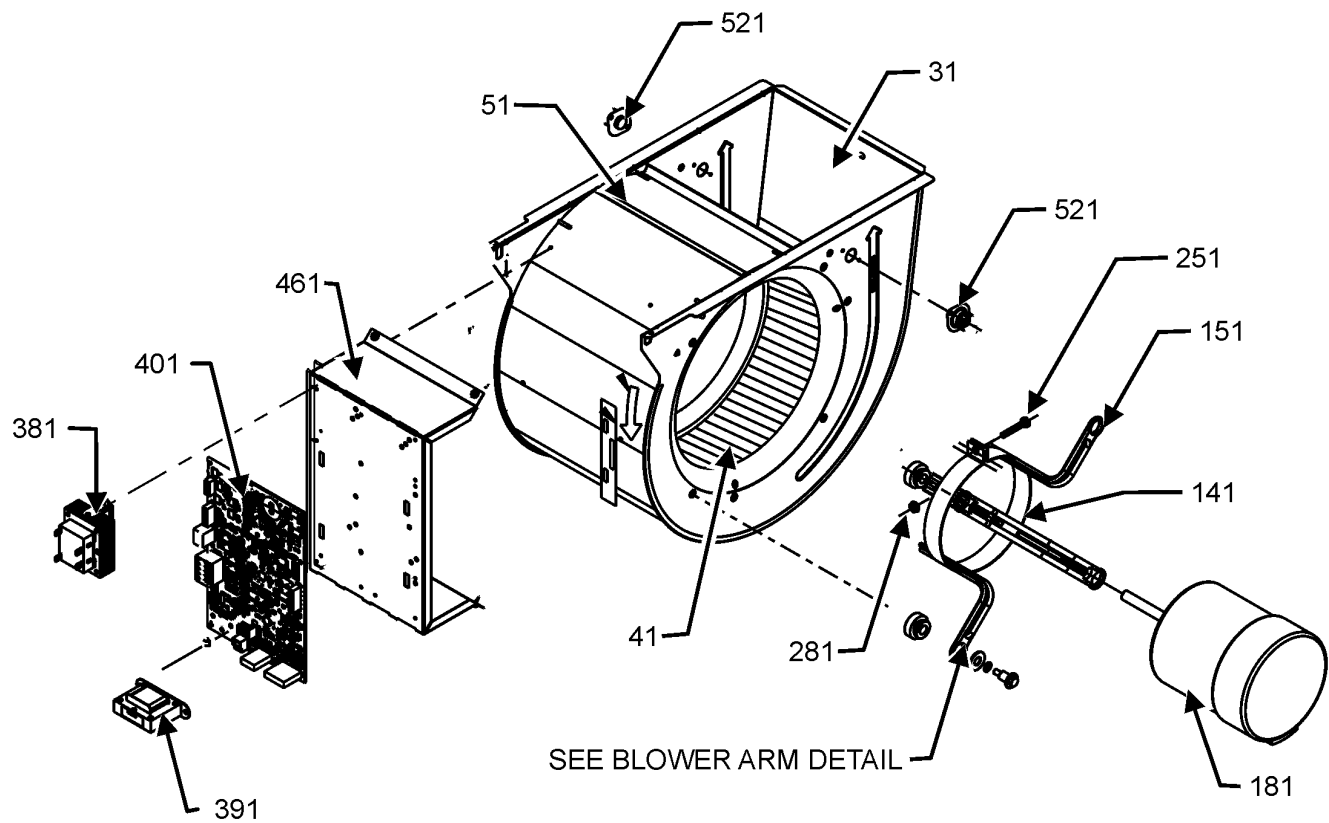
12	0270F20409	DRAIN KIT ASSY
22	0270F20409	DRAIN KIT ASSY

Expanded Model Nomenclature

- | |
|----------------------|
| M1 - GRVT960403BNAA |
| M2 - GRVT960403BNAB |
| M3 - GRVT960603BNAA |
| M4 - GRVT960603BNAB |
| M5 - GRVT960803BNAA |
| M6 - GRVT960804CNAA |
| M7 - GRVT960804CNAB |
| M8 - GRVT961005CNAA |
| M9 - GRVT961005DNAA |
| M10 - GRVT961005DNAB |
| M11 - GRVT961205DNAA |

Blower Assembly

BLOWER ASSEMBLY



BLOWER ARM DETAIL

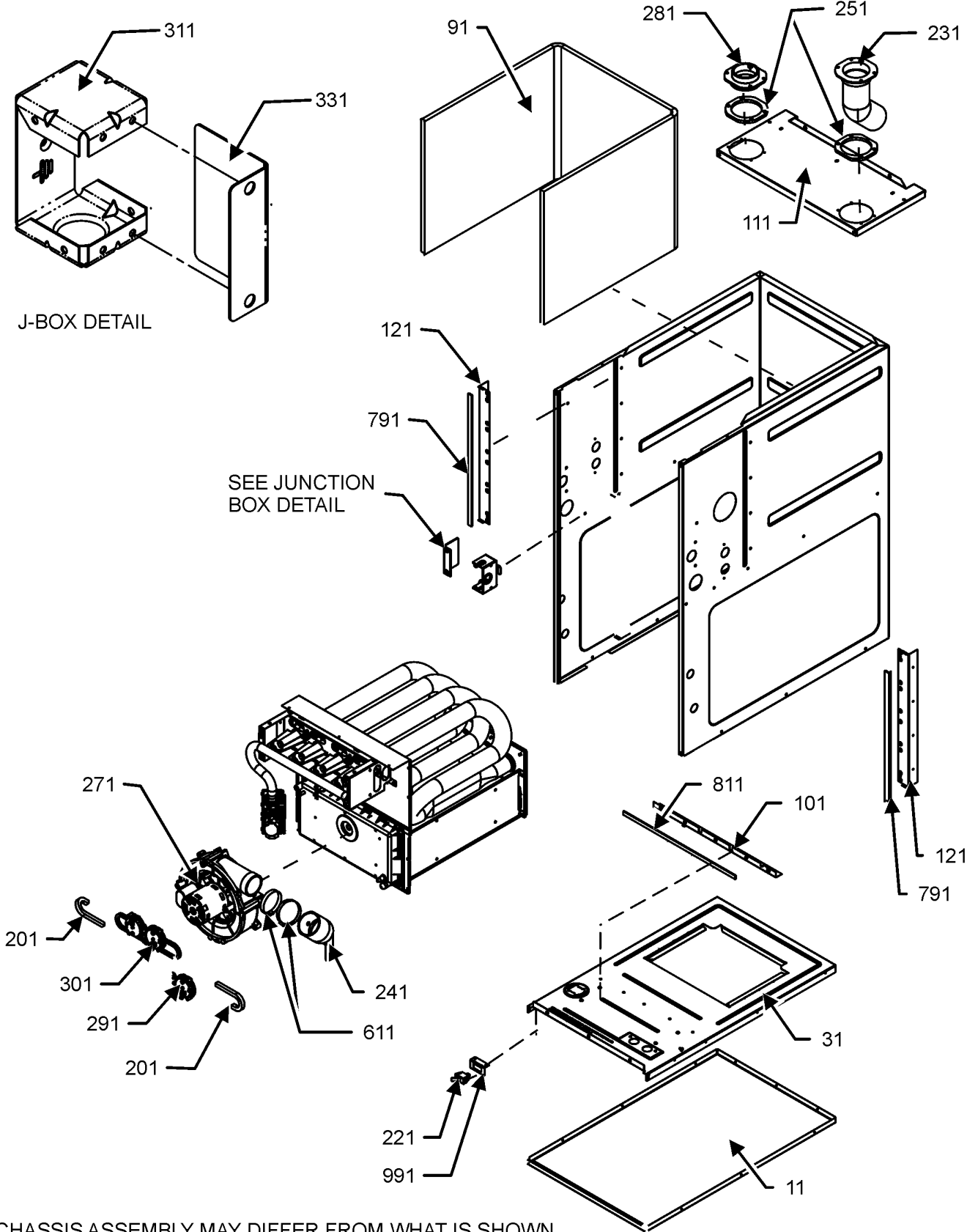
BLOWER ASSEMBLY MAY DIFFER FROM WHAT IS SHOWN

Blower Assembly

Ref. Part No: No:	Description:	Ref. Part No: No:	Description:
Image 1:		Expanded Model Nomenclature	
31	0271F00462	BLOWER HOUSING ASSY (M1, M2)	M1 - GRVT960403BNAA
31	0271F00507	MORRISON 11 X 10 BLOWER (M6, M7, M8)	M2 - GRVT960403BNAB
31	0271F00508	MORRISON 11 X 11 BLOWER (M9, M10, M11)	M3 - GRVT960603BNAA
31	0271F00506	MORRISON 11 X 8 BLOWER (M3, M4, M5)	M4 - GRVT960603BNAB
41	0150M00043	WHEEL, BLOWER(10X8) (M1, M2)	M5 - GRVT960803BNAA
51	764740	BLWR BLK-OFF,10X8 (M1, M2)	M6 - GRVT960804CNA A
61	A4002702	BLOWER MOTOR GROMMET (M6, M7, M8, M9, M10, M11)	M7 - GRVT960804CNAB
141	0121M00038	MOTOR MOUNT BAND (M1, M2, M3, M4, M5)	M8 - GRVT961005CNA A
141	10441601	MOTOR MOUNT BAND (M6, M7, M8, M9, M10, M11)	M9 - GRVT961005DNA A
151	10441501	MOTOR MOUNT ARM (M6, M7, M8, M9, M10, M11)	M10 - GRVT961005DNA B
151	B1376857	MOTOR MOUNT ARM (M1, M2, M3, M4, M5)	M11 - GRVT961205DNA A
181	0131M01011	MOTOR, 1 HP (M8, M9, M10, M11)	
181	0131M01002	MOTOR, 1/2 HP (M1, M2, M3, M4, M5)	
181	0131M01003	MOTOR, 3/4 HP (M6, M7)	
231	0163F00028	SCREW (M6, M7, M8, M9, M10, M11)	
231	M0250565	TC SCREW 1.25" (M1, M2, M3, M4, M5)	
251	0163M00320	HEX HEAD ALL THREAD TAP BOLT (M8, M9, M10, M11)	
251	B1393323	MACHINE SCREW HWH 1/4-20 X 1-1/2 BZ (M1, M2, M3, M4, M5, M6, M7)	
261	B1392918	WASHER, FLAT 1/4 ID X 1 OD (M1, M2, M3, M4, M5)	
261	M0274008	WASHER-FLAT (M6, M7, M8, M9, M10, M11)	
281	M0282015	KEPS NUT (M8, M9, M10, M11)	
281	B1393800	LOCKNUT, NYLON, INSERT 1/4, 20 (M1, M2, M3, M4, M5, M6, M7)	
381	0130M00140	TRANSFORMER 120V TO 24V, 40VA	
391	0130M00141	INDUCTOR, 5.9 AMPS (M6, M7, M8, M9, M10, M11)	
401	PCBKF321	PCB, CONTROL BOARD	
461	0121F00802	MOUNTING PLATE-CONTROLS	
521	0130F00038	AUX LIMIT (QTY 2)	
621	B1392820	WASHER, SPLIT LOCK 1/4 BZ (M6, M7, M8, M9, M10, M11)	
NS	SHARED DATA	Available thru CoolCloud HVAC app.	
NS	0259F00040	HARNESS, CONTROL	
NS	0259F00041	HARNESS-POWER	
NS	B1392021	PLASTIC PLUG, 1" (2713-BLK) (QTY 4)	
NS	0159F20028	WIRE HARNESS (M6, M7, M8, M9, M10, M11)	
NS	0159F20030	WIRE HARNESS (M3, M4, M5)	
NS	0159F20031	WIRE HARNESS (M1, M2)	
NS	0259F00024	WIRE HARNESS-BLOWER	

Chassis Assembly

CHASSIS ASSEMBLY



CHASSIS ASSEMBLY MAY DIFFER FROM WHAT IS SHOWN

Chassis Assembly

Ref. Part No:	No:	Description:	Ref. Part No:	No:	Description:
Image 1:			Expanded Model Nomenclature		
11	0121F00530DG	BASEPAN, 17.5 PNT (M1, M2, M3, M4, M5)	M1	-	GRVT960403BNAA
11	0121F00531DG	BASEPAN, 21 PNT (M6, M7, M8)	M2	-	GRVT960403BNAB
11	0121F00532DG	BASEPAN, 24.5 PNT (M9, M10, M11)	M3	-	GRVT960603BNAA
31	0121F00766	DECK- BLOWER 17.5" (M1, M2, M3, M4, M5)	M4	-	GRVT960603BNAB
31	0121F00767	DECK- BLOWER 21" (M6, M7, M8)	M5	-	GRVT960803BNAA
31	0121F00768	DECK- BLOWER 24.5" (M9, M10, M11)	M6	-	GRVT960804CNA A
91	0160F00015	INSULATION, HT EXCHANGER 17.5" (M1, M2, M3, M4, M5)	M7	-	GRVT960804CNAB
91	0160F00016	INSULATION, HT EXCHANGER 21" (M6, M7, M8)	M8	-	GRVT961005CNA A
91	0160F00017	INSULATION, HT EXCHANGER 24.5" (M9, M10, M11)	M9	-	GRVT961005DNA A
101	0121F00314	ANGLE, DECK (M1, M2, M3, M4, M5)	M10	-	GRVT961005DNA B
101	0121F00315	ANGLE, DECK (M6, M7, M8)	M11	-	GRVT961205DNA A
101	0121F00316	ANGLE, DECK (M9, M10, M11)			
111	0121F00279DG	PAINTED TOP, FURNACE 17.5 (M1, M2, M3, M4, M5)			
111	0121F00280DG	PAINTED TOP, FURNACE 21 (M6, M7, M8)			
111	0121F00281DG	PAINTED TOP, FURNACE 24.5 (M9, M10, M11)			
121	0121F00313	ANGLE, SIDE (QTY 2)			
201	0164M20000	HOSE, PRESSURE (QTY 2)			
221	10690402	SWITCH-INTERLOCK			
231	0164F00002	FLUE PIPE W/BEND			
241	0164F00029	ELBOW-FLUE, UPFLOW			
251	0154F00041	FRESH AIR GASKET (QTY 2)			
271	0171M00002	MOTOR-ID, BLOWER			
281	0161F00037	COUPLING			
291	0130F00429	PRESSURE SWITCH (M3, M4, M5, M6, M7, M8, M9, M10, M11)			
291	0130F00485	PRESSURE SWITCH (M1, M2)			
301	0130F00433	PRESSURE SWITCH (M1, M2, M3, M4)			
301	0130F00434	PRESSURE SWITCH (M8)			
301	0130F00436	PRESSURE SWITCH (M5, M6, M7)			
301	0130F00443	PRESSURE SWITCH (M9, M10, M11)			
311	0121F20061	BOX, JUNCTION 80%			
331	0121F20060	BOX, JUNCTION 90%			
611	0163M00460	CLAMP HOSE (QTY 2)			
791	0154F00015	GASKET (QTY 2)			
811	0154F00014	GASKET (M1, M2, M3, M4, M5)			
811	0154F00016	GASKET (M6, M7, M8)			
811	20194607	GASKET (M9, M10, M11)			
991	0121F00389	BRACKET, DOOR SWITCH			
NS	M0326804	PLUG-TUBE			

Heat Exchange Assembly

Ref. Part No:	Ref. Part No:	Description:	Description:												
Image 1:															
11	0130F00008	IGNITOR-SINI 17 SEC	371 20162904	LIMIT, PRIMARY (M1, M2, M5, M6, M7)											
21	0151M00027	GAS VALVE	371 20162906	LIMIT, PRIMARY (M3, M4, M8)											
31	10716005	ORIFICE (QTY 2)	NS 0121F00415	AIR FURN BAFFLE											
41	0130F00010	FLAME SENSOR	NS 0121F00583	INSULATION, RETAINER (M1, M2, M3, M4, M5)											
51	0130F00123	LIMIT, RESET MAN (M5, M6, M7)	NS 0121F00584	INSULATION, RETAINER (M6, M7, M8)											
51	10123527	LIMIT-RESET MAN-BROWN (M9, M10, M11)	NS 0121F00585	INSULATION, RETAINER (M9, M10, M11)											
51	10123534	LIMIT-RESET MAN-ORANGE (M8)	NS 0121F20013	PLATE, HEAT SHIELD											
51	10123539	LIMIT-RESET MAN-ORANGE (M1, M2, M3, M4)	NS 0121F00355	SHIELD, COIL (QTY 2)											
61	0163F00007	MANIFOLD (M1, M2)	Expanded Model Nomenclature												
61	0163F00008	MANIFOLD (M3, M4)	<table border="1"> <tr><td>M1 - GRVT960403BNA A</td></tr> <tr><td>M2 - GRVT960403BNAB</td></tr> <tr><td>M3 - GRVT960603BNA A</td></tr> <tr><td>M4 - GRVT960603BNAB</td></tr> <tr><td>M5 - GRVT960803BNA A</td></tr> <tr><td>M6 - GRVT960804CNA A</td></tr> <tr><td>M7 - GRVT960804CNAB</td></tr> <tr><td>M8 - GRVT961005CNA A</td></tr> <tr><td>M9 - GRVT961005DNA A</td></tr> <tr><td>M10 - GRVT961005DNA B</td></tr> <tr><td>M11 - GRVT961205DNA A</td></tr> </table>		M1 - GRVT960403BNA A	M2 - GRVT960403BNAB	M3 - GRVT960603BNA A	M4 - GRVT960603BNAB	M5 - GRVT960803BNA A	M6 - GRVT960804CNA A	M7 - GRVT960804CNAB	M8 - GRVT961005CNA A	M9 - GRVT961005DNA A	M10 - GRVT961005DNA B	M11 - GRVT961205DNA A
M1 - GRVT960403BNA A															
M2 - GRVT960403BNAB															
M3 - GRVT960603BNA A															
M4 - GRVT960603BNAB															
M5 - GRVT960803BNA A															
M6 - GRVT960804CNA A															
M7 - GRVT960804CNAB															
M8 - GRVT961005CNA A															
M9 - GRVT961005DNA A															
M10 - GRVT961005DNA B															
M11 - GRVT961205DNA A															
61	0163F00009	MANIFOLD (M6, M7)													
61	0163F00010	MANIFOLD (M8, M9, M10)													
61	0163F00011	MANIFOLD (M11)													
61	0163F00014	MANIFOLD (M5)													
71	0163F00017	BECKETT BURNER (QTY 2)													
81	0121F00456	BRACKET-BURNER 2 (M1, M2)													
81	0121F00455	BRACKET-BURNER 3 (M3, M4)													
81	0121F00454	BRACKET-BURNER 4 (M5, M6, M7)													
81	0121F00453	BRACKET-BURNER 5 (M8, M9, M10)													
81	0121F00451	BRACKET-BURNER 6 (M11)													
111	0121F00469	ORIFICE BRACKET-BURNER 2 (M1, M2)													
111	0121F00468	ORIFICE BRACKET-BURNER 3 (M3, M4)													
111	0121F00467	ORIFICE BRACKET-BURNER 4 (M5, M6, M7)													
111	0121F00466	ORIFICE BRACKET-BURNER 5 (M8, M9, M10)													
111	0121F00465	ORIFICE BRACKET-BURNER 6 (M11)													
131	0161F00022	COVER, FRONT (M5)													
131	0161F00026	COVER, FRONT (M8)													
131	0161F00030	COVER, FRONT (M6, M7)													
131	0161F00053	COVER, FRONT (M1, M2)													
131	0161F00054	COVER, FRONT (M3, M4)													
131	0161F00063	COVER, FRONT (M11)													
131	0161F00084	COVER, FRONT (M9, M10)													
141	0154F00026	GASKET FRONT COVER (M1, M2, M3, M4, M5)													
141	0154F00030	GASKET FRONT COVER (M6, M7, M8)													
141	0154F00034	GASKET FRONT COVER (M9, M10, M11)													
151	0257F20131	HEAT EXCHANGER ASSY (M3, M4)													
151	0257F20133	HEAT EXCHANGER ASSY (M6, M7)													
151	0257F20134	HEAT EXCHANGER ASSY (M8)													
151	0257F20136	HEAT EXCHANGER ASSY (M1, M2)													
151	0257F20137	HEAT EXCHANGER ASSY (M5)													
151	0257F20138	HEAT EXCHANGER ASSY (M9, M10)													
151	0257F20139	HEAT EXCHANGER ASSY (M11)													
161	M0326804	TUBE PLUG													
171	0121F00539	SHEILD, BURNER (M1, M2)													
171	0121F00540	SHEILD, BURNER (M3, M4)													
171	0121F00541	SHEILD, BURNER (M5, M6, M7)													
171	0121F00542	SHEILD, BURNER (M8, M9, M10)													
171	0121F00543	SHEILD, BURNER (M11)													
181	0154F00043	GASKET ID BLOWER													
231	A1781105	CAP-VINYL .500													
261	0121F00317	COVER, REAR (M1, M2, M3, M4, M5)													
261	0121F00318	COVER, REAR (M6, M7, M8)													
261	0121F00319	COVER, REAR (M9, M10, M11)													
271	0154F00037	GASKET, REAR CVR (M1, M2, M3, M4, M5)													
271	0154F00038	GASKET, REAR CVR (M6, M7, M8)													
271	0154F00039	GASKET, REAR CVR (M9, M10, M11)													
371	0130F00036	LIMIT, PRIMARY (M9, M10, M11)													