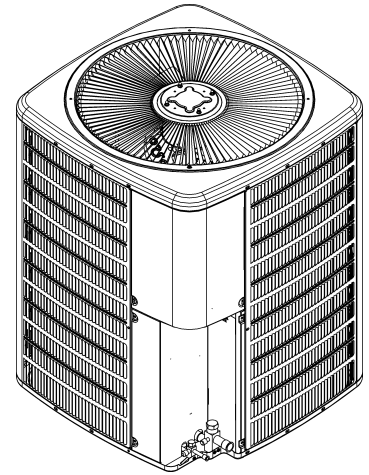


GSXB40**10 Remote Condensing Unit

GSXB401810AA
GSXB402410AA
GSXB403010AA
GSXB403610AA
GSXB404210AA
GSXB404810AA
GSXB406010AA



This manual is to be used by qualified technicians only.

© 2022 Goodman Manufacturing Company, L.P. ♦ 5151 San Felipe St, Suite 500 ♦ Houston, TX 77056

Important Information

Index

Functional Parts List	3
Illustration and Parts	4 - 9

Views shown are for parts illustrations only, not servicing procedures.

Text Codes:

AR - As Required

NA - Not Available

NS - Not Shown

00000000 - See Note

QTY - Quantity Example (QTY 3) (If Quantity not shown, Quantity = 1)

M - Model Example (M1) (If M Code not shown, then part is used on all Models)

Expanded Model Nomenclature:

Example M1 - Model#1 M2 - Model#2 M3 - Model#3

Goodman Manufacturing Company, L.P. is not responsible for personal injury or property damage resulting from improper service. Review all service information before beginning repairs.

Warranty service must be performed by an authorized technician, using authorized factory parts. If service is required after the warranty expires, Goodman Manufacturing Company, L.P. also recommends contacting an authorized technician and using authorized factory parts.

Goodman Manufacturing Company, L.P. reserves the right to discontinue, or change at any time, specifications or designs without notice or without incurring obligations.

For assistance within the U.S.A. contact:
Homeowner Support
Goodman Manufacturing Company, L.P.
19001 Kermier Road
Waller, Texas 77484
877-254-4729-Telephone
713-863-2382-Facsimile

For assistance outside the U.S.A. contact:
International Division
Goodman Manufacturing Company, L.P.
19001 Kermier Road
Waller, Texas 77484
713-861-2500-Telephone
713-863-2382-Facsimile

Functional Parts

Part

No: Description:

0151R00182	BALL VALVE 7/8" (M3, M4)
0151R00185	BASE VALVE 3/4" (M1, M2)
0151R00187	BASE VALVE 3/8"
0151R00186	BASE VALVE 7/8" (M5, M6, M7)
0150M00012	BLADE-FAN 20" CCW (M1)
CAP050350440CS	CAP, 5/35 MFD/440V/DUAL RD (M2, M3)
CAB050400440CT	CAP, 5/40 MFD/440V RD - BPRF (M4, M6, M7)
CAB050450440CT	CAP, 5/45 MFD/440V RD - BPRF (M5)
CAP050300440CS	CAP,5/30MFD/440V/DUAL RD (M1)
0130R00116	CAPACITOR HARD START (M1)
ZPSS51K7EPFV130	COMP 49000,208/230/60/1 (M7)
ZP24K7EPFV130	COMP, 24000, 208/230/60/1 (M3)
50N3829V-ZAKM	COMPRESSOR (M1)
ZP20K7EPFV130	COMPRESSOR, 2 TON (M2)
ZP29K7EPFV130	COMPRESSOR, COPELAND (M4)
ZP34K7EPFV130	COMPRESSOR, COPELAND (M5)
ZP40K7EPFV130	COMPRESSOR, COPELAND (M6)
CONT1P030024V	CONT, 1 POLE, 30 AMP, 24 VAC (M1, M2, M3, M4, M5, M6)
CONT2P040024V	CONT, 2 POLE, 40 AMP, 24 VAC (M7)
0130M00106	DISC TERM CRNKCS HTR SW (M5, M6, M7)
0130M00349	DISC THERMOSTAT (M2, M3, M4, M5, M6, M7)
0150M00008	FAN BLADE, 22" TNT2203-25 (M2)
0150M00054	FAN BLADE, 26" (M3, M4, M5, M6, M7)
0163R00007	HEATER CRANKCASE 230V 40W (M5, M6, M7)
0131M00807	MOTOR, 1/4HP,1SP,8PL,AL (M5, M6)
0131M00753	MOTOR, 1/6HP, 1SP, 8PL, AL (M2, M3, M4)
0131M00969	MOTOR, 1/8HP, 8PL, PSC (M1)
0131M01012	MOTOR, ECM (M7)
0130M00740	PRE-WIRED RELAY (M1)
0130M00089	SW-CUTOUT HI PRESS (M1)

SPECIAL PARTS

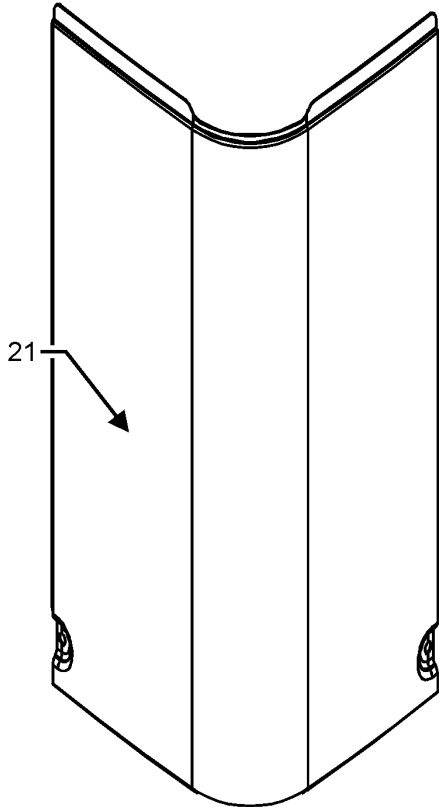
0161R00088	CAP GRILL (M7)
0161R00092	NAMEPLATE, GOODMAN

Expanded Model Nomenclature

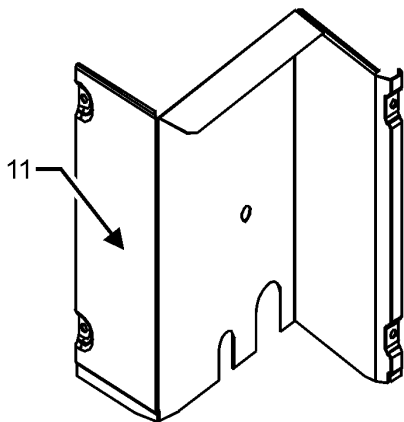
M1 - GSXB401810AA
M2 - GSXB402410AA
M3 - GSXB403010AA
M4 - GSXB403610AA
M5 - GSXB404210AA
M6 - GSXB404810AA
M7 - GSXB406010AA

Control Panel Assembly

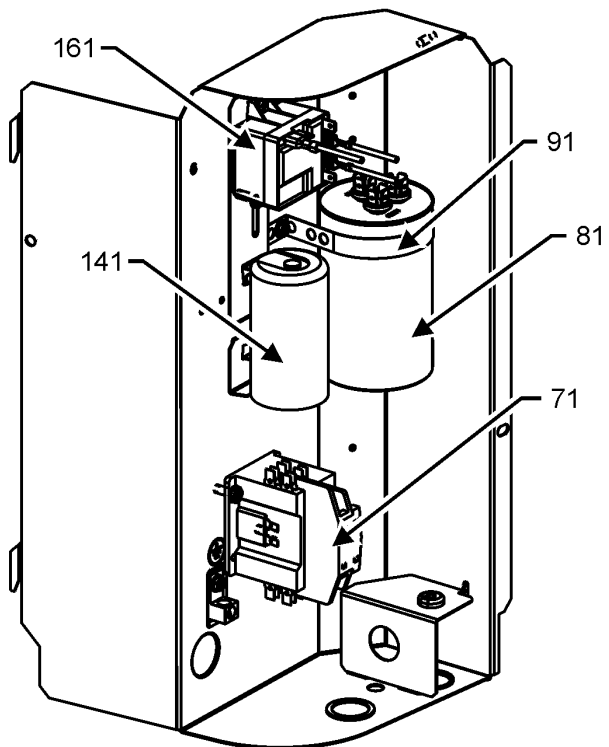
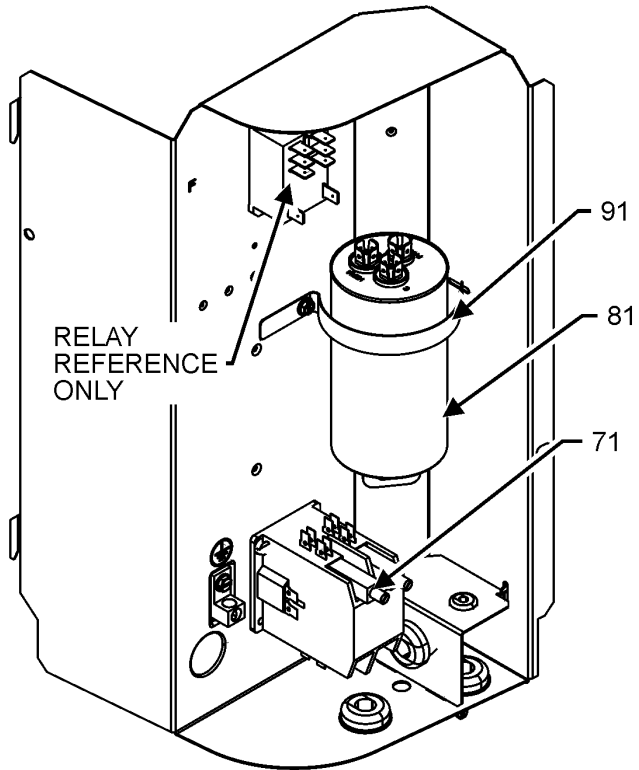
CONTROL PANEL ASSEMBLY



UPPER ACCESS COVER



LOWER ACCESS PANEL



CONTROL PANEL ASSEMBLY MAY DIFFER FROM WHAT IS SHOWN

Control Panel Assembly

Ref. Part No:	No:	Description:	Ref. Part No:	No:	Description:
---------------	-----	--------------	---------------	-----	--------------

Image 1:

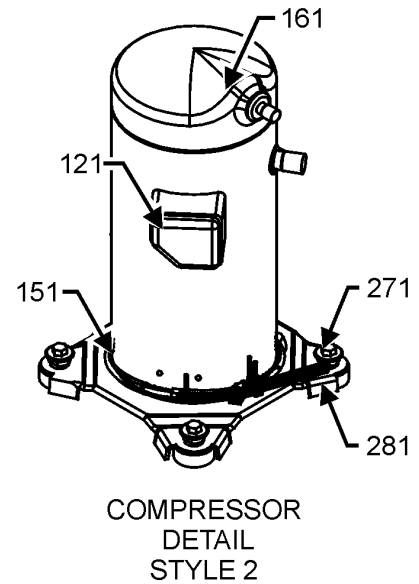
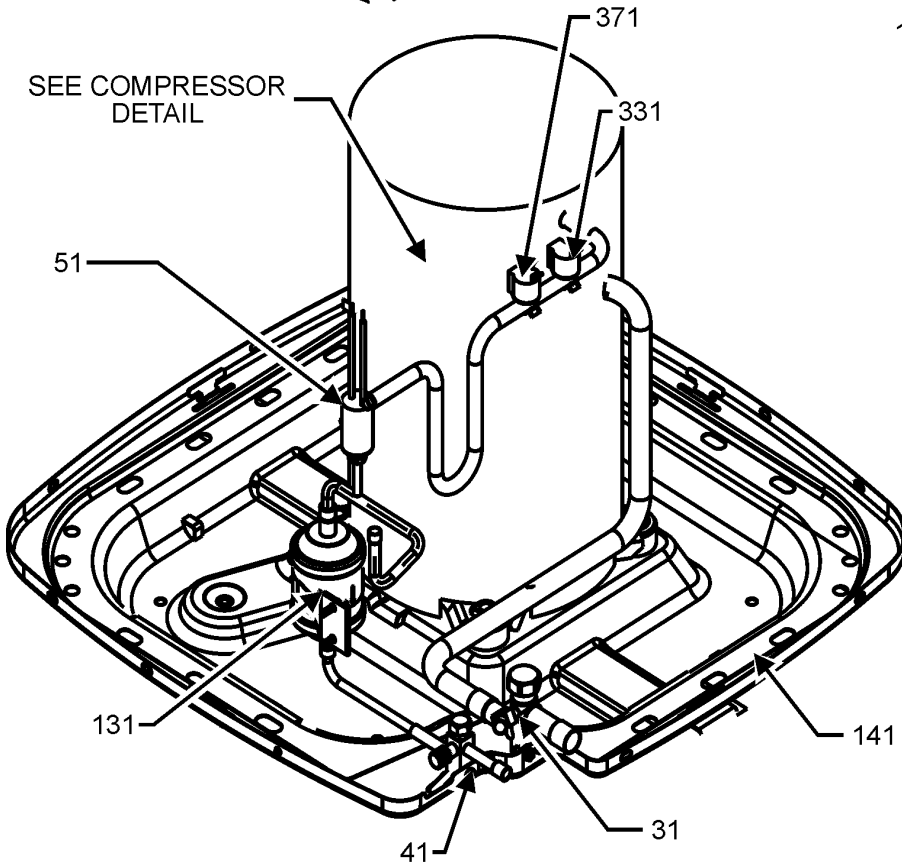
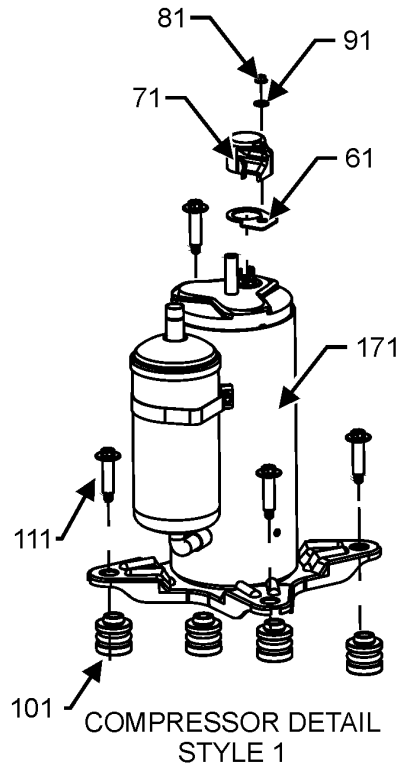
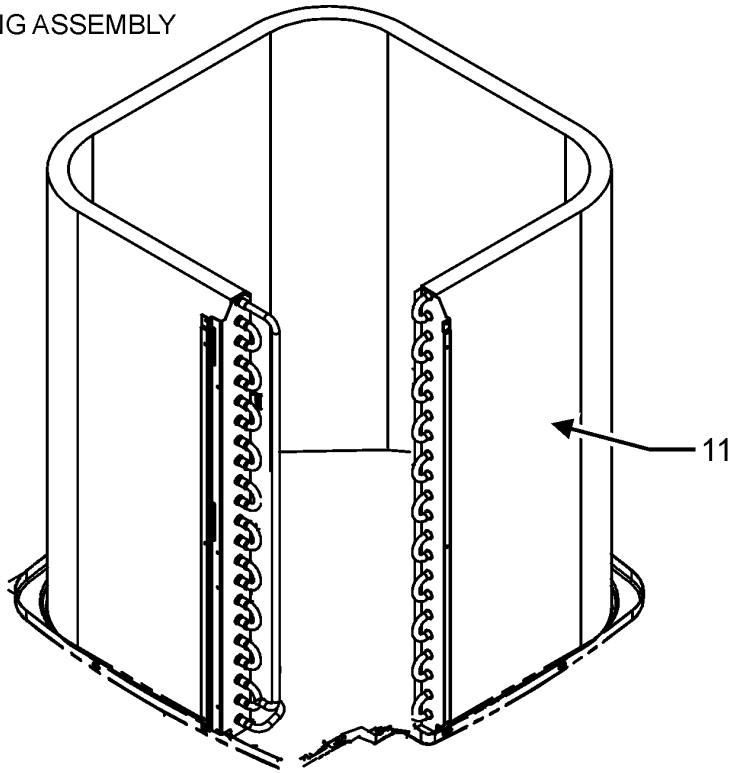
11	0121R00909PDG	PNL, LWR ACCESS (M3, M4)
11	0121R00916PDG	PNL, LWR ACCESS (M7)
11	0121R00917PDG	PNL, LWR ACCESS (M5, M6)
11	0121R00919PDG	PNL, LWR ACCESS (M1, M2)
21	0121R00937PDG	CONTROL COVER, PNT
71	CONT1P030024V	CONT, 1 POLE, 30 AMP, 24 VAC (M1, M2, M3, M4, M5, M6)
71	CONT2P040024V	CONT, 2 POLE, 40 AMP, 24 VAC (M7)
81	CAP050350440CS	CAP, 5/35 MFD/440V/DUAL RD (M2, M3)
81	CAB050400440CT	CAP, 5/40 MFD/440V RD - BPRF (M4, M6, M7)
81	CAB050450440CT	CAP, 5/45 MFD/440V RD - BPRF (M5)
81	CAP050300440CS	CAP,5/30MFD/440V/DUAL RD (M1)
91	4400065	CAPACITOR STRAP
141	0130R00116	CAPACITOR HARD START (M1)
161	0130M00740	PRE-WIRED RELAY (M1)
NS	0161R00092	NAMEPLATE, GOODMAN

Expanded Model Nomenclature

M1 - GSXB401810AA
M2 - GSXB402410AA
M3 - GSXB403010AA
M4 - GSXB403610AA
M5 - GSXB404210AA
M6 - GSXB404810AA
M7 - GSXB406010AA

Compressor and Tubing Assembly

TUBING ASSEMBLY



ACTUAL TUBING ASSEMBLY MAY DIFFER FROM WHAT IS SHOWN

Compressor and Tubing Assembly

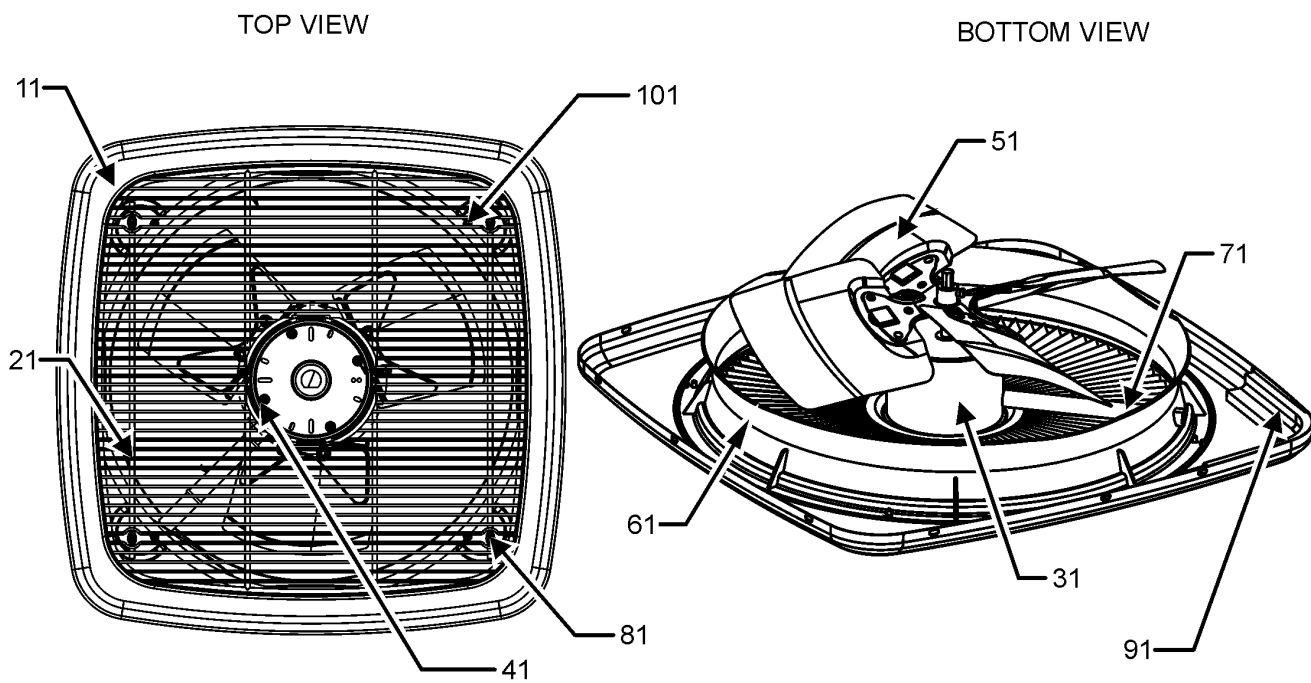
Ref. Part No:	Ref. Part No:	Description:	Description:
Image 1:			
11	0201R00296	COIL TUBING ASSEMBLY (M2)	
11	0201R00433	COIL TUBING ASSY (M3, M4)	
11	0201R00666	COIL TUBING ASSY (M1)	
11	0201R00718	COIL TUBING ASSY (M7)	
11	0201R00732	COIL TUBING ASSY (M5, M6)	
31	0151R00182	BALL VALVE 7/8" (M3, M4)	
31	0151R00185	BASE VALVE 3/4" (M1, M2)	
31	0151R00186	BASE VALVE 7/8" (M5, M6, M7)	
41	0151R00187	BASE VALVE 3/8"	
51	0130M00089	SW-CUTOUT HI PRESS (M1)	
61	60100107	TERMINAL COVER GASKET (M1)	
71	60100317	TERMINAL COVER (M1)	
81	60100401	TERMINAL NUT - RECHI COMP (M1)	
91	60100201	WASHER - RECHI COMPRESSOR (M1)	
101	60140209	GROMMET - RECHI COMPRESSOR (M1)	
111	0163M00186	SCREW-SHOULDER TF (M1)	
121	0159R00020	HARNESS, COMP SCROLL (M2)	
121	0159R00002P	HARNESS, COMP SCROLL 130 46" (M3, M4, M5, M6, M7)	
131	0162R00057	FILTER DRIER	
141	0121R00005PDG	BASE PAN 26" (M1)	
141	0121R00006PDG	BASE PAN 29" (M2)	
141	0121R00007PDG	BASE PAN 35" (M3, M4, M5, M6, M7)	
151	0163R00007	HEATER CRANKCASE 230V 40W (M5, M6, M7)	
161	ZPS51K7EPFV130	COMP 49000,208/230/60/1 (M7)	
161	ZP24K7EPFV130	COMP, 24000, 208/230/60/1 (M3)	
161	ZP20K7EPFV130	COMPRESSOR, 2 TON (M2)	
161	ZP29K7EPFV130	COMPRESSOR, COPELAND (M4)	
161	ZP34K7EPFV130	COMPRESSOR, COPELAND (M5)	
161	ZP40K7EPFV130	COMPRESSOR, COPELAND (M6)	
171	50N3829V-ZAKM	COMPRESSOR (M1)	
271	M0221641	TF SHOULDER SCREW (M2, M3, M4, M5, M6, M7)	
281	B1339533	COMPRESSOR GROMMET (M2, M3, M4, M5, M6, M7)	
331	0130M00106	DISC TERM CRNKCS HTR SW (M5, M6, M7)	
371	0130M00349	DISC THERMOSTAT (M2, M3, M4, M5, M6, M7)	
NS	0160M00036	COMPRESSOR BLANKET (M1)	
NS	0159M00017	WIRE HARNESS COMPR SOLENOID (M7)	

Expanded Model Nomenclature

- | |
|-------------------|
| M1 - GSXB401810AA |
| M2 - GSXB402410AA |
| M3 - GSXB403010AA |
| M4 - GSXB403610AA |
| M5 - GSXB404210AA |
| M6 - GSXB404810AA |
| M7 - GSXB406010AA |

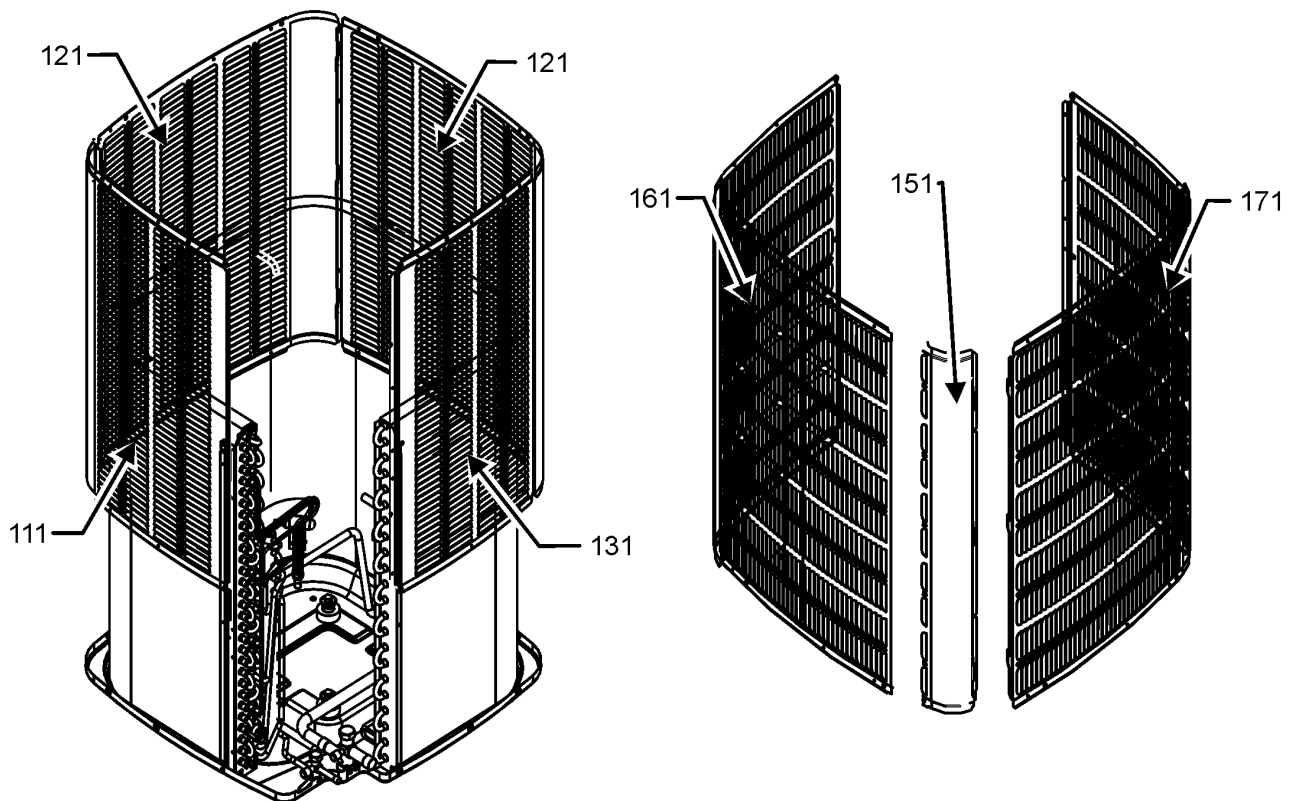
Top and Louver Panel Assembly

TOP PANEL AND LOUVER PANEL ASSEMBLY



LOUVER PANEL ASSEMBLY STYLE 1

LOUVER PANEL ASSEMBLY STYLE 2



TOP PANEL AND LOUVER ASSEMBLY MAY DIFFER FROM WHAT IS SHOWN

Top and Louver Panel Assembly

Ref. Part No:	Ref. Part No:	Description:	Description:
Image 1:			
11	0121R00931PDG	PANEL, TOP 26. PNT (M1)	
11	0121R00935PDG	PANEL, TOP 29. PNT (M2)	
11	0121R00936PDG	TOP PANEL, 35. PNT (M3, M4, M5, M6, M7)	
21	0152R00024	26" GRILLE CFS (M1)	
21	0152R00025	29" GRILLE CFS (M2)	
21	0152R00026	GRILL, WIRE 35. TOP (M3, M4, M5, M6)	
21	0152R00027	GRILL, WIRE 35. TOP (M7)	
31	0131M00807	MOTOR, 1/4HP,1SP,8PL,AL (M5, M6)	
31	0131M00753	MOTOR, 1/6HP, 1SP, 8PL, AL (M2, M3, M4)	
31	0131M00969	MOTOR, 1/8HP, 8PL, PSC (M1)	
31	0131M01012	MOTOR, ECM (M7)	
41	0163M00006P	ACORN NUT 5/16 HEX BLACK (M1, M2, M3, M4, M5, M6)	
41	M0280801	NUT HEX (M7)	
51	0150M00012	BLADE-FAN 20" CCW (M1)	
51	0150M00008	FAN BLADE, 22" TNT2203-25 (M2)	
51	0150M00054	FAN BLADE, 26" (M3, M4, M5, M6, M7)	
61	0161R00103	26" VENTURI CFS (M1)	
61	0161R00104	29" VENTURI CFS (M2)	
61	0161R00105	35" VENTURI CFS (M3, M4, M5, M6, M7)	
71	0161R00001P	CONDUIT (M1)	
71	0161R00002P	CONDUIT (M2)	
71	0161R00100	CONDUIT (M3, M4, M5, M6)	
71	0163M00385	CONDUIT-FLEXIBLE (M7)	
81	0163M00003P	SCREW,#10 X 1/2,A,SLOT,SR,BLK (QTY 4)	
91	0154R00045	GASKET, CONTROL PANEL	
101	0163M00004	SCREW 10X3/4 BLK (QTY 4)	
111	0121R00592PDG	PANEL 1, LOUVER 35_34.64 PNT (M5, M6)	
111	0121R00593PDG	PANEL 1, LOUVER 35_39.84 PNT (M7)	
111	0121R00229PDG	PANEL 1,LOUVER 35,37.8 5MM,PNT (M3, M4)	
121	0121R00232PDG	PANEL 2, LOUVER 35 (M3, M4)	
121	0121R00594PDG	PANEL 2, LOUVER 35_34.64 PNT (M5, M6)	
121	0121R00595PDG	PANEL 2, LOUVER 35_39.84 PNT (M7)	
131	0121R00235PDG	PANEL 3, LOUVER 35, 37.8 (M3, M4)	
131	0121R00596PDG	PANEL 3, LOUVER 35_34.64 PNT (M5, M6)	
131	0121R00597PDG	PANEL 3, LOUVER 35_39.84 PNT (M7)	
151	0121R00350PDG	Louver Post, PDG 28.73 (M1, M2)	
161	0121R00337PDGLS	Louver Panel, PDG 26"_28.73 (M1)	
161	0121R00342PDGLS	Louver Panel, PDG 29"_28.73 (M2)	
171	0121R00337PDGRS	Louver Panel, PDG 26"_28.73 (M1)	
171	0121R00342PDGRS	Louver Panel, PDG 29"_28.73 (M2)	
NS	0161R00088	CAP GRILL (M7)	
NS	0163M00005P	WASHER, BLACK (.50 OD .218D) (M1, M2, M3, M4, M5, M6)	

Expanded Model Nomenclature

M1 - GSXB401810AA
M2 - GSXB402410AA
M3 - GSXB403010AA
M4 - GSXB403610AA
M5 - GSXB404210AA
M6 - GSXB404810AA
M7 - GSXB406010AA