

SPARE PARTS CATALOG

CM 12



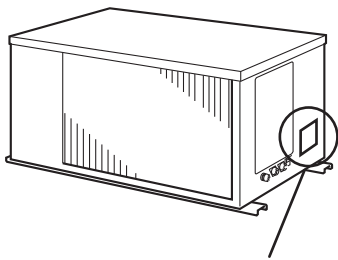
MOVINCOOL®
THE #1 SPOT COOLING SOLUTION

Table of Contents

No.	UNIT PART NUMBER	SERIAL NUMBER RANGE	REFRIGERANT	SECTION
1	484000-4290	0211XXXXC12 to Present (From February 2011 to Present)	R410A	Page 3 ~ 13 SP0067-02
2	484000-3940	0109XXXXC12 to 0111XXXXC12 (From January 2009 to January 2011)	R410A	Page 15 ~ 25 SP0038-05
3	484000-3640	0306XXXXC12 to 1208XXXXC12 (From March 2006 to December 2008)	R22	Page 27 ~ 37 SP0037-06

SERIAL NUMBER LOCATION AND IDENTIFICATION

Nameplate Label



Nameplate Label Position

COOLING AMPS. WITH PUMP
 COMPR. OUTPUT
 REFRIGERANT/TOTAL CHARGE
 DESIGN PRESSURE LO/HI
 PART NO./WEIGHT
 SERIAL NO.

COOLING AMPS. WITH PUMP	
COMPR. OUTPUT	
REFRIGERANT/TOTAL CHARGE	
DESIGN PRESSURE LO/HI	
PART NO./WEIGHT	
SERIAL NO.	▲▲ □□ XXXX ###

Month
Year

Model
Sequential
Number

© 2016 DENSO PRODUCTS AND SERVICES AMERICAS, INC.

All rights reserved. This book may not be reproduced or copied, in whole or in part, without the written permission of the publisher. DENSO PRODUCTS AND SERVICES AMERICAS, INC. reserves the right to make changes without prior notice. MovinCool®, Office Pro® and SpotCool® are registered trademarks of DENSO Corporation.

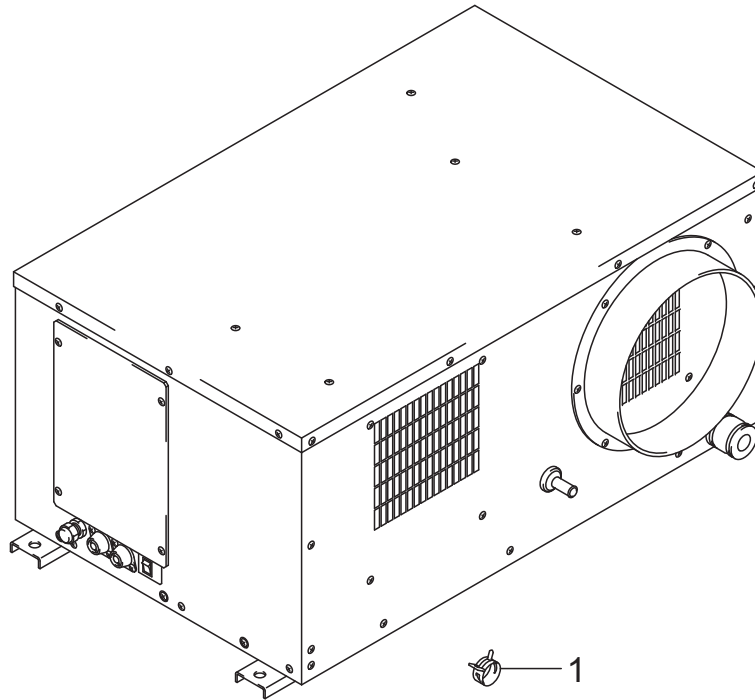
CM 12

Unit Part No: 484000-4290

Unit Serial Number Range:

0211XXXXC12 to Present
(From February 2011 to Present)

CM 12

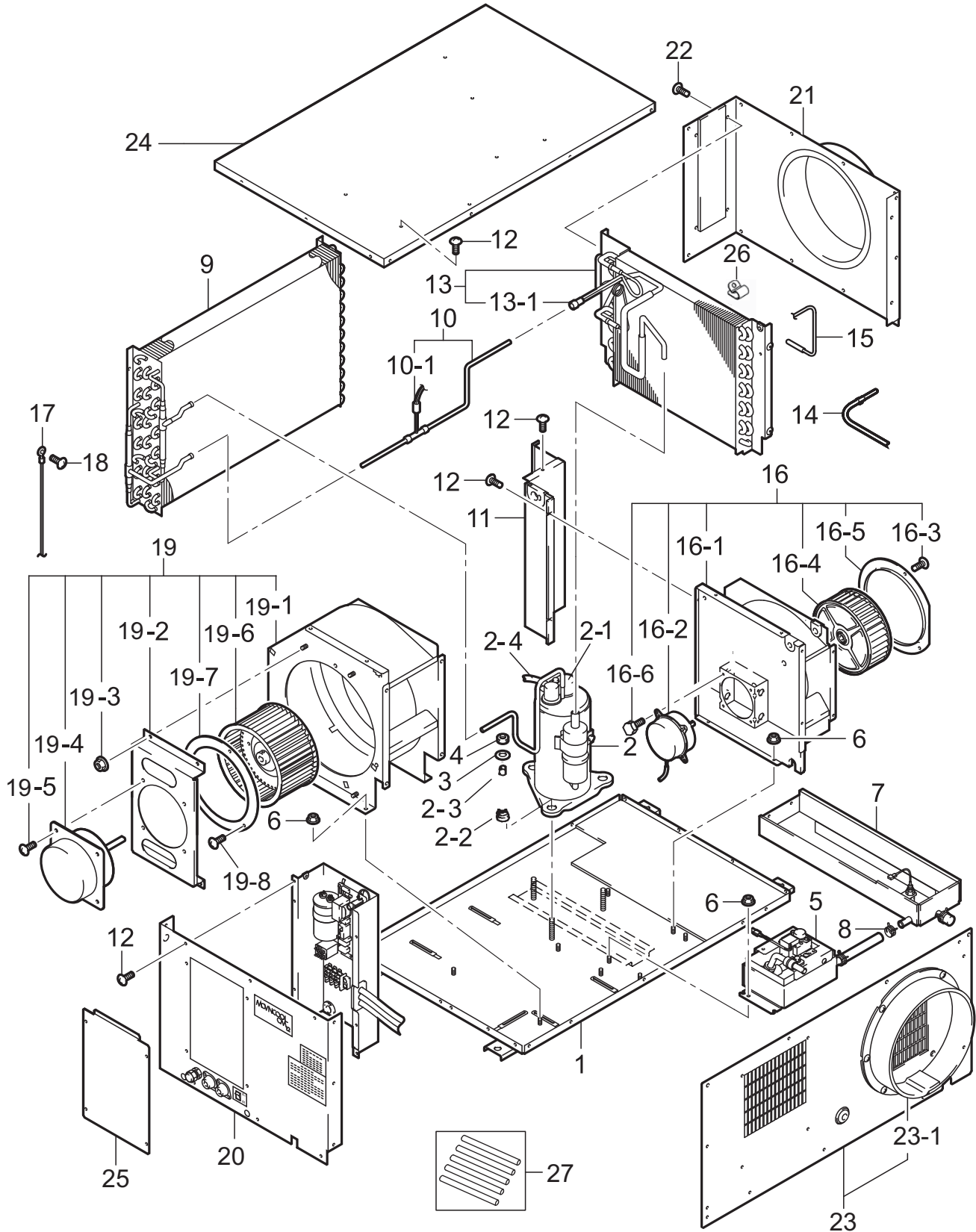


CM 12

ILL. No.	DESCRIPTION	PART No.	QTY.	UNIT SERIAL No. RANGE*	REMARKS**
1	Air Conditioner Assy Clip	484917-0930	1		

* : Please refer to page number 2 for the position of the nameplate showing the serial number on the unit.
"Unit Serial Number Range*" column indicates the first four digits of the unit serial number.
** : Please refer to the Reference Table on page number 39 for more information on the remarks.

CM 12

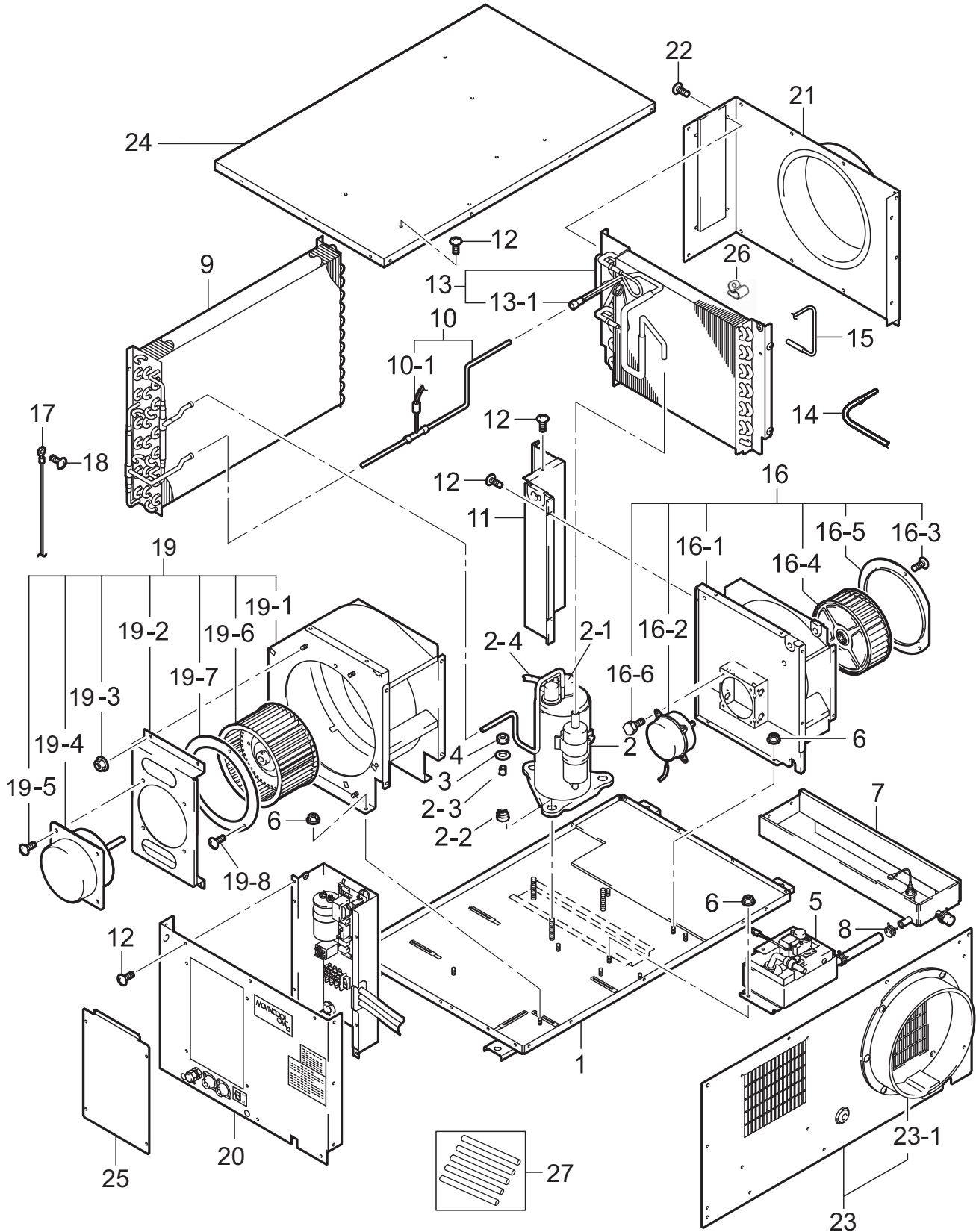


ILL. No.	DESCRIPTION	PART No.	QTY.	UNIT SERIAL No. RANGE*	REMARKS**
	Unit Assy				
1	Frame Assy, Bottom				No Supply
2	Compressor Assy	484650-3160	1		w/ILL.No.2-1~2-4
2-1	Relay, Overload	484501-0400	1		
2-2	Cushion	484904-0380	3		
2-3	Collar	484915-0410	3		
2-4	Wire Assy	481950-1570	1		
3	Washer, Steel Plate	949011-5330	3		
4	Nut, Hexagon	90190-08651	3		M8
5	Pump Assy	484780-0201	1		
6	Nut	949056-3700	9		M5
7	Pan Assy, Drain	484430-0590	1		
8	Clip, Hose	949351-0800	1		ID18.5
9	Core Assy	484600-2750	1		Condenser
10	Pipe Assy	484800-5410	1		For Condenser to Evaporator, w/ILL.No.10-1
10-1	High Pressure Switch	484660-0620	1		
11	Frame Sub-Assy	484310-6180	1		
12	Screw	949006-5850	55		M4, L10
13	Core Assy	484600-2780	1		Evaporator, w/ILL.No.13-1
13-1	Pipe Assy	484800-5420	1		Capillary
14	Thermistor Assy	482780-0960	1		Anti Freeze
15	Thermistor Assy	482780-0830	1		Room
16	Blower Assy				
16-1	Frame Assy	484300-3390	1		For Evaporator Fan Motor
16-2	Motor	484211-2020	1		(IDFM)
16-3	Screw	949006-5850	3		M4, L10
16-4	Fan	484221-0570	1		(ID)
16-5	Ring	484381-0662	1		
16-6	Bolt w/Washer	91570-06201	4		M6, L20, For Motor
17	Wire	484932-0732	1		For Ground
18	Screw	91051-04100	1		M4, L10
19	Blower Assy				
19-1	Frame Assy	484300-3400	1		For Condenser Fan Motor
19-2	Frame	484310-6480	1	0113 to Present	
		484310-6190	1	0211 to 1212	
19-3	Nut	949056-3700	4		M5
19-4	Motor	484211-2031	1	0113 to Present	ODFM Only
		484211-2090	1	0211 to 1212	ODFM
					w/ILL.No.19-2 (48310-6480)

* : Please refer to page number 2 for the position of the nameplate showing the serial number on the unit.
"Unit Serial Number Range*" column indicates the first four digits of the unit serial number.

** : Please refer to the Reference Table on page number 39 for more information on the remarks.

CM 12

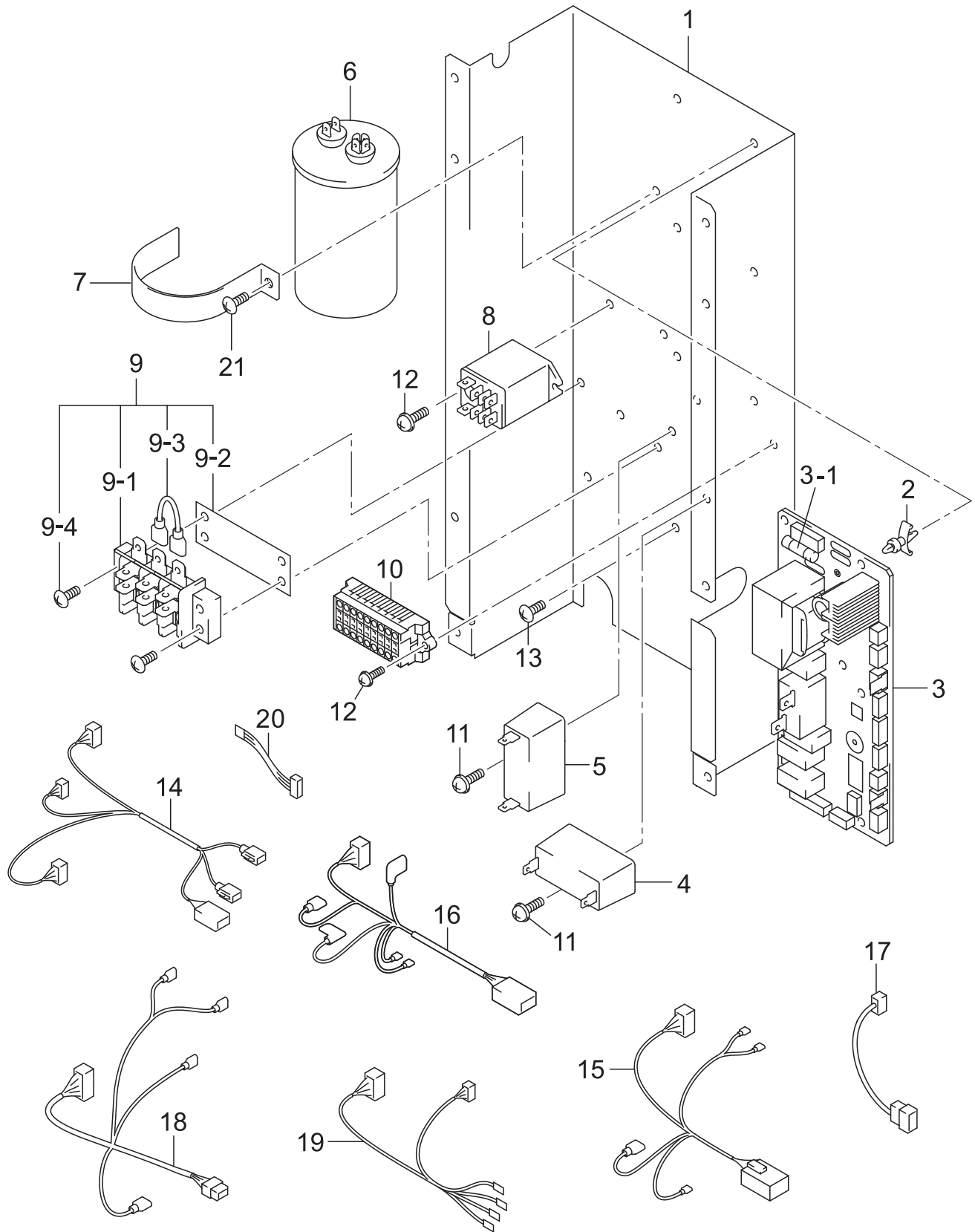


ILL. No.	DESCRIPTION	PART No.	QTY.	UNIT SERIAL No. RANGE*	REMARKS**
19-5	Screw	91570-06201	3	0113 to Present	M6, L20, For Motor
		90050-06101	3	0211 to 1212	M6, L10, For Motor
19-6	Fan	484221-0710	1		(OD)
19-7	Ring	484381-1210	2		
19-8	Screw	949006-5850	8		M4, L10
20	Panel Assy, Left	484410-9830	1		
21	Panel Assy, Right	484410-9840	1		
22	Screw, Tapping	949001-1570	4		M4, L10
23	Panel Assy, Front	484410-9850	1		w/ILL.No.23-1
23-1	Duct Sub-Assy	484360-0660	1		
24	Panel Assy, Top	484410-9860	1		
25	Service Panel	484410-9870	1		
26	Clip, Nonmetallic	482852-1330	2		For Thermistor
27	Pipe Assy	484800-0440	1		For Charging, 5 Pieces per Package

* : Please refer to page number 2 for the position of the nameplate showing the serial number on the unit.
 "Unit Serial Number Range*" column indicates the first four digits of the unit serial number.

** : Please refer to the Reference Table on page number 39 for more information on the remarks.

CM 12

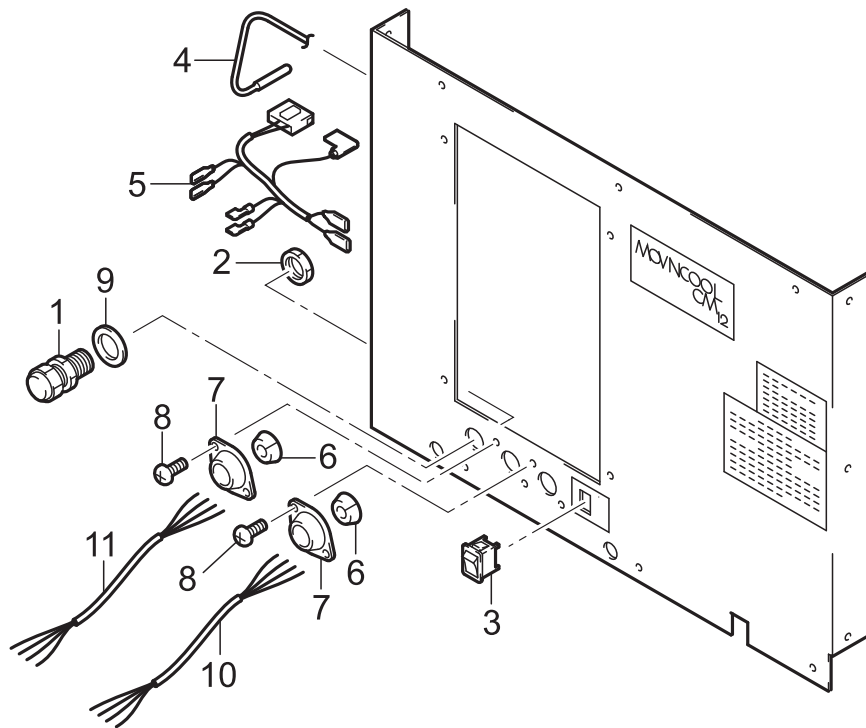


ILL. No.	DESCRIPTION	PART No.	QTY.	UNIT SERIAL No. RANGE*	REMARKS**
	Controller Assy				
1	Box	484521-1610	1	0415 to Present	
		484521-1410	1	0211 to 0315	
2	Support	482125-3170	6		
3	Controller Assy	484500-3651	1		(RB), w/ILL.No.3-1
3-1	Fuse	481936-0140	1		5A, 250V, 5 Pieces per Package
4	Capacitor	484507-2040	1		8 μ F, 250VAC (CF1)
5	Capacitor	484507-2050	1		14 μ F, 250VAC (CF2)
6	Capacitor	484507-2060	1		60 μ F, 450VAC (CC)
7	Bracket	484321-4250	1		
8	Relay	484531-0710	1		
9	Terminal Block Kit	484503-1530	1	0211 to 0315	w/ILL.No.9-1~9-4
9-1	Terminal Block	484503-0430	1	0415 to Present	TB1, For Power
9-2	Plate	484311-1650	1	0415 to Present	
9-3	Wire Assy	484930-8841	1	0415 to Present	TB1 (R~1)
9-4	Screw	949006-3280	2	0415 to Present	M4, L18
10	Terminal Block	484503-1260	1		TB2, For Signal
11	Screw	949006-3250	5		M4, L10
12	Screw	949006-6220	2		M3, L12
13	Screw	91051-04100	2		M4, L10
14	Wire Assy	481950-0450	1		RB~Thermistor
15	Wire Assy	481950-1580	1		CF2~ODFM
16	Wire Assy	481950-1590	1		RB~DP
17	Wire Assy	484930-8791	1		RB~ODS
18	Wire Assy	481950-1600	1		CF1~IDFM
19	Wire Assy	481950-0430	1		52CT~CN15
20	Wire Assy	481950-1620	1		CN03~TB
21	Screw	949006-3280	2		M4, L18

* : Please refer to page number 2 for the position of the nameplate showing the serial number on the unit.
"Unit Serial Number Range*" column indicates the first four digits of the unit serial number.

** : Please refer to the Reference Table on page number 39 for more information on the remarks.

CM 12



ILL. No.	DESCRIPTION	PART No.	QTY.	UNIT SERIAL No. RANGE*	REMARKS**
	Panel Assy	484410-9830	1		
1	Grommet	484926-0450	1		For Power Wiring
2	Nut, Holder	484919-0070	1		
3	Switch	484502-0440	1		
4	Thermistor Assy	482780-0801	1		ODS
5	Wire Assy	481950-1610	1		Switch~TB1
6	Grommet	484926-0110	2		ID8.0
7	Clip	484917-0620	2		
8	Screw	949006-5850	4		M4, L10
9	Plate	484311-3230	1		
10	Wire Assy	484930-8862	1		For Thermostat
11	Wire Assy	484930-8872	1		For Signal

* : Please refer to page number 2 for the position of the nameplate showing the serial number on the unit.
 "Unit Serial Number Range*" column indicates the first four digits of the unit serial number.

** : Please refer to the Reference Table on page number 39 for more information on the remarks.

[Memo]

CM 12

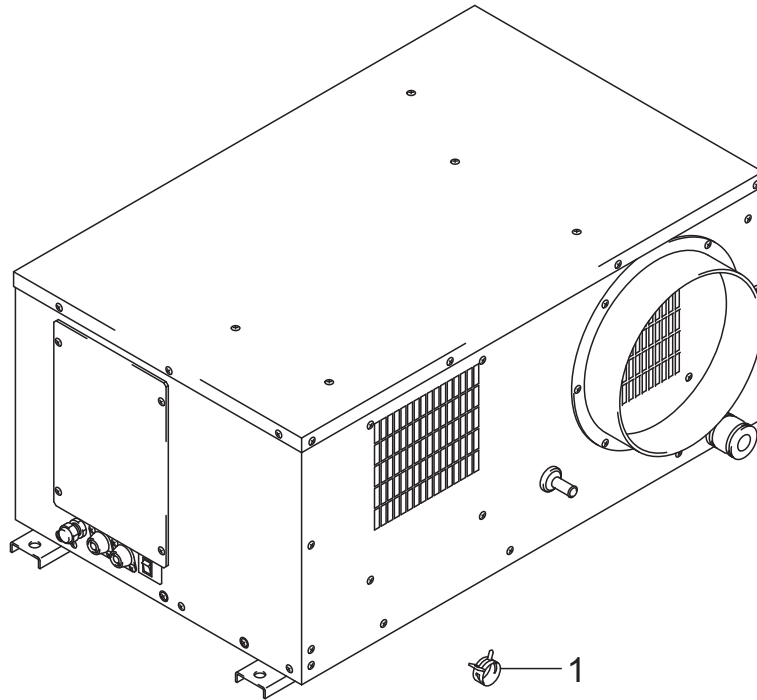
Unit Part No: 484000-3940

Unit Serial Number Range:

0109XXXXC12 to 0111XXXXC12

(From January 2009 to January 2011)

CM 12



CM 12

ILL. No.	DESCRIPTION	PART No.	QTY.	UNIT SERIAL No. RANGE*	REMARKS**
1	Air Conditioner Assy Clip	484917-0930	1		

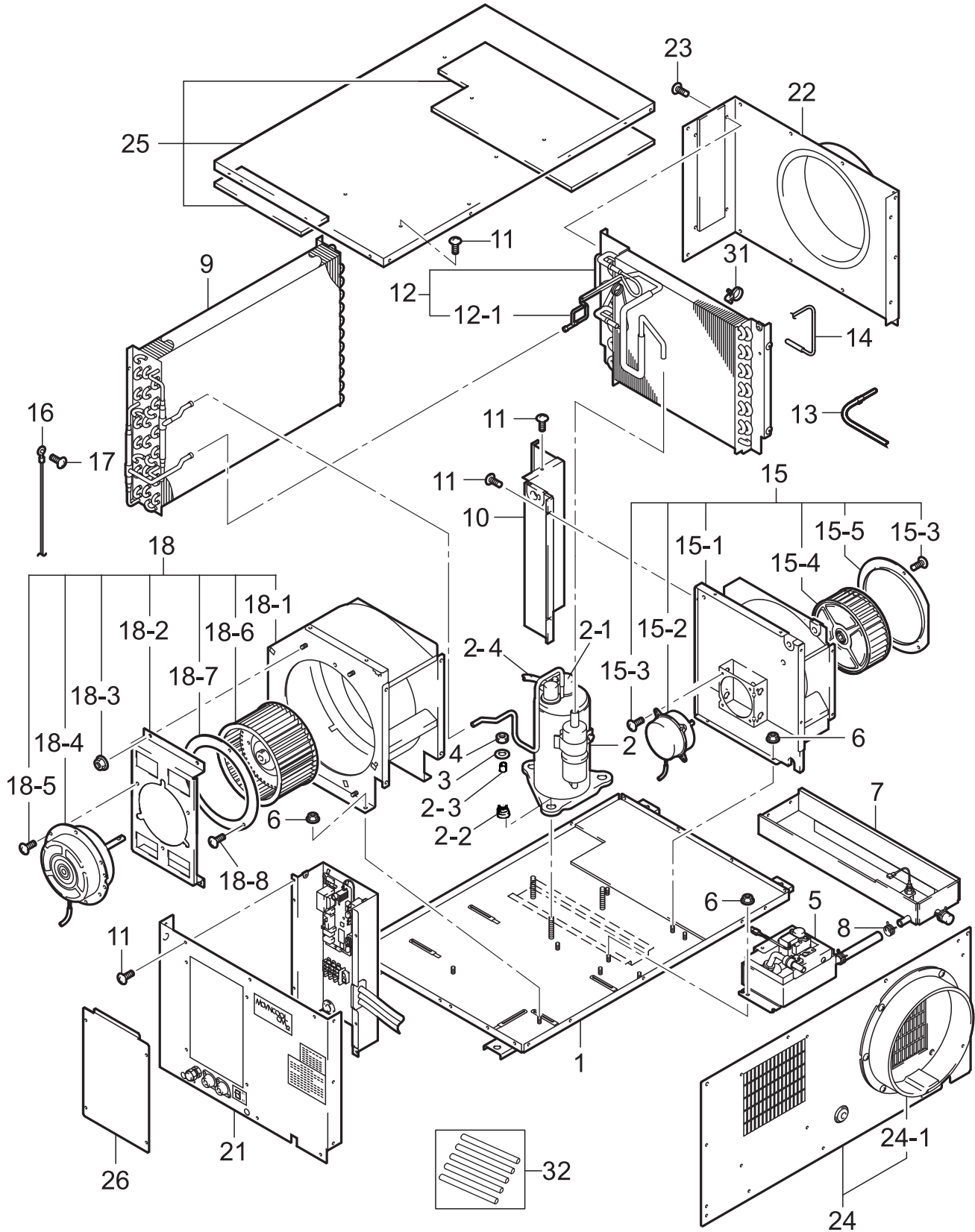
* : Please refer to page number 2 for the position of the nameplate showing the serial number on the unit.
"Unit Serial Number Range*" column indicates the first four digits of the unit serial number.
**: Please refer to the Reference Table on page number 39 for more information on the remarks.

ILL. No.	DESCRIPTION	PART No.	QTY.	UNIT SERIAL No. RANGE*	REMARKS**
	Unit Assy				
1	Frame Assy, Bottom				No Supply
2	Compressor Assy	484650-2930	1		w/ILL.No.2-1~2-4
2-1	Relay, Overload	484501-0400	1		
2-2	Cushion	484904-0380	3		
2-3	Collar	484915-0410	3		
2-4	Wire Assy	481950-0391	1		
3	Washer, Steel Plate	949011-5330	3		
4	Nut, Hexagon	90190-08651	3		M8
5	Pump Assy	484780-0201	1		
6	Nut	949056-3700	9		M5
7	Pan Assy, Drain	484430-0590	1		
8	Clip, Hose	949351-0800	1		ID18.5
9	Core Assy	484600-2380	1		
10	Frame Sub-Assy	484310-5550	1		
11	Screw	949006-5850	55		M4, L10
12	Core Assy	484600-2390	1		w/ILL.No.12-1
12-1	Pipe Assy	484800-4670	1		Capillary
13	Thermistor Assy	482780-0960	1		Anti Freeze
14	Thermistor Assy	482780-0830	1		Room
15	Blower Assy				
15-1	Frame Assy	484300-2660	1		For Evaporator Fan
15-2	Motor	484211-1761	1		(IDFM)
15-3	Screw	949006-5850	7		M4, L10
15-4	Fan	484221-0570	1		(ID)
15-5	Ring	484381-0662	1		
16	Wire	484932-0732	1		For Ground
17	Screw, Crossrecess Pan	91051-04100	1		M4, L10
18	Blower Assy				
18-1	Frame Assy	484300-3000	1		For Condenser Fan
18-2	Frame	484301-4631	1		
18-3	Nut	949056-3700	4		M5
18-4	Motor	484211-1770	1		(ODFM)
18-5	Screw, Crossrecess Pan	90050-06101	3		M6, L10
18-6	Fan	484221-0580	1		(OD)
18-7	Ring	484381-0390	1		
18-8	Screw	949006-5850	3		M4, L10
21	Panel Assy, Left	484410-9090	1		
22	Panel Assy, Right	484410-9100	1		
23	Screw, Tapping	949001-1570	4		M4, L10

* : Please refer to page number 2 for the position of the nameplate showing the serial number on the unit.
 "Unit Serial Number Range*" column indicates the first four digits of the unit serial number.

** : Please refer to the Reference Table on page number 39 for more information on the remarks.

CM 12

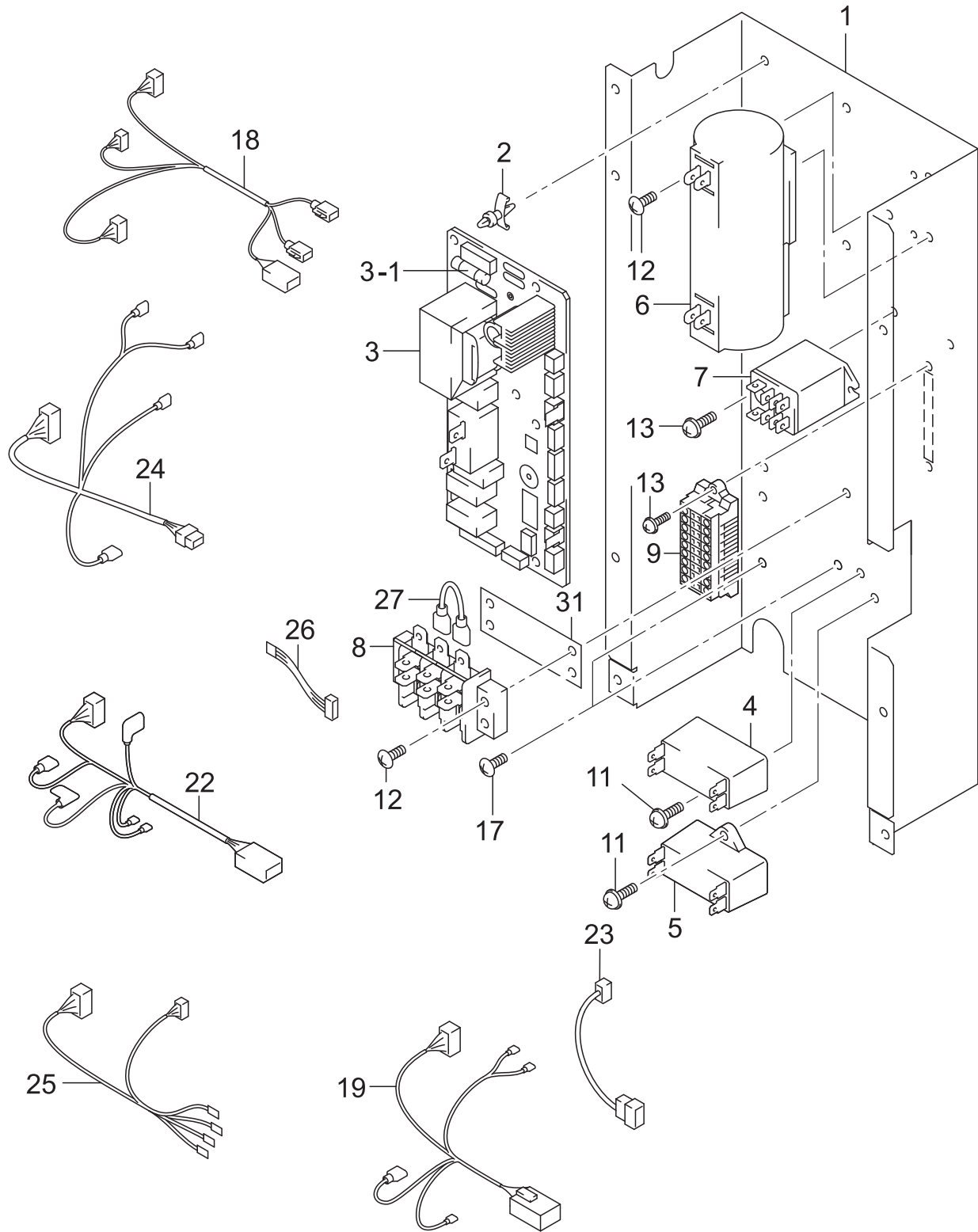


ILL. No.	DESCRIPTION	PART No.	QTY.	UNIT SERIAL No. RANGE*	REMARKS**
24	Panel Assy, Front	484410-7871	1		w/ILL.No.24-1
24-1	Duct Sub-Assy	484360-0660	1		
25	Panel Assy, Top	484410-9130	1		
26	Panel Assy	484410-9120	1		
31	Clip, Nonmetallic	482852-0930	2		For Thermistor
32	Pipe Assy	484800-0440	1		For Charging, 5 Pieces per Package

* : Please refer to page number 2 for the position of the nameplate showing the serial number on the unit.
"Unit Serial Number Range*" column indicates the first four digits of the unit serial number.

** : Please refer to the Reference Table on page number 39 for more information on the remarks.

CM 12

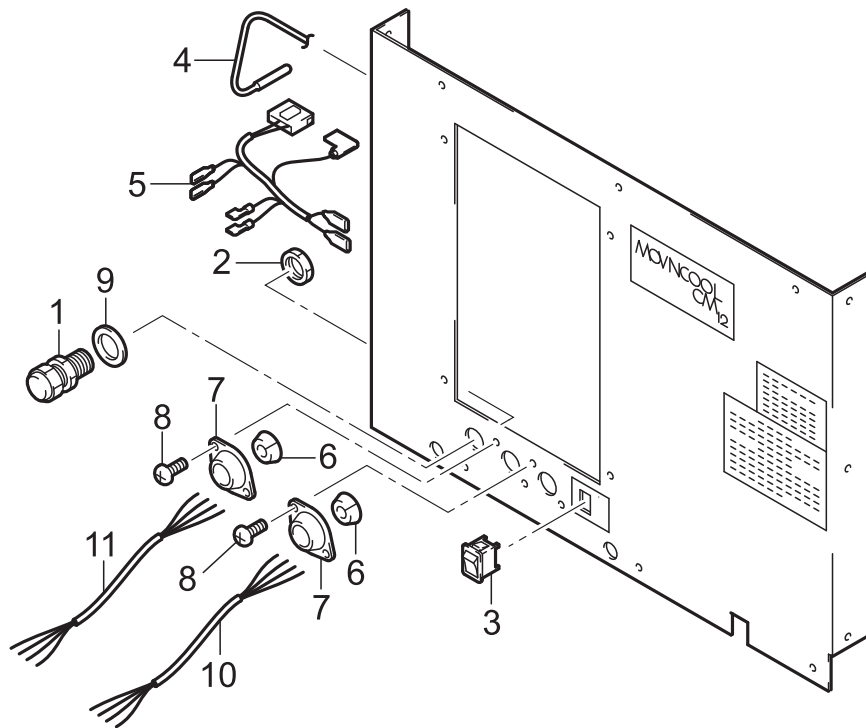


ILL. No.	DESCRIPTION	PART No.	QTY.	UNIT SERIAL No. RANGE*	REMARKS**
	Controller Assy				
1	Box	484521-1180	1		
2	Support	482125-3170	6		
3	Controller Assy	484500-3651	1		(RB), w/ILL.No.3-1
3-1	Fuse	481936-0140	1		5A, 250V, 5 Pieces per Package
4	Capacitor	484507-1500	1		7 μ F, 250VAC (CF1)
5	Capacitor	484507-1510	1		9 μ F, 220VAC (CF2)
6	Capacitor	484507-1740	1		60 μ F, 370VAC (CC)
7	Relay	484531-0710	1		
8	Terminal Block	484503-0430	1		TB1, For Power
9	Terminal Block	484503-1320	1		TB2, For Signal
11	Screw	949006-3250	4		M4, L10
12	Screw	949006-3280	4		M4, L18
13	Screw	949006-6220	4		M3, L12
17	Screw, Crossrecess Pan	91051-04100	2		M4, L10
18	Wire Assy	481950-0450	1		RB~Thermistor
19	Wire Assy	481950-0460	1		CF2~ODFM
22	Wire Assy	481950-0410	1		RB~DP
23	Wire Assy	484930-8791	1		RB~ODS
24	Wire Assy	484930-8802	1		RB~TB2
25	Wire Assy	481950-0430	1		RB~TB2
26	Wire Assy	481950-0420	1		RB~TB2
27	Wire Assy	484930-8841	1		TB1(R~1)
31	Plate	484311-1650	1		

* : Please refer to page number 2 for the position of the nameplate showing the serial number on the unit.
 "Unit Serial Number Range*" column indicates the first four digits of the unit serial number.

** : Please refer to the Reference Table on page number 39 for more information on the remarks.

CM 12



ILL. No.	DESCRIPTION	PART No.	QTY.	UNIT SERIAL No. RANGE*	REMARKS**
	Panel Assy	484410-9090	1		
1	Grommet	484926-0450	1		For Power Wiring
2	Nut, Holder	484919-0070	1		
3	Switch	484502-0440	1		
4	Thermistor Assy	482780-0801	1		ODS
5	Wire Assy	481950-0400	1		Switch~TB1
6	Grommet	484926-0110	2		ID8.0
7	Clip	484917-0620	2		
8	Screw	949006-5850	4		M4, L10
9	Plate	484311-3230	1		
10	Wire Assy	484930-8862	1		For Thermostat
11	Wire Assy	484930-8872	1		For Signal

* : Please refer to page number 2 for the position of the nameplate showing the serial number on the unit.
 "Unit Serial Number Range*" column indicates the first four digits of the unit serial number.

** : Please refer to the Reference Table on page number 39 for more information on the remarks.

[Memo]

CM 12

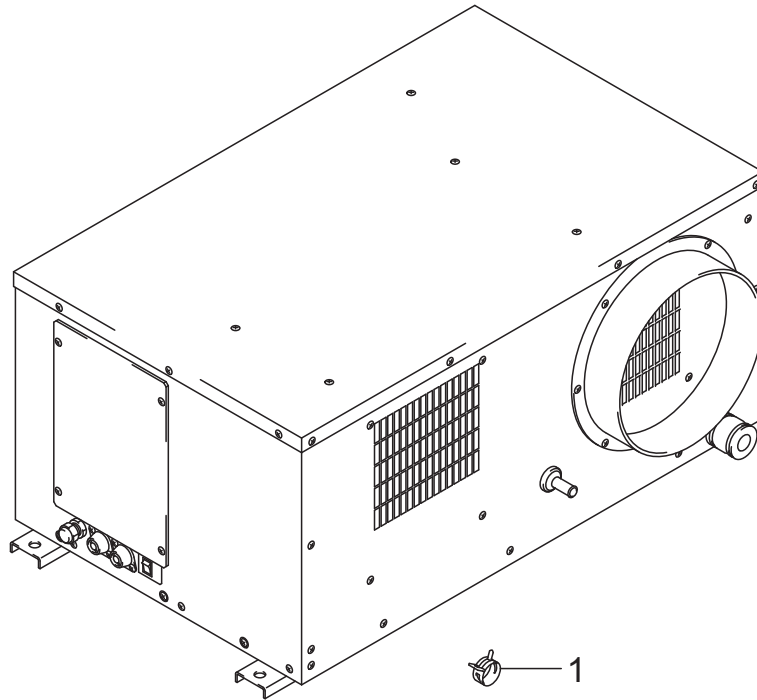
Unit Part No: 484000-3640

Unit Serial Number Range:

0306XXXXC12 to 1208XXXXC12

(From March 2006 to December 2008)

CM 12

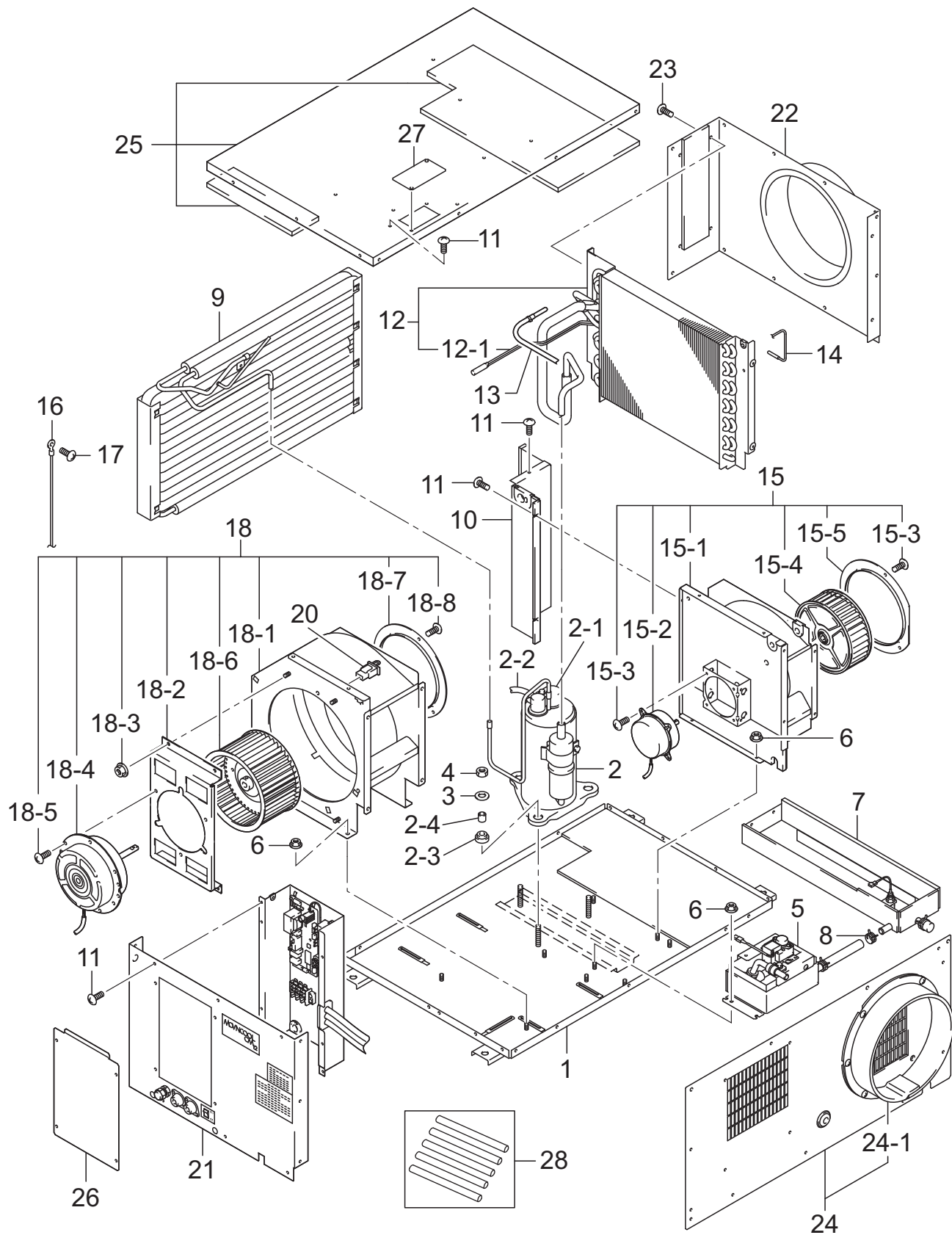


CM 12

ILL. No.	DESCRIPTION	PART No.	QTY.	UNIT SERIAL No. RANGE*	REMARKS**
1	Air Conditioner Assy Clip	484917-0930	1		

* : Please refer to page number 2 for the position of the nameplate showing the serial number on the unit.
"Unit Serial Number Range*" column indicates the first four digits of the unit serial number.
** : Please refer to the Reference Table on page number 39 for more information on the remarks.

CM 12

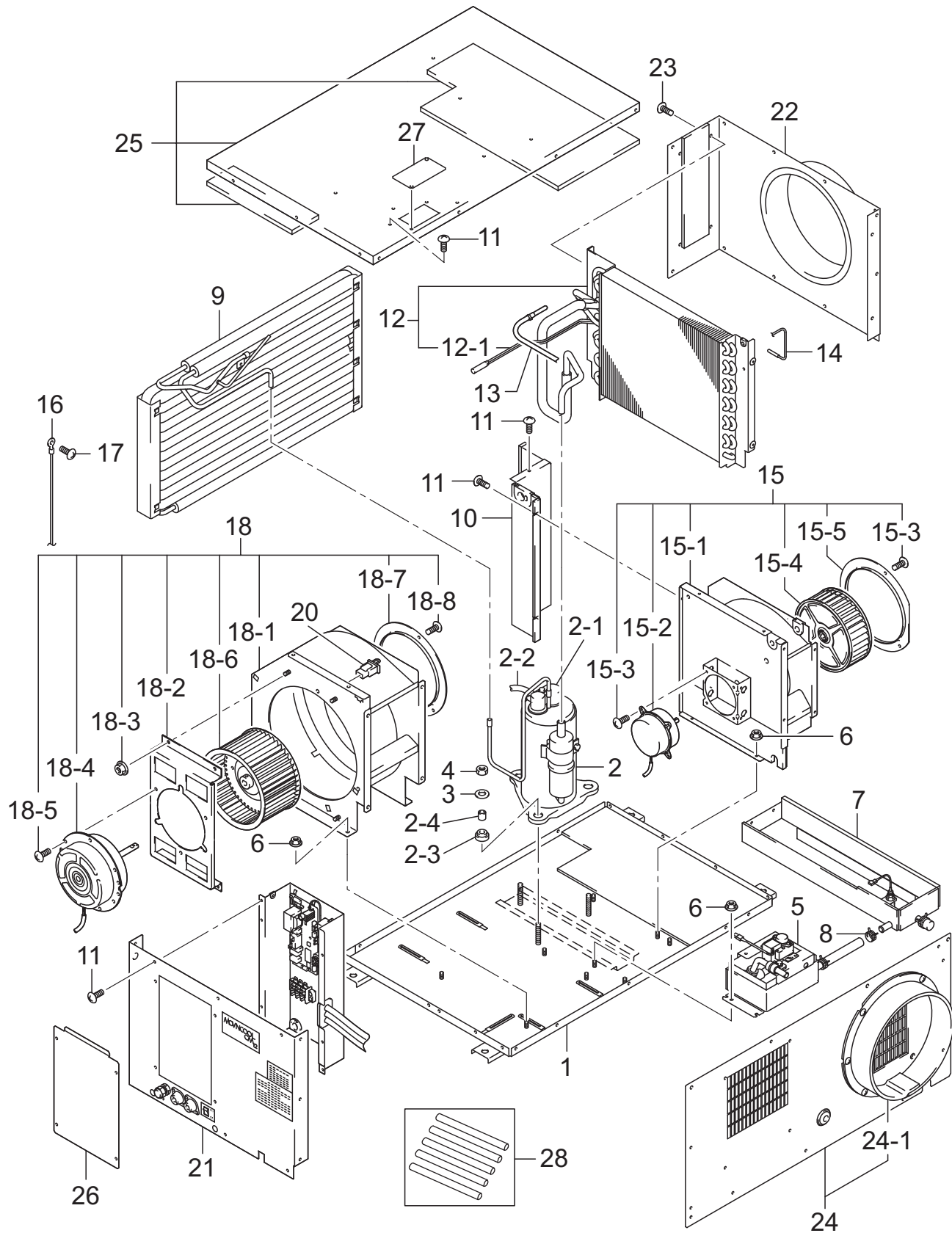


ILL. No.	DESCRIPTION	PART No.	QTY.	UNIT SERIAL No. RANGE*	REMARKS**
	Unit Assy				
1	Frame Assy, Bottom				No Supply
2	Compressor Assy	484650-2460	1		w/ILL.No.2-1~2-4
2-1	Relay, Overload	484501-0400	1		
2-2	Wire Assy	484930-8742	1		
2-3	Cushion	484904-0380	3		
2-4	Collar	484915-0410	3		
3	Washer, Steel Plate	949011-5330	3		
4	Nut, Hexagon	90190-08651	3		M8
5	Pump Assy	484780-0201	1		
6	Nut	949056-3700	9		M5
7	Pan Assy, Drain	484430-0590	1		
8	Clip, Hose	949351-0800	1		ID18.5
9	Core Assy	484600-2090	1		Condenser
10	Frame Sub-Assy	484310-4980	1		
11	Screw	949006-5850	55		M4, L10
12	Core Assy	484600-2100	1		Evaporator, w/ILL.No.12-1
12-1	Pipe Assy	484800-4020	1		Capillary
13	Thermistor Assy	482780-0960	1		Anti Freeze
14	Thermistor Assy	482780-0830	1		Room
15	Blower Assy				
15-1	Frame Assy	484300-2660	1		For Evaporator Fan
15-2	Motor	484211-1761	1		(IDFM), Evaporator
15-3	Screw	949006-5850	7		M4, L10
15-4	Fan	484221-0570	1		Evaporator
15-5	Ring	484381-0662	1		Inlet
16	Wire	484932-0732	1		Ground
17	Screw, Crossrecess Pan	91051-04100	1		M4, L10
18	Blower Assy				
18-1	Frame Assy	484300-2670	1		For Condenser Fan
18-2	Frame	484301-4631	1		
18-3	Nut	949056-3700	4		M5
18-4	Motor	484211-1770	1		(ODFM), Condenser
18-5	Screw, Crossrecess Pan	90050-06101	3		M6, L10
18-6	Fan	484221-0580	1		Condenser
18-7	Ring	484381-0390	1		Inlet
18-8	Screw	949006-5850	3		M4, L10
20	Wire Assy	484930-8831	1		
21	Panel Assy, Left	484410-7851	1		
22	Panel Assy, Right	484410-7900	1		

* : Please refer to page number 2 for the position of the nameplate showing the serial number on the unit.
 "Unit Serial Number Range*" column indicates the first four digits of the unit serial number.

** : Please refer to the Reference Table on page number 39 for more information on the remarks.

CM 12



ILL. No.	DESCRIPTION	PART No.	QTY.	UNIT SERIAL No. RANGE*	REMARKS**
23	Screw, Tapping	949001-1570	4		M4, L10
24	Panel Assy, Front	484410-7871	1		w/ILL.No.24-1
24-1	Duct Sub-Assy	484360-0660	1		Flange
25	Panel Assy, Top	484410-7880	1		
26	Panel Assy	484410-7890	1		Service
27	Plate	484311-3220	1		Top Cover
28	Pipe Assy	484800-0440	1		For Charging, 5 Pieces per Package

* : Please refer to page number 2 for the position of the nameplate showing the serial number on the unit.
"Unit Serial Number Range*" column indicates the first four digits of the unit serial number.

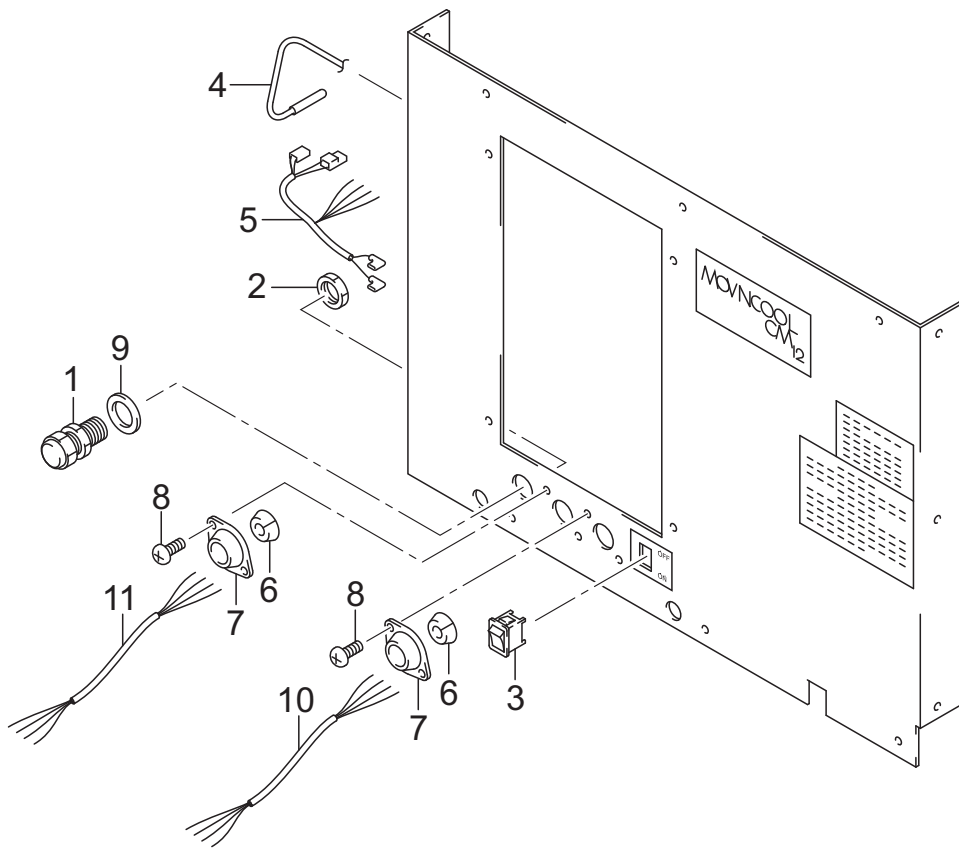
** : Please refer to the Reference Table on page number 39 for more information on the remarks.

ILL. No.	DESCRIPTION	PART No.	QTY.	UNIT SERIAL No. RANGE*	REMARKS**
	Controller Assy				
1	Box	484521-1050	1		
2	Support	482125-3170	6		
3	Controller Assy	484500-3820	1		(RB), w/ILL.No.3-1
3-1	Fuse	481936-0140	1		5A, 250V, 5 Pieces per Package
4	Capacitor	484507-1500	1		7 μ F, 250VAC (CF1)
5	Capacitor	484507-1510	1		9 μ F, 220VAC (CF2)
6	Capacitor	484507-1520	1		50 μ F, 250VAC (CC)
7	Relay	484531-0710	1		
8	Terminal Block	484503-0430	1		TB1
9	Terminal Block	484503-1320	1		TB2
11	Screw	949006-3250	2		M4, L10
12	Screw	949006-3280	4		M4, L18
13	Screw	949006-6220	4		M3, L12
17	Screw, Crossrecess Pan	91051-04100	3		M4, L10
18	Wire Assy	484930-8753	1		TB1~RB
19	Wire Assy	484930-8762	1		TB1~RB~Thermistor (Anti Freeze. Room)
22	Wire Assy	484930-8783	1		TB-A~RB~ODFM~CF2
23	Wire Assy	484930-8791	1		RB~ODS
24	Wire Assy	484930-8802	1		TB1~RB~IDFM~CF1
25	Wire Assy	484930-8812	1		TB1~RB~CC~DP
26	Wire Assy	484930-8821	1		RB~TB2
27	Wire Assy	484930-8841	1		TB1 (T~1)
31	Plate	484311-1650	1		

* : Please refer to page number 2 for the position of the nameplate showing the serial number on the unit.
 "Unit Serial Number Range*" column indicates the first four digits of the unit serial number.

** : Please refer to the Reference Table on page number 39 for more information on the remarks.

CM 12



ILL. No.	DESCRIPTION	PART No.	QTY.	UNIT SERIAL No. RANGE*	REMARKS**
	Panel Assy	484410-7851	1		
1	Grommet	484926-0450	1		For Power Wiring
2	Nut, Holder	484919-0070	1		
3	Switch	484502-0440	1		
4	Thermistor Assy	482780-0801	1		ODS
5	Wire Assy	484930-8772	1		Signal Line
6	Grommet	484926-0100	2		ID9.2
7	Clip	484917-0620	2		Blanking Cover
8	Screw	949006-5850	4		M4, L10
9	Plate	484311-3230	1		
10	Wire Assy	484930-8862	1		For Thermostat
11	Wire Assy	484930-8872	1		For Warning Signal

* : Please refer to page number 2 for the position of the nameplate showing the serial number on the unit.
 "Unit Serial Number Range*" column indicates the first four digits of the unit serial number.

** : Please refer to the Reference Table on page number 39 for more information on the remarks.

[Memo]

Reference Table:

TB1	Terminal Block 1	RTS	Room Thermistor (Evaporator Inlet Air Thermistor)
TB2	Terminal Block 2	CF1	Capacitor For IDFM (Capacitor For Evaporator Fan Motor)
RB	Relay Board	CF2	Capacitor For ODFM (Capacitor For Condenser Fan Motor)
IDFM	Indoor Fan Motor (Evaporator Fan Motor)	CC	Capacitor For Compressor
ODFM	Outdoor Fan Motor (Condenser Fan Motor)	OL	Overload Protector
MC	Compressor Motor	DP	Drain Pump
RX	Auxiliary Relay	SW	Switch For Emergency (Override/Stop Switch)
ODS	Outdoor Thermistor (Condenser Inlet Air Thermistor)	FLTS	Float Switch
CTS	Freeze Protection Thermistor	G	Ground
CN03	Connector 03	HPRS	High Pressure Switch
CN15	Connector 15	ID	Indoor (Evaporator)
OD	Outdoor (Condenser)		

DENSO

DENSO PRODUCTS AND SERVICES AMERICAS, INC.

Long Beach, CA 90810
www.movincool.com

Fifth Issue: March 2016