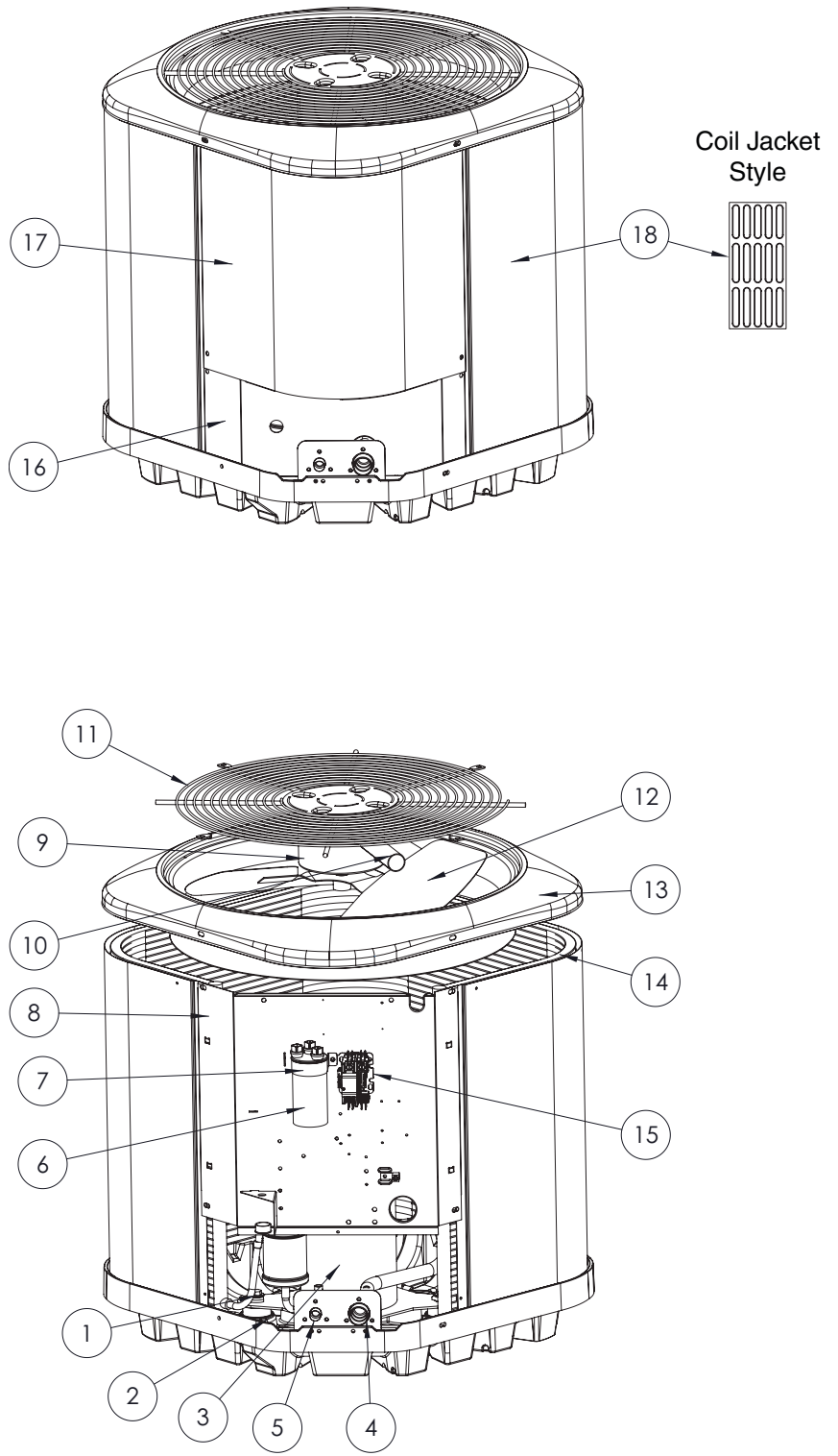


# REPLACEMENT PARTS LIST

## RS4QD & RS6QD SPLIT SYSTEM AIR CONDITIONER WITH QUICK CONNECT COUPLINGS FOR MANUFACTURED HOUSING, 13 SEER MODELS

| ITEM # | COMPONENT              |
|--------|------------------------|
| 1      | COMPRESSOR BOLT        |
| 2      | COMPRESSOR GROMMET     |
| 3      | COMPRESSOR             |
| 4      | REFRIGERANT VALVE (LG) |
| 5      | REFRIGERANT VALVE (SM) |
| 6      | CAPACITOR              |
| 7      | CAPACITOR STRAP        |
| 8      | CONTROL BOX            |
| 9      | OUTDOOR FAN MOTOR      |
| 10     | MOTOR WIRE CONDUIT     |
| 11     | OUTDOOR FAN GRILLE     |
| 12     | OUTDOOR FAN BLADE      |
| 13     | TOP PAN                |
| 14     | OUTDOOR COIL           |
| 15     | CONTACTOR              |
| 16     | ACCESS PANEL           |
| 17     | CONTROL BOX COVER      |
| 18     | OUTDOOR COIL GUARD     |



## RS4QD & RS6QD SPLIT SYSTEM AIR CONDITIONER WITH QUICK CONNECT COUPLINGS

| DESCRIPTION                        | RS6QD-024KA | RS6QD-030KA | RS6QD-036KA | RS4QD-042KD | RS4QD-048KC |
|------------------------------------|-------------|-------------|-------------|-------------|-------------|
|                                    | 921679R     | 921680R     | 921681R     | 922228R     | 922229R     |
| ACCESS PANEL                       | 274012MR    | 274012MR    | 274014MR    | 274012MR    | 274012MR    |
| CAPACITOR                          | 01-0097     | 01-0098     | 01-0292     | 01-0273     | 01-0278     |
| CAPACITOR STRAP                    | 258780      | 258780      | 258780      | 258780      | 258780      |
| COMPRESSOR                         | 622624R     | 622625R     | 622508R     | 921463      | 921466      |
| COMPRESSOR BOLT (COMPOSITE)        | 600428      | 600428      | 600428      | 600426      | 600426      |
| COMPRESSOR GROMMET                 | 690304      | 690304      | 690304      | 668530      | 668530      |
| COMPRESSOR MOLDED PLUG (NOT SHOWN) | 634797      | 634797      | 634797      | 634660R     | 634660R     |
| CONTACTOR                          | 624826      | 624826      | 624826      | 624712      | 624713      |
| CONTROL BOX                        | 2C3551      | 2C3551      | 2C3551      | 2C3551      | 2C3551      |
| CONTROL BOX COVER                  | 276921MR    | 276921MR    | 276921MR    | 276921MR    | 276921MR    |
| HIGH PRESSURE SWITCH (NOT SHOWN)   | 632473R     | 632473R     | 632473R     | 632473R     | 632473R     |
| MOTOR WIRE CONDUIT                 | 664292      | 664292      | 664292      | 664290      | 664290      |
| OUTDOOR COIL                       | 1009900R    | 1009900R    | 1009901R    | 2B5231R     | 2B5231R     |
| OUTDOOR COIL GUARD                 | 2C4392MR    | 2C4392MR    | 2C4394MR    | 2C4402MR    | 2C4402MR    |
| OUTDOOR FAN BLADE                  | 667261R     | 667261R     | 667396      | 667383      | 667383      |
| OUTDOOR FAN GRILLE                 | 669592R     | 669592R     | 669592R     | 669591R     | 669591R     |
| OUTDOOR FAN MOTOR                  | 621919      | 621919      | 621917      | 621972      | 621972      |
| PTCR                               | 632691      | 632691      | 632691      | —           | —           |
| REFRIGERANT VALVE (LG)             | 664478      | 664478      | 664478      | 664479      | 664479      |
| REFRIGERANT VALVE (SM)             | 664477      | 664477      | 664477      | 664477      | 664477      |
| TOP CAP (NOT SHOWN)                | 275291MR    | 275291MR    | 275291MR    | 275291MR    | 275291MR    |
| TOP PAN                            | 284711MR    | 284711MR    | 284711MR    | 284701MR    | 284701MR    |

Please specify the correct Model No., Serial No., & part number(s) when ordering parts from the nearest authorized dealer or service center.

To replace a restrictor for the outdoor or indoor unit, refer to the Quick Reference Data document that came with your unit to determine the size of the restrictor. The part number scheme for restrictors is "664" and three decimal places of the size of the restrictor. For example, a 0.042" restrictor part number would be 664042.

