



www.Source1Parts.com

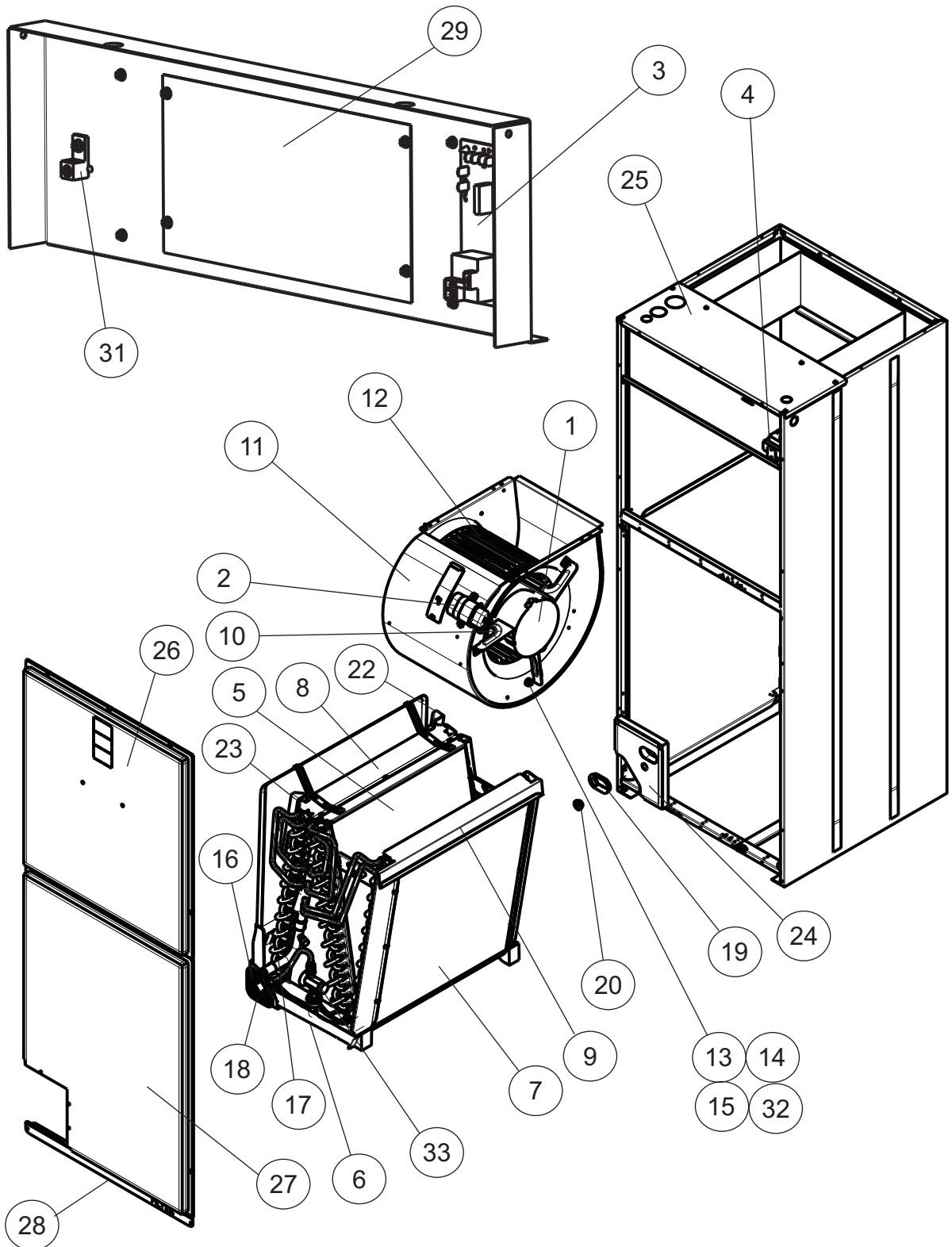
HVAC SERVICE PARTS

AP SERIES SINGLE PIECE AIR HANDLER PSC MOTOR, TXV COIL MODELS (STYLE A)

Supersedes:035-24565-001 Rev. C (0216)

035-24565-001 Rev. D (1016)

1 of 2



ITEM	DESCRIPTION	AP18BBA21A	AP24BBA21A	AP30BBB21A
1	Blower Motor, PSC	S1-02436261000	S1-02436031000	S1-02436302000
2	Capacitor, Run (10 MFD,370V)	S1-02420046700	S1-02420046700	---
	Capacitor, Run (15 MFD,370V)	---	---	S1-02425900000
3	Control Board, PSC	S1-03102986000	S1-03102986000	S1-03102986000
4	Transformer	S1-02518452700	S1-02518452700	S1-02518452700
5	Coil, Flex (w/drain pan) (No TXV)	S1-37339405006	S1-37339405008	S1-37339405018
6	Drain Pan, Vertical	S1-02817091000	S1-02817091000	S1-02817091000
7	Drain Pan, Horizontal	S1-37339404001	S1-37339404001	S1-37339404003
8	Baffle, Coil	S1-37339407003	S1-37339407003	S1-37339407002
9	Shield, Blow-Off	S1-37339408001	S1-37339408001	S1-37339408001
10	Motor Mount	S1-32631480000	S1-32631480000	S1-32631480000
11	Housing, Blower	S1-37327931001	S1-37327931002	S1-37327931001
12	Wheel, Blower	S1-02634005000	S1-02634005000	S1-02634005000
13	Sleeve, Isolator Steel (3 Req'd)	S1-02809412003	S1-02809412003	S1-02809412003
14	Tube, Isolator Rubber (3 Req'd)	S1-02809142001	S1-02809142001	S1-02809142001
15*	Washer, Neoprene (3 Req'd)	S1-02809142002	S1-02809142002	S1-02809142002
16	Plug, Drain Pan (2 Req'd)	S1-02812480001	S1-02812480001	S1-02812480001
17	Line, Liquid	---	---	---
18	Gasket, Drain Pan	S1-02817104000	S1-02817104000	S1-02817104000
19	Grommet, Oval	S1-02817078001	S1-02817077001	S1-02817077001
20	Grommet, 3/8"	S1-02813209000	S1-02813209000	S1-02813209000
21*	Gasket, Door	S1-02817061000	S1-02817061000	S1-02817061000
22	Channel, Condensate, Rear	S1-02817103000	S1-02817103000	S1-02817103000
23	Channel, Condensate, Front	S1-02817102000	S1-02817102000	S1-02817102000
24	Panel, Tubing Access	S1-37339403001	S1-37339403001	S1-37339403001
25	Top, Panel	S1-37339409001	S1-37339409001	S1-37339409001
26	Assy, Top Door	S1-37339410001	S1-37339410001	S1-37339410001
27	Assy, Bottom Door	S1-37339402001	S1-37339402001	S1-37339402001
28	Assy, Filter Door	S1-37339411001	S1-37339411001	S1-37339411001
29	Cover, Heat	S1-07339412001	S1-07339412001	S1-07339412001
30*	Harness, Wiring	S1-02544094000	S1-02544094000	S1-02544094000
31	Lug, Ground	S1-02521798000	S1-02521798000	S1-02521798000
32	Screws, Slotted (3 Req'd)	S1-02117174000	S1-02117174000	S1-02117174000
33*	TXV	S1-1TVMBA1	S1-1TVMBA1	S1-1TVMBB1
34*	Schraeder Valve	S1-02202475700	S1-02202475700	S1-02202475700
35*	Cap	S1-02310745000	S1-02310745000	S1-02310745000
36*	Wiring Diagram	1199995	1199995	1199995
37*	Washer, TXV	S1-02131419000	S1-02131419000	S1-02131419000

NOTE: *Not Shown

New replacement parts shown in **bold** face type at the first printing of parts list dated 10/16.

Major components and suggested stocking items are shown with shaded item number.

"<" Across from row indicates a change in that row.

--- Not applicable to specified model.

TO ORDER AUTHORIZED FACTORY REPLACEMENT PARTS - Contact your Source1 HVAC Parts Distributor or visit our website at **www.Source1Parts.com** for a Distributor and Dealer listing.

Subject to change without notice. Published in U.S.A.

Copyright © 2016 by Johnson Controls, Inc. All rights reserved.

035-24565-001 Rev. D (1016)

Supersedes: 035-24565-001 Rev. C (0216)

York International Corp.
5005 York Drive
Norman, OK 73069