



www.Source1Parts.com

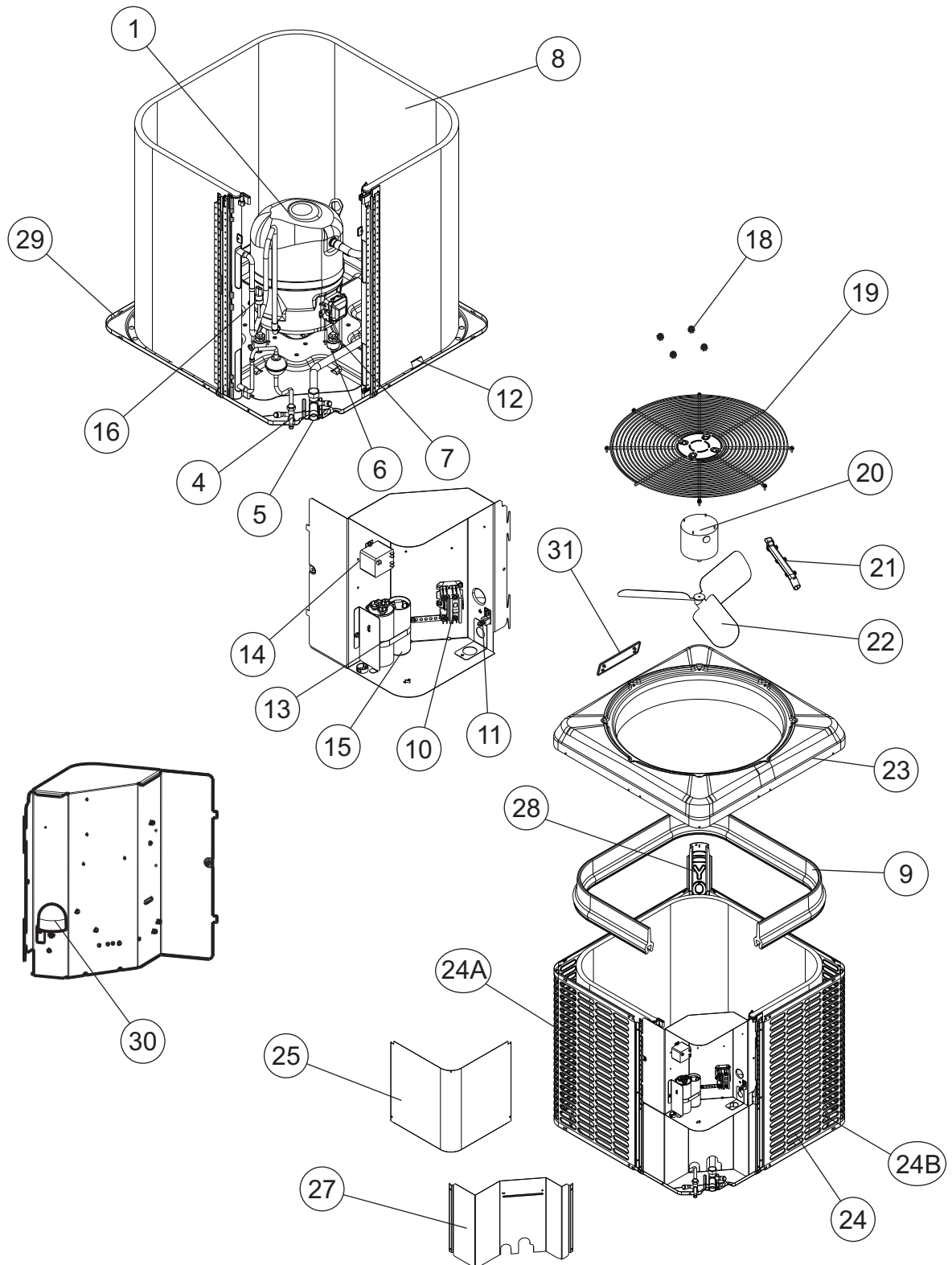
# YCE SERIES - MICROCHANNEL 14 SEER AIR CONDITIONER, R-410A (STYLE A)

HVAC SERVICE PARTS

Supersedes:035-24202-001 Rev. C (0316)

035-24202-001 Rev. D (0816)

1 of 4



ITEM	DESCRIPTION	YCE18B21HA	YCE24B21HA	YCE30B21HA	YCE36B21HA
1	Compressor	S1-01504785001	S1-01504781001	S1-01504782001	S1-01504783001
2*	Blanket, Compressor Sound	---	---	---	---
3	Filter Drier	S1-02647795000	S1-02647795000	S1-02647795000	S1-02647795000
4	Base Valve (3/8") (Liquid)	S1-02322459000	S1-02322459000	S1-02322459000	S1-02322459000
5	Base Valve (3/4") (Suction)	S1-02322460000	S1-02322460000	S1-02322460000	S1-02322460000
6	Compressor Mount (Pkg. of 4)	S1-02809519000	S1-02809519000	S1-02809519000	S1-02809519000
7	Bolt, Compressor (4 Req'd)	S1-02131417000	S1-02131417000	S1-02131417000	S1-02131417000
8	Outdoor Coil Assembly	S1-37339413001	S1-37339413002	S1-37339413002	S1-37339413003
9	Molded Foam, Outdoor Coil	S1-02817066000	S1-02817069000	S1-02817069000	S1-02817069000
10	Contactora (30 amp)	S1-02427531000	S1-02427531000	S1-02427531000	S1-02427531000
11	Lug, Ground	S1-02521798000	S1-02521798000	S1-02521798000	S1-02521798000
12	Mount, Coil (6 Req'd)	S1-02817063000	S1-02817063000	S1-02817063000	S1-02817063000
13	Dual Capacitor (30/5 MFD)	S1-02424778700	---	---	---
	Dual Capacitor (35/5 MFD)	---	S1-02425859700	S1-02425859700	---
	Dual Capacitor (45/5 MFD)	---	---	---	S1-02425120700
14	Relay, Start	S1-02425923700	S1-02425923700	S1-02425060000	S1-02425035000
15	Capacitor, Start	S1-02431993000	S1-02431993000	S1-02431993000	S1-02425076700
16	Switch, Pressure (High)	S1-02546848000	S1-02546848000	S1-02546848000	S1-02546848000
17*	Mount, Stand-off, Coil Guard(2 Req'd)	S1-02817062000	S1-02817062000	S1-02817062000	S1-02817062000
18	Kit, Motor Mounting (Acorn Nuts)	S1-36390117700	S1-36390117700	S1-36390117700	S1-36390117700
19	Guard, Fan	S1-02647768000	S1-02647769000	S1-02647769000	S1-02647769000
20	Motor, Fan	<b>S1-02436271000</b>	S1-02436228000	S1-02436228000	S1-02436227000
21	Wireway	S1-02816467000	S1-02816468000	S1-02816468000	S1-02816468000
22	Blade, Fan	S1-02642444000	S1-32634097000	S1-32634097000	S1-02634593000
23	Top	S1-07339395001	S1-07339395004	S1-07339395004	S1-07339395004
24	Panel, Coil Guard (2 Req'd)	S1-07339398001	S1-07339398003	S1-07339398003	S1-07339398005
25	Cover, Control Box	S1-07339400001	S1-07339400004	S1-07339400004	S1-07339400004
26	Box, Control	S1-07339396001	S1-07339396002	S1-07339396002	S1-07339396002
27	Panel, Block-Off	S1-07339399001	S1-07339399009	S1-07339399009	S1-07339399007
28	Post, Corner	S1-07339401002	S1-07339401001	S1-07339401001	S1-07339401003
29	Pan, Base	S1-07339397001	S1-07339397002	S1-07339397002	S1-07339397002
30	Gasket, Rain Guard	S1-02817106000	S1-02817106000	S1-02817106000	S1-02817106000
31	Badge, Branding	S1-02816476000	S1-02816476000	S1-02816476000	S1-02816476000
32*	Harness, Wire, AC	S1-02547245000	S1-02547245000	S1-02547245000	S1-02547245000
33*	Harness, Wire, Start Component	S1-02547246000	S1-02547246000	S1-02547246000	S1-02547246000
34*	Harness, Wiring (6 Pin)	S1-37320055004	---	---	---
35*	Harness, Compressor	S1-02531884000	S1-02531884000	S1-02531884000	S1-02531884000
36*	Wiring Diagram	1183564	1183564	1183564	1183564

<

**NOTE:** \*Not Shown  
 New replacement parts shown in **bold** face type at the first printing of parts list dated 8/16.  
 Major components and suggested stocking items are shown with shaded item number.  
 "<" Across from row indicates a change in that row. Changed part numbers are in red.  
 --- Not applicable to specified model.



ITEM	DESCRIPTION	YCE42B21HA	YCE48B21SA	YCE60B21SA
1	Compressor	S1-01504784001	S1-01504616004	S1-01504615004
2*	Blanket, Compressor Sound	S1-01007644000	---	---
3	Filter Drier	S1-02647795000	S1-02647795000	S1-02647795000
4	Base Valve (3/8") (Liquid)	S1-02322459000	S1-02322459000	S1-02322459000
5	Base Valve (7/8") (Suction)	S1-02322461000	S1-02322461000	S1-02322461000
6	Compressor Mount (Pkg. of 4)	S1-02810505000	S1-02810505000	S1-02810505000
7	Bolt, Compressor (4 Req'd)	S1-02131417000	S1-02116047000	S1-02116047000
8	Outdoor Coil Assembly	S1-37339413004	S1-37339413004	S1-37339413005
9	Molded Foam, Outdoor Coil	S1-02817072000	S1-02817072000	S1-02817075000
10	Contactora (30 amp)	S1-02427531000	---	---
	Contactora (40 amp)	---	S1-02425837700	S1-02425837700
11	Lug, Ground	S1-02521798000	S1-02521798000	S1-02521798000
12	Mount, Coil (6 Req'd)	S1-02817063000	S1-02817063000	S1-02817063000
13	Dual Capacitor (45/5 MFD)	S1-02425120700	---	---
	Dual Capacitor (70/5 MFD)	---	S1-02435844000	S1-02435844000
14	Relay, Start	S1-02425053000	---	---
15	Capacitor, Start	S1-02425076700	---	---
16	Switch, Pressure (High)	S1-02546848000	S1-02546848000	S1-02546848000
17*	Mount, Stand-off, Coil Guard(2 Req'd)	S1-02817062000	S1-02817062000	S1-02817062000
18	Kit, Motor Mounting (Acorn Nuts)	S1-36390117700	S1-36390117700	S1-36390117700
19	Guard, Fan	S1-02647770000	S1-02647770000	S1-02647771000
20	Motor, Fan	S1-02436227000	S1-02436227000	S1-02436227000
21	Wireway	S1-02816469000	S1-02816469000	S1-02816470000
22	Blade, Fan	S1-02631361000	S1-02631361000	S1-02647794000
23	Top	S1-07339395007	S1-07339395007	S1-07339395010
24A	Panel, Coil Guard (LH)	S1-07339398009	S1-07339398009	S1-07339398013
24B	Panel, Coil Guard (RH)	S1-07339398007	S1-07339398007	S1-07339398011
25	Cover, Control Box	S1-07339400004	S1-07339400004	S1-07339400004
26	Box, Control	S1-07339396002	S1-07339396002	S1-07339396002
27	Panel, Block-Off	S1-07339399005	S1-07339399005	S1-07339399007
28	Post, Corner	S1-07339401002	S1-07339401002	S1-07339401003
29	Pan, Base	S1-07339397003	S1-07339397003	S1-07339397004
30	Gasket, Rain Guard	S1-02817106000	S1-02817106000	S1-02817106000
31	Badge, Branding	S1-02816476000	S1-02816476000	S1-02816476000
32*	Harness, Wire, AC	S1-02547245000	S1-02547245000	S1-02547245000
33*	Harness, Wire, Start Component	S1-02547246000	---	---
34*	Harness, Wiring (6 Pin)	---	---	---
35*	Harness, Compressor	S1-02531884000	S1-02541088000	S1-02541088000
36*	Wiring Diagram	1183564	1183564	1183564
37*	Muffler, Discharge	S1-02212983000	---	---

**NOTE:** \*Not Shown  
New replacement parts shown in **bold** face type at the first printing of parts list dated 8/16.  
Major components and suggested stocking items are shown with shaded item number.  
"←" Across from row indicates a change in that row. Changed part numbers are in red.  
--- Not applicable to specified model.



**TO ORDER AUTHORIZED FACTORY REPLACEMENT PARTS** - Contact your Source1 HVAC Parts Distributor or visit our website at [www.Source1Parts.com](http://www.Source1Parts.com) for a Distributor and Dealer listing.