



www.Source1Parts.com

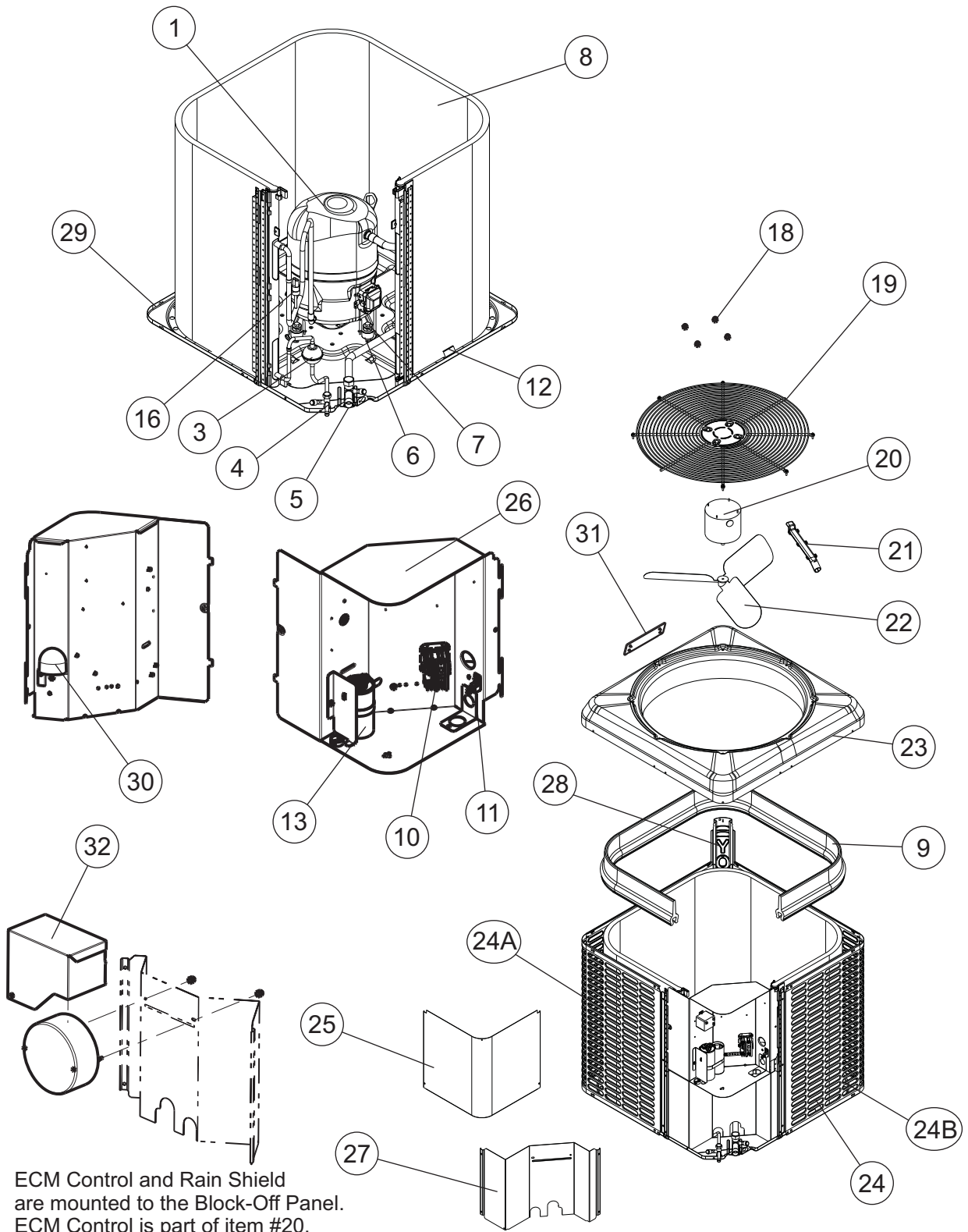
YCG SERIES - MICROCHANNEL 17 SEER AIR CONDITIONER - R410A (STYLE A)

HVAC SERVICE PARTS

Supersedes:035-24594-001 Rev. B (0316)

035-24594-001 Rev. C (0516)

1 of 4



ITEM	DESCRIPTION	YCG18B21SA	YCG24B21SA	YCG30B21SA	YCG36B21SA
1	Compressor	S1-01504818004	S1-01504832004	S1-01504833004	S1-01504618004
2*	Blanket, Compressor Sound	---	---	---	---
3	Filter Drier	S1-400503	S1-400503	S1-400503	S1-400503
4	Base Valve (3/8") (Liquid)	S1-02322459000	S1-02322459000	S1-02322459000	S1-02322459000
5	Base Valve (3/4") (Suction)	S1-02322460000	S1-02322460000	S1-02322460000	S1-02322460000
6	Compressor Mount (Pkg. of 4)	S1-02810581000	S1-02810581000	S1-02810581000	S1-02810581000
7	Bolt, Compressor (4 Req'd)	S1-02131425000	S1-02131425000	S1-02131425000	S1-02131425000
8	Outdoor Coil Assembly	S1-37339413002	S1-37339413002	S1-37339433002	S1-37339433002
9	Molded Foam, Outdoor Coil	S1-02817069000	S1-02817069000	S1-02817072000	S1-02817072000
10	Contactora (30 amp)	S1-02427531000	S1-02427531000	S1-02427531000	S1-02427531000
11	Lug, Ground	S1-02521798000	S1-02521798000	S1-02521798000	S1-02521798000
12	Mount, Coil (6 Req'd)	S1-02817063000	S1-02817063000	S1-02817063000	S1-02817063000
13	Dual Capacitor (40/5 MFD)	S1-02425893700	---	S1-02425893700	---
	Dual Capacitor (35/5 MFD)	---	S1-02423998700	---	---
	Dual Capacitor (45/5 MFD)	---	---	---	S1-02425895700
14					
15					
16	Switch, Pressure (High)	S1-02546848000	S1-02546848000	S1-02546848000	S1-02546848000
17*	Mount, Stand-off, Coil Guard (Qty. noted)	(2) S1-02817062000	(2) S1-02817062000	(4) S1-02817062000	(4) S1-02817062000
18	Kit, Motor Mounting (Acorn Nuts)	S1-36390117700	S1-36390117700	S1-36390117700	S1-36390117700
19	Guard, Fan	S1-02647769000	S1-02647769000	S1-02647770000	S1-02647770000
20	Motor, Fan	S1-02436325000	S1-02436325000	S1-02436324000	S1-02436324000
21	Wireway	S1-02816468000	S1-02816468000	S1-02816469000	S1-02816469000
22	Blade, Fan	S1-32634097000	S1-32634097000	S1-02642370000	S1-02642370000
23	Top	S1-07339395004	S1-07339395004	S1-07339395007	S1-07339395007
24	Panel, Coil Guard (2 Req'd)	S1-07339398003	S1-07339398003	---	---
24A	Panel, Coil Guard (LH)	---	---	S1-07339434010	S1-07339434010
24B	Panel, Coil Guard (RH)	---	---	S1-07339434008	S1-07339434008
25	Cover, Control Box	S1-07339400004	S1-07339400004	S1-07339400004	S1-07339400004
26	Box, Control	S1-07339396002	S1-07339396002	S1-07339396002	S1-07339396002
27	Panel, Block-Off	S1-07339399009	S1-07339399009	S1-07339399007	S1-07339399007
28	Post, Corner	S1-07339401001	S1-07339401001	S1-07339401003	S1-07339401003
29	Pan, Base	S1-07339397002	S1-07339397002	S1-07339397003	S1-07339397003
30	Gasket, Rain Guard	S1-02817106000	S1-02817106000	S1-02817106000	S1-02817106000
31	Badge, Branding	S1-02816476000	S1-02816476000	S1-02816476000	S1-02816476000
32	Shield, Rain, ECM	S1-07339432001	S1-07339432001	S1-07339432001	S1-07339432001
33*	Harness, Wire, AC	S1-02547245000	S1-02547245000	S1-02547245000	S1-02547245000
34*	Switch, Pressure (Low)	S1-02436313000	S1-02436313000	S1-02436313000	S1-02436313000
35					
36*	Harness, Compressor	S1-02541088000	S1-02541088000	S1-02541088000	S1-02541088000
37*	Wiring Diagram	5160254	5160254	5160254	5160254

NOTE: *Not ShownNew replacement parts shown in **bold** face type at the first printing of parts list dated 5/16.

Major components and suggested stocking items are shown with shaded item number.

"←" Across from row indicates a change in that row. Changed part numbers are in red.

--- Not applicable to specified model.



ITEM	DESCRIPTION	YCG42B21SA	YCG48B21SA	YCG60B21SA
1	Compressor	S1-01504627004	S1-01504834004	S1-01504852004
2*	Blanket, Compressor Sound	S1-01007646000	S1-01007646000	---
3	Filter Drier	S1-400503	S1-400503	S1-400503
4	Base Valve (3/8") (Liquid)	S1-02322459000	S1-02322459000	S1-02322459000
5	Base Valve (7/8") (Suction)	S1-02322461000	S1-02322461000	S1-02322461000
6	Compressor Mount (Pkg. of 4)	S1-02810505000	S1-02810505000	S1-02810505000
7	Bolt, Compressor (4 Req'd)	S1-02116047000	S1-02116047000	S1-02116047000
8	Outdoor Coil Assembly	S1-37339433003	S1-37339433003	S1-37339433001
9	Molded Foam, Outdoor Coil	S1-02817075000	S1-02817075000	S1-02817075000
10	Contactors (30 amp)	S1-02427531000	S1-02427531000	---
	Contactors (40 amp)	---	---	S1-02425837700
11	Lug, Ground	S1-02521798000	S1-02521798000	S1-02521798000
12	Mount, Coil (8 Req'd)	S1-02817063000	S1-02817063000	S1-02817063000
13	Dual Capacitor (45/5 MFD)	S1-02425895700	S1-02425895700	---
	Dual Capacitor (70/5 MFD)	---	---	S1-02435844000
14				
15				
16	Switch, Pressure (High)	S1-02546848000	S1-02546848000	S1-02546848000
17*	Mount, Stand-off, Coil Guard (4 Req'd)	S1-02817062000	S1-02817062000	S1-02817062000
18	Kit, Motor Mounting (Acorn Nuts)	S1-36390117700	S1-36390117700	S1-36390117700
19	Guard, Fan	S1-02647771000	S1-02647771000	S1-02647771000
20	Motor, Fan	S1-02436323000	S1-02436323000	S1-02436329000
21	Wireway	S1-02816470000	S1-02816470000	S1-02816470000
22	Blade, Fan	S1-02649676000	S1-02649676000	S1-02649677000
23	Top	S1-07339395010	S1-07339395010	S1-07339395010
24A	Panel, Coil Guard (LH)	S1-07339398030	S1-07339398030	S1-07339425005
24B	Panel, Coil Guard (RH)	S1-07339398028	S1-07339398028	S1-07339425004
25	Cover, Control Box	S1-07339400004	S1-07339400004	S1-07339400004
26	Box, Control	S1-07339396002	S1-07339396002	S1-07339396002
27	Panel, Block-Off	S1-07339399015	S1-07339399015	S1-07339430001
28	Post, Corner	S1-07339401010	S1-07339401010	S1-07339431001
29	Pan, Base	S1-07339397004	S1-07339397004	S1-07339397004
30	Gasket, Rain Guard	S1-02817106000	S1-02817106000	S1-02817106000
31	Badge, Branding	S1-02816476000	S1-02816476000	S1-02816476000
32	Shield, Rain, ECM	S1-07339432001	S1-07339432001	S1-07339432001
33*	Harness, Wire, AC	S1-02547245000	S1-02547245000	S1-02547245000
34*	Switch, Pressure (Low)	S1-02436313000	S1-02436313000	S1-02436313000
35*	Dampener, Discharge Line	---	---	S1-02817125000
36*	Harness, Compressor	S1-02541088000	S1-02541088000	S1-02541088000
37*	Wiring Diagram	5160254	5160254	5160254

NOTE: *Not ShownNew replacement parts shown in **bold** face type at the first printing of parts list dated 5/16.

Major components and suggested stocking items are shown with shaded item number.

"←" Across from row indicates a change in that row. Changed part numbers are in red.

--- Not applicable to specified model.

TO ORDER AUTHORIZED FACTORY REPLACEMENT PARTS - Contact your Source1 HVAC Parts Distributor or visit our website at www.Source1Parts.com for a Distributor and Dealer listing.

Subject to change without notice. Published in U.S.A.
Copyright © 2016 by Johnson Controls Inc. All rights reserved.

035-24594-001 Rev. C (0516)
Supersedes: 035-24594-001 Rev. B (0316)

York International Corp.
5005 York Drive
Norman, OK 73069