



Submittal Data Sheet

R-32 SkyAir 1.5 T Heat Pump Single Zone

RZA18AAVJU

FEATURES

- Inverter technology delivers precise temperature control and superior energy efficiency
- Air Conditioning Only option with switch on board
- Compact 34-1/4" height on all tonnages
- Easy Retrofit with same pipe sizing as prior models

BENEFITS

- 10 year limited parts and compressor warranty
- Optional Drain Pan Heater





Submittal Data Sheet

R-32 SkyAir 1.5 T Heat Pump Single Zone

RZA18AAVJU

PERFORMANCE

Outdoor Unit Model No.	RZA18AAVJU	Outdoor Unit Name:	R-32 SkyAir 1.5 T Heat Pump Single Zone
Type:	Heat Pump		
Rated Cooling Conditions:	Indoor (°F DB/DB): 80 / 67 Ambient (°F DB/WB): 95 /	Rated Heating Conditions:	Indoor (°F DB/WB): 70 / 60 Ambient (°F DB/WB): 47 / 43
Rated Piping Length(ft):	25	Rated Height Difference (ft):	0.00
Rated Cooling Capacity (Btu/hr):		Rated Heating Capacity (Btu/hr):	
Cooling Input Power (kW):		Heating Input Power (kW):	
EER2 (Non-Ducted/Ducted):		HSPF2 (Non-Ducted/Ducted):	
SEER2 (Non-Ducted/Ducted):			
Max/Min Cooling Capacity (Btu/hr):		Max/Min Heating Capacity (Btu/hr):	

OUTDOOR UNIT DETAILS

Power Supply (V/Hz/Ph):	208-230 / 60 / 1	Compressor Stage:	Inverter
Power Supply Connections:	H1, H2	Capacity Control Range (%):	-
Min. Circuit Amps MCA (A):	19.8	Airflow Rate (H) (CFM):	3000
Max Overcurrent Protection (MOP) (A):	20	Gas Pipe Connection (inch):	5/8
Max Starting Current MSC(A):		Liquid Pipe Connection (inch):	3/8
Rated Load Amps RLA(A):		Sound Pressure (H) (dBA):	56
Dimensions (HxWxD) (in):	34-1/4 x 43-5/16 x 18-1/8	Sound Power Level (dBA):	
Net Weight (lb):	234		

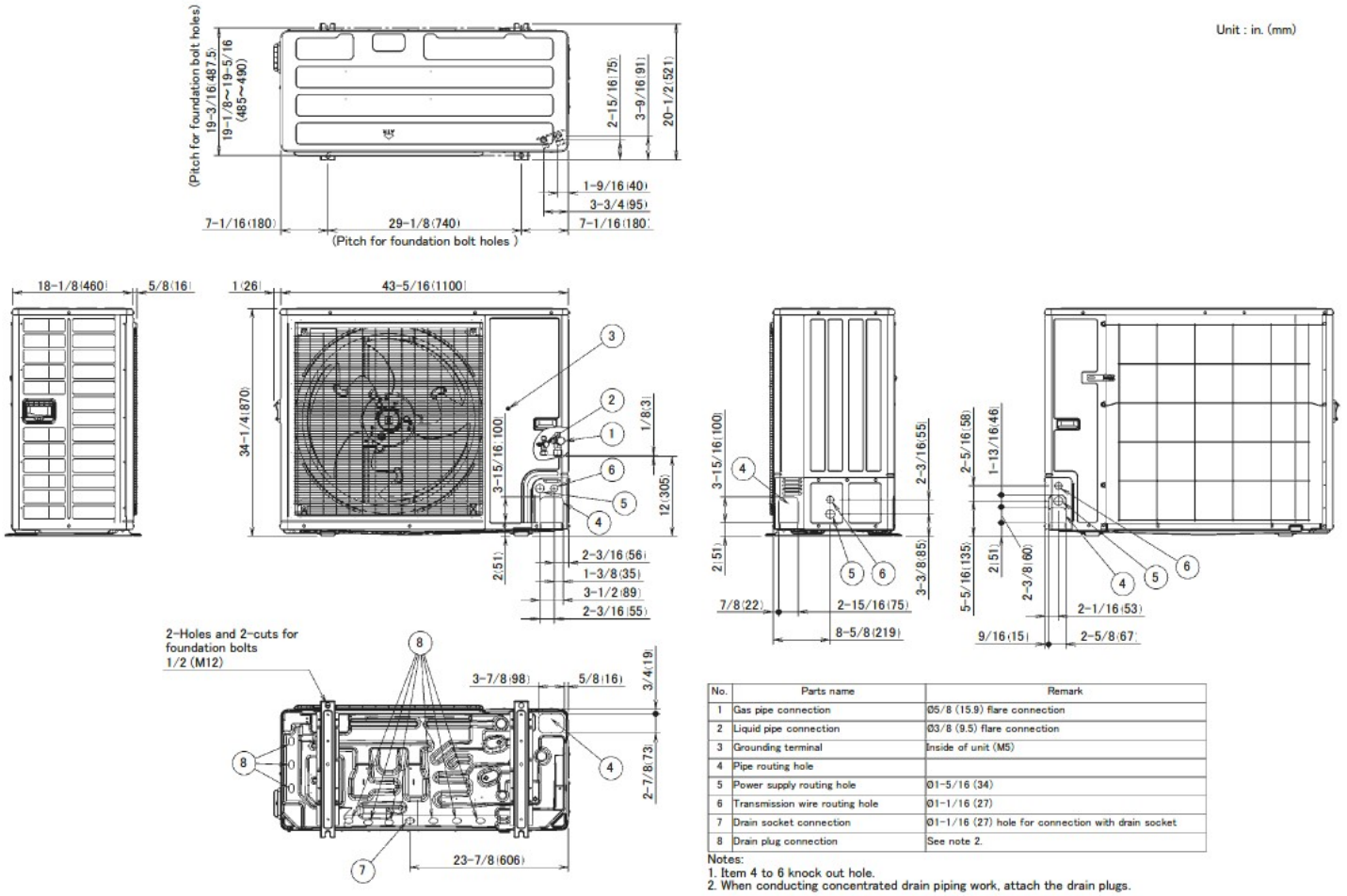
Submittal Data Sheet

R-32 SkyAir 1.5 T Heat Pump Single Zone
RZA18AAVJU

SYSTEM DETAILS

Refrigerant Type:	R-32	Cooling Operation Range (°F DB):	23 - 122
Holding Refrigerant Charge (lbs):	7.5	Heating Operation Range (°F WB):	-4 - 60
Additional Charge (oz/ft):		Max. Pipe Length (Vertical) (ft):	98
Pre-charge Piping (Length) (ft):	25	Cooling Range w/Baffle (°F DB):	-
Max. Pipe Length (Total) (ft):	230		
Max Height Separation (Ind to Ind ft):	0		

DIMENSIONAL DRAWING





Submittal Data Sheet

R-32 SkyAir 1.5 T Heat Pump Single Zone

RZA18AAVJU

ACCESSORIES

PART NUMBER	DESCRIPTION	INCLUDED
-------------	-------------	----------

BRP2A82	ABC Terminal for VRV IV S	No
---------	---------------------------	----

KEH042A41A	Drain Pan heater for single phase VRVs and SkyAir	No
------------	---	----

KPW082A41	Air direction adjustment grille	No
-----------	---------------------------------	----

KRC19-26A6	COOL/HEAT SELECTOR	No
------------	--------------------	----



Submittal Data Sheet

R-32 SkyAir 2.0 T Heat Pump Single Zone

RZA24AAVJU

FEATURES

- Inverter technology delivers precise temperature control and superior energy efficiency
- Air Conditioning Only option with switch on board
- Compact 34-1/4" height on all tonnages
- Easy Retrofit with same pipe sizing as prior models

BENEFITS

- 10 year limited parts and compressor warranty
- Optional Drain Pan Heater





Submittal Data Sheet

R-32 SkyAir 2.0 T Heat Pump Single Zone

RZA24AAVJU

PERFORMANCE

Outdoor Unit Model No.	RZA24AAVJU	Outdoor Unit Name:	R-32 SkyAir 2.0 T Heat Pump Single Zone
Type:	Heat Pump		
Rated Cooling Conditions:	Indoor (°F DB/DB): 80 / 67 Ambient (°F DB/WB): 95 /	Rated Heating Conditions:	Indoor (°F DB/WB): 70 / 60 Ambient (°F DB/WB): 47 / 43
Rated Piping Length(ft):	25	Rated Height Difference (ft):	0.00
Rated Cooling Capacity (Btu/hr):		Rated Heating Capacity (Btu/hr):	
Cooling Input Power (kW):		Heating Input Power (kW):	
EER2 (Non-Ducted/Ducted):		HSPF2 (Non-Ducted/Ducted):	
SEER2 (Non-Ducted/Ducted):			
Max/Min Cooling Capacity (Btu/hr):		Max/Min Heating Capacity (Btu/hr):	

OUTDOOR UNIT DETAILS

Power Supply (V/Hz/Ph):	208-230 / 60 / 1	Compressor Stage:	Inverter
Power Supply Connections:	H1, H2	Capacity Control Range (%):	-
Min. Circuit Amps MCA (A):	19.8	Airflow Rate (H) (CFM):	3000
Max Overcurrent Protection (MOP) (A):	20	Gas Pipe Connection (inch):	5/8
Max Starting Current MSC(A):		Liquid Pipe Connection (inch):	3/8
Rated Load Amps RLA(A):		Sound Pressure (H) (dBA):	56
Dimensions (HxWxD) (in):	34-1/4 x 43-5/16 x 18-1/8	Sound Power Level (dBA):	
Net Weight (lb):	234		

Submittal Data Sheet

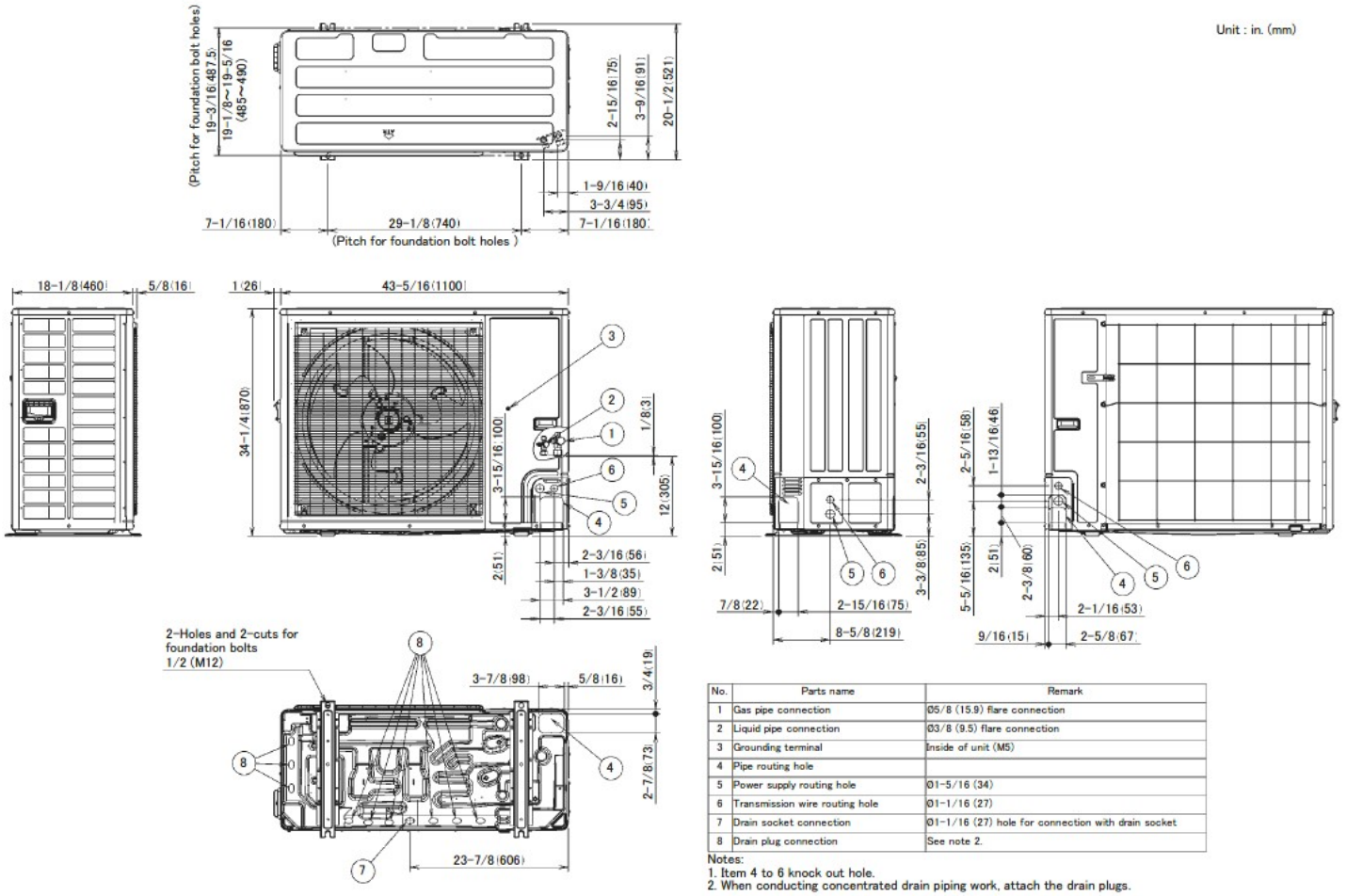
R-32 SkyAir 2.0 T Heat Pump Single Zone

RZA24AAVJU

SYSTEM DETAILS

Refrigerant Type:	R-32	Cooling Operation Range (°F DB):	23 - 122
Holding Refrigerant Charge (lbs):	7.5	Heating Operation Range (°F WB):	-4 - 60
Additional Charge (oz/ft):		Max. Pipe Length (Vertical) (ft):	98
Pre-charge Piping (Length) (ft):	25	Cooling Range w/Baffle (°F DB):	-
Max. Pipe Length (Total) (ft):	230		
Max Height Separation (Ind to Ind) (ft):	0		

DIMENSIONAL DRAWING





Submittal Data Sheet

R-32 SkyAir 2.0 T Heat Pump Single Zone

RZA24AAVJU

ACCESSORIES

PART NUMBER	DESCRIPTION	INCLUDED
-------------	-------------	----------

BRP2A82	ABC Terminal for VRV IV S	No
---------	---------------------------	----

KEH042A41A	Drain Pan heater for single phase VRVs and SkyAir	No
------------	---	----

KPW082A41	Air direction adjustment grille	No
-----------	---------------------------------	----

KRC19-26A6	COOL/HEAT SELECTOR	No
------------	--------------------	----



Submittal Data Sheet

R-32 SkyAir 2.5 T Heat Pump Single Zone

RZA30AAVJU

FEATURES

- Inverter technology delivers precise temperature control and superior energy efficiency
- Air Conditioning Only option with switch on board
- Compact 34-1/4" height on all tonnages
- Easy Retrofit with same pipe sizing as prior models

BENEFITS

- 10 year limited parts and compressor warranty
- Optional Drain Pan Heater





Submittal Data Sheet

R-32 SkyAir 2.5 T Heat Pump Single Zone

RZA30AAVJU

PERFORMANCE

Outdoor Unit Model No.	RZA30AAVJU	Outdoor Unit Name:	R-32 SkyAir 2.5 T Heat Pump Single Zone
Type:	Heat Pump		
Rated Cooling Conditions:	Indoor (°F DB/DB): 80 / 67 Ambient (°F DB/WB): 95 /	Rated Heating Conditions:	Indoor (°F DB/WB): 70 / 60 Ambient (°F DB/WB): 47 / 43
Rated Piping Length(ft):	25	Rated Height Difference (ft):	0.00
Rated Cooling Capacity (Btu/hr):		Rated Heating Capacity (Btu/hr):	
Cooling Input Power (kW):		Heating Input Power (kW):	
EER2 (Non-Ducted/Ducted):		HSPF2 (Non-Ducted/Ducted):	
SEER2 (Non-Ducted/Ducted):			
Max/Min Cooling Capacity (Btu/hr):		Max/Min Heating Capacity (Btu/hr):	

OUTDOOR UNIT DETAILS

Power Supply (V/Hz/Ph):	208-230 / 60 / 1	Compressor Stage:	Inverter
Power Supply Connections:	H1, H2	Capacity Control Range (%):	-
Min. Circuit Amps MCA (A):	34.6	Airflow Rate (H) (CFM):	3000
Max Overcurrent Protection (MOP) (A):	35	Gas Pipe Connection (inch):	5/8
Max Starting Current MSC(A):		Liquid Pipe Connection (inch):	3/8
Rated Load Amps RLA(A):		Sound Pressure (H) (dBA):	56
Dimensions (HxWxD) (in):	34-1/4 x 43-5/16 x 18-1/8	Sound Power Level (dBA):	
Net Weight (lb):	234		

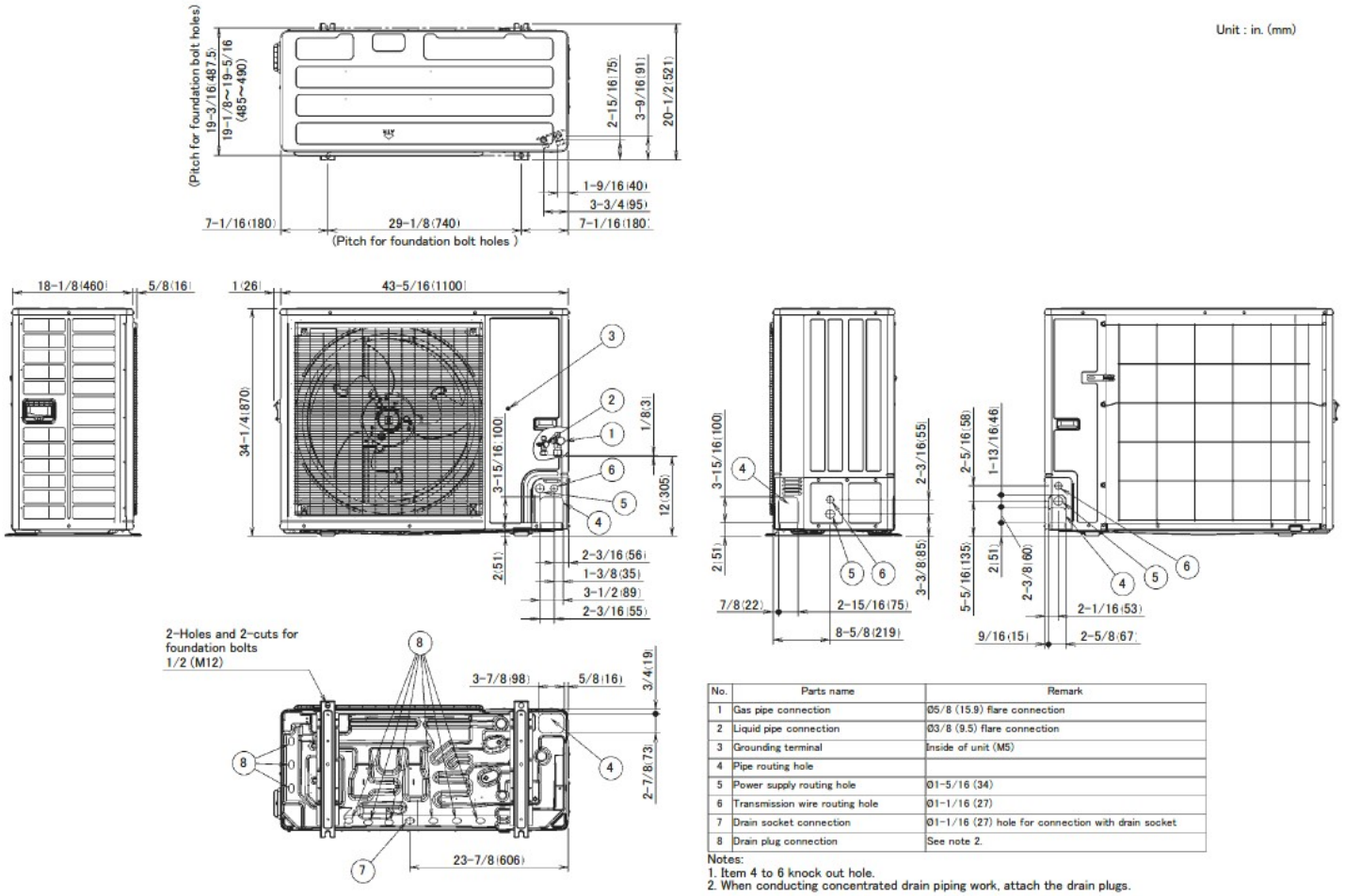
Submittal Data Sheet

R-32 SkyAir 2.5 T Heat Pump Single Zone
RZA30AAVJU

SYSTEM DETAILS

Refrigerant Type:	R-32	Cooling Operation Range (°F DB):	23 - 122
Holding Refrigerant Charge (lbs):	7.5	Heating Operation Range (°F WB):	-4 - 60
Additional Charge (oz/ft):		Max. Pipe Length (Vertical) (ft):	98
Pre-charge Piping (Length) (ft):	25	Cooling Range w/Baffle (°F DB):	-
Max. Pipe Length (Total) (ft):	230		
Max Height Separation (Ind to Ind) (ft):	0		

DIMENSIONAL DRAWING





Submittal Data Sheet

R-32 SkyAir 2.5 T Heat Pump Single Zone

RZA30AAVJU

ACCESSORIES

PART NUMBER	DESCRIPTION	INCLUDED
-------------	-------------	----------

BRP2A82	ABC Terminal for VRV IV S	No
---------	---------------------------	----

KEH042A41A	Drain Pan heater for single phase VRVs and SkyAir	No
------------	---	----

KPW082A41	Air direction adjustment grille	No
-----------	---------------------------------	----

KRC19-26A6	COOL/HEAT SELECTOR	No
------------	--------------------	----



Submittal Data Sheet

R-32 SkyAir 3.0 T Heat Pump Single Zone

RZA36AAVJU

FEATURES

- Inverter technology delivers precise temperature control and superior energy efficiency
- Air Conditioning Only option with switch on board
- Compact 34-1/4" height on all tonnages
- Easy Retrofit with same pipe sizing as prior models

BENEFITS

- 10 year limited parts and compressor warranty
- Optional Drain Pan Heater





Submittal Data Sheet

R-32 SkyAir 3.0 T Heat Pump Single Zone

RZA36AAVJU

PERFORMANCE

Outdoor Unit Model No.	RZA36AAVJU	Outdoor Unit Name:	R-32 SkyAir 3.0 T Heat Pump Single Zone
Type:	Heat Pump		
Rated Cooling Conditions:	Indoor (°F DB/DB): 80 / 67 Ambient (°F DB/WB): 95 /	Rated Heating Conditions:	Indoor (°F DB/WB): 70 / 60 Ambient (°F DB/WB): 47 / 43
Rated Piping Length(ft):	25	Rated Height Difference (ft):	0.00
Rated Cooling Capacity (Btu/hr):		Rated Heating Capacity (Btu/hr):	
Cooling Input Power (kW):		Heating Input Power (kW):	
EER2 (Non-Ducted/Ducted):		HSPF2 (Non-Ducted/Ducted):	
SEER2 (Non-Ducted/Ducted):			
Max/Min Cooling Capacity (Btu/hr):		Max/Min Heating Capacity (Btu/hr):	

OUTDOOR UNIT DETAILS

Power Supply (V/Hz/Ph):	208-230 / 60 / 1	Compressor Stage:	Inverter
Power Supply Connections:	H1, H2	Capacity Control Range (%):	-
Min. Circuit Amps MCA (A):	34.6	Airflow Rate (H) (CFM):	3000
Max Overcurrent Protection (MOP) (A):	35	Gas Pipe Connection (inch):	5/8
Max Starting Current MSC(A):		Liquid Pipe Connection (inch):	3/8
Rated Load Amps RLA(A):		Sound Pressure (H) (dBA):	56
Dimensions (HxWxD) (in):	34-1/4 x 43-5/16 x 18-1/8	Sound Power Level (dBA):	
Net Weight (lb):	234		

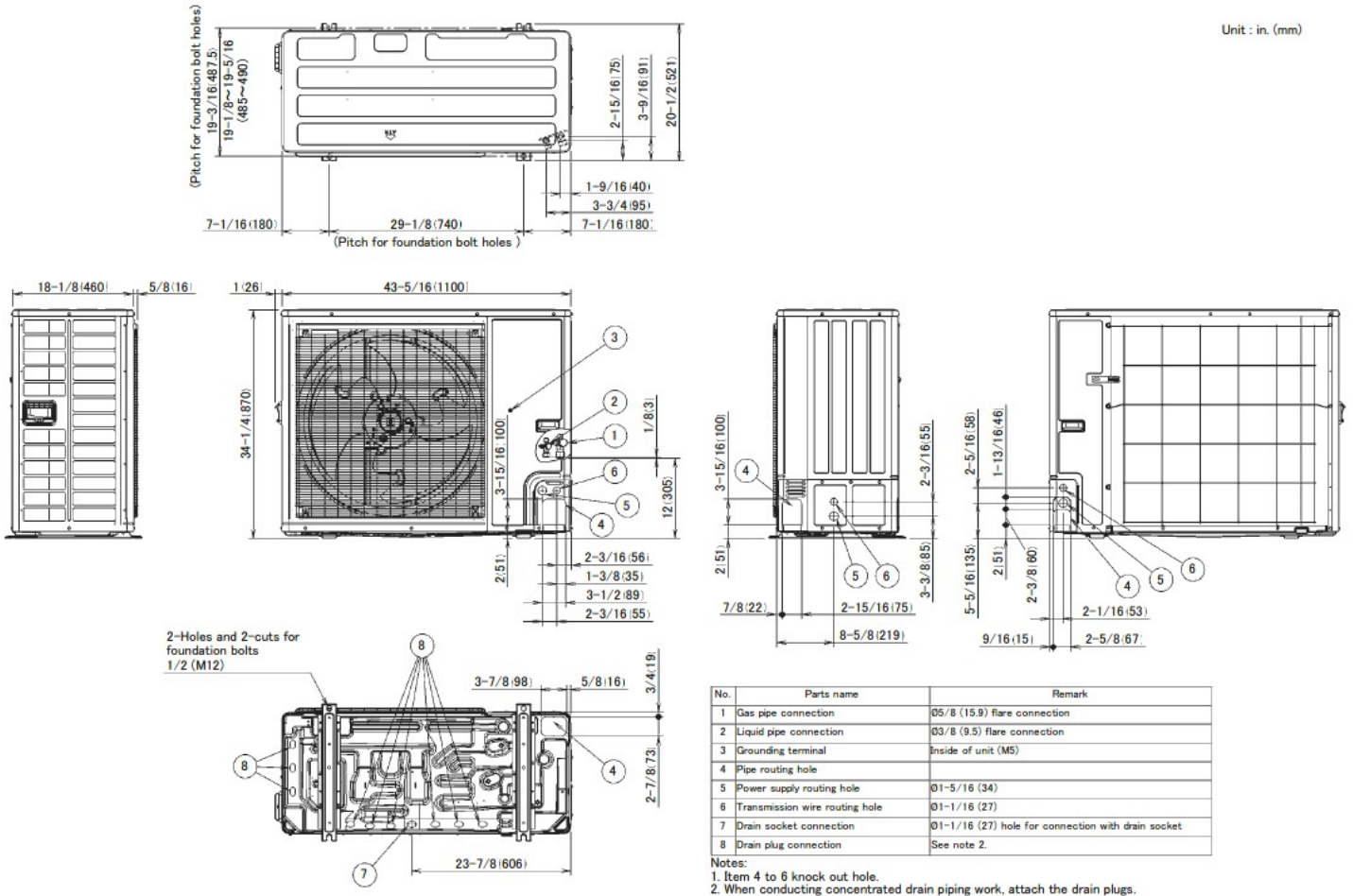
Submittal Data Sheet

R-32 SkyAir 3.0 T Heat Pump Single Zone
RZA36AAVJU

SYSTEM DETAILS

Refrigerant Type:	R-32	Cooling Operation Range (°F DB):	23 - 122
Holding Refrigerant Charge (lbs):	7.5	Heating Operation Range (°F WB):	-4 - 60
Additional Charge (oz/ft):		Max. Pipe Length (Vertical) (ft):	98
Pre-charge Piping (Length) (ft):	25	Cooling Range w/Baffle (°F DB):	-
Max. Pipe Length (Total) (ft):	230		
Max Height Separation (Ind to Ind) (ft):	0		

DIMENSIONAL DRAWING



No.	Parts name	Remark
1	Gas pipe connection	05/8 (15.9) flare connection
2	Liquid pipe connection	03/8 (9.5) flare connection
3	Grounding terminal	Inside of unit (M5)
4	Pipe routing hole	
5	Power supply routing hole	Ø1-5/16 (34)
6	Transmission wire routing hole	Ø1-1/16 (27)
7	Drain socket connection	Ø1-1/16 (27) hole for connection with drain socket
8	Drain plug connection	See note 2.



Submittal Data Sheet

R-32 SkyAir 3.0 T Heat Pump Single Zone

RZA36AAVJU

ACCESSORIES

PART NUMBER	DESCRIPTION	INCLUDED
-------------	-------------	----------

BRP2A82	ABC Terminal for VRV IV S	No
---------	---------------------------	----

KEH042A41A	Drain Pan heater for single phase VRVs and SkyAir	No
------------	---	----

KPW082A41	Air direction adjustment grille	No
-----------	---------------------------------	----

KRC19-26A6	COOL/HEAT SELECTOR	No
------------	--------------------	----



Submittal Data Sheet

R-32 SkyAir 3.5 T Heat Pump Single Zone

RZA42AAVJU

FEATURES

- Inverter technology delivers precise temperature control and superior energy efficiency
- Air Conditioning Only option with switch on board
- Compact 34-1/4" height on all tonnages
- Easy Retrofit with same pipe sizing as prior models

BENEFITS

- 10 year limited parts and compressor warranty
- Optional Drain Pan Heater





Submittal Data Sheet

R-32 SkyAir 3.5 T Heat Pump Single Zone

RZA42AAVJU

PERFORMANCE

Outdoor Unit Model No.	RZA42AAVJU	Outdoor Unit Name:	R-32 SkyAir 3.5 T Heat Pump Single Zone
Type:	Heat Pump		
Rated Cooling Conditions:	Indoor (°F DB/DB): 80 / 67 Ambient (°F DB/WB): 95 /	Rated Heating Conditions:	Indoor (°F DB/WB): 70 / 60 Ambient (°F DB/WB): 47 / 43
Rated Piping Length(ft):	25	Rated Height Difference (ft):	0.00
Rated Cooling Capacity (Btu/hr):		Rated Heating Capacity (Btu/hr):	
Cooling Input Power (kW):		Heating Input Power (kW):	
EER2 (Non-Ducted/Ducted):		HSPF2 (Non-Ducted/Ducted):	
SEER2 (Non-Ducted/Ducted):			
Max/Min Cooling Capacity (Btu/hr):		Max/Min Heating Capacity (Btu/hr):	

OUTDOOR UNIT DETAILS

Power Supply (V/Hz/Ph):	208-230 / 60 / 1	Compressor Stage:	Inverter
Power Supply Connections:	H1, H2	Capacity Control Range (%):	-
Min. Circuit Amps MCA (A):	34.6	Airflow Rate (H) (CFM):	3000
Max Overcurrent Protection (MOP) (A):	35	Gas Pipe Connection (inch):	5/8
Max Starting Current MSC(A):		Liquid Pipe Connection (inch):	3/8
Rated Load Amps RLA(A):		Sound Pressure (H) (dBA):	56
Dimensions (HxWxD) (in):	34-1/4 x 43-5/16 x 18-1/8	Sound Power Level (dBA):	
Net Weight (lb):	234		

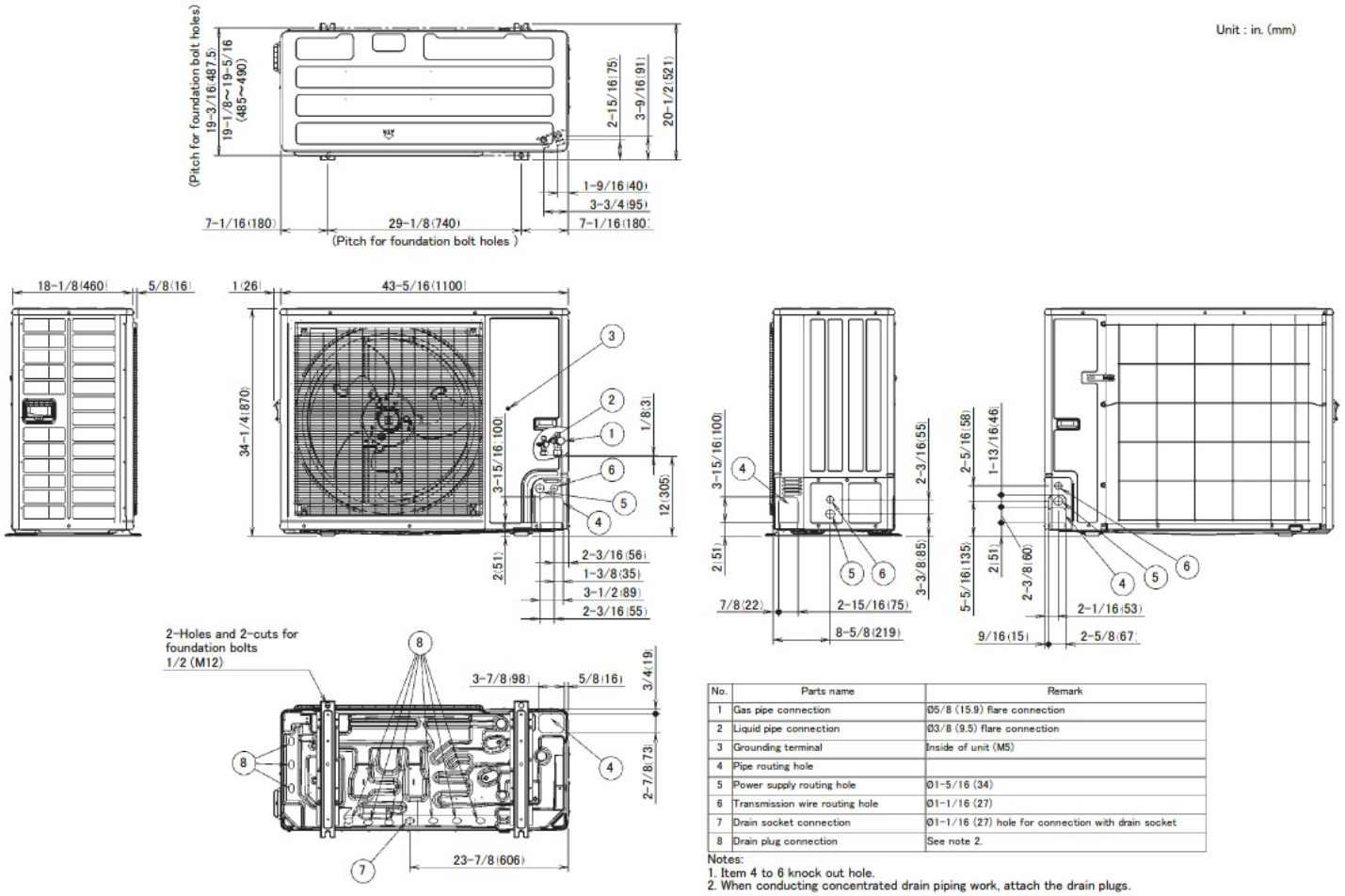
Submittal Data Sheet

R-32 SkyAir 3.5 T Heat Pump Single Zone
RZA42AAVJU

SYSTEM DETAILS

Refrigerant Type:	R-32	Cooling Operation Range (°F DB):	23 - 122
Holding Refrigerant Charge (lbs):	7.5	Heating Operation Range (°F WB):	-4 - 60
Additional Charge (oz/ft):		Max. Pipe Length (Vertical) (ft):	98
Pre-charge Piping (Length) (ft):	25	Cooling Range w/Baffle (°F DB):	-
Max. Pipe Length (Total) (ft):	230		
Max Height Separation (Ind to Ind) (ft):	0		

DIMENSIONAL DRAWING





Submittal Data Sheet

R-32 SkyAir 3.5 T Heat Pump Single Zone

RZA42AAVJU

ACCESSORIES

PART NUMBER	DESCRIPTION	INCLUDED
-------------	-------------	----------

BRP2A82	ABC Terminal for VRV IV S	No
---------	---------------------------	----

KEH042A41A	Drain Pan heater for single phase VRVs and SkyAir	No
------------	---	----

KPW082A41	Air direction adjustment grille	No
-----------	---------------------------------	----

KRC19-26A6	COOL/HEAT SELECTOR	No
------------	--------------------	----



Submittal Data Sheet

R-32 SkyAir 4.0 T Heat Pump Single Zone

RZA48AAVJU

FEATURES

- Inverter technology delivers precise temperature control and superior energy efficiency
- Air Conditioning Only option with switch on board
- Compact 34-1/4" height on all tonnages
- Easy Retrofit with same pipe sizing as prior models

BENEFITS

- 10 year limited parts and compressor warranty
- Optional Drain Pan Heater





Submittal Data Sheet

R-32 SkyAir 4.0 T Heat Pump Single Zone

RZA48AAVJU

PERFORMANCE

Outdoor Unit Model No.	RZA48AAVJU	Outdoor Unit Name:	R-32 SkyAir 4.0 T Heat Pump Single Zone
Type:	Heat Pump		
Rated Cooling Conditions:	Indoor (°F DB/DB): 80 / 67 Ambient (°F DB/WB): 95 /	Rated Heating Conditions:	Indoor (°F DB/WB): 70 / 60 Ambient (°F DB/WB): 47 / 43
Rated Piping Length(ft):	25	Rated Height Difference (ft):	0.00
Rated Cooling Capacity (Btu/hr):		Rated Heating Capacity (Btu/hr):	
Cooling Input Power (kW):		Heating Input Power (kW):	
EER2 (Non-Ducted/Ducted):		HSPF2 (Non-Ducted/Ducted):	
SEER2 (Non-Ducted/Ducted):			
Max/Min Cooling Capacity (Btu/hr):		Max/Min Heating Capacity (Btu/hr):	

OUTDOOR UNIT DETAILS

Power Supply (V/Hz/Ph):	208-230 / 60 / 1	Compressor Stage:	Inverter
Power Supply Connections:	H1, H2	Capacity Control Range (%):	-
Min. Circuit Amps MCA (A):	34.6	Airflow Rate (H) (CFM):	3000
Max Overcurrent Protection (MOP) (A):	35	Gas Pipe Connection (inch):	5/8
Max Starting Current MSC(A):		Liquid Pipe Connection (inch):	3/8
Rated Load Amps RLA(A):		Sound Pressure (H) (dBA):	56
Dimensions (HxWxD) (in):	34-1/4 x 43-5/16 x 18-1/8	Sound Power Level (dBA):	
Net Weight (lb):	234		

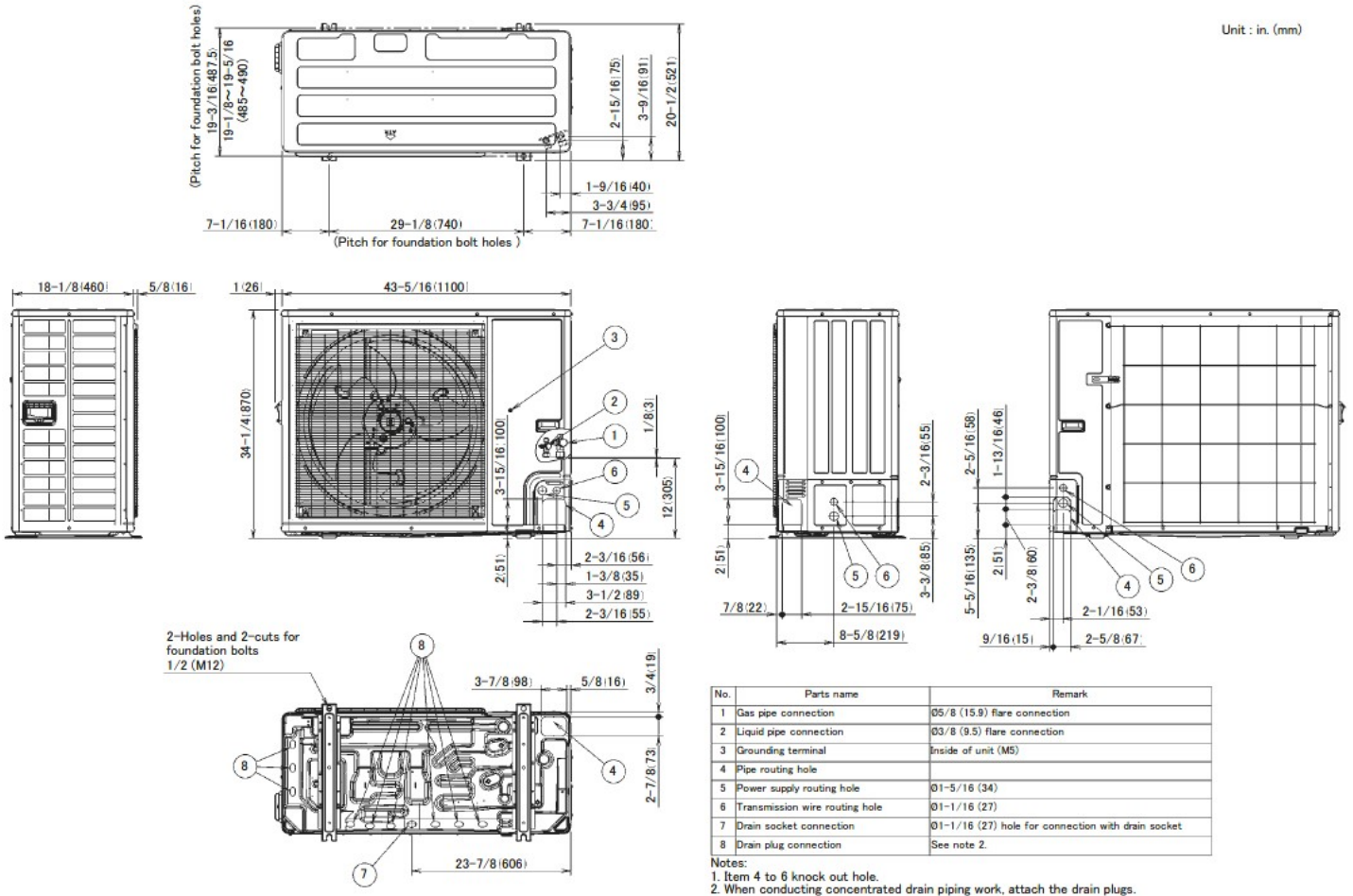
Submittal Data Sheet

R-32 SkyAir 4.0 T Heat Pump Single Zone
RZA48AAVJU

SYSTEM DETAILS

Refrigerant Type:	R-32	Cooling Operation Range (°F DB):	23 - 122
Holding Refrigerant Charge (lbs):	7.5	Heating Operation Range (°F WB):	-4 - 60
Additional Charge (oz/ft):		Max. Pipe Length (Vertical) (ft):	98
Pre-charge Piping (Length) (ft):	25	Cooling Range w/Baffle (°F DB):	-
Max. Pipe Length (Total) (ft):	230		
Max Height Separation (Ind to Ind ft):	0		

DIMENSIONAL DRAWING



No.	Parts name	Remark
1	Gas pipe connection	05/8 (15.9) flare connection
2	Liquid pipe connection	03/8 (9.5) flare connection
3	Grounding terminal	Inside of unit (M5)
4	Pipe routing hole	
5	Power supply routing hole	Ø1-5/16 (34)
6	Transmission wire routing hole	Ø1-1/16 (27)
7	Drain socket connection	Ø1-1/16 (27) hole for connection with drain socket
8	Drain plug connection	See note 2.



Submittal Data Sheet

R-32 SkyAir 4.0 T Heat Pump Single Zone

RZA48AAVJU

ACCESSORIES

PART NUMBER	DESCRIPTION	INCLUDED
-------------	-------------	----------

BRP2A82	ABC Terminal for VRV IV S	No
---------	---------------------------	----

KEH042A41A	Drain Pan heater for single phase VRVs and SkyAir	No
------------	---	----

KPW082A41	Air direction adjustment grille	No
-----------	---------------------------------	----

KRC19-26A6	COOL/HEAT SELECTOR	No
------------	--------------------	----