

Job Name:	
Tag#	



Submittal Data Sheet	FTK09AXVJU / RK09AXVJU
0.75-Ton Wall Mounted Cooling Only System	



Efficiency	
Cooling	
SEER	19
EER	12.5

Performance	
Cooling (Btu/hr)	
Rated (Min/Max)	8,900 (4,400 / 10,200)
Sensible @ AHRI	8,040
Moisture Removal gal/h	.08
Standard Operating Range	50°F – 115°F
Extended Operating Range*	-4°F – 115°F
Rated Cooling Conditions: Indoor: 80°F DB/67°F WB Outdoor: 95°F DB/75°F WB	
*With field settings and wind baffle	

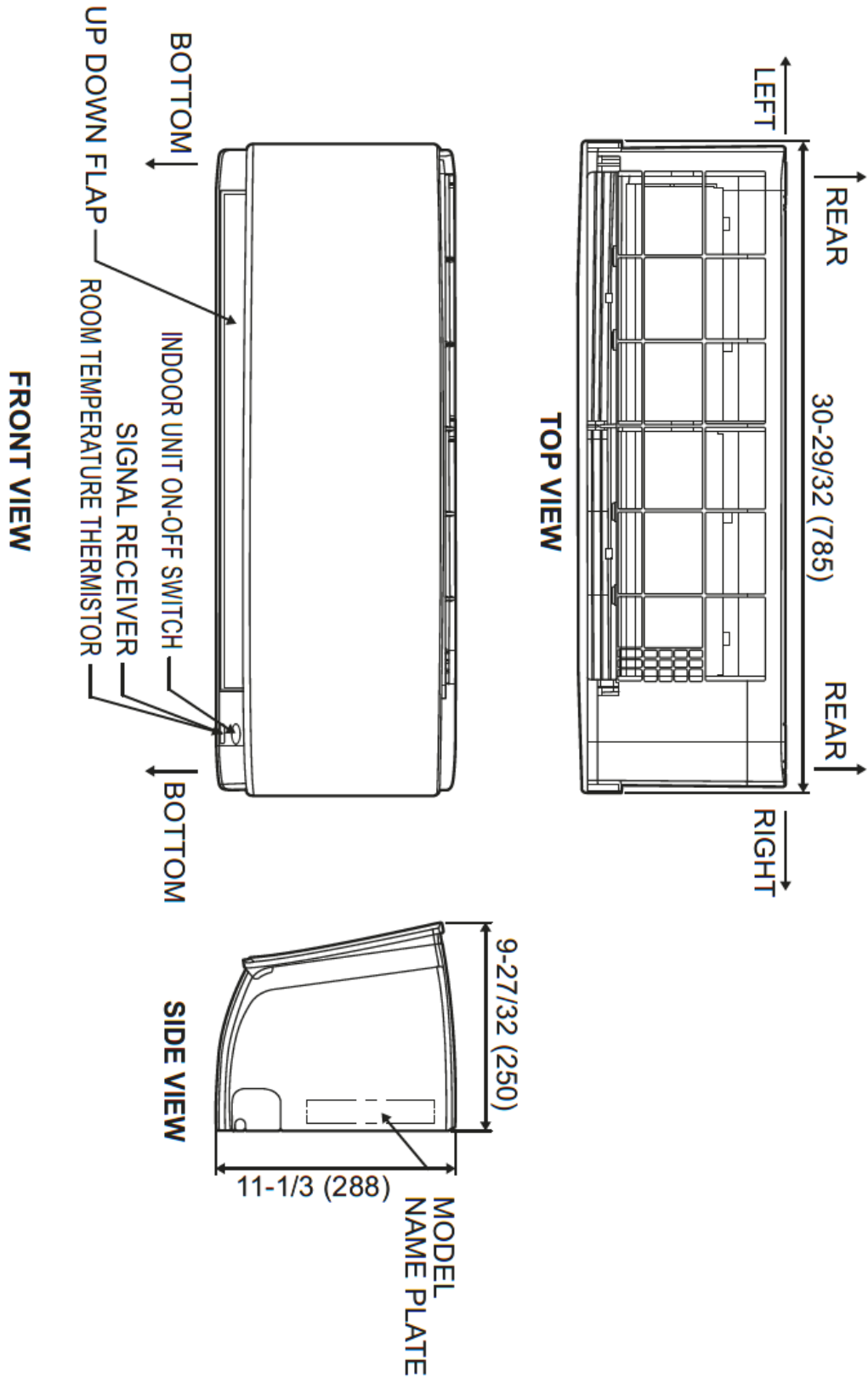
Complete warranty details available from your local dealer or at www.daikincomfort.com. To receive the 12-Year Parts Limited Warranty, online registration must be completed within 60 days of installation. Online registration is not required in California or Quebec. If product is installed in a commercial application, limited warranty period is 5 years.

Indoor Specifications		
Airflow Rate (cfm)	Cooling	
	H	M
	431	322
	L	SL
249	142	
Sound (dBA) H / M / L / SL	43 / 36 / 30 / 19	
Dimensions (H x W x D) (in)	11-1/3 x 30-29/32 x 9-27/32	
Weight (Lbs)	20	

Electrical		
	208/60/1	230/60/1
System MCA	7.0	7.0
System MFA	15.0	15.0
Compressor RLA	6.75	6.75
Outdoor fan motor FLA	0.36	0.36
Outdoor fan motor W	41	41
Indoor fan motor FLA	0.30	0.30
Indoor fan motor W	38	38
MFA: Max. fuse amps MCA: Min. circuit amps (A) FLA: Full load amps (A) RLA: Rated load amps (A) W: Fan motor rated output (W)		

Outdoor Specifications		
Compressor	Hermetically Sealed Swing Type	
Refrigerant	R-410A	
Factory Charge (Lbs)	1.54	
Refrigerant Oil	PVE (FVC50K)	
Airflow Rate (cfm)	Cooling	
	H	1,083
Sound Pressure Level (dBA)	46	
Dimensions (H x W x D) (in)	21-11/16 x 26-1/2 x 11-3/16	
Weight (Lbs)	55	

Piping	
Liquid (in)	1/4
Gas (in)	3/8
Drain (in)	3/4
Max. Interunit Piping Length (ft)	65.625
Max. Interunit Height Difference (ft)	49.25
Chargeless (ft)	32.8
Additional Charge of Refrigerant (oz/ft)	.21



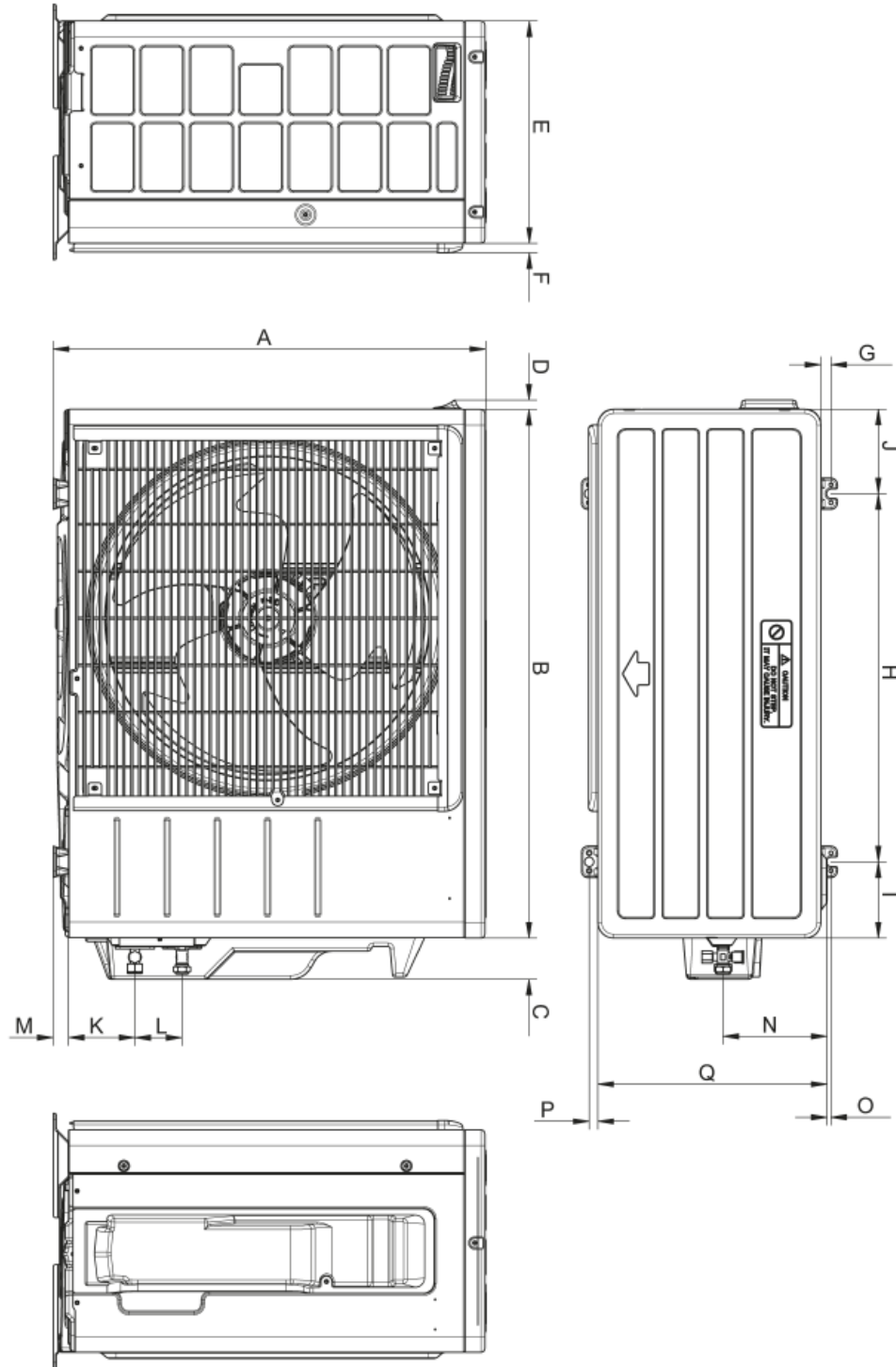
All dimensions are in inch (mm)

RK09AXVJU Dimensional Data



Model	Dimension																
09/12	A	B	C	D	E	F	G	H	I	J	K	L	M	N	O	P	Q
	21-11/16 (550)	26-1/2 (675)	2-1/16 (53)	15/32 (12)	11-3/16 (284)	15/32 (12)	1/2 (13)	18-1/2 (470)	3-13/16 (97)	4-1/4 (108)	3-3/8 (86)	2-3/8 (60)	25/32 (20)	5-1/4 (133)	3/16 (5)	7/16 (11)	11-1/2 (292)

All dimensions are in inch (mm)



Daikin North America LLC 5151 San Felipe, Suite 500 Houston, TX 77056

(Daikin's products are subject to continuous improvements. Daikin reserves the right to modify product design, specifications and information in this data sheet without notice and without incurring any obligations)



Indoor Unit		
Included	Part Number	Description
	BRP072A43	Wireless Interface Adapter (S21 Adapter Included)
	DACA-CP1-1	Inline Condensate Pump (Fits inside all Daikin wall & floor mount units)
	DACA-CP4-1	External Condensate Pump

Outdoor Unit		
Included	Part Number	Description
	DACA-WB-1	Powder-Coated Wall-Mounted Bracket
	KPW937F4	Air direction adjustment grille (09 & 12)
	KKG067A41	Back protection wire net (09 & 12)

Job Name:	
Tag#	



Submittal Data Sheet	FTK12AXVJU / RK12AXVJU
1-Ton Wall Mounted Cooling Only System	



Efficiency	
Cooling	
SEER	19
EER	12.5

Performance	
Cooling (Btu/hr)	
Rated (Min/Max)	10,900 (4,400 / 13,300)
Sensible @ AHRI	9,090
Moisture Removal gal/h	.19
Standard Operating Range	50°F – 115°F
Extended Operating Range*	-4°F – 115°F
Rated Cooling Conditions:	Indoor: 80°F DB/67°F WB Outdoor: 95°F DB/75°F WB
*With field settings and wind baffle	

Complete warranty details available from your local dealer or at www.daikincomfort.com. To receive the 12-Year Parts Limited Warranty, online registration must be completed within 60 days of installation. Online registration is not required in California or Quebec. If product is installed in a commercial application, limited warranty period is 5 years.

Indoor Specifications		
Airflow Rate (cfm)	Cooling	
	H	M
	436	316
	L	SL
247	132	
Sound (dBA) H / M / L / SL	45 / 37 / 31 / 19	
Dimensions (H x W x D) (in)	11-1/3 x 30-29/32 x 9-27/32	
Weight (Lbs)	22	

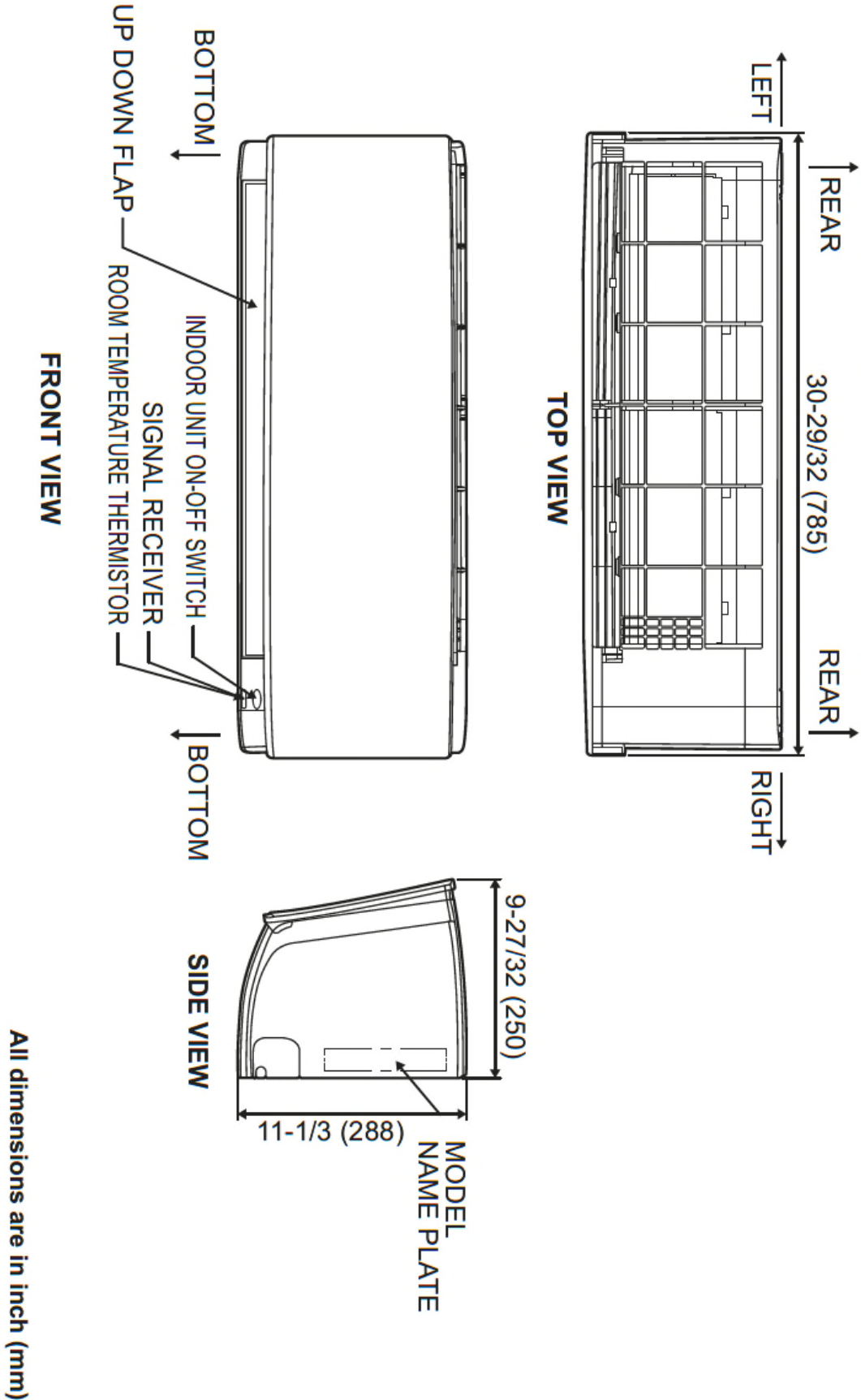
Electrical		
	208/60/1	230/60/1
System MCA	7.8	7.8
System MFA	15.0	15.0
Compressor RLA	7.5	7.5
Outdoor fan motor FLA	.47	.47
Outdoor fan motor W	41	41
Indoor fan motor FLA	.36	.36
Indoor fan motor W	38	38
MFA: Max. fuse amps MCA: Min. circuit amps (A) FLA: Full load amps (A) RLA: Rated load amps (A) W: Fan motor rated output (W)		

Outdoor Specifications		
Compressor	Hermetically Sealed Swing Type	
Refrigerant	R-410A	
Factory Charge (Lbs)	2.09	
Refrigerant Oil	PVE (FVC50K)	
Airflow Rate (cfm)	Cooling	
	H	1,051
Sound Pressure Level (dBA)	49	
Dimensions (H x W x D) (in)	21-11/16 x 26-1/2 x 11-3/16	
Weight (Lbs)	62	

Piping	
Liquid (in)	1/4
Gas (in)	3/8
Drain (in)	3/4
Max. Interunit Piping Length (ft)	65.625
Max. Interunit Height Difference (ft)	49.25
Chargeless (ft)	32.8
Additional Charge of Refrigerant (oz/ft)	.21

Daikin North America LLC 5151 San Felipe, Suite 500 Houston, TX 77056

(Daikin's products are subject to continuous improvements. Daikin reserves the right to modify product design, specifications and information in this data sheet without notice and without incurring any obligations)



Daikin North America LLC 5151 San Felipe, Suite 500 Houston, TX 77056

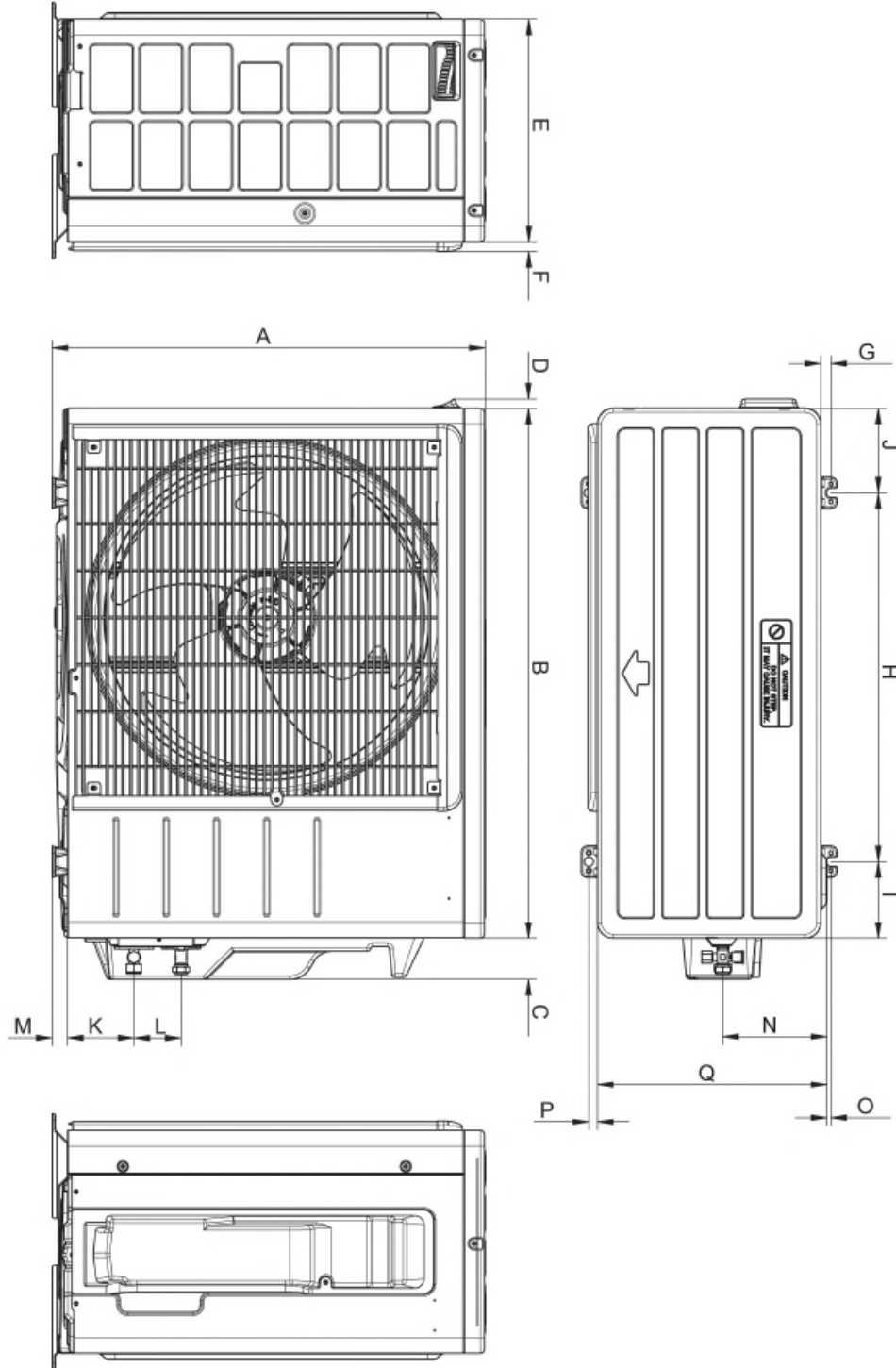
(Daikin's products are subject to continuous improvements. Daikin reserves the right to modify product design, specifications and information in this data sheet without notice and without incurring any obligations)

RK12AXVJU Dimensional Data



Model	Dimension																
09/12	A	B	C	D	E	F	G	H	I	J	K	L	M	N	O	P	Q
	21-11/16 (550)	26-1/2 (675)	2-1/16 (53)	15/32 (12)	11-3/16 (284)	15/32 (12)	1/2 (13)	18-1/2 (470)	3-13/16 (97)	4-1/4 (108)	3-3/8 (86)	2-3/8 (60)	25/32 (20)	5-1/4 (133)	3/16 (5)	7/16 (11)	11-1/2 (292)

All dimensions are in inch (mm)



Daikin North America LLC 5151 San Felipe, Suite 500 Houston, TX 77056

(Daikin's products are subject to continuous improvements. Daikin reserves the right to modify product design, specifications and information in this data sheet without notice and without incurring any obligations)



Indoor Unit		
Included	Part Number	Description
	BRP072A43	Wireless Interface Adaptor
	AZAI6WSCDKB	DKN Residential Cloud Wi-Fi Adaptor for Single- and Multi-Zone System (S21)
	BRC944B2-A08	Wired Remote Controller kit
	BRCW901A08	Wired Remote Controller Cable – 25ft (Included in above kit)
	BRCW901A03	Wired Remote Controller Cable – 10ft
	DACA-CP1-1	Inline Condensate Pump (Fits inside all Daikin wall & floor mount units)
	DACA-CP4-1	External Condensate Pump

Outdoor Unit		
Included	Part Number	Description
	DACA-WB-1	Powder-Coated Wall-Mounted Bracket
	KPW937F4	Air direction adjustment grille (09 & 12)
	KKG067A41	Back protection wire net (09 & 12)

Job Name:	
Tag#	



Submittal Data Sheet	FTK18AXVJU / RK18AXVJU
1.5-Ton Wall Mounted Cooling Only System	



Efficiency	
Cooling	
SEER	18.5
EER	12.5

Performance	
Cooling (Btu/hr)	
Rated (Min/Max)	18,000 (5,500 / 20,000)
Sensible @ AHRI	14,480
Moisture Removal gal/h	0.41
Standard Operating Range	50°F – 115°F
Extended Operating Range*	-4°F – 115°F
Rated Cooling Conditions: Indoor: 80°F DB/67°F WB Outdoor: 95°F DB/75°F WB	
*With field settings and wind baffle	

Complete warranty details available from your local dealer or at www.daikincomfort.com. To receive the 12-Year Parts Limited Warranty, online registration must be completed within 60 days of installation. Online registration is not required in California or Quebec. If product is installed in a commercial application, limited warranty period is 5 years.

Indoor Specifications		
Airflow Rate (cfm)	Cooling	
	H	M
	716	605
	L	SL
467	395	
Sound (dBA) H / M / L / SL	49 / 44 / 38 / 33	
Dimensions (H x W x D) (in)	11-11/16 x 39-1/2 x 11-1/3	
Weight (Lbs)	31	

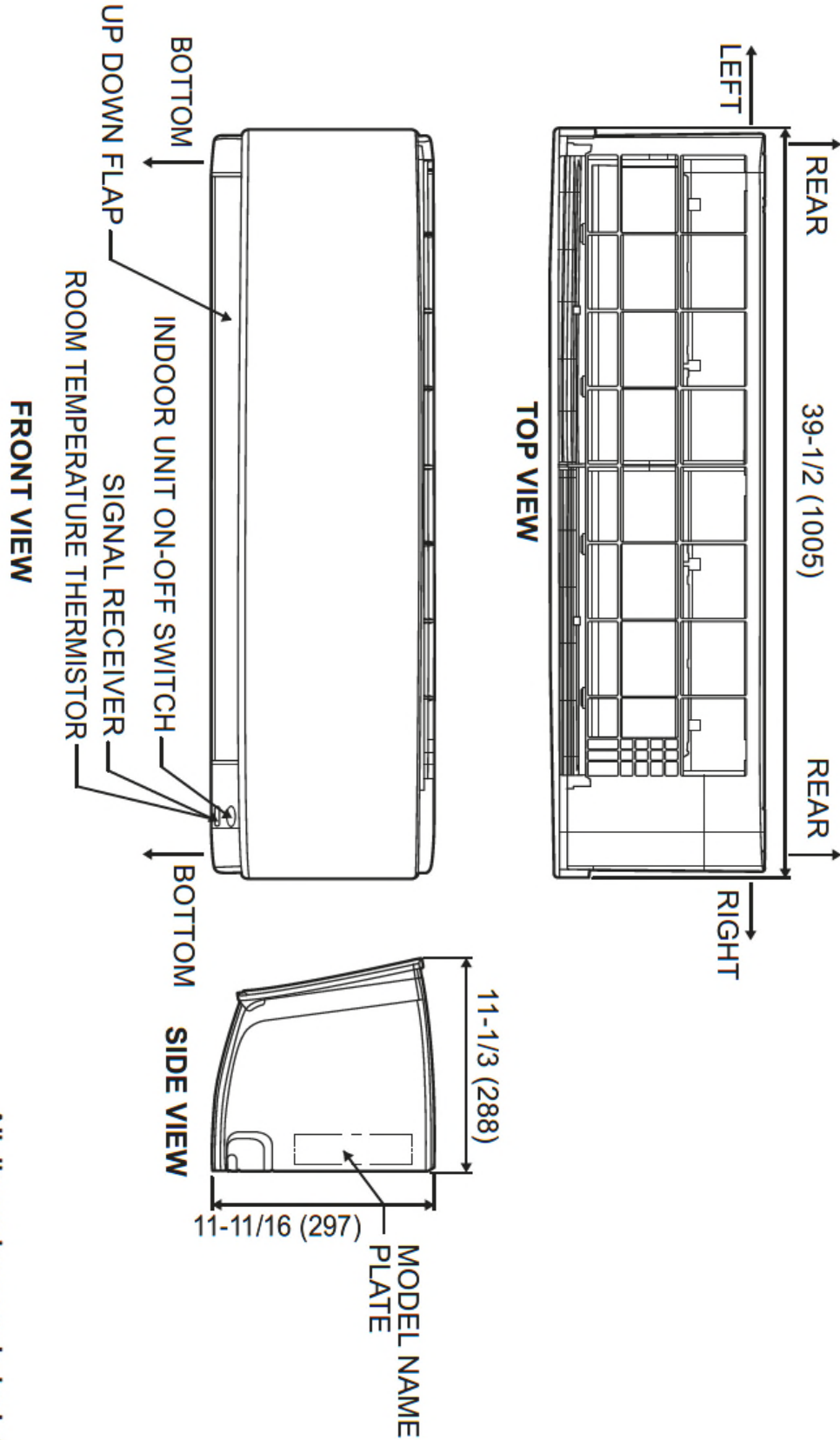
Electrical		
	208/60/1	230/60/1
System MCA	13.4	13.4
System MFA	20.0	20.0
Compressor RLA	13.0	13.0
Outdoor fan motor FLA	.99	.99
Outdoor fan motor W	128	128
Indoor fan motor FLA	.50	.50
Indoor fan motor W	35	35
MFA: Max. fuse amps MCA: Min. circuit amps (A) FLA: Full load amps (A) RLA: Rated load amps (A) W: Fan motor rated output (W)		

Outdoor Specifications		
Compressor	Hermetically Sealed Swing Type	
Refrigerant	R-410A	
Factory Charge (Lbs)	3.20	
Refrigerant Oil	PVE (FVC50K)	
Airflow Rate (cfm)	Cooling	
	H	2,005
Sound Pressure Level (dBA)	54	
Dimensions (H x W x D) (in)	27-13/32 x 36-5/8 x 13-13/16	
Weight (Lbs)	99	

Piping	
Liquid (in)	1/4
Gas (in)	1/2
Drain (in)	3/4
Max. Interunit Piping Length (ft)	98.4
Max. Interunit Height Difference (ft)	65.625
Chargeless (ft)	32.8
Additional Charge of Refrigerant (oz/ft)	.21

Daikin North America LLC 5151 San Felipe, Suite 500 Houston, TX 77056

(Daikin's products are subject to continuous improvements. Daikin reserves the right to modify product design, specifications and information in this data sheet without notice and without incurring any obligations)



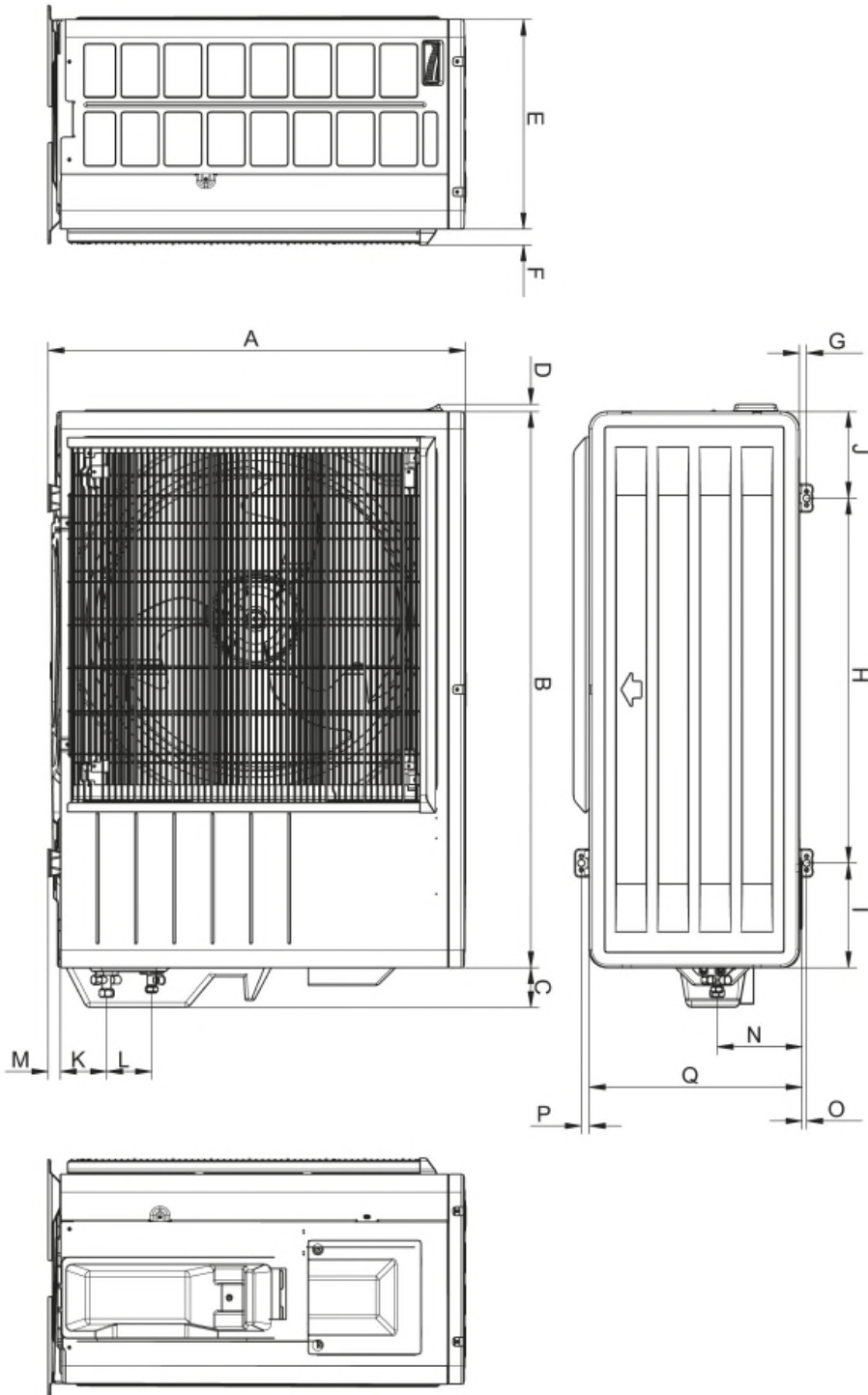
All dimensions are in inch (mm)

RK18AXVJU Dimensional Data



Model	Dimension																
18/24	A	B	C	D	E	F	G	H	I	J	K	L	M	N	O	P	Q
	27-13/32 (696)	36-5/8 (930)	2-19/32 (66)	15/32 (12)	13-13/16 (351)	1-1/16 (27)	15/32 (12)	24 (610)	6-7/8 (175)	5-23/32 (145)	3-1/32 (77)	2-31/32 (75)	13/16 (21)	5-19/32 (142)	5/16 (8)	17/32 (13)	13-31/32 (355)

All dimensions are in inch (mm)



Daikin North America LLC 5151 San Felipe, Suite 500 Houston, TX 77056

(Daikin's products are subject to continuous improvements. Daikin reserves the right to modify product design, specifications and information in this data sheet without notice and without incurring any obligations)



Indoor Unit		
Included	Part Number	Description
	BRP072A43	Wireless Interface Adaptor
	AZAI6WSCDKB	DKN Residential Cloud Wi-Fi Adaptor for Single- and Multi-Zone System (S21)
	BRC944B2-A08	Wired Remote Controller kit
	BRCW901A08	Wired Remote Controller Cable – 25ft (Included in above kit)
	BRCW901A03	Wired Remote Controller Cable – 10ft
	DACA-CP1-1	Inline Condensate Pump (Fits inside all Daikin wall & floor mount units)
	DACA-CP4-1	External Condensate Pump

Outdoor Unit		
Included	Part Number	Description
	DACA-WB-1	Powder-Coated Wall-Mounted Bracket
	KPW063B4E	Air Adjustment Grille

Job Name:	
Tag#	



Submittal Data Sheet	FTK24AXVJU / RK24AXVJU
2-Ton Wall Mounted Cooling Only System	



Efficiency	
Cooling	
SEER	19
EER	12.2

Performance	
Cooling (Btu/hr)	
Rated (Min/Max)	21,200 (5,500 / 24,000)
Sensible @ AHRI	15,670
Moisture Removal gal/h	0.67
Standard Operating Range	50°F – 115°F
Extended Operating Range*	-4°F – 115°F
Rated Cooling Conditions:	
	Indoor: 80°F DB/67°F WB
	Outdoor: 95°F DB/75°F WB
*With field settings and wind baffle	

Complete warranty details available from your local dealer or at www.daikincomfort.com. To receive the 12-Year Parts Limited Warranty, online registration must be completed within 60 days of installation. Online registration is not required in California or Quebec. If product is installed in a commercial application, limited warranty period is 5 years.

Indoor Specifications		
Airflow Rate (cfm)	Cooling	
	H	M
	716	605
	L	SL
467	395	
Sound (dBA) H / M / L / SL	53 / 45 / 39 / 34	
Dimensions (H × W × D) (in)	11-11/16 × 39-1/2 × 11-1/3	
Weight (Lbs)	31	

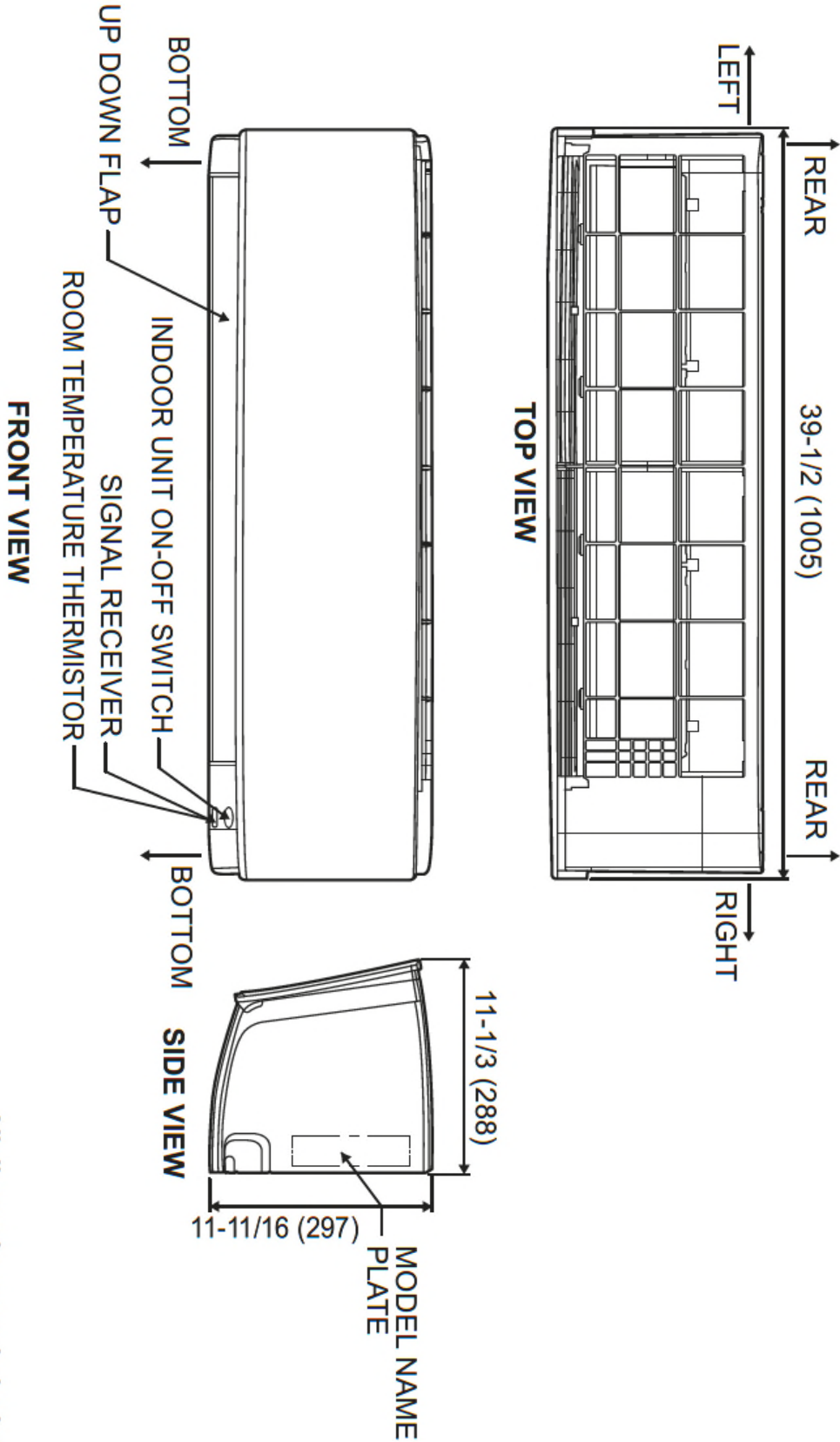
Electrical		
	208/60/1	230/60/1
System MCA	13.4	13.4
System MFA	20.0	20.0
Compressor RLA	13.0	13.0
Outdoor fan motor FLA	1.0	1.0
Outdoor fan motor W	128	128
Indoor fan motor FLA	.50	.50
Indoor fan motor W	35	35
MFA: Max. fuse amps MCA: Min. circuit amps (A) FLA: Full load amps (A)		
RLA: Rated load amps (A) W: Fan motor rated output (W)		

Outdoor Specifications		
Compressor	Hermetically Sealed Swing Type	
Refrigerant	R-410A	
Factory Charge (Lbs)	3.86	
Refrigerant Oil	PVE (FVC50K)	
Airflow Rate (cfm)	Cooling	
	H	1,908
Sound Pressure Level (dBA)	55	
Dimensions (H × W × D) (in)	27-13/32 × 36-5/8 × 13-13/16	
Weight (Lbs)	106	

Piping	
Liquid (in)	1/4
Gas (in)	5/8
Drain (in)	3/4
Max. Interunit Piping Length (ft)	98.4
Max. Interunit Height Difference (ft)	65.625
Chargeless (ft)	32.8
Additional Charge of Refrigerant (oz/ft)	.21

Daikin North America LLC 5151 San Felipe, Suite 500 Houston, TX 77056

(Daikin's products are subject to continuous improvements. Daikin reserves the right to modify product design, specifications and information in this data sheet without notice and without incurring any obligations)



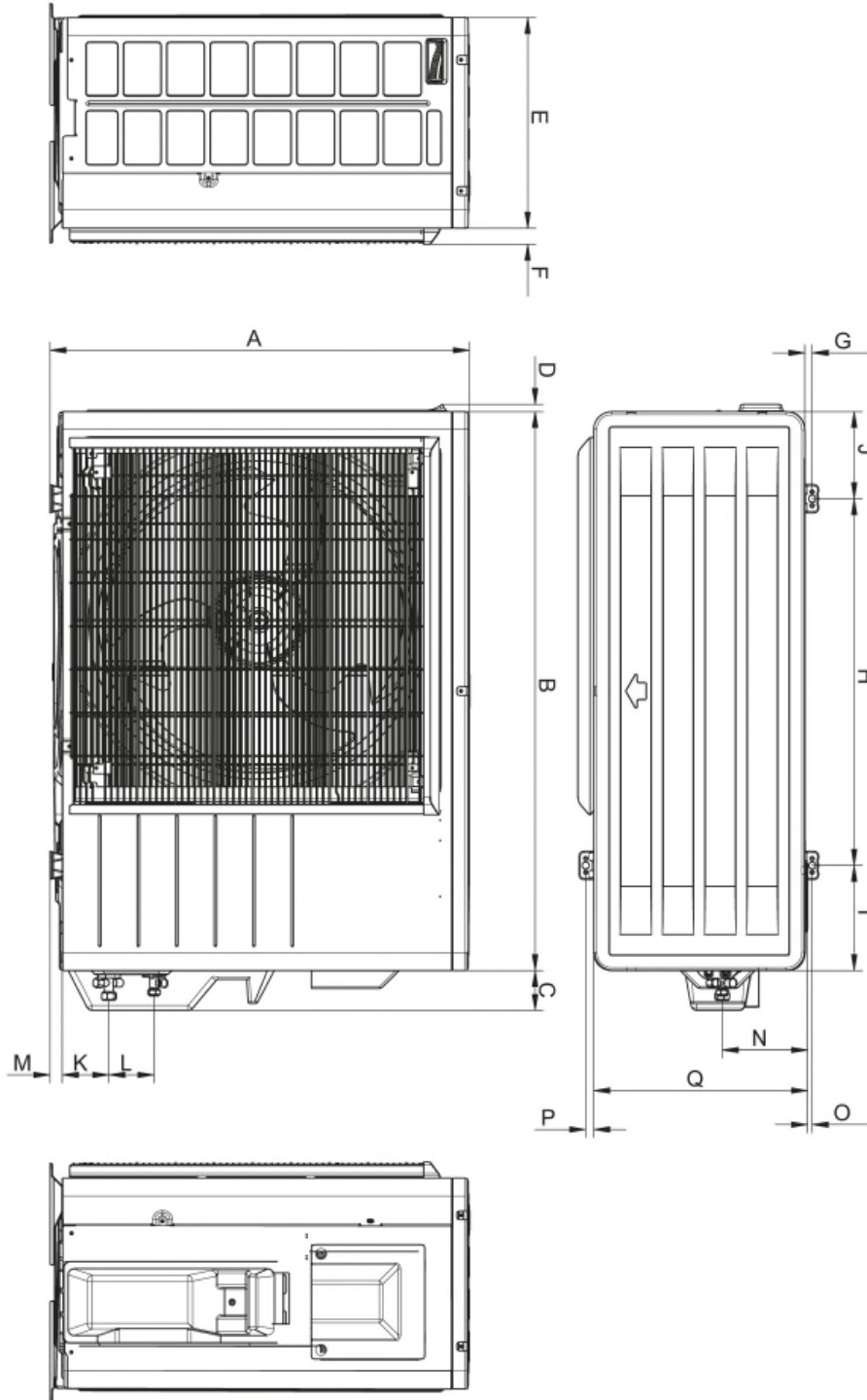
All dimensions are in inch (mm)

RK24AXVJU Dimensional Data



Model	Dimension																
18/24	A	B	C	D	E	F	G	H	I	J	K	L	M	N	O	P	Q
	27-13/32 (696)	36-5/8 (930)	2-19/32 (66)	15/32 (12)	13-13/16 (351)	1-1/16 (27)	15/32 (12)	24 (610)	6-7/8 (175)	5-23/32 (145)	3-1/32 (77)	2-31/32 (75)	13/16 (21)	5-19/32 (142)	5/16 (8)	17/32 (13)	13-31/32 (355)

All dimensions are in inch (mm)



Daikin North America LLC 5151 San Felipe, Suite 500 Houston, TX 77056

(Daikin's products are subject to continuous improvements. Daikin reserves the right to modify product design, specifications and information in this data sheet without notice and without incurring any obligations)



Indoor Unit		
Included	Part Number	Description
	BRP072A43	Wireless Interface Adaptor
	AZAI6WSCDKB	DKN Residential Cloud Wi-Fi Adaptor for Single- and Multi-Zone System (S21)
	BRC944B2-A08	Wired Remote Controller kit
	BRCW901A08	Wired Remote Controller Cable – 25ft (Included in above kit)
	BRCW901A03	Wired Remote Controller Cable – 10ft
	DACA-CP1-1	Inline Condensate Pump (Fits inside all Daikin wall & floor mount units)
	DACA-CP4-1	External Condensate Pump

Outdoor Unit		
Included	Part Number	Description
	DACA-WB-1	Powder-Coated Wall-Mounted Bracket
	KPW063B4E	Air Adjustment Grille