



J4AC4018A1000AA

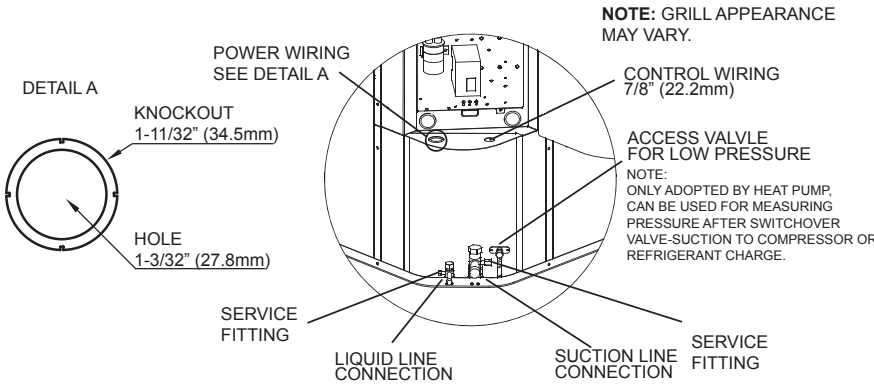
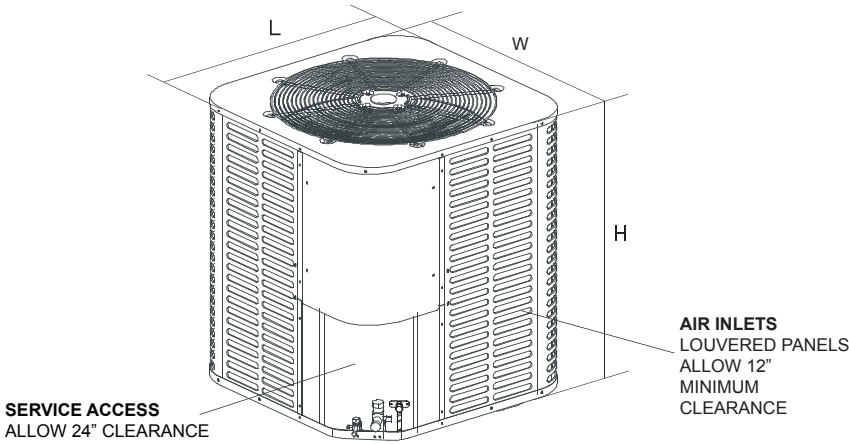
TAG: \_\_\_\_\_

**SUBMITTAL**

**1.5 Ton Split System  
Air Conditioner - 1 Phase  
J4AC4018A1000AA**

Product Specifications

OUTDOOR UNIT	J4AC4018A1000AA
POWER CONNS. — V/PH/HZ	208/230/1/60
MIN. BRCH. CIR. AMPACITY	10.4
BR. CIR. PROT. RTG. - MAX. (AMPS)	15
COMPRESSOR	SCROLL
NO. USED - NO. SPEEDS	1 - 1
VOLTS/PH/HZ	208/230/1/60
R.L. AMPS - L.R. AMPS	7.7 - 48.0
FACTORY INSTALLED START COMPONENTS	NO
INSULATION/SOUND BLANKE T	NO
COMPRESSOR HEAT	NO
OUTDOOR FAN	PROPELLER
DIA. (IN.) - NO. USED	17-3/4 - 1
TYPE DRIVE - NO. SPEEDS	Axial - 1
CFM @ 0.0 IN. W.G.	1600
NO. MOTORS - HP	1 - 1/8
MOTOR SPEED R.P.M.	1075
VOLTS/PH/HZ	208/230/1/60
F.L. AMPS	0.70
OUTDOOR COIL — TYPE	PLATE FIN
ROWS - F.P.I.	2 - 21
FACE AREA (SQ. FT.)	8.9
TUBE SIZE (IN.)	3/16
REFRIGERANT CONTROL	ORIFICE
REFRIGERANT	
LBS. — R-410 (O.D. UNIT)	5 LBS. - 2 OZ.
FACTORY SUPPLIED	YES
LINE SIZE - IN. O.D. GAS	3/4
LINE SIZE - IN. O.D. LIQ.	3/8
CHARGING SPECIFICATION	
SUBCOOLING	8° F
DIMENSIONS	W X H X D
CRATED (IN.)	22-9/10x26-1/4x22-9/10
WEIGHT	
SHIPPING (LBS.)	128
NET (LBS.)	121



NOTE: All dimensions are in mm/inches.

Model	H	W	L	LIQUID VALVE SIZE	GAS VALVE SIZE
J4AC4018A1000AA	633 (24-15/16)	554 (21-7/8)	554 (21-7/8)	3/8	3/4

# Mechanical Specification Options

---

## **General**

The J4AC40 is fully charged from the factory. This unit is designed to operate at outdoor ambient temperatures as high as 115°F. Cooling capacities are matched with air handlers and furnace coils that are AHRI certified. The unit is certified to ETL. Exterior is designed for outdoor application.

## **Casing**

Unit casing is constructed of heavy gauge, Galvanized steel and painted with a weather-resistant powder paint on all grilles, panels, pre-paint on all other panels. And had 500-hours salt spray tested.

## **Refrigerant Controls**

Refrigeration system controls include condenserfan, compressor contactor.

## **Scroll Compressor**

Features include low vibration and noise.

## **Condenser Coil**

The outdoor coil provides low airflow resistance and efficient heat transfer. The coil is protected on all four sides by grille panels.

## **Optional accessories**

### **Liquid line drier—**

It is used to filter out impurities and water in the system, ensures system clean and dry.



*OXBOX has a policy of continuous product and product data improvement and it reserves the right to change design and specifications without notice.*

**BX-PRQ-J4AC4018A1000A-1A**

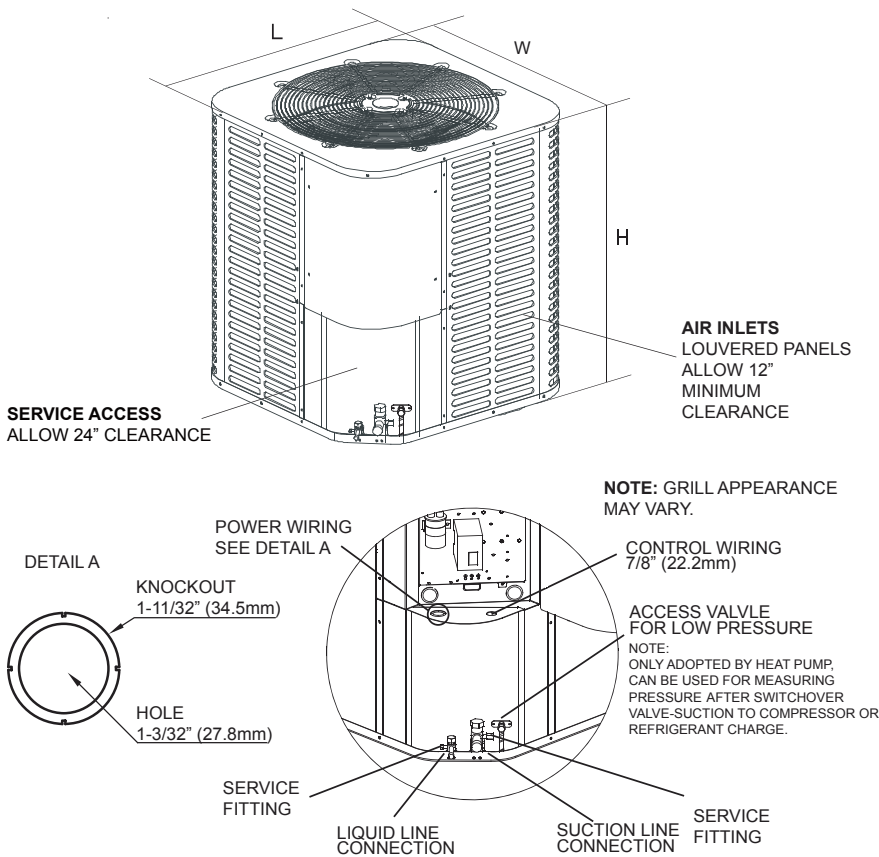
TAG: \_\_\_\_\_

# SUBMITTAL

## 2.0 Ton Split System Air Conditioner - 1 Phase J4AC4024A1000AA

### Product Specifications

OUTDOOR UNIT	J4AC4024A1000AA
POWER CONNS. — V/PH/HZ	208/230/1/60
MIN. BRCH. CIR. AMPACITY	13.4
BR. CIR. PROT. RTG. - MAX. (AMPS)	20
COMPRESSOR	SCROLL
NO. USED - NO. SPEEDS	1 - 1
VOLTS/PH/HZ	208/230/1/60
R.L. AMPS - L.R. AMPS	10.1 - 52
FACTORY INSTALLED START COMPONENTS	NO
INSULATION/SOUND BLANKE T	NO
COMPRESSOR HEAT	NO
OUTDOOR FAN	PROPELLER
DIA. (IN.) - NO. USED	18-7/8 - 1
TYPE DRIVE - NO. SPEEDS	Axial - 1
CFM @ 0.0 IN. W.G.	1800
NO. MOTORS - HP	1 - 1/8
MOTOR SPEED R.P.M.	1075
VOLTS/PH/HZ	208/230/1/60
F.L. AMPS	0.7
OUTDOOR COIL — TYPE	PLATE FIN
ROWS - F.P.I.	2 - 21
FACE AREA (SQ. FT.)	10
TUBE SIZE (IN.)	3/16
REFRIGERANT CONTROL	ORIFICE
REFRIGERANT	
LBS. — R-410 (O.D. UNIT)	5 LBS. - 5 OZ.
FACTORY SUPPLIED	YES
LINE SIZE - IN. O.D. GAS	3/4
LINE SIZE - IN. O.D. LIQ.	3/8
CHARGING SPECIFICATION	
SUBCOOLING	8° F
DIMENSIONS	W X H X D
CRATED (IN.)	24-7/10x26-1/4x24-7/10
WEIGHT	
SHIPPING (LBS.)	139
NET (LBS.)	132



NOTE: All dimensions are in mm/inches.

Model	H	W	L	LIQUID VALVE SIZE	GAS VALVE SIZE
J4AC4024A1000AA	633 (24-15/16)	600 (23-5/8)	600 (23-5/8)	3/8	3/4

# Mechanical Specification Options

---

## **General**

The J4AC40 is fully charged from the factory. This unit is designed to operate at outdoor ambient temperatures as high as 115°F. Cooling capacities are matched with air handlers and furnace coils that are AHRI certified. The unit is certified to ETL. Exterior is designed for outdoor application.

## **Casing**

Unit casing is constructed of heavy gauge, Galvanized steel and painted with a weather-resistant powder paint on all grilles, panels, pre-paint on all other panels. And had 500-hours salt spray tested.

## **Refrigerant Controls**

Refrigeration system controls include condenserfan, compressor contactor.

## **Scroll Compressor**

Features include low vibration and noise.

## **Condenser Coil**

The outdoor coil provides low airflow resistance and efficient heat transfer. The coil is protected on all four sides by grille panels.

## **Optional accessories**

### **Liquid line drier —**

It is used to filter out impurities and water in the system, ensures system clean and dry.



---

*OXBOX has a policy of continuous product and product data improvement and it reserves the right to change design and specifications without notice.*

**BX-PRQ-J4AC4024A1000A-1A**

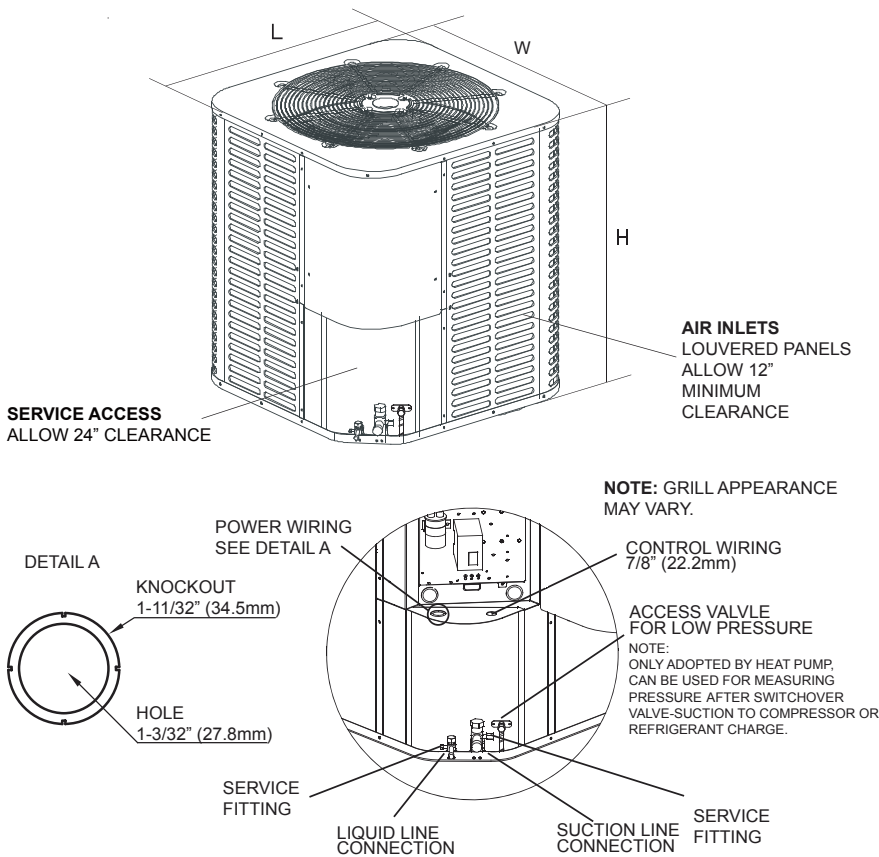
TAG: \_\_\_\_\_

# SUBMITTAL

## 2.5 Ton Split System Air Conditioner - 1 Phase J4AC4030A1000AA

### Product Specifications

OUTDOOR UNIT	J4AC4030A1000AA
POWER CONNS. — V/PH/HZ	208/230/1/60
MIN. BRCH. CIR. AMPACITY	14.7
BR. CIR. PROT. RTG. - MAX. (AMPS)	25
COMPRESSOR	SCROLL
NO. USED - NO. SPEEDS	1 - 1
VOLTS/PH/HZ	208/230/1/60
R.L. AMPS - L.R. AMPS	10.9 - 63
FACTORY INSTALLED START COMPONENTS	NO
INSULATION/SOUND BLANKE T	NO
COMPRESSOR HEAT	NO
OUTDOOR FAN	PROPELLER
DIA. (IN.) - NO. USED	23 - 1
TYPE DRIVE - NO. SPEEDS	Axial - 1
CFM @ 0.0 IN. W.G.	2650
NO. MOTORS - HP	1 - 1/6
MOTOR SPEED R.P.M.	825
VOLTS/PH/HZ	208/230/1/60
F.L. AMPS	1.0
OUTDOOR COIL — TYPE	PLATE FIN
ROWS - F.P.I.	2 - 21
FACE AREA (SQ. FT.)	13
TUBE SIZE (IN.)	3/16
REFRIGERANT CONTROL	ORIFICE
REFRIGERANT	
LBS. — R-410 (O.D. UNIT)	5 LBS. - 12 OZ.
FACTORY SUPPLIED	YES
LINE SIZE - IN. O.D. GAS	3/4
LINE SIZE - IN. O.D. LIQ.	3/8
CHARGING SPECIFICATION	
SUBCOOLING	8° F
DIMENSIONS	W X H X D
CRATED (IN.)	29x26-1/4x29
WEIGHT	
SHIPPING (LBS.)	157
NET (LBS.)	148



NOTE: All dimensions are in mm/inches.

Model	H	W	L	LIQUID VALVE SIZE	GAS VALVE SIZE
J4AC4030A1000AA	633 (24-15/16)	710 (28)	710 (28)	3/8	3/4

# Mechanical Specification Options

---

## **General**

The J4AC40 is fully charged from the factory. This unit is designed to operate at outdoor ambient temperatures as high as 115°F. Cooling capacities are matched with air handlers and furnace coils that are AHRI certified. The unit is certified to ETL. Exterior is designed for outdoor application.

## **Casing**

Unit casing is constructed of heavy gauge, Galvanized steel and painted with a weather-resistant powder paint on all grilles, panels, pre-paint on all other panels. And had 500-hours salt spray tested.

## **Refrigerant Controls**

Refrigeration system controls include condenserfan, compressor contactor.

## **Scroll Compressor**

Features include low vibration and noise.

## **Condenser Coil**

The outdoor coil provides low airflow resistance and efficient heat transfer. The coil is protected on all four sides by grille panels.

## **Optional accessories**

### **Liquid line drier —**

It is used to filter out impurities and water in the system, ensures system clean and dry.



*OXBOX has a policy of continuous product and product data improvement and it reserves the right to change design and specifications without notice.*

**BX-PRQ-J4AC4030A1000A-1A**



J4AC4036A1000AA

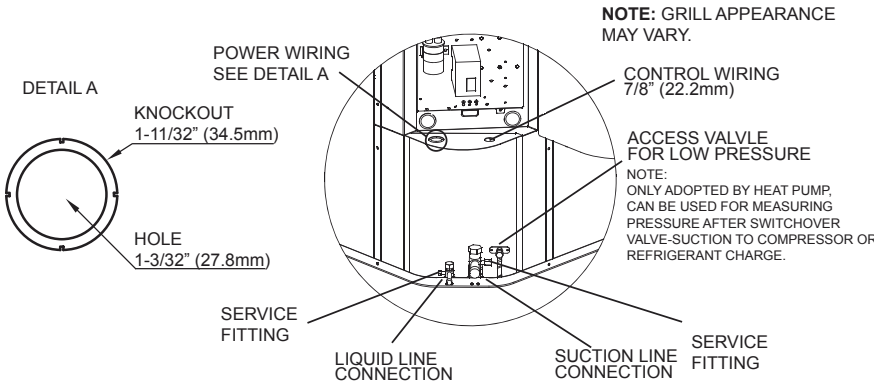
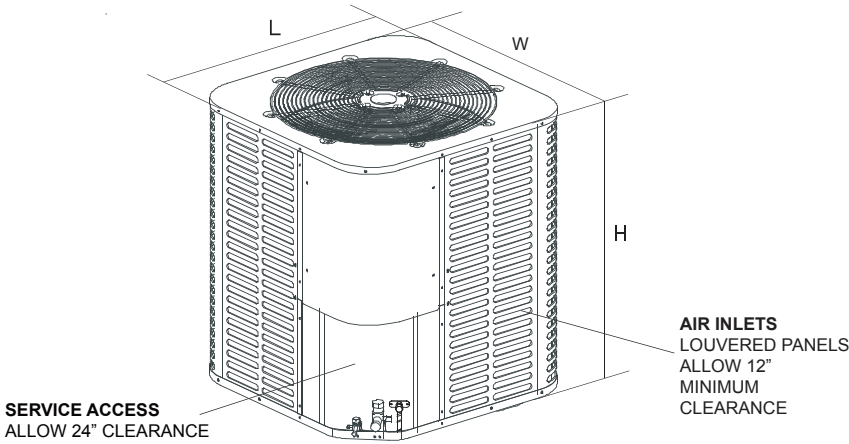
TAG: \_\_\_\_\_

# SUBMITTAL

## 3.0 Ton Split System Air Conditioner - 1 Phase J4AC4036A1000AA

Product Specifications

OUTDOOR UNIT	J4AC4036A1000AA
POWER CONNS. — V/PH/HZ	208/230/1/60
MIN. BRCH. CIR. AMPACITY	19.4
BR. CIR. PROT. RTG. - MAX. (AMPS)	30
COMPRESSOR	SCROLL
NO. USED - NO. SPEEDS	1 - 1
VOLTS/PH/HZ	208/230/1/60
R.L. AMPS - L.R. AMPS	14.7 - 75
FACTORY INSTALLED START COMPONENTS	NO
INSULATION/SOUND BLANKE T	NO
COMPRESSOR HEAT	NO
OUTDOOR FAN	PROPELLER
DIA. (IN.) - NO. USED	23-5/8 - 1
TYPE DRIVE - NO. SPEEDS	Axial - 1
CFM @ 0.0 IN. W.G.	2700
NO. MOTORS - HP	1 - 1/6
MOTOR SPEED R.P.M.	825
VOLTS/PH/HZ	208/230/1/60
F.L. AMPS	1.0
OUTDOOR COIL — TYPE	PLATE FIN
ROWS - F.P.I.	1 - 21
FACE AREA (SQ. FT.)	14
TUBE SIZE (IN.)	3/16
REFRIGERANT CONTROL	ORIFICE
REFRIGERANT	
LBS. — R-410 (O.D. UNIT)	5 LBS. - 14 OZ.
FACTORY SUPPLIED	YES
LINE SIZE - IN. O.D. GAS	3/4
LINE SIZE - IN. O.D. LIQ.	3/8
CHARGING SPECIFICATION	
SUBCOOLING	8° F
DIMENSIONS	W X H X D
CRATED (IN.)	30-1/5x26-1/4x30-1/5
WEIGHT	
SHIPPING (LBS.)	163
NET (LBS.)	154



NOTE: All dimensions are in mm/inches.

Model	H	W	L	LIQUID VALVE SIZE	GAS VALVE SIZE
J4AC4036A1000AA	633 (24-15/16)	740 (29-1/8)	740 (29-1/8)	3/8	3/4

# Mechanical Specification Options

---

## **General**

The J4AC40 is fully charged from the factory. This unit is designed to operate at outdoor ambient temperatures as high as 115°F. Cooling capacities are matched with air handlers and furnace coils that are AHRI certified. The unit is certified to ETL. Exterior is designed for outdoor application.

## **Casing**

Unit casing is constructed of heavy gauge, Galvanized steel and painted with a weather-resistant powder paint on all grilles, panels, pre-paint on all other panels. And had 500-hours salt spray tested.

## **Refrigerant Controls**

Refrigeration system controls include condenserfan, compressor contactor.

## **Scroll Compressor**

Features include low vibration and noise.

## **Condenser Coil**

The outdoor coil provides low airflow resistance and efficient heat transfer. The coil is protected on all four sides by grille panels.

## **Optional accessories**

### **Liquid line drier —**

It is used to filter out impurities and water in the system, ensures system clean and dry.



---

*OXBOX has a policy of continuous product and product data improvement and it reserves the right to change design and specifications without notice.*

**BX-PRQ-J4AC4036A1000A-1A**

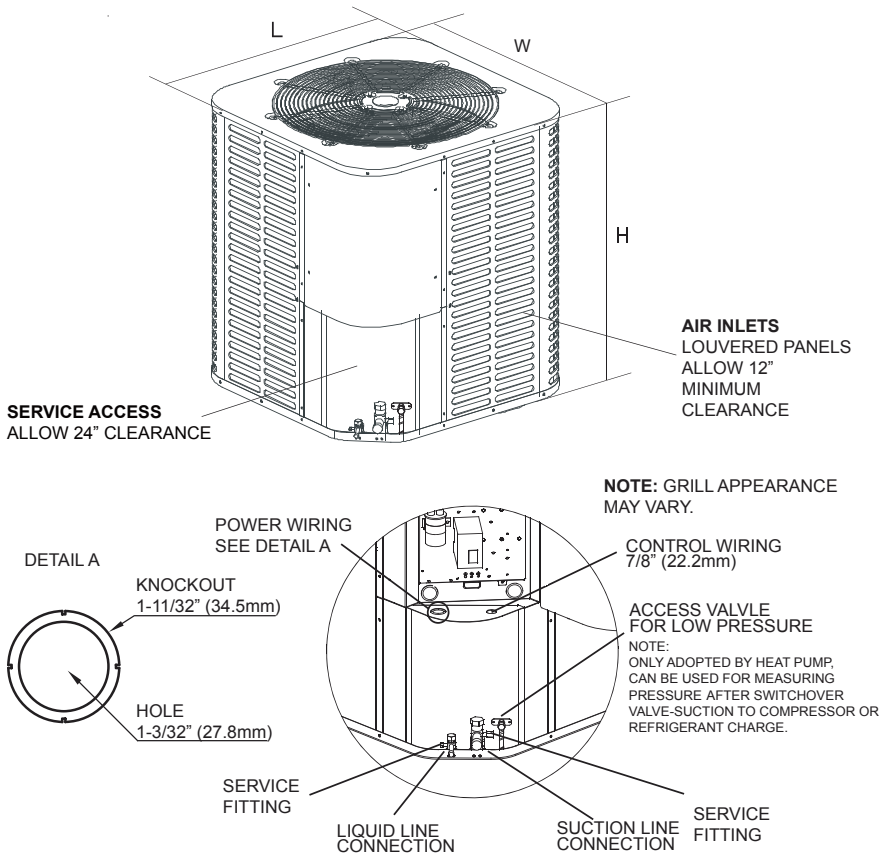
TAG: \_\_\_\_\_

# SUBMITTAL

## 3.5 Ton Split System Air Conditioner - 1 Phase J4AC4042A1000AA

### Product Specifications

OUTDOOR UNIT	J4AC4042A1000AA
POWER CONNS. — V/PH/HZ	208/230/1/60
MIN. BRCH. CIR. AMPACITY	21.6
BR. CIR. PROT. RTG. - MAX. (AMPS)	35
COMPRESSOR	SCROLL
NO. USED - NO. SPEEDS	1 - 1
VOLTS/PH/HZ	208/230/1/60
R.L. AMPS - L.R. AMPS	15.9 - 112.3
FACTORY INSTALLED START COMPONENTS	NO
INSULATION/SOUND BLANKE T	NO
COMPRESSOR HEAT	NO
OUTDOOR FAN	PROPELLER
DIA. (IN.) - NO. USED	23 - 1
TYPE DRIVE - NO. SPEEDS	Axial - 1
CFM @ 0.0 IN. W.G.	3700
NO. MOTORS - HP	1 - 1/3
MOTOR SPEED R.P.M.	1075
VOLTS/PH/HZ	208/230/1/60
F.L. AMPS	1.70
OUTDOOR COIL — TYPE	PLATE FIN
ROWS - F.P.I.	2 - 21
FACE AREA (SQ. FT.)	17
TUBE SIZE (IN.)	3/16
REFRIGERANT CONTROL	ORIFICE
REFRIGERANT	
LBS. — R-410 (O.D. UNIT)	7 LBS. - 16 OZ.
FACTORY SUPPLIED	YES
LINE SIZE - IN. O.D. GAS	3/4
LINE SIZE - IN. O.D. LIQ.	3/8
CHARGING SPECIFICATION	
SUBCOOLING	8° F
DIMENSIONS	W X H X D
CRATED (IN.)	29x34-1/2x29
WEIGHT	
SHIPPING (LBS.)	201
NET (LBS.)	190



NOTE: All dimensions are in mm/inches.

Model	H	W	L	LIQUID VALVE SIZE	GAS VALVE SIZE
J4AC4042A1000AA	843 (33-3/16)	710 (28)	710 (28)	3/8	3/4

# Mechanical Specification Options

---

## **General**

The J4AC40 is fully charged from the factory. This unit is designed to operate at outdoor ambient temperatures as high as 115°F. Cooling capacities are matched with air handlers and furnace coils that are AHRI certified. The unit is certified to ETL. Exterior is designed for outdoor application.

## **Casing**

Unit casing is constructed of heavy gauge, Galvanized steel and painted with a weather-resistant powder paint on all grilles, panels, pre-paint on all other panels. And had 500-hours salt spray tested.

## **Refrigerant Controls**

Refrigeration system controls include condenserfan, compressor contactor.

## **Scroll Compressor**

Features include low vibration and noise.

## **Condenser Coil**

The outdoor coil provides low airflow resistance and efficient heat transfer. The coil is protected on all four sides by grille panels.

## **Optional accessories**

### **Liquid line drier —**

It is used to filter out impurities and water in the system, ensures system clean and dry.



*OXBOX has a policy of continuous product and product data improvement and it reserves the right to change design and specifications without notice.*

**BX-PRQ-J4AC4042A1000A-1A**

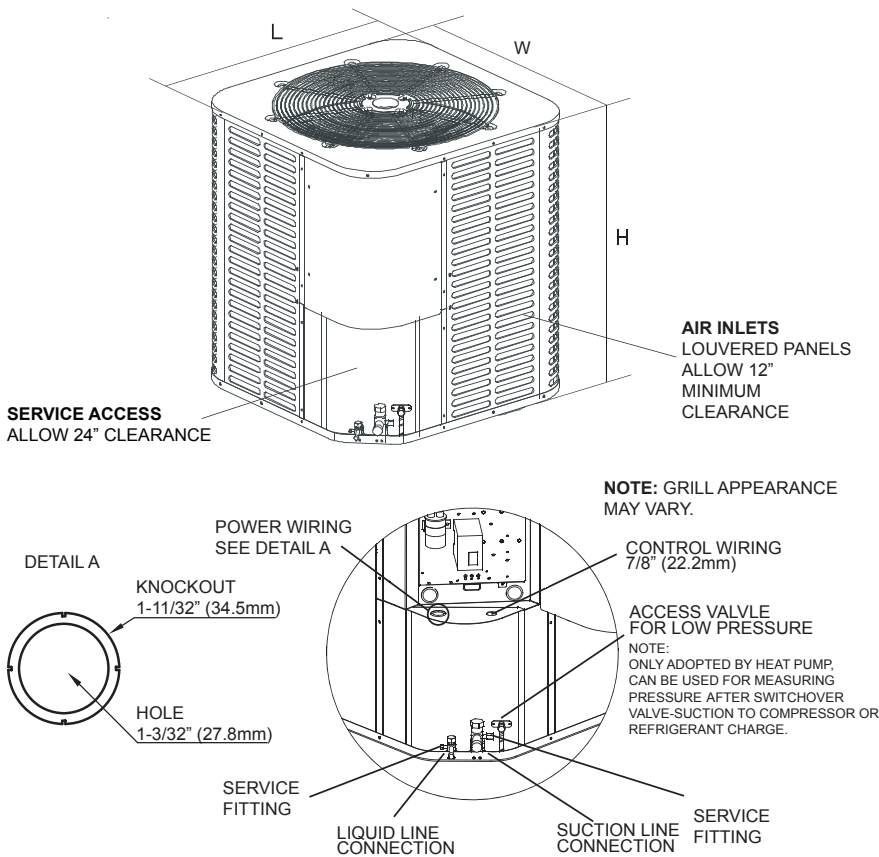
TAG: \_\_\_\_\_

# SUBMITTAL

## 4.0 Ton Split System Air Conditioner - 1 Phase J4AC4048A1000AA

### Product Specifications

OUTDOOR UNIT	J4AC4048A1000AA
POWER CONNS. — V/PH/HZ	208/230/1/60
MIN. BRCH. CIR. AMPACITY	24.6
BR. CIR. PROT. RTG. - MAX. (AMPS)	40
COMPRESSOR	SCROLL
NO. USED - NO. SPEEDS	1 - 1
VOLTS/PH/HZ	208/230/1/60
R.L. AMPS - L.R. AMPS	18.3 - 108
FACTORY INSTALLED START COMPONENTS	NO
INSULATION/SOUND BLANKE T	NO
COMPRESSOR HEAT	NO
OUTDOOR FAN	PROPELLER
DIA. (IN.) - NO. USED	23 - 1
TYPE DRIVE - NO. SPEEDS	Axial - 1
CFM @ 0.0 IN. W.G.	3700
NO. MOTORS - HP	1 - 1/3
MOTOR SPEED R.P.M.	1075
VOLTS/PH/HZ	208/230/1/60
F.L. AMPS	1.70
OUTDOOR COIL — TYPE	PLATE FIN
ROWS - F.P.I.	2 - 21
FACE AREA (SQ. FT.)	17
TUBE SIZE (IN.)	3/16
REFRIGERANT CONTROL	ORIFICE
REFRIGERANT	
LBS. — R-410 (O.D. UNIT)	7 LBS. - 16 OZ.
FACTORY SUPPLIED	YES
LINE SIZE - IN. O.D. GAS	7/8
LINE SIZE - IN. O.D. LIQ.	3/8
CHARGING SPECIFICATION	
SUBCOOLING	8° F
DIMENSIONS	W X H X D
CRATED (IN.)	29x34-1/2x29
WEIGHT	
SHIPPING (LBS.)	201
NET (LBS.)	190



NOTE: All dimensions are in mm/inches.

Model	H	W	L	LIQUID VALVE SIZE	GAS VALVE SIZE
J4AC4048A1000AA	843 (33-3/16)	710 (28)	710 (28)	3/8	7/8

# Mechanical Specification Options

---

## **General**

The J4AC40 is fully charged from the factory. This unit is designed to operate at outdoor ambient temperatures as high as 115°F. Cooling capacities are matched with air handlers and furnace coils that are AHRI certified. The unit is certified to ETL. Exterior is designed for outdoor application.

## **Casing**

Unit casing is constructed of heavy gauge, Galvanized steel and painted with a weather-resistant powder paint on all grilles, panels, pre-paint on all other panels. And had 500-hours salt spray tested.

## **Refrigerant Controls**

Refrigeration system controls include condenserfan, compressor contactor.

## **Scroll Compressor**

Features include low vibration and noise.

## **Condenser Coil**

The outdoor coil provides low airflow resistance and efficient heat transfer. The coil is protected on all four sides by grille panels.

## **Optional accessories**

### **Liquid line drier —**

It is used to filter out impurities and water in the system, ensures system clean and dry.



*OXBOX has a policy of continuous product and product data improvement and it reserves the right to change design and specifications without notice.*

**BX-PRQ-J4AC4048A1000A-1A**

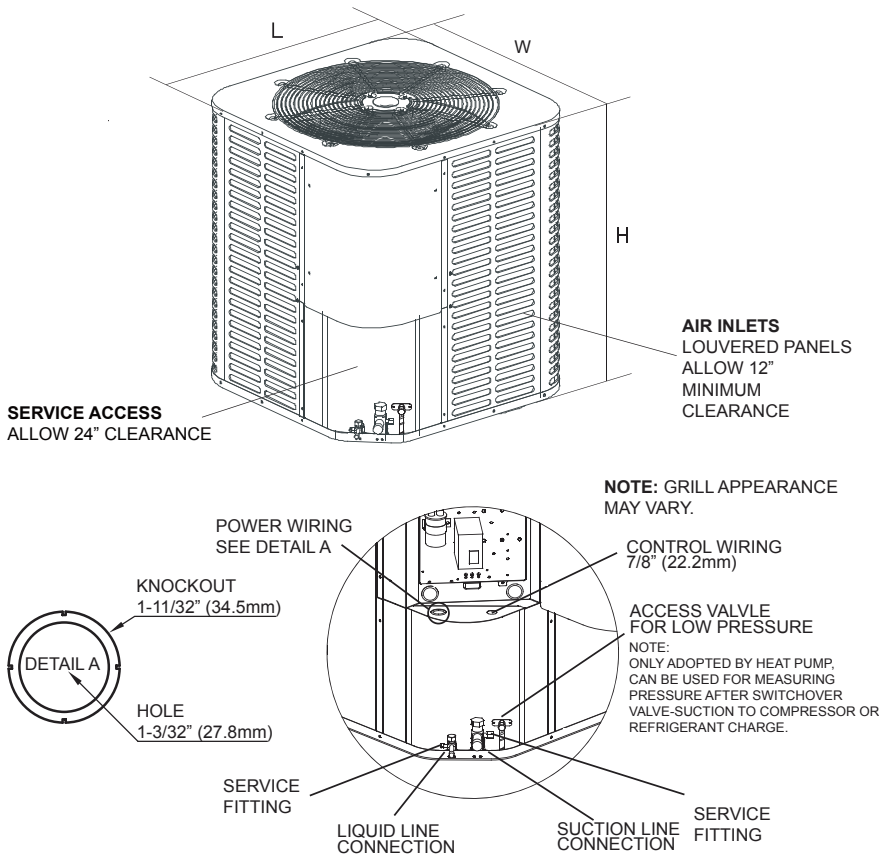
TAG: \_\_\_\_\_

# SUBMITTAL

## 5.0 Ton Split System Air Conditioner - 1 Phase J4AC4060A1000AA

### Product Specifications

OUTDOOR UNIT	J4AC4060A1000AA
POWER CONNS. — V/PH/HZ	208/230/1/60
MIN. BRCH. CIR. AMPACITY	28
BR. CIR. PROT. RTG. - MAX. (AMPS)	45
COMPRESSOR	SCROLL
NO. USED - NO. SPEEDS	1 - 1
VOLTS/PH/HZ	208/230/1/60
R.L. AMPS - L.R. AMPS	21 - 127.9
FACTORY INSTALLED START COMPONENTS	NO
INSULATION/SOUND BLANKET	NO
COMPRESSOR HEAT	NO
OUTDOOR FAN	PROPELLER
DIA. (IN.) - NO. USED	23-5/8 - 1
TYPE DRIVE - NO. SPEEDS	DIRECT - 1
CFM @ 0.0 IN. W.G.	3800
NO. MOTORS - HP	1 - 1/3
MOTOR SPEED R.P.M.	1075
VOLTS/PH/HZ	208/230/1/60
F.L. AMPS	1.70
OUTDOOR COIL — TYPE	PLATE FIN
ROWS - F.P.I.	3 - 21
FACE AREA (SQ. FT.)	18.4
TUBE SIZE (IN.)	3/16
REFRIGERANT CONTROL	ORIFICE
REFRIGERANT	
LBS. — R-410 (O.D. UNIT)	7 LBS. - 12 OZ.
FACTORY SUPPLIED	YES
LINE SIZE - IN. O.D. GAS	7/8
LINE SIZE - IN. O.D. LIQ.	3/8
CHARGING SPECIFICATION	
SUBCOOLING	8° F
DIMENSIONS	W X H X D
CRATED (IN.)	30-1/5x34-1/2x30-1/5
WEIGHT	
SHIPPING (LBS.)	214
NET (LBS.)	203



NOTE: All dimensions are in mm/inches.

Model	H	W	L	LIQUID VALVE SIZE	GAS VALVE SIZE
J4AC4060A1000AA	843 (33-3/16)	740 (29-1/8)	740 (29-1/8)	3/8	7/8

# Mechanical Specification Options

---

## **General**

The J4AC40 is fully charged from the factory. This unit is designed to operate at outdoor ambient temperatures as high as 115°F. Cooling capacities are matched with air handlers and furnace coils that are AHRI certified. The unit is certified to ETL. Exterior is designed for outdoor application.

## **Casing**

Unit casing is constructed of heavy gauge, Galvanized steel and painted with a weather-resistant powder paint on all grilles, panels, pre-paint on all other panels. And had 500-hours salt spray tested.

## **Refrigerant Controls**

Refrigeration system controls include condenserfan, compressor contactor.

## **Scroll Compressor**

Features include low vibration and noise.

## **Condenser Coil**

The outdoor coil provides low airflow resistance and efficient heat transfer. The coil is protected on all four sides by grille panels.

## **Optional accessories**

### **Liquid line drier —**

It is used to filter out impurities and water in the system, ensures system clean and dry.



---

---

---

---

---



*OXBOX has a policy of continuous product and product data improvement and it reserves the right to change design and specifications without notice.*

**BX-PRQ-J4AC4060A1000A-1A**