



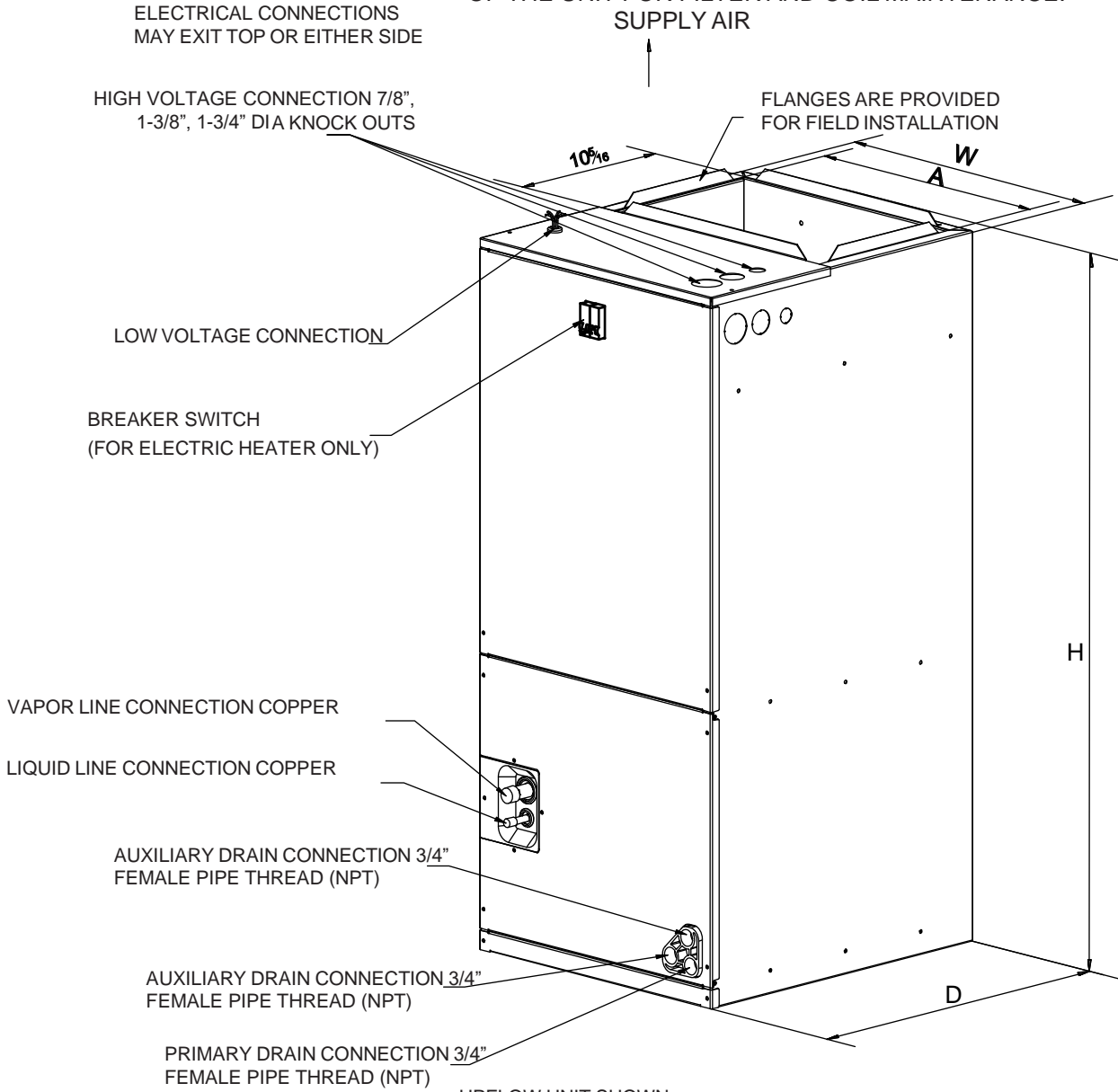
J5AH4P18A1A00AA

TAG: _____

SUBMITTAL

**1.5 Ton
Multi-position PSC Air Handler
J5AH4P18A1A00AA**

NOTE: 25" CLEARANCE IS REQUIRED IN THE FRONT OF THE UNIT FOR FILTER AND COIL MAINTENANCE.
SUPPLY AIR



UPFLOW UNIT SHOWN;
UNIT MAY BE INSTALLED UPFLOW, DOWNFLOW,
HORIZONTAL RIGHT, OR LEFT AIR SUPPLY.

NOTE: All dimensions are in inches.

Model	W	H	D	A
J5AH4P18A1A00AA	18-1/8	41-3/8	20-1/2	16

PRODUCT SPECIFICATIONS

PRODUCT SPECIFICATIONS

MODEL	J5AH4P18A1A00AA
RATED VOLTS/PH/HZ	208/230V/1Ph/60Hz
RATINGS	See O.D. Specifications
Min. Circuit Amps	1.8A
Max. Fuse or MAX CKT.BKR.	15A
INDOOR COIL — Type	Plate Fin
Rows — F.P.I.	4-17
Face Area (sq. ft.)	3
Tube Size (in.)	9/32
Refrigerant Control	Orifice
Drain Conn. Size (in.)	3/4 FPT
DUCT CONNECTIONS	See Outline Drawing
INDOOR FAN — Type	Centrifugal
MOTOR—Type	PSC
Diameter-Width (In.)	10 - 10
No. Used	1
Drive - No. Speeds	Direct - 3
CFM vs. in. w.g.	See Fan Performance Table
No. Motors — H.P.	1 - 1/5
Motor Speed R.P.M.	755
Volts/Ph/Hz	208/230V/1Ph/60Hz
F.L. Amps	1.4
FILTER	
Filter Furnished?	No
Type Recommended	Throwaway
No.-Size-Thickness	1 - 16 X 20 - 1 in.
REFRIGERANT	R454B
Ref. Line Connections	Brazed
Coupling or Conn. Size — in. Gas	3/4
Coupling or Conn. Size — in. Liq.	3/8
DIMENSIONS	W x H x D
Crated (In.)	20-3/4x42x 24-3/16
Uncrated	18-1/8x 41-3/8x 20-1/2
WEIGHT	
Shipping (Lbs.) / Net (Lbs.)	121/108

Heater Kit Model Used	Electric Heat (kW)	Min. Circuit Ampacity		Max. Fuse or Breaker (HACR) Ampacity		Minimum Heating Blower Speed	
		240V	208V	240V	208V	Without HP	With HP
5JAYHTR1A05BK*	5	26.1	22.6	30	25	525	525
5JAYHTR1A08BK*	7.5	39.1	33.9	40	35		
5JAYHTR1A10BK*	10	52.1	45.2	60	50		

PRODUCT SPECIFICATIONS

Optional TXV kit part numbers. Some combinations may require a TXV. See AHRI for system combination ratings.

Outdoor Unit Capacity (Tons)	R454B TXV Kit
1.5-3.0	5AYTXVH3A1836A
3.5-4.0	5AYTXVH3A4248A
5.0	5AYTXVH3A6000A

Note: Factory set at Medium High Speed.

Motor Speed		AIR FLOW PERFORMANCE								
		J5AH4P18A1A00AA								
		External Static Pressure-Inches W.C. (kPa)								
			0(0)	0.1(.02)	0.2(.05)	0.3(.07)	0.4(.10)	0.5(.12)	0.6(.15)	0.7(.17)
Low	CFM	649	618	586	548	509	467	420	350	283
Medium	CFM	815	796	758	720	677	624	573	522	421
High	CFM	945	933	897	855	811	757	692	633	566

Mechanical Specifications

- Unique Cabinet Design
- Metal shell and glass cotton thermal insulation layer
- Multi-Position UP/Down Flow Horizontal Left /Right
- Braze in Refrigerant Connection
- Primary/Secondary Condensate Connections
- Blower with Integrated Slide Deck for Easy Removal
- Inner-groove aluminum tube and high-efficiency aluminum fin Coil with Integrated Slide Deck for Easy Removal
- More auxiliary Electric Heaters optional
- PSC 3 Speed Motor
- High Efficiency
- Integrated Horizontal Drain pans and metal Vertical Drain
- Fused 24V Power
- Suitable for Manufactured/Mobile Home Use.

d



The manufacturer has a policy of continuous product and product data improvement and it reserves the right to change design and specification without notice.

BX-PRQ- J5AH4P18A1A00AA-1A



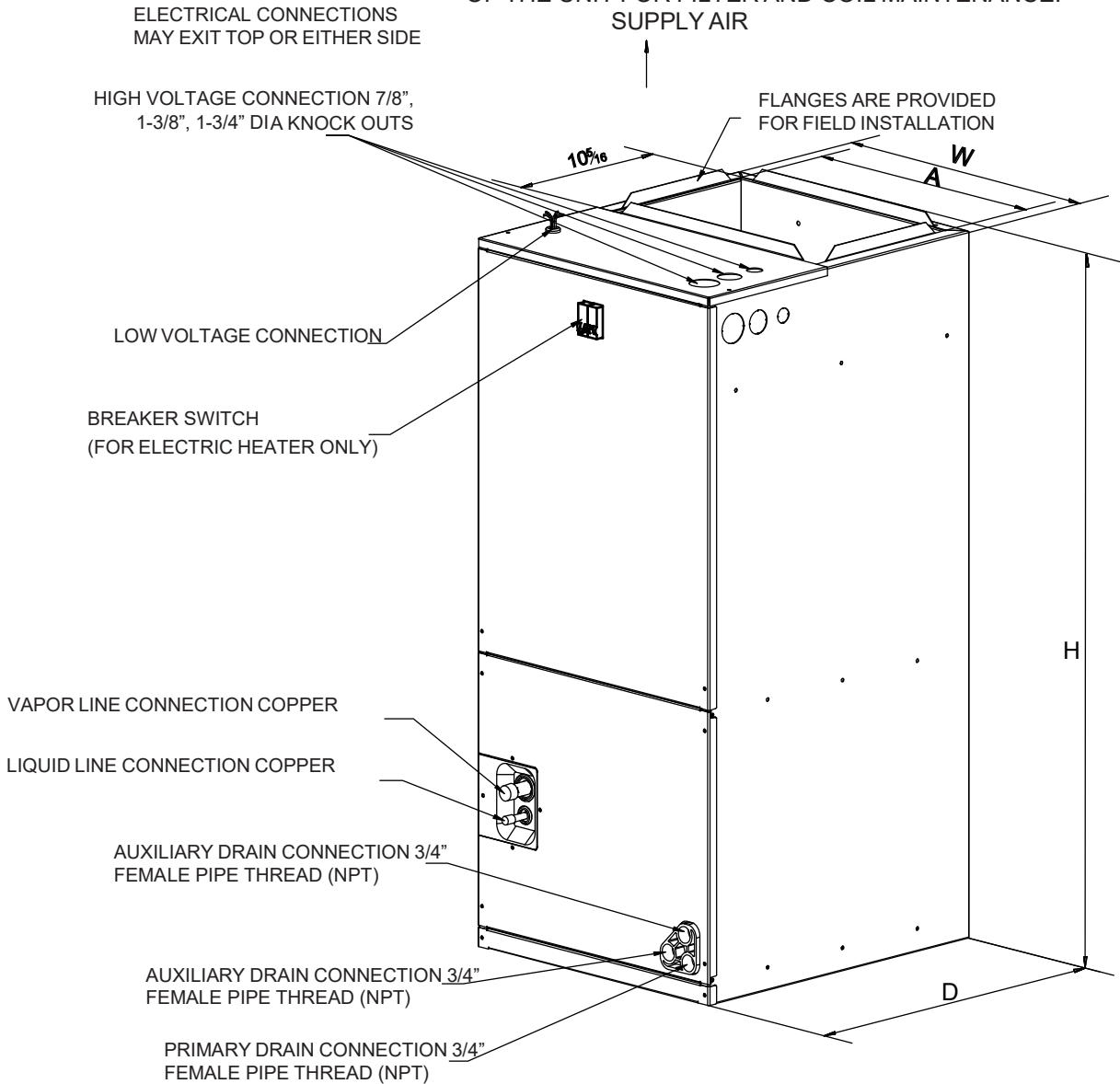
J5AH4P24A1B00AA

TAG: _____

SUBMITTAL

**2 Ton
Multi-position PSC Air Handler
J5AH4P24A1B00AA**

NOTE: 25" CLEARANCE IS REQUIRED IN THE FRONT OF THE UNIT FOR FILTER AND COIL MAINTENANCE.
SUPPLY AIR



UPFLOW UNIT SHOWN;
UNIT MAY BE INSTALLED UPFLOW, DOWNFLOW,
HORIZONTAL RIGHT, OR LEFT AIR SUPPLY.

NOTE: All dimensions are in inches.

Model	W	H	D	A
J5AH4P24A1B00AA	19-5/8	46-1/2	21-5/8	18

PRODUCT SPECIFICATIONS

PRODUCT SPECIFICATIONS	
MODEL	J5AH4P24A1B00AA
RATED VOLTS/PH/HZ	208/230V/1Ph/60Hz
RATINGS	See O.D. Specifications
Min. Circuit Amps	2.5A
Max. Fuse or MAX CKT.BKR.	15A
INDOOR COIL — Type	Plate Fin
Rows — F.P.I.	4-17
Face Area (sq. ft.)	4
Tube Size (in.)	9/32
Refrigerant Control	Orifice
Drain Conn. Size (in.)	3/4 FPT
DUCT CONNECTIONS	See Outline Drawing
INDOOR FAN — Type	Centrifugal
MOTOR—Type	PSC
Diameter-Width (In.)	10 - 10
No. Used	1
Drive - No. Speeds	Direct - 3
CFM vs. in. w.g.	See Fan Performance Table
No. Motors — H.P.	1 - 1/5
Motor Speed R.P.M.	820
Volts/Ph/Hz	208/230V/1Ph/60Hz
F.L. Amps	2
FILTER	
Filter Furnished?	No
Type Recommended	Throwaway
No.-Size-Thickness	1 - 16 X 20 - 1 in.
REFRIGERANT	R454B
Ref. Line Connections	Brazed
Coupling or Conn. Size — in. Gas	3/4
Coupling or Conn. Size — in. Liq.	3/8
DIMENSIONS	W x H x D
Crated (In.)	22-5/16x 47-1/8x 25-3/8
Uncrated	19-5/8x 46-1/2x 21-5/8
WEIGHT	
Shipping (Lbs.) / Net (Lbs.)	146/130

Heater Kit Model Used	Electric Heat (kW)	Min. Circuit Ampacity		Max. Fuse or Breaker (HACR) Ampacity		Minimum Heating Blower Speed	
		240V	208V	240V	208V	Without HP	With HP
5JAYHTR1A05BK*	5	26.1	22.6	30	25	700	700
5JAYHTR1A08BK*	7.5	39.1	33.9	40	35		
5JAYHTR1A10BK*	10	52.1	45.2	60	50		

PRODUCT SPECIFICATIONS

Optional TXV kit part numbers. Some combinations may require a TXV. See AHRI for system combination ratings.

Outdoor Unit Capacity (Tons)	R454B TXV Kit
1.5-3.0	5AYTXVH3A1836A
3.5-4.0	5AYTXVH3A4248A
5.0	5AYTXVH3A6000A

Note: Factory set at Medium High Speed.

Motor Speed		AIR FLOW PERFORMANCE								
		J5AH4P24A1B00AA								
		External Static Pressure-Inches W.C. (kPa)								
			0(0)	0.1(.02)	0.2(.05)	0.3(.07)	0.4(.10)	0.5(12)	0.6(.15)	0.7(.17)
Low	CFM	1081	1028	977	909	796	714	628	539	407
Medium	CFM	1231	1176	1122	1068	976	851	757	659	552
High	CFM	1434	1371	1311	1249	1185	1081	922	807	689

Mechanical Specifications

- Unique Cabinet Design
- Metal shell and glass cotton thermal insulation layer
- Multi-Position UP/Down Flow Horizontal Left /Right
- Braze in Refrigerant Connection
- Primary/Secondary Condensate Connections
- Blower with Integrated Slide Deck for Easy Removal
- Inner-groove aluminum tube and high-efficiency aluminum fin Coil with Integrated Slide Deck for Easy Removal
- More auxiliary Electric Heaters optional
- PSC 3 Speed Motor
- High Efficiency
- Integrated Horizontal Drain pans and metal Vertical Drain
- Fused 24V Power
- Suitable for Manufactured/Mobile Home Use.



The manufacturer has a policy of continuous product and product data improvement and it reserves the right to change design and specification without notice.

BX-PRQ- J5AH4P24A1B00AA-1A



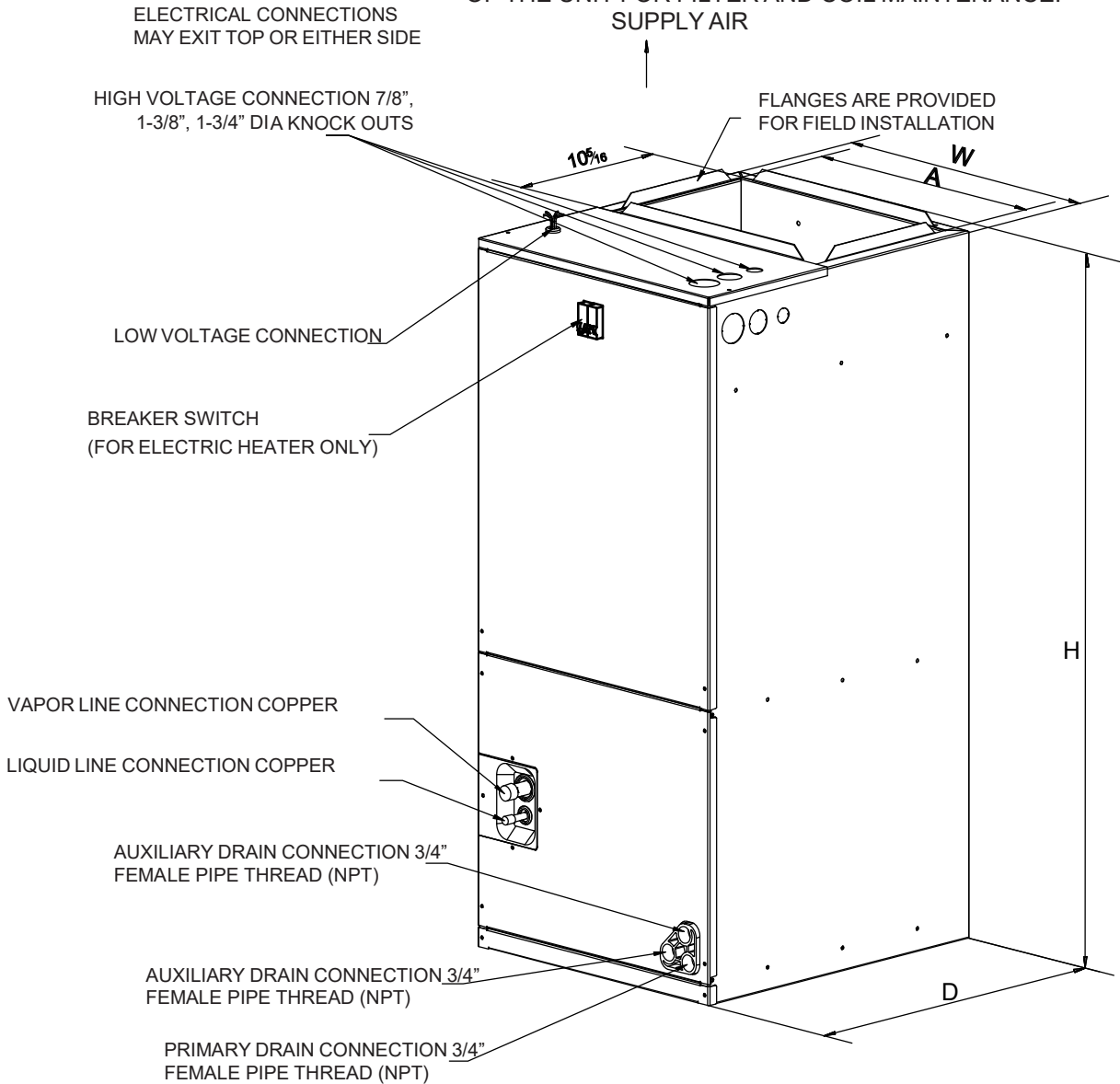
J5AH4P36A1B00AA

TAG: _____

SUBMITTAL

**3 Ton
Multi-position PSC Air Handler
J5AH4P36A1B00AA**

NOTE: 25" CLEARANCE IS REQUIRED IN THE FRONT OF THE UNIT FOR FILTER AND COIL MAINTENANCE.
SUPPLY AIR



UPFLOW UNIT SHOWN;
UNIT MAY BE INSTALLED UPFLOW, DOWNFLOW,
HORIZONTAL RIGHT, OR LEFT AIR SUPPLY.

NOTE: All dimensions are in inches.

Model	W	H	D	A
J5AH4P36A1B00AA	19-5/8	46-1/2	21-5/8	18

PRODUCT SPECIFICATIONS

PRODUCT SPECIFICATIONS	
MODEL	J5AH4P36A1B00AA
RATED VOLTS/PH/HZ	208/230V/1Ph/60Hz
RATINGS	See O.D. Specifications
Min. Circuit Amps	3.3A
Max. Fuse or MAX CKT.BKR.	15A
INDOOR COIL — Type	Plate Fin
Rows — F.P.I.	4-17
Face Area (sq. ft.)	4
Tube Size (in.)	9/32
Refrigerant Control	Orifice
Drain Conn. Size (in.)	3/4 FPT
DUCT CONNECTIONS	See Outline Drawing
INDOOR FAN — Type	Centrifugal
MOTOR—Type	PSC
Diameter-Width (In.)	10 - 10
No. Used	1
Drive - No. Speeds	Direct - 3
CFM vs. in. w.g.	See Fan Performance Table
No. Motors — H.P.	1 - 1/3
Motor Speed R.P.M.	980
Volts/Ph/Hz	208/230V/1Ph/60Hz
F.L. Amps	2.6
FILTER	
Filter Furnished?	No
Type Recommended	Throwaway
No.-Size-Thickness	1 - 16 X 20 - 1 in.
REFRIGERANT	R454B
Ref. Line Connections	Brazed
Coupling or Conn. Size — in. Gas	3/4
Coupling or Conn. Size — in. Liq.	3/8
DIMENSIONS	W x H x D
Crated (In.)	22-5/16x 47-1/8x 25-3/8
Uncrated	19-5/8x 46-1/2x 21-5/8
WEIGHT	
Shipping (Lbs.) / Net (Lbs.)	146/130

Heater Kit Model Used	Electric Heat (kW)	Min. Circuit Ampacity		Max. Fuse or Breaker (HACR) Ampacity		Minimum Heating Blower Speed	
		240V	208V	240V	208V	Without HP	With HP
5JAYHTR1A05BK*	5	26.1	22.6	30	25	1050	1050
5JAYHTR1A08BK*	7.5	39.1	33.9	40	35		
5JAYHTR1A10BK*	10	52.1	45.2	60	50		
5JAYHTR1A15BK*	15	52.1/26.1	45.2/22.6	60/30	50/25		
5JAYHTR1A20BK*	20	52.1/52.1	45.2/45.2	60/60	50/50		

Optional TXV kit part numbers. Some combinations may require a TXV. See AHRI for system combination ratings.

Outdoor Unit Capacity (Tons)	R454B TXV Kit
1.5-3.0	5AYTXVH3A1836A
3.5-4.0	5AYTXVH3A4248A
5.0	5AYTXVH3A6000A

Note: Factory set at Medium High Speed.

Motor Speed		AIR FLOW PERFORMANCE								
		J5AH4P36A1B00AA								
		External Static Pressure-Inches W.C. (kPa)								
			0(.0)	0.1(.02)	0.2(.05)	0.3(.07)	0.4(.10)	0.5(.12)	0.6(.15)	0.7(.17)
Low	CFM	1091	1048	1001	947	851	764	677	571	/
Medium	CFM	1335	1286	1230	1172	1103	986	866	752	/
High	CFM	1526	1467	1403	1335	1259	1181	1030	913	/

Mechanical Specifications

- Unique Cabinet Design
- Metal shell and glass cotton thermal insulation layer
- Multi-Position UP/Down Flow Horizontal Left /Right
- Braze in Refrigerant Connection
- Primary/Secondary Condensate Connections
- Blower with Integrated Slide Deck for Easy Removal
- Inner-groove aluminum tube and high-efficiency aluminum fin Coil with Integrated Slide Deck for Easy Removal
- More auxiliary Electric Heaters optional
- PSC 3 Speed Motor
- High Efficiency
- Integrated Horizontal Drain pans and metal Vertical Drain
- Fused 24V Power
- Suitable for Manufactured/Mobile Home Use.



The manufacturer has a policy of continuous product and product data improvement and it reserves the right to change design and specification without notice.

BX-PRQ- J5AH4P36A1B00AA-1A



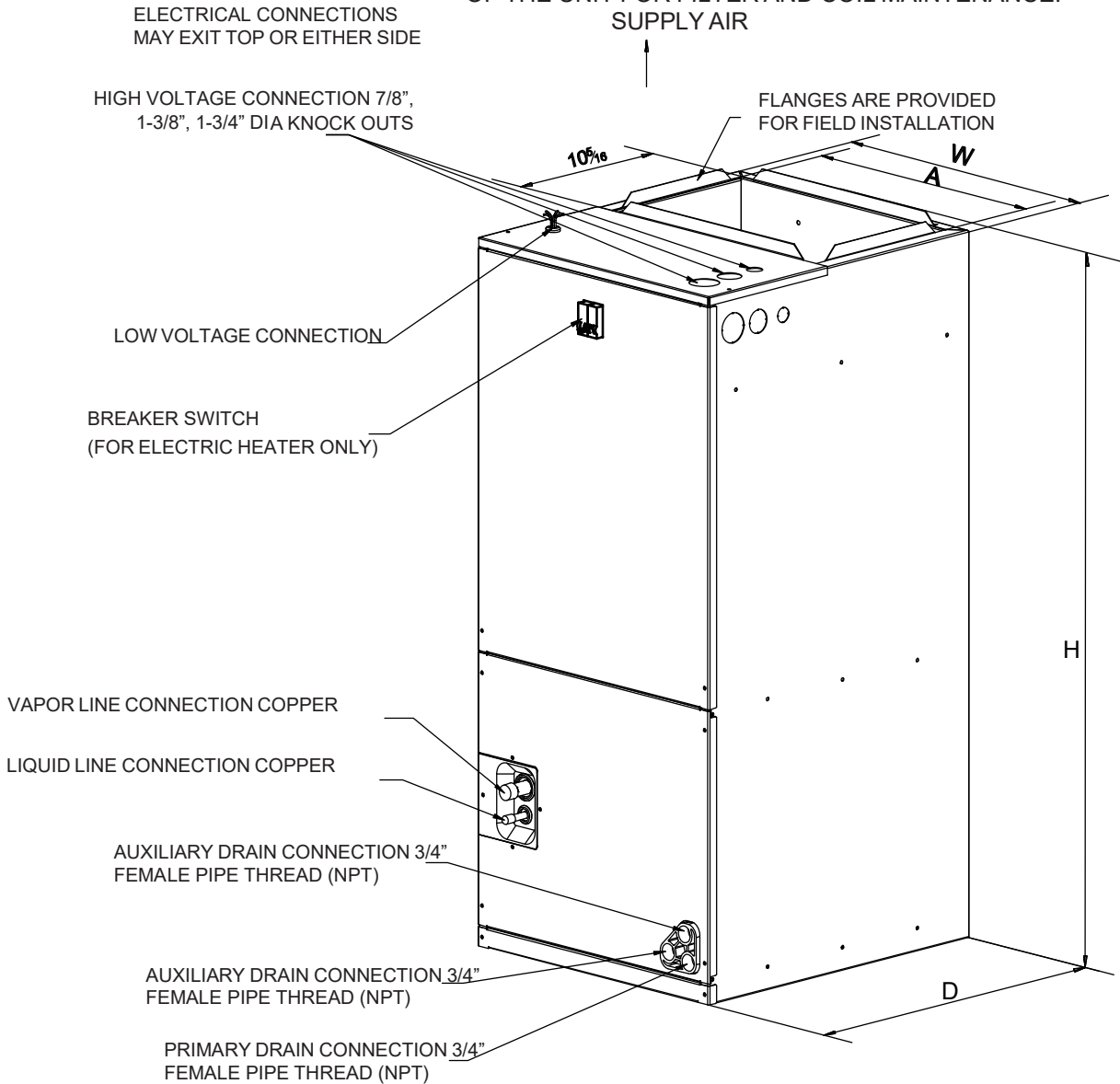
J5AH4P48A1C00AA

TAG: _____

SUBMITTAL

**4 Ton
Multi-position PSC Air Handler
J5AH4P48A1C00AA**

NOTE: 25" CLEARANCE IS REQUIRED IN THE FRONT OF THE UNIT FOR FILTER AND COIL MAINTENANCE.
SUPPLY AIR



NOTE: All dimensions are in inches. UPFLOW UNIT SHOWN; UNIT MAY BE INSTALLED UPFLOW, DOWNFLOW, HORIZONTAL RIGHT, OR LEFT AIR SUPPLY.

Model	W	H	D	A
J5AH4P48A1C00AA	22	54-1/2	24	19-1/2

PRODUCT SPECIFICATIONS

PRODUCT SPECIFICATIONS	
MODEL	J5AH4P48A1C00AA
RATED VOLTS/PH/HZ	208/230V/1Ph/60Hz
RATINGS	See O.D. Specifications
Min. Circuit Amps	4.3A
Max. Fuse or MAX CKT.BKR.	15A
INDOOR COIL — Type	Plate Fin
Rows — F.P.I.	4-17
Face Area (sq. ft.)	6
Tube Size (in.)	9/32
Refrigerant Control	Orifice
Drain Conn. Size (in.)	3/4 FPT
DUCT CONNECTIONS	See Outline Drawing
INDOOR FAN — Type	Centrifugal
MOTOR—Type	PSC
Diameter-Width (In.)	10 - 10
No. Used	1
Drive - No. Speeds	Direct - 3
CFM vs. in. w.g.	See Fan Performance Table
No. Motors — H.P.	1 - 1/2
Motor Speed R.P.M.	900
Volts/Ph/Hz	208/230V/1Ph/60Hz
F.L. Amps	3.4
FILTER	
Filter Furnished?	No
Type Recommended	Throwaway
No.-Size-Thickness	1 - 16 X 20 - 1 in.
REFRIGERANT	R454B
Ref. Line Connections	Brazed
Coupling or Conn. Size — in. Gas	7/8
Coupling or Conn. Size — in. Liq.	3/8
DIMENSIONS	W x H x D
Crated (In.)	24-11/16x 55-3/16x 27-11/16
Uncrated	22x 54-1/2x24
WEIGHT	
Shipping (Lbs.) / Net (Lbs.)	176/159

Heater Kit Model Used	Electric Heat (kW)	Min. Circuit Ampacity		Max. Fuse or Breaker (HACR) Ampacity		Minimum Heating Blower Speed	
		240V	208V	240V	208V	Without HP	With HP
5JAYHTR1A05BK*	5	26.1	22.6	30	25	1400	1400
5JAYHTR1A08BK*	7.5	39.1	33.9	40	35		
5JAYHTR1A10BK*	10	52.1	45.2	60	50		
5JAYHTR1A15BK*	15	52.1/26.1	45.2/22.6	60/30	50/25		
5JAYHTR1A20BK*	20	52.1/52.1	45.2/45.2	60/60	50/50		

Optional TXV kit part numbers. Some combinations may require a TXV. See AHRI for system combination ratings.

Outdoor Unit Capacity (Tons)	R454B TXV Kit
1.5-3.0	5AYTXVH3A1836A
3.5-4.0	5AYTXVH3A4248A
5.0	5AYTXVH3A6000A

Note: Factory set at Medium High Speed.

Motor Speed		AIR FLOW PERFORMANCE								
		J5AH4P48A1C00AA								
		External Static Pressure-Inches W.C. (kPa)								
			0(.0)	0.1(.02)	0.2(.05)	0.3(.07)	0.4(.10)	0.5(.12)	0.6(.15)	0.7(.17)
Low	CFM	1496	1441	1383	1326	1273	1214	1137	872	746
Medium	CFM	1798	1731	1660	1597	1529	1452	1376	1283	921
High	CFM	1970	1896	1819	1737	1662	1580	1501	1411	1291

Mechanical Specifications

- Unique Cabinet Design
- Metal shell and glass cotton thermal insulation layer
- Multi-Position UP/Down Flow Horizontal Left /Right
- Braze in Refrigerant Connection
- Primary/Secondary Condensate Connections
- Blower with Integrated Slide Deck for Easy Removal
- Inner-groove aluminum tube and high-efficiency aluminum fin Coil with Integrated Slide Deck for Easy Removal
- More auxiliary Electric Heaters optional
- PSC 3 Speed Motor
- High Efficiency
- Integrated Horizontal Drain pans and metal Vertical Drain
- Fused 24V Power
- Suitable for Manufactured/Mobile Home Use.



The manufacturer has a policy of continuous product and product data improvement and it reserves the right to change design and specification without notice.

BX-PRQ- J5AH4P48A1C00AA-1A



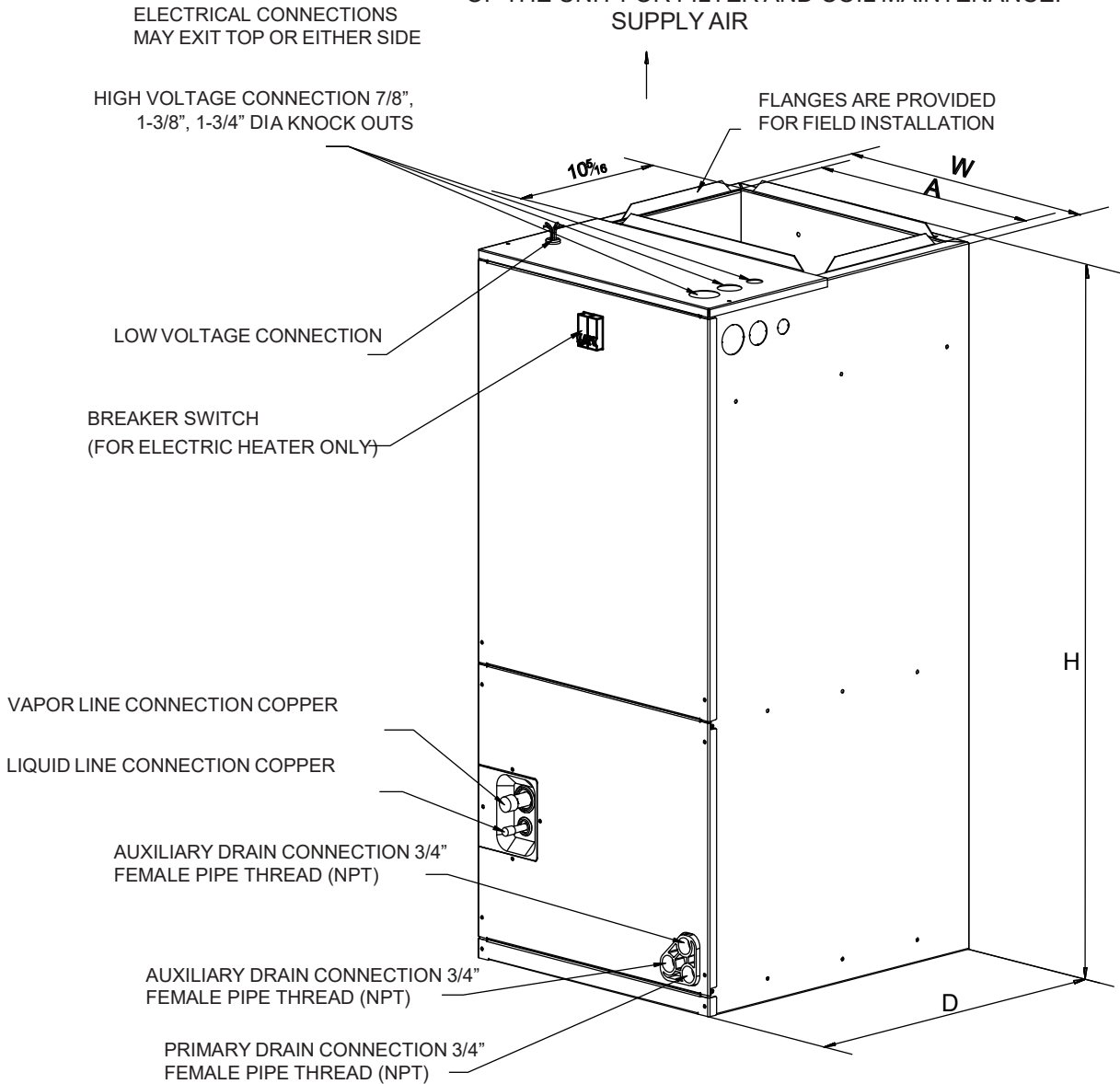
J5AH4P60A1C00AA

TAG: _____

SUBMITTAL

**5 Ton
Multi-position PSC Air Handler
J5AH4P60A1C00AA**

NOTE: 25" CLEARANCE IS REQUIRED IN THE FRONT OF THE UNIT FOR FILTER AND COIL MAINTENANCE.
SUPPLY AIR



UPFLOW UNIT SHOWN;
UNIT MAY BE INSTALLED UPFLOW, DOWNFLOW,
HORIZONTAL RIGHT, OR LEFT AIR SUPPLY.

NOTE: All dimensions are in inches.

Model	W	H	D	A
J5AH4P60A1C00AA	22	54-1/2	24	19-1/2

PRODUCT SPECIFICATIONS

PRODUCT SPECIFICATIONS	
MODEL	J5AH4P60A1C00AA
RATED VOLTS/PH/HZ	208/230V/1Ph/60Hz
RATINGS	See O.D. Specifications
Min. Circuit Amps	5.0A
Max. Fuse or MAX CKT.BKR.	15A
INDOOR COIL — Type	Plate Fin
Rows — F.P.I.	4-17
Face Area (sq. ft.)	6
Tube Size (in.)	9/32
Refrigerant Control	Orifice
Drain Conn. Size (in.)	3/4 FPT
DUCT CONNECTIONS	See Outline Drawing
INDOOR FAN — Type	Centrifugal
MOTOR—Type	PSC
Diameter-Width (In.)	10 - 10
No. Used	1
Drive - No. Speeds	Direct - 3
CFM vs. in. w.g.	See Fan Performance Table
No. Motors — H.P.	1 - 3/4
Motor Speed R.P.M.	1050
Volts/Ph/Hz	208/230V/1Ph/60Hz
F.L. Amps	5.6
FILTER	
Filter Furnished?	No
Type Recommended	Throwaway
No.-Size-Thickness	1 - 16 X 20 - 1 in.
REFRIGERANT	R454B
Ref. Line Connections	Brazed
Coupling or Conn. Size — in. Gas	7/8
Coupling or Conn. Size — in. Liq.	3/8
DIMENSIONS	W × H × D
Crated (In.)	24-11/16× 55-3/16× 27-11/16
Uncrated	22× 54-1/2× 24
WEIGHT	
Shipping (Lbs.) / Net (Lbs.)	176/159

Heater Kit Model Used	Electric Heat (kW)	Min. Circuit Ampacity		Max. Fuse or Breaker (HACR) Ampacity		Minimum HeatingBlower Speed	
		240V	208V	240V	208V	Without HP	With HP
5JAYHTR1A05BK*	5	26.1	22.6	30	25	1750	1750
5JAYHTR1A08BK*	7.5	39.1	33.9	40	35		
5JAYHTR1A10BK*	10	52.1	45.2	60	50		
5JAYHTR1A15BK*	15	52.1/26.1	45.2/22.6	60/30	50/25		
5JAYHTR1A20BK*	20	52.1/52.1	45.2/45.2	60/60	60/50		

Optional TXV kit part numbers. Some combinations may require a TXV. See AHRI for system combination ratings.

Outdoor Unit Capacity (Tons)	R454B TXV Kit
1.5-3.0	5AYTXVH3A1836A
3.5-4.0	5AYTXVH3A4248A
5.0	5AYTXVH3A6000A

Note: Factory set at Medium High Speed.

Motor Speed		AIR FLOW PERFORMANCE								
		J5AH4P60A1C00AA								
		External Static Pressure-Inches W.C. (kPa)								
			0(.0)	0.1(.02)	0.2(.05)	0.3(.07)	0.4(.10)	0.5(.12)	0.6(.15)	0.7(.17)
Low	CFM	1872	1802	1747	1687	1628	1567	1500	1416	1140
Medium	CFM	2080	2012	1948	1886	1821	1753	1684	1604	1505
High	CFM	2198	2120	2068	1979	1908	1836	1760	1677	1584

Mechanical Specifications

- Unique Cabinet Design
- Metal shell and glass cotton thermal insulation layer
- Multi-Position UP/Down Flow Horizontal Left /Right
- Braze in Refrigerant Connection
- Primary/Secondary Condensate Connections
- Blower with Integrated Slide Deck for Easy Removal
- Inner-groove aluminum tube and high-efficiency aluminum fin Coil with Integrated Slide Deck for Easy Removal
- More auxiliary Electric Heaters optional
- PSC 3 Speed Motor
- High Efficiency
- Integrated Horizontal Drain pans and metal Vertical Drain
- Fused 24V Power
- Suitable for Manufactured/Mobile Home Use.



Intertek

OXBOX[™]
A TRANE[®] BRAND

The manufacturer has a policy of continuous product and product data improvement and it reserves the right to change design and specification without notice.

BX-PRQ- J5AH4P60A1C00AA-1A