



engineered for **life™**

Endeavor® Line Select™ Series iC Air Conditioners



WA15AY

Cooling Efficiencies up to: 15.2 SEER2 / 12.0 EER2

Nominal Sizes: 1.5 to 5 Tons [5.28 to 17.6 kW]

Cooling Capacities: 17.1 to 57.0 kBTU [5.0 to 16.7 kW]

Refrigerant Type: R-454B

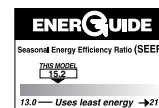


Table of Contents

| | |
|---|------|
| Features and Benefits | 3 |
| Model Number Identification | 4 |
| General Data/Electrical Data | 5 |
| Accessories | 6 |
| Weighted Sound Power | 6 |
| Unit Dimensions | 7 |
| Clearances | 8 |
| Refrigerant Line Size Information | 9-10 |
| Performance Data | 11 |
| Limited Warranty | 12 |

Features and Benefits

- **7mm Condenser Copper Coil:** Requires less refrigerant allowing for a smaller and lighter footprint while enhancing reliability
- **Fully Louvered Steel Cabinet:** Features durable construction to add protection from yard hazards and weather corrosion
- **Easily Accessible Control Box:** Ease of installation and serviceability
- **PlusOne® Refrigerant Detection System™¹:** An integrated one-box, patented design featuring the A2L sensor and mitigation board, offering easier commissioning with a single component and simplified wiring configuration, compatibility with any 24V thermostat application and system protection by automatically pausing outdoor unit operation — if excess refrigerant is detected

¹Factory or field installed in the furnace coil or air handler and is applicable to the complete heating and cooling system featuring Low GWP Refrigerant (A2L).

Air Conditioners

| <u>W</u> | <u>A</u> | <u>15</u> | <u>A</u> | <u>Y</u> | <u>18</u> | <u>A</u> | <u>J</u> | <u>1</u> | <u>N</u> | <u>A</u> |
|-----------|----------------------|-----------------|----------|-------------|---|----------------|--|-------------|-----------------------|----------------|
| Brand | Product Category | SEER2 | Region | Refrigerant | Capacity BTU/HR | Major Series | Voltage | Type | Controls | Minor Series |
| W - Rheem | A - Air Conditioners | 15 - 15.2 SEER2 | A - All | Y - R-454B | 18 - 18,000 [5.28 kW] 24 - 24,000 [7.03 kW] 30 - 30,000 [8.79 kW] 36 - 36,000 [10.55 kW] 42 - 42,000 [12.31 kW] 48 - 48,000 [14.07 kW] 60 - 60,000 [17.58 kW] | A - 1st Design | J - 1 ph, 208/230/60 C - 3 ph, 208/230/60 D - 3 ph, 460/60 | 1 - 1-Stage | N - Non-Communicating | A - 1st Design |

[] Designates Metric Conversions

| AVAILABLE MODELS |
|------------------|
| WA15AY18AJ1NA |
| WA15AY24AJ1NA |
| WA15AY30AJ1NA |
| WA15AY36AJ1NA |
| WA15AY42AJ1NA |
| WA15AY48AJ1NA |
| WA15AY60AJ1NA |
| WA15AY36AC1NA |
| WA15AY42AC1NA |
| WA15AY48AC1NA |
| WA15AY60AC1NA |
| WA15AY36AD1NA |
| WA15AY42AD1NA |
| WA15AY48AD1NA |
| WA15AY60AD1NA |

| STANDARD EQUIPMENT |
|---------------------------------|
| R-454B Refrigerant |
| Scroll Compressor |
| Field Installed Filter Drier |
| Front Seating Service Valves |
| Internal Pressure Relief Valve |
| Internal Thermal Overload |
| Long Line capability |
| Low Ambient capability with Kit |
| Optimized Venturi Airflow |
| Rust resistant screws |
| QR code |
| External gauge ports |

| General Data | | | | | | | |
|--|---------------------|---------------------|---------------------|---------------------|---------------------|---------------------|---------------------|
| MODEL NO. | WA15AY18 | WA15AY24 | WA15AY30 | WA15AY36 | WA15AY42 | WA15AY48 | WA15AY60 |
| Nominal Tonnage | 1.5 | 2.0 | 2.5 | 3.0 | 3.5 | 4.0 | 5.0 |
| Valve Connections | | | | | | | |
| Liquid Line O.D. – in. | 3/8 | 3/8 | 3/8 | 3/8 | 3/8 | 3/8 | 3/8 |
| Suction Line O.D. – in. | 3/4 | 3/4 | 3/4 | 3/4 | 7/8 | 7/8 | 7/8 |
| Refrigerant (R-454B) furnished oz.¹ | 92 | 112 | 92 | 104 | 142 | 142 | 192 |
| Compressor Type | Scroll | | | | | | |
| Outdoor Coil | | | | | | | |
| Net face area – Outer Coil | 10.9 | 13.3 | 14.3 | 16.4 | 19.5 | 19.5 | 27.9 |
| Net face area – Inner Coil | 10.5 | 12.9 | 13.9 | 15.9 | 18.8 | 18.8 | 27.1 |
| Tube diameter – in. | 0.276 | 0.276 | 0.276 | 0.276 | 0.276 | 0.276 | 0.276 |
| Number of rows | 2 | 2 | 2 | 2 | 2 | 2 | 2 |
| Fins per inch | 24 | 24 | 24 | 24 | 24 | 24 | 24 |
| Outdoor Fan | | | | | | | |
| Diameter – in. | 20 | 24 | 24 | 24 | 24 | 24 | 26 |
| Number of blades | 2 | 2 | 2 | 2 | 3 | 3 | 3 |
| Motor hp | 1/7 | 1/6 | 1/6 | 1/6 | 1/5 | 1/5 | 1/5 |
| CFM | 2156 | 2723 | 2813 | 2944 | 3431 | 3606 | 4169 |
| RPM | 1075 | 825 | 825 | 825 | 850 | 850 | 850 |
| Watts | 152 | 161 | 170 | 174 | 225 | 251 | 245 |
| Shipping weight – lbs. | 174 | 196 | 208 | 226 | 205 | 260 | 296 |
| Operating weight – lbs. | 150 | 168 | 180 | 194 | 171 | 225 | 246 |
| Electrical Data | | | | | | | |
| Line Voltage Data (Volts-Phase-Hz) | 208/230-1-60 | 208/230-1-60 | 208/230-1-60 | 208/230-1-60 | 208/230-1-60 | 208/230-1-60 | 208/230-1-60 |
| Maximum overcurrent protection (amps)² | 15 | 20 | 25 | 30 | 30 | 50 | 50 |
| Minimum circuit ampacity³ | 12 | 13 | 17 | 18 | 20 | 30 | 31 |
| Compressor | | | | | | | |
| Rated load amps | 8.3 | 9.2 | 12.7 | 13.5 | 14.7 | 22.4 | 23.7 |
| Locked rotor amps | 41.5 | 59.0 | 75.6 | 75.0 | 109.0 | 126.0 | 157.0 |
| Condenser Fan Motor | | | | | | | |
| Full load amps | 0.8 | 0.8 | 0.8 | 0.8 | 1.0 | 1.0 | 1.0 |
| Locked rotor amps | 1.5 | 1.7 | 1.7 | 1.7 | 2.6 | 2.6 | 2.6 |
| Line Voltage Data (Volts-Phase-Hz) | — | — | — | 208/230-3-60 | 208/230-3-60 | 208/230-3-60 | 208/230-3-60 |
| Maximum overcurrent protection (amps)² | — | — | — | 20.0 | 25.0 | 25.0 | 35.0 |
| Minimum circuit ampacity³ | — | — | — | 13.0 | 17.0 | 18.0 | 22.0 |
| Compressor | | | | | | | |
| Rated load amps | — | — | — | 9.0 | 12.2 | 12.0 | 16.0 |
| Locked rotor amps | — | — | — | 70.0 | 102.8 | 123.0 | 156.4 |
| Condenser Fan Motor | | | | | | | |
| Full load amps | — | — | — | 0.8 | 1.0 | 1.0 | 1.0 |
| Locked rotor amps | — | — | — | 1.7 | 2.6 | 2.6 | 2.6 |
| Line Voltage Data (Volts-Phase-Hz) | — | — | — | 460-3-60 | 460-3-60 | 460-3-60 | 460-3-60 |
| Maximum overcurrent protection (amps)² | — | — | — | 15.0 | 15.0 | 15.0 | 15.0 |
| Minimum circuit ampacity³ | — | — | — | 6.0 | 9.0 | 9.0 | 10.0 |
| Compressor | | | | | | | |
| Rated load amps | — | — | — | 3.8 | 5.8 | 6.3 | 7.1 |
| Locked rotor amps | — | — | — | 39.0 | 50.0 | 60.0 | 69.0 |
| Condenser Fan Motor | | | | | | | |
| Full load amps | — | — | — | 0.50 | 0.80 | 0.80 | 0.80 |
| Locked rotor amps | — | — | — | 0.90 | 1.40 | 1.40 | 1.40 |

¹Refrigerant charge sufficient for 15 ft. length of refrigerant lines. For longer line set requirements see the installation instructions for information about set length and additional refrigerant charge required.

²HACR type circuit breaker or fuse.

³Refer to National Electrical Code manual to determine wire, fuse and disconnect size requirements.

Accessories

| MODEL NO. | WA15AY18 | WA15AY24 | WA15AY30 | WA15AY36 | WA15AY42 | WA15AY48 | WA15AY60 |
|---|----------------|----------------|----------------|--|--|--|--|
| Compressor crankcase heater ¹ (with temperature thermostat) | 44-101884-08 | 44-101884-08 | 44-101884-08 | 208/230V: 44-101884-08 460V: 44-101884-09 | 208/230V: 44-103663-16 ² 460V: 44-101884-06 ² | 208/230V: 44-103663-16 460V: 44-101884-06 | 208/230V: 44-103663-16 ³ 460V: 44-101884-06 ³ |
| Compressor crankcase heater (without temperature thermostat) | 44-17402-44 | 44-17402-44 | 44-17402-44 | 208/230V: 44-17402-44 460V: 442040 | 208/230V: 44-17402-45 460V: 44-17402-46 | 208/230V: 44-17402-45 460V: 44-17402-46 | 208/230V: 44-17402-45 460V: 44-17402-46 |
| Low ambient control | RXAD-A08 | RXAD-A08 | RXAD-A08 | RXAD-A08 | RXAD-A08 | RXAD-A08 | RXAD-A08 |
| Compressor sound cover | 68-23427-26 | 68-23427-26 | 68-23427-26 | 68-23427-26 | 68-23427-25 | 68-23427-25 | 68-23427-25 |
| Compressor hard start kit | SK-A1 | SK-A1 | SK-A1 | SK-A1 | SK-A1 | SK-A1 | SK-A1 |
| Compressor time delay | RXMD-B01 | RXMD-B01 | RXMD-B01 | RXMD-B01 | RXMD-B01 | RXMD-B01 | RXMD-B01 |
| Low pressure control | RXAC-A10 | RXAC-A10 | RXAC-A10 | RXAC-A10 | RXAC-A10 | RXAC-A10 | RXAC-A10 |
| High pressure control | RXAB-A08 | RXAB-A08 | RXAB-A08 | RXAB-A08 | RXAB-A08 | RXAB-A08 | RXAB-A08 |
| Liquid Line Solenoid (24 VAC, 50/60 Hz) | Solenoid Valve | 200RD2T3TVLC | 200RD2T3TVLC | 200RD2T3TVLC | 200RD2T3TVLC | 200RD2T3TVLC | 200RD2T3TVLC |
| | Solenoid Coil | 61-AMG24V | 61-AMG24V | 61-AMG24V | 61-AMG24V | 61-AMG24V | 61-AMG24V |
| Liquid Line Solenoid (120/240 VAC, 50/60 Hz) | Solenoid Valve | 200RD2T3TVLC | 200RD2T3TVLC | 200RD2T3TVLC | 200RD2T3TVLC | 200RD2T3TVLC | 200RD2T3TVLC |
| | Solenoid Coil | 61-AMG120/240V | 61-AMG120/240V | 61-AMG120/240V | 61-AMG120/240V | 61-AMG120/240V | 61-AMG120/240V |

¹Crankcase heater recommended with Low Ambient Kit.

²WA15AY42: 208/230V LG models come with 44-101884-08 factory installed. 460V LG models come with 44-101884-09 factory-installed.

³WA15AY60: All 208/230V models come with 44-103663-16 factory-installed. All 460V models come with 44-101884-06 factory-installed.

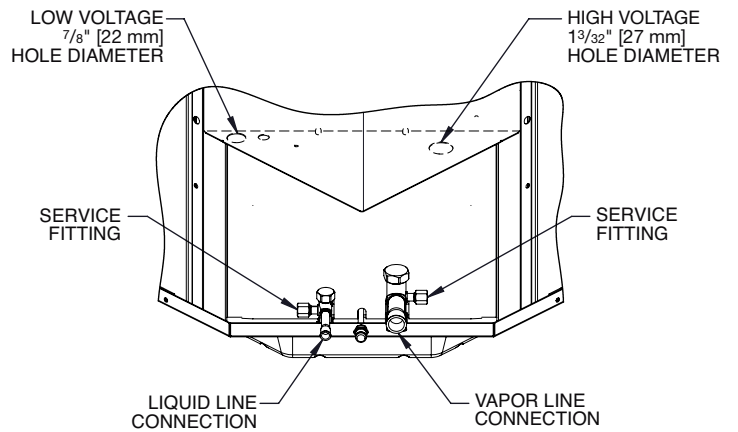
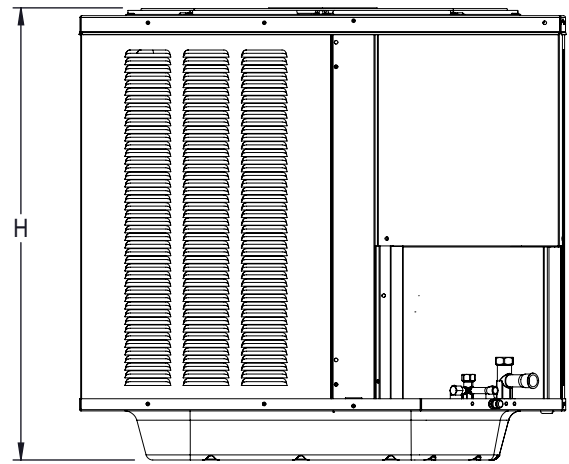
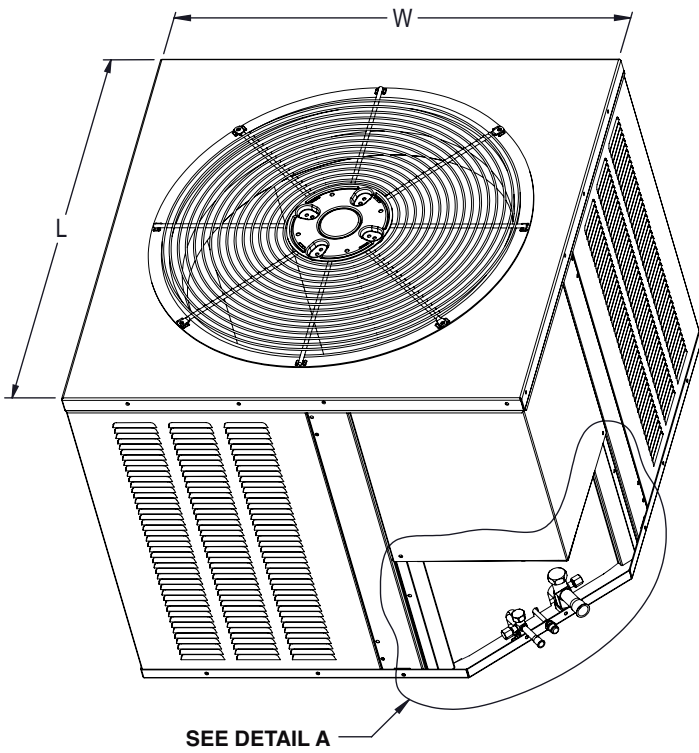
Weighted Sound Power Level (dBA)

| Unit Size - Voltage, Series | Standard Rating (dBA) | TYPICAL OCTAVE BAND SPECTRUM (dBA without tone adjustment) | | | | | | |
|--------------------------------|--------------------------|--|-----|-----|------|------|------|------|
| | | 125 | 250 | 500 | 1000 | 2000 | 4000 | 8000 |
| WA15AY18 | 71 | 48 | 56 | 62 | 61 | 57 | 54 | 46 |
| WA15AY24 | 69 | 45 | 54 | 59 | 58 | 56 | 51 | 46 |
| WA15AY30 | 71 | 45 | 55 | 60 | 59 | 57 | 54 | 46 |
| WA15AY36 | 72 | 45 | 53 | 60 | 61 | 59 | 56 | 48 |
| WA15AY42 | 73 | 47 | 55 | 64 | 62 | 59 | 55 | 48 |
| WA15AY48 | 74 | 45 | 56 | 64 | 63 | 61 | 57 | 51 |
| WA15AY60 | 76 | 43 | 60 | 67 | 66 | 63 | 59 | 53 |

NOTE: Tested in accordance with AHRI Standard 270-08 (not listed in AHRI)

Unit Dimensions

| MODEL NO. | OPERATING | | | | | | SHIPPING | | | | | |
|-----------|------------|------|------------|-----|-----------|-----|------------|------|------------|-----|-----------|-----|
| | H (Height) | | L (Length) | | W (Width) | | H (Height) | | L (Length) | | W (Width) | |
| | INCHES | mm | INCHES | mm | INCHES | mm | INCHES | mm | INCHES | mm | INCHES | mm |
| WA15AY18 | 25.17 | 639 | 29.54 | 750 | 29.54 | 750 | 27.06 | 687 | 32.63 | 829 | 32.63 | 829 |
| WA15AY24 | 25.17 | 639 | 33.66 | 855 | 33.66 | 855 | 27.06 | 687 | 36.63 | 930 | 36.63 | 930 |
| WA15AY30 | 27.17 | 690 | 33.66 | 855 | 33.66 | 855 | 29.06 | 738 | 36.63 | 930 | 36.63 | 930 |
| WA15AY36 | 31.17 | 792 | 33.66 | 855 | 33.66 | 855 | 33.06 | 840 | 36.63 | 930 | 36.63 | 930 |
| WA15AY42 | 35.17 | 893 | 33.66 | 855 | 33.66 | 855 | 37.06 | 941 | 36.63 | 930 | 36.63 | 930 |
| WA15AY48 | 35.17 | 893 | 33.66 | 855 | 33.66 | 855 | 37.06 | 941 | 36.63 | 930 | 36.63 | 930 |
| WA15AY60 | 45.17 | 1300 | 35.43 | 903 | 35.43 | 903 | 47.06 | 1348 | 38.63 | 981 | 38.63 | 981 |



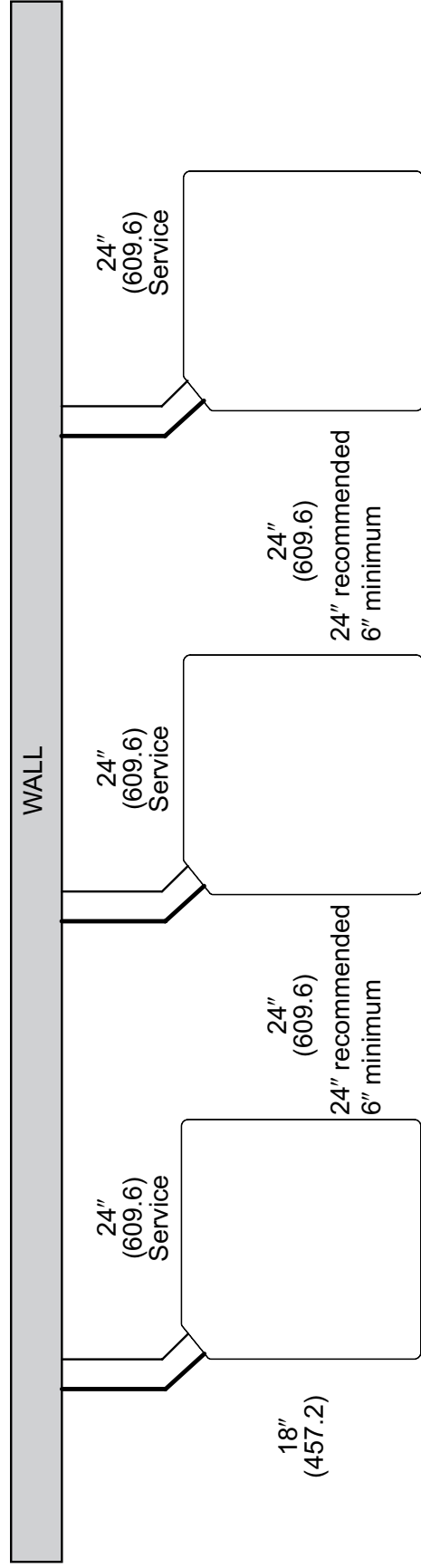
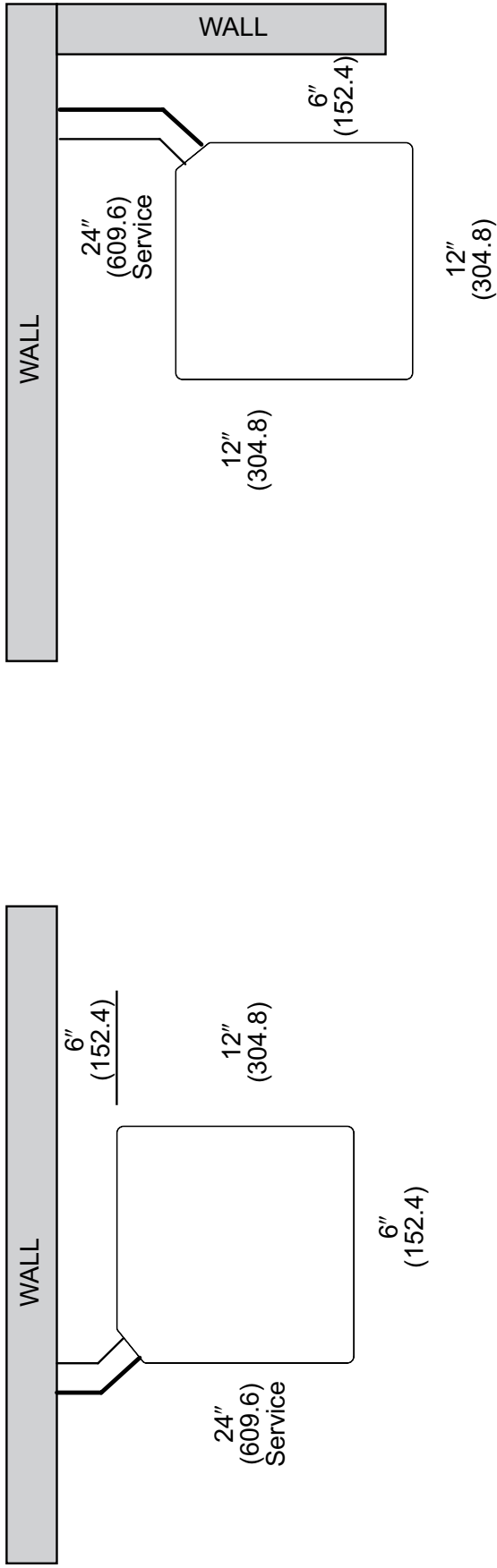
ST-A1331-01

DETAIL A

NOTE: Illustrations show the deep drawn basepan.

[] Designates Metric Conversions

CLEARANCES



NOTE: NUMBERS IN () = mm

IMPORTANT: When installing multiple units in an alcove, roof well or partially enclosed area, ensure there is adequate ventilation to prevent re-circulation of discharge air.

Refrigerant Line Size Information

| 15.2 SEER2 AC R-454B | | | | | | | | | | | | |
|----------------------|----------------------------|-----------------------------|---|---------|---------|----------|----------|----------|----------|----------|----------|----------|
| Unit Size | Allowable Liquid Line Size | Allowable Suction Line Size | Equivalent Length (Feet) | | | | | | | | | |
| | | | 0-25 | 26-50 | 51-75 | 76-100 | 101-125 | 126-150 | 151-175 | 176-200 | 201-225 | 226-250 |
| | | | Maximum Vertical Rise (Outdoor Unit Below Indoor Unit) */ Capacity Multiplier | | | | | | | | | |
| 1.5 Ton | 1/4" | 5/8" | 25/1 | 50/0.99 | 61/0.99 | 41/0.98 | 21/0.98 | 1/0.98 | 0/0.98 | 0/0.98 | 0/0.97 | 0/0.97 |
| | 5/16" | 5/8" | 25/1 | 50/0.99 | 75/0.99 | 100/0.98 | 98/0.98 | 93/0.98 | 87/0.98 | 82/0.98 | 78/0.97 | 75/0.97 |
| | 3/8" | 5/8" | 25/1 | 50/0.99 | 75/0.99 | 100/0.98 | 117/0.98 | 115/0.98 | 114/0.98 | 112/0.98 | 111/0.97 | 110/0.97 |
| | 1/4" | 3/4" | 25/1 | 50/1 | 61/1 | 41/0.99 | 21/0.99 | 1/0.99 | 0/0.99 | 0/0.99 | 0/0.99 | 0/0.98 |
| | 5/16" | 3/4" | 25/1 | 50/1 | 75/1 | 100/0.99 | 98/0.99 | 93/0.99 | 87/0.99 | 82/0.99 | 78/0.99 | 75/0.98 |
| | 3/8" | 3/4" | 25/1 | 50/1 | 75/1 | 100/0.99 | 117/0.99 | 115/0.99 | 114/0.99 | 112/0.99 | 111/0.99 | 110/0.98 |
| 2 Ton | 1/4" | 5/8" | 25/1 | 50/0.99 | 25/0.98 | 0/0.98 | 0/0.98 | 0/0.97 | 0/0.96 | 0/0.97 | 0/0.96 | 0/0.95 |
| | 5/16" | 5/8" | 25/1 | 50/0.99 | 75/0.98 | 88/0.98 | 79/0.98 | 70/0.97 | 62/0.96 | 53/0.97 | 46/0.96 | 40/0.95 |
| | 3/8" | 5/8" | 25/1 | 50/0.99 | 75/0.98 | 100/0.98 | 109/0.98 | 106/0.97 | 103/0.96 | 100/0.97 | 97/0.96 | 94/0.95 |
| | 1/4" | 3/4" | 25/1 | 50/1 | 25/0.99 | 0/0.99 | 0/0.99 | 0/0.98 | 0/0.98 | 0/0.99 | 0/0.99 | 0/0.98 |
| | 5/16" | 3/4" | 25/1 | 50/1 | 75/0.99 | 88/0.99 | 79/0.99 | 70/0.98 | 62/0.98 | 53/0.99 | 46/0.99 | 40/0.98 |
| | 3/8" | 3/4" | 25/1 | 50/1 | 75/0.99 | 100/0.99 | 109/0.99 | 106/0.98 | 103/0.98 | 100/0.99 | 97/0.99 | 94/0.98 |
| 2.5 Ton | 5/16" | 5/8" | 25/0.99 | 50/0.98 | 75/0.98 | 69/0.97 | 56/0.98 | 43/0.96 | 30/0.94 | 17/0.93 | 6/0.92 | 0/0.93 |
| | 3/8" | 5/8" | 25/0.99 | 50/0.98 | 75/0.98 | 100/0.97 | 101/0.98 | 96/0.96 | 92/0.94 | 87/0.93 | 83/0.92 | 78/0.93 |
| | 5/16" | 3/4" | 25/1 | 50/0.99 | 75/0.99 | 69/0.98 | 56/0.98 | 43/0.99 | 30/0.98 | 17/0.98 | 6/0.97 | 0/0.97 |
| | 3/8" | 3/4" | 25/1 | 50/0.99 | 75/0.99 | 100/0.98 | 101/0.98 | 96/0.99 | 92/0.98 | 87/0.98 | 83/0.97 | 78/0.97 |
| 3 Ton | 5/16" | 5/8" | 25/0.99 | 50/0.98 | 65/0.97 | 47/0.97 | 28/0.94 | 11/0.93 | 0/0.92 | 0/0.91 | 0/0.9 | 0/0.9 |
| | 3/8" | 5/8" | 25/0.99 | 50/0.98 | 75/0.97 | 97/0.97 | 91/0.94 | 85/0.93 | 78/0.92 | 72/0.91 | 66/0.9 | 60/0.9 |
| | 5/16" | 3/4" | 25/1 | 50/0.99 | 65/0.98 | 47/0.99 | 28/0.98 | 11/0.98 | 0/0.97 | 0/0.96 | 0/0.96 | 0/0.98 |
| | 3/8" | 3/4" | 25/1 | 50/0.99 | 75/0.98 | 97/0.99 | 91/0.98 | 85/0.98 | 78/0.97 | 72/0.96 | 66/0.96 | 60/0.98 |
| | 1/2" | 3/4" | 25/1 | 50/0.99 | 75/0.98 | 100/0.99 | 118/0.98 | 117/0.98 | 115/0.97 | 115/0.96 | 114/0.96 | 112/0.98 |
| | 5/16" | 7/8" | 25/1 | 50/1 | 65/0.99 | 47/0.99 | 28/0.99 | 11/0.98 | 0/0.98 | 0/0.99 | 0/0.99 | 0/0.99 |
| | 3/8" | 7/8" | 25/1 | 50/1 | 75/0.99 | 97/0.99 | 91/0.99 | 85/0.98 | 78/0.98 | 72/0.99 | 66/0.99 | 60/0.99 |
| | 1/2" | 7/8" | 25/1 | 50/1 | 75/0.99 | 100/0.99 | 118/0.99 | 117/0.98 | 115/0.98 | 115/0.99 | 114/0.99 | 112/0.99 |
| 3.5 Ton | 3/8" | 3/4" | 25/0.99 | 50/0.99 | 75/0.99 | 88/0.98 | 80/0.97 | 72/0.96 | 64/0.98 | 55/0.96 | 47/0.95 | 39/0.95 |
| | 1/2" | 3/4" | 25/0.99 | 50/0.99 | 75/0.99 | 100/0.98 | 116/0.97 | 114/0.96 | 112/0.98 | 111/0.96 | 109/0.95 | 108/0.95 |
| | 3/8" | 7/8" | 25/1 | 50/0.99 | 75/0.99 | 88/0.99 | 80/0.98 | 72/0.99 | 64/0.99 | 55/0.98 | 47/0.98 | 39/0.98 |
| | 1/2" | 7/8" | 25/1 | 50/0.99 | 75/0.99 | 100/0.99 | 116/0.98 | 114/0.99 | 112/0.99 | 111/0.98 | 109/0.98 | 108/0.98 |
| 4 Ton | 3/8" | 3/4" | 25/0.99 | 50/0.98 | 75/0.98 | 78/0.97 | 68/0.96 | 57/0.97 | 46/0.95 | 36/0.94 | 25/0.93 | 15/0.93 |
| | 1/2" | 3/4" | 25/0.99 | 50/0.98 | 75/0.98 | 100/0.97 | 113/0.96 | 111/0.97 | 109/0.95 | 107/0.94 | 105/0.93 | 104/0.93 |
| | 3/8" | 7/8" | 25/1 | 50/0.99 | 75/0.99 | 78/0.98 | 68/0.99 | 57/0.98 | 46/0.98 | 36/0.98 | 25/0.97 | 15/0.97 |
| | 1/2" | 7/8" | 25/1 | 50/0.99 | 75/0.99 | 100/0.98 | 113/0.99 | 111/0.98 | 109/0.98 | 107/0.98 | 105/0.97 | 104/0.97 |
| 5 Ton | 3/8" | 3/4" | 25/0.99 | 50/0.98 | 70/0.97 | 54/0.97 | 38/0.94 | 22/0.93 | 6/0.92 | 0/0.9 | 0/0.89 | 0/0.89 |
| | 1/2" | 3/4" | 25/0.99 | 50/0.98 | 75/0.97 | 100/0.97 | 107/0.94 | 104/0.93 | 101/0.92 | 97/0.9 | 95/0.89 | 93/0.89 |
| | 3/8" | 7/8" | 25/0.99 | 50/0.99 | 70/0.98 | 54/0.98 | 38/0.98 | 22/0.97 | 6/0.96 | 0/0.98 | 0/0.97 | 0/0.96 |
| | 1/2" | 7/8" | 25/0.99 | 50/0.99 | 75/0.98 | 100/0.98 | 107/0.98 | 104/0.97 | 101/0.96 | 97/0.98 | 95/0.97 | 93/0.96 |
| | 3/8" | 1-1/8" | 25/1 | 50/1 | 70/1 | 54/0.99 | 38/0.99 | 22/0.99 | 6/0.99 | 0/0.99 | 0/0.99 | 0/0.98 |
| | 1/2" | 1-1/8" | 25/1 | 50/1 | 75/1 | 100/0.99 | 107/0.99 | 104/0.99 | 101/0.99 | 97/0.99 | 95/0.99 | 93/0.98 |

NOTES:

Maximum Equivalent Line Length may not exceed 250'.

Maximum Actual Line Length may not exceed 200'.

Light Grey shaded areas are considered long line and may require accessories as recommended in Long Line Set Guide.

DO NOT use suction line traps in the suction riser as this adds additional unwanted pressure drop in the system.

Refrigerant Line Size Information (Con't.)

| 15.2 SEER2 AC R-454B | | | | | | | | | | | | |
|----------------------|----------------------------|-----------------------------|---|----------|-----------|-----------|-----------|-----------|---------|---------|-----------|-----------|
| Unit Size | Allowable Liquid Line Size | Allowable Suction Line Size | Equivalent Length (Meters) | | | | | | | | | |
| | | | 0-7.6 | 7.9-15.2 | 15.5-22.9 | 23.2-30.5 | 30.8-38.1 | 38.4-45.7 | 46-53.3 | 53.6-61 | 61.3-68.6 | 68.9-76.2 |
| | | | Maximum Vertical Rise (Outdoor Unit Below Indoor Unit) */ Capacity Multiplier | | | | | | | | | |
| 1.5 Ton | 1/4" | 5/8" | 8/1 | 15/0.99 | 19/0.99 | 12/0.98 | 6/0.98 | 0/0.98 | 0/0.98 | 0/0.98 | 0/0.97 | 0/0.97 |
| | 5/16" | 5/8" | 8/1 | 15/0.99 | 23/0.99 | 30/0.98 | 30/0.98 | 28/0.98 | 27/0.98 | 25/0.98 | 24/0.97 | 23/0.97 |
| | 3/8" | 5/8" | 8/1 | 15/0.99 | 23/0.99 | 30/0.98 | 36/0.98 | 35/0.98 | 35/0.98 | 34/0.98 | 34/0.97 | 34/0.97 |
| | 1/4" | 3/4" | 8/1 | 15/1 | 19/1 | 12/0.99 | 6/0.99 | 0/0.99 | 0/0.99 | 0/0.99 | 0/0.99 | 0/0.98 |
| | 5/16" | 3/4" | 8/1 | 15/1 | 23/1 | 30/0.99 | 30/0.99 | 28/0.99 | 27/0.99 | 25/0.99 | 24/0.99 | 23/0.98 |
| | 3/8" | 3/4" | 8/1 | 15/1 | 23/1 | 30/0.99 | 36/0.99 | 35/0.99 | 35/0.99 | 34/0.99 | 34/0.99 | 34/0.98 |
| 2 Ton | 1/4" | 5/8" | 8/1 | 15/0.99 | 8/0.98 | 0/0.98 | 0/0.98 | 0/0.97 | 0/0.96 | 0/0.97 | 0/0.96 | 0/0.95 |
| | 5/16" | 5/8" | 8/1 | 15/0.99 | 23/0.98 | 27/0.98 | 24/0.98 | 21/0.97 | 19/0.96 | 16/0.97 | 14/0.96 | 12/0.95 |
| | 3/8" | 5/8" | 8/1 | 15/0.99 | 23/0.98 | 30/0.98 | 33/0.98 | 32/0.97 | 31/0.96 | 30/0.97 | 30/0.96 | 29/0.95 |
| | 1/4" | 3/4" | 8/1 | 15/1 | 8/0.99 | 0/0.99 | 0/0.99 | 0/0.98 | 0/0.98 | 0/0.99 | 0/0.99 | 0/0.98 |
| | 5/16" | 3/4" | 8/1 | 15/1 | 23/0.99 | 27/0.99 | 24/0.99 | 21/0.98 | 19/0.98 | 16/0.99 | 14/0.99 | 12/0.98 |
| | 3/8" | 3/4" | 8/1 | 15/1 | 23/0.99 | 30/0.99 | 33/0.99 | 32/0.98 | 31/0.98 | 30/0.99 | 30/0.99 | 29/0.98 |
| 2.5 Ton | 5/16" | 5/8" | 8/0.99 | 15/0.98 | 23/0.98 | 21/0.97 | 17/0.98 | 13/0.96 | 9/0.94 | 5/0.93 | 2/0.92 | 0/0.93 |
| | 3/8" | 5/8" | 8/0.99 | 15/0.98 | 23/0.98 | 30/0.97 | 31/0.98 | 29/0.96 | 28/0.94 | 27/0.93 | 25/0.92 | 24/0.93 |
| | 5/16" | 3/4" | 8/1 | 15/0.99 | 23/0.99 | 21/0.98 | 17/0.98 | 13/0.99 | 9/0.98 | 5/0.98 | 2/0.97 | 0/0.97 |
| | 3/8" | 3/4" | 8/1 | 15/0.99 | 23/0.99 | 30/0.98 | 31/0.98 | 29/0.99 | 28/0.98 | 27/0.98 | 25/0.97 | 24/0.97 |
| 3 Ton | 5/16" | 5/8" | 8/0.99 | 15/0.98 | 20/0.97 | 14/0.97 | 9/0.94 | 3/0.93 | 0/0.92 | 0/0.91 | 0/0.9 | 0/0.9 |
| | 3/8" | 5/8" | 8/0.99 | 15/0.98 | 23/0.97 | 30/0.97 | 28/0.94 | 26/0.93 | 24/0.92 | 22/0.91 | 20/0.9 | 18/0.9 |
| | 5/16" | 3/4" | 8/1 | 15/0.99 | 20/0.98 | 14/0.99 | 9/0.98 | 3/0.98 | 0/0.97 | 0/0.96 | 0/0.96 | 0/0.98 |
| | 3/8" | 3/4" | 8/1 | 15/0.99 | 23/0.98 | 30/0.99 | 28/0.98 | 26/0.98 | 24/0.97 | 22/0.96 | 20/0.96 | 18/0.98 |
| | 1/2" | 3/4" | 8/1 | 15/0.99 | 23/0.98 | 30/0.99 | 36/0.98 | 36/0.98 | 35/0.97 | 35/0.96 | 35/0.96 | 34/0.98 |
| | 5/16" | 7/8" | 8/1 | 15/1 | 20/0.99 | 14/0.99 | 9/0.99 | 3/0.98 | 0/0.98 | 0/0.99 | 0/0.99 | 0/0.99 |
| | 3/8" | 7/8" | 8/1 | 15/1 | 23/0.99 | 30/0.99 | 28/0.99 | 26/0.98 | 24/0.98 | 22/0.99 | 20/0.99 | 18/0.99 |
| | 1/2" | 7/8" | 8/1 | 15/1 | 23/0.99 | 30/0.99 | 36/0.99 | 36/0.98 | 35/0.98 | 35/0.99 | 35/0.99 | 34/0.99 |
| 3.5 Ton | 3/8" | 3/4" | 8/0.99 | 15/0.99 | 23/0.99 | 27/0.98 | 24/0.97 | 22/0.96 | 20/0.98 | 17/0.96 | 14/0.95 | 12/0.95 |
| | 1/2" | 3/4" | 8/0.99 | 15/0.99 | 23/0.99 | 30/0.98 | 35/0.97 | 35/0.96 | 34/0.98 | 34/0.96 | 33/0.95 | 33/0.95 |
| | 3/8" | 7/8" | 8/1 | 15/0.99 | 23/0.99 | 27/0.99 | 24/0.98 | 22/0.99 | 20/0.99 | 17/0.98 | 14/0.98 | 12/0.98 |
| | 1/2" | 7/8" | 8/1 | 15/0.99 | 23/0.99 | 30/0.99 | 35/0.98 | 35/0.99 | 34/0.99 | 34/0.98 | 33/0.98 | 33/0.98 |
| 4 Ton | 3/8" | 3/4" | 8/0.99 | 15/0.98 | 23/0.98 | 24/0.97 | 21/0.96 | 17/0.97 | 14/0.95 | 11/0.94 | 8/0.93 | 5/0.93 |
| | 1/2" | 3/4" | 8/0.99 | 15/0.98 | 23/0.98 | 30/0.97 | 34/0.96 | 34/0.97 | 33/0.95 | 33/0.94 | 32/0.93 | 32/0.93 |
| | 3/8" | 7/8" | 8/1 | 15/0.99 | 23/0.99 | 24/0.98 | 21/0.99 | 17/0.98 | 14/0.98 | 11/0.98 | 8/0.97 | 5/0.97 |
| | 1/2" | 7/8" | 8/1 | 15/0.99 | 23/0.99 | 30/0.98 | 34/0.99 | 34/0.98 | 33/0.98 | 33/0.98 | 32/0.97 | 32/0.97 |
| 5 Ton | 3/8" | 3/4" | 8/0.99 | 15/0.98 | 21/0.97 | 16/0.97 | 12/0.94 | 7/0.93 | 2/0.92 | 0/0.9 | 0/0.89 | 0/0.89 |
| | 1/2" | 3/4" | 8/0.99 | 15/0.98 | 23/0.97 | 30/0.97 | 33/0.94 | 32/0.93 | 31/0.92 | 30/0.9 | 29/0.89 | 28/0.89 |
| | 3/8" | 7/8" | 8/0.99 | 15/0.99 | 21/0.98 | 16/0.98 | 12/0.98 | 7/0.97 | 2/0.96 | 0/0.98 | 0/0.97 | 0/0.96 |
| | 1/2" | 7/8" | 8/0.99 | 15/0.99 | 23/0.98 | 30/0.98 | 33/0.98 | 32/0.97 | 31/0.96 | 30/0.98 | 29/0.97 | 28/0.96 |
| | 3/8" | 1-1/8" | 8/1 | 15/1 | 21/1 | 16/0.99 | 12/0.99 | 7/0.99 | 2/0.99 | 0/0.99 | 0/0.99 | 0/0.98 |
| | 1/2" | 1-1/8" | 8/1 | 15/1 | 23/1 | 30/0.99 | 33/0.99 | 32/0.99 | 31/0.99 | 30/0.99 | 29/0.99 | 28/0.98 |

NOTES:
 Maximum Equivalent Line Length may not exceed 76 meters.
 Maximum Actual Line Length may not exceed 61 meters.
 Light Grey shaded areas are considered long line and may require accessories as recommended in Long Line Set Guide.
DO NOT use suction line traps in the suction riser as this adds additional unwanted pressure drop in the system.

Performance Data @ AHRI Standard Conditions – Cooling

| DESIGNATED TESTED COMBINATION (DTC) | | | | | | | |
|-------------------------------------|--------------|------------------------------|----------------------------|--------------------------|-------|------|---------------------|
| Outdoor Unit | Indoor Coil | Total Capacity BTU/H [kW] | Net Sensible BTU/H [kW] | Net Latent BTU/H [kW] | SEER2 | EER2 | Indoor CFM [L/s] |
| WA15AY18AJ1 | RCFY2417STAN | 17,100 [5.0] | 13,100 [3.8] | 4,000 [1.2] | 14.3 | 11.7 | 600 [283.2] |
| WA15AY24AJ1 | RCFY2417STAN | 22,800 [6.7] | 17,500 [5.1] | 5,300 [1.6] | 14.3 | 11.7 | 735 [346.9] |
| WA15AY30AJ1 | RCFY3621MTAN | 28,600 [8.4] | 21,800 [6.4] | 6,800 [2.0] | 14.3 | 11.7 | 910 [429.5] |
| WA15AY36AJ1 | RCFY3621MTAN | 33,600 [9.8] | 25,200 [7.4] | 8,400 [2.5] | 14.3 | 11.7 | 1,030 [486.1] |
| WA15AY42AJ1 | RCFY4821STAA | 40,000 [11.7] | 29,500 [8.6] | 9,000 [2.6] | 14.3 | 11.7 | 1,300 [613.5] |
| WA15AY48AJ1 | RCFY4821STAA | 45,500 [13.3] | 34,500 [10.1] | 10,500 [3.1] | 13.8 | 11.7 | 1,425 [672.5] |
| WA15AY60AJ1 | RCFY6024STAN | 56,000 [16.4] | 42,900 [12.6] | 13,100 [3.8] | 13.8 | 11.7 | 1,575 [743.3] |
| WA15AY36AC1 | RCFY3621MTAN | 33,600 [9.8] | 25,200 [7.4] | 8,400 [2.5] | 14.3 | 11.7 | 1,030 [486.1] |
| WA15AY42AC1 | RCFY4221STAA | 40,000 [11.7] | 30,700 [9.0] | 9,300 [2.7] | 14.3 | 11.7 | 1,300 [613.5] |
| WA15AY48AC1 | RCFY4821STAA | 45,500 [13.3] | 34,900 [10.2] | 10,600 [3.1] | 13.8 | 11.7 | 1,425 [672.5] |
| WA15AY60AC1 | RCFY6024STAN | 56,000 [16.4] | 42,900 [12.6] | 13,100 [3.8] | 13.8 | 11.7 | 1,575 [743.3] |
| WA15AY36AD1 | RCFY3621MTAN | 33,600 [9.8] | 25,200 [7.4] | 8,400 [2.5] | 14.3 | 11.7 | 1,030 [486.1] |
| WA15AY42AD1 | RCFY4221STAA | 40,000 [11.7] | 30,700 [9.0] | 9,300 [2.7] | 14.3 | 11.7 | 1,300 [613.5] |
| WA15AY48AD1 | RCFY4821STAA | 45,500 [13.3] | 34,900 [10.2] | 10,600 [3.1] | 13.8 | 11.7 | 1,425 [672.5] |
| WA15AY60AD1 | RCFY6024STAN | 56,000 [16.4] | 42,900 [12.6] | 13,100 [3.8] | 13.8 | 11.7 | 1,575 [743.3] |

NOTE: This data includes DTC (Designated Test Combination) ratings and is for reference purposes only. A full listing of official ratings and system match-ups, along with downloadable certificates, can be accessed from the AHRI website: www.ahridirectory.org.

[] Designates Metric Conversions



engineered for life™

GENERAL TERMS OF LIMITED WARRANTY*

Rheem will furnish a replacement for any part of this product which fails in normal use and service within the applicable period stated, in accordance with the terms of the limited warranty.

***For complete details of the Limited and Conditional Warranties, including applicable terms and conditions, contact your local contractor or the Manufacturer for a copy of the product warranty certificate.**

Conditional Parts
(Registration Required)..... Ten (10) Years

Before proceeding with installation, refer to installation instructions packaged with each model, as well as complying with all Federal, State, Provincial, and Local codes, regulations, and practices.

© 2025 Rheem Manufacturing Company. Trademarks are property of their respective owners.

In keeping with its policy of continuous progress and product improvement, manufacturer reserves the right to make changes without notice.

5600 Old Greenwood Road
Fort Smith, Arkansas 72908 • Rheem.com

125 Edgeware Road, Unit 1
Brampton, Ontario • L6Y 0P5 • Rheem.ca