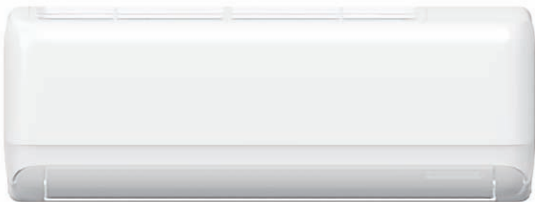




SPLIT TYPE

SUBMITTAL

Model: TWH09ATCXB-D3DNA3A



Model		TWH09ATCXB-D3DNA3A	
Power Supply	Rated Voltage	V~	208/230
	Rated Frequency	Hz	60
	Phases	-	1
Power Supply Mode		-	Outdoor
Cooling Capacity		Btu/h	9100
Heating Capacity		Btu/h	10000
Cooling Power Input		W	805
Heating Power Input		W	781
Cooling Current		A	3.75
Heating Current		A	3.9
Rated Input		W	1450
Rated Current		A	6.5
EER		(Btu/h)/W	11.30
COP		(Btu/h)/W	12.80
SEER		-	19.5(SEER)/19.5(SEER2)
HSPF		-	10(HSPF)8.8(HSPF2)
Air Flow Volume		CFM	353/282/264/229/211/194/158
Dehumidifying Volume		Pint/d	1.69
Application Area		yd ²	14-22
Indoor Unit Model		TWH09ATCXB-D3DNA3AI	
Indoor Unit	Fan Type	-	Cross-flow
	Fan Diameter Length(D × L)	mm	Φ94 × 630
	Cooling Speed	r/min	1350/1150/1100/1000/950/850/750
	Heating Speed	r/min	1300/1100/1050/1000/950/850/800
	Fan Motor Power Output	W	20
	Fan Motor RLA	A	0.30
	Fan Motor Capacitor	μF	1.5
	Heater Power Input	W	72
	Evaporator Form	-	Aluminum Fin-copper Tube
	Evaporator Pipe Diameter	mm	Φ5
	Evaporator Row-fin Gap	mm	2-1.3
	Evaporator Coil Length (L × D × W)	mm	634 × 22.8 × 266.7
	Swing Motor Model	-	MP24HF
	Swing Motor Power Output	W	1.5
	Fuse Current	A	3.15
	Sound Pressure Level	dB (A)	Cooling:41/37/34/32/31/28/26 Heating:41/36/34/32/31/28/26
	Sound Power Level	dB (A)	Cooling:51/47/44/42/41/38/36 Heating:51/46/44/42/41/38/36
	Dimension (W × H × D)	inch	32 7/8 × 10 53/64 × 7 7/8
	Package Carton Dimension (L × W × H)	inch	35 1/32 × 12 61/64 × 10 15/64
	Package Dimension (L × W × H)	inch	35 15/64 × 13 37/64 × 10 43/64
	Net Weight	lb	19.8
Gross Weight	lb	24.3	

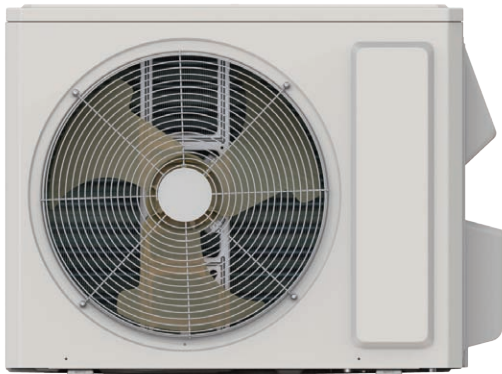
Job Name:

Schedule Reference:

Date:



Model: TWH09ATCXB-D3DNA3A



Outdoor Unit Model		TWH09ATCXB-D3DNA3AO	
Outdoor Unit	Compressor Manufacturer	-	ZHUHAI LANDA COMPRESSOR CO.,LTD
	Compressor Model	-	QXF-A082zC170
	Compressor Oil	-	ZE-G;ES RB68GX or equivalent
	Compressor Type	-	Rotary
	Compressor LRA.	A	/
	Compressor RLA	A	5.20
	Compressor Power Input	W	756.6
	Compressor Overload Protector	-	/
	Fan Type	-	Axial-flow
	Fan Diameter	mm	Φ400
	Fan Motor Speed	rpm	850
	Fan Motor Power Output	W	30
	Fan Motor RLA	A	0.40
	Fan Motor Capacitor	μF	/
	Outdoor Unit Air Flow Volume	CFM	1148
	Condenser Form	-	Aluminum Fin-copper Tube
	Condenser Pipe Diameter	mm	Φ7
	Condenser Rows-fin Gap	mm	1-1.2
	Condenser Coil Length (L × D × W)	mm	666 × 19.05 × 527
	Permissible Excessive Operating Pressure for the Discharge Side	MPa	4.3
	Permissible Excessive Operating Pressure for the Suction Side	MPa	2.5
	Maximum Allowable Pressure	MPa	4.3
	Set Temperature Range	°F	61~86
	Cooling Operation Ambient Temperature Range	°F	0~115
	Heating Operation Ambient Temperature Range	°F	-4~75
	Throttling Method	-	Capillary
	Defrosting Method	-	Automatic Defrosting
	Climate Type	-	T1
	Isolation	-	I
	Moisture Protection	-	IPX4
	Sound Pressure Level	dB (A)	51
	Sound Power Level	dB (A)	61
	Dimension (W × H × D)	inch	28 13/16 × 21 27/32 × 12 63/64
Dimension of Carton Box (L × W × H)	inch	31 9/64 × 14 11/16 × 23 15/64	
Dimension of Package(L × W × H)	inch	31 17/64 × 14 51/64 × 24 7/32	
Net Weight	lb	56	
Gross Weight	lb	61.7	
Refrigerant	-	R410A	
Refrigerant Charge	oz	24.7	
Connection Pipe	Length	ft	24.6
	Gas Additional Charge	oz/ft	0.215
	Outer Diameter Liquid Pipe	inch	1/4
	Outer Diameter Gas Pipe	inch	3/8
	Max. Height Distance	ft	39.37
Max. Length Distance	ft	65.62	
Note: The connection pipe applies metric diameter.			

The above data is subject to change without notice. Please refer to the nameplate of the unit.

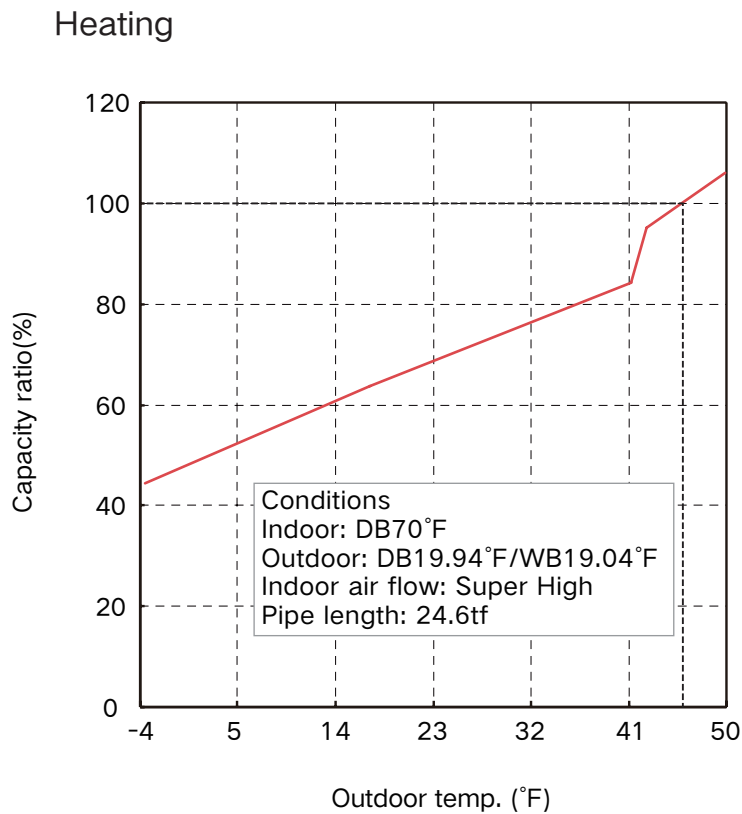
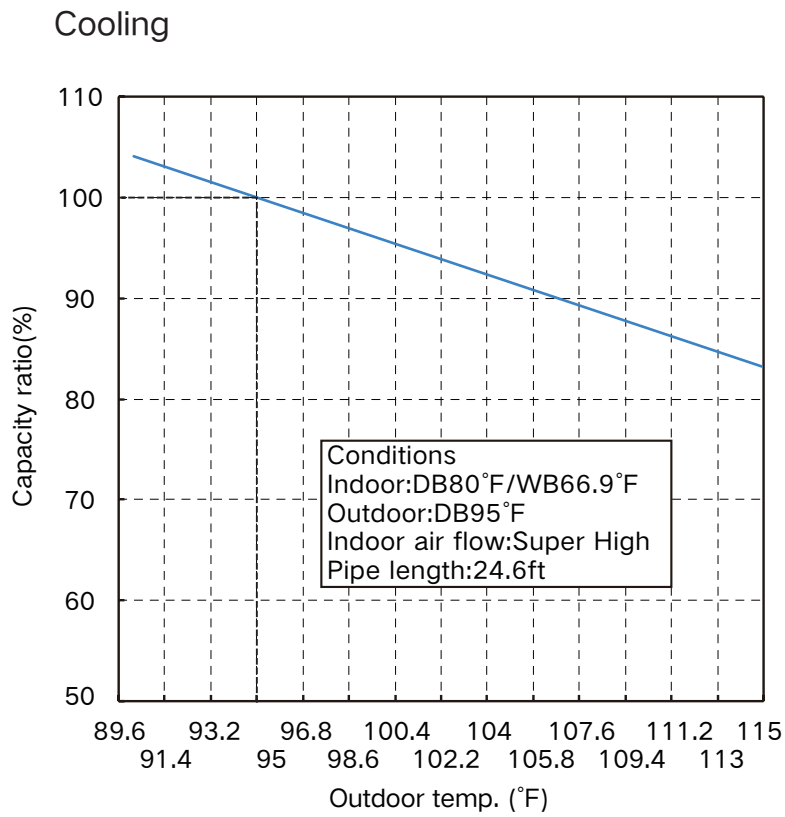
Job Name:

Schedule Reference:

Date:

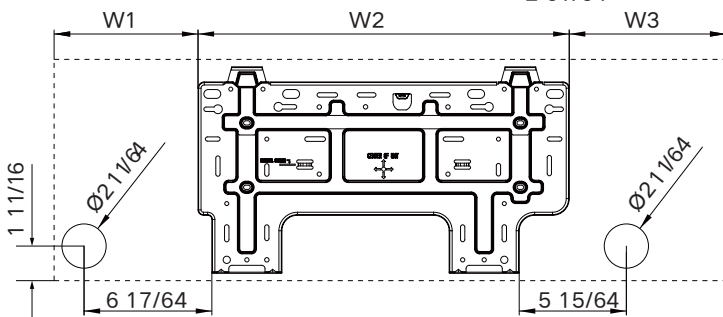
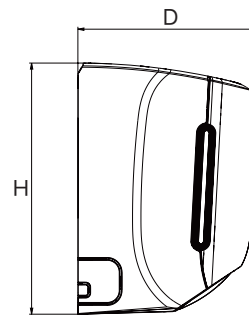
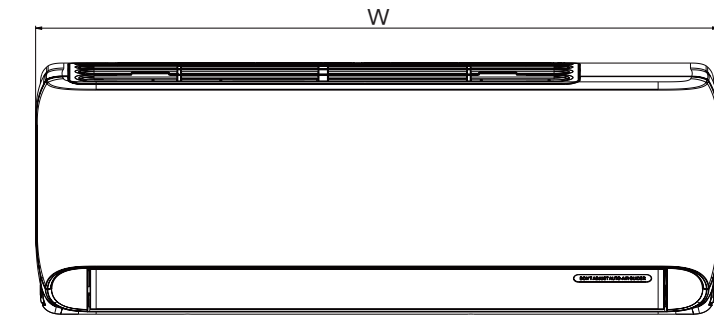


Capacity Variation Ratio According to Temperature



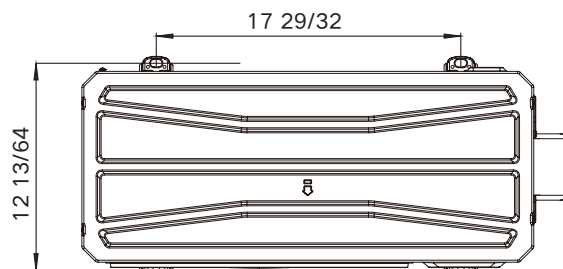
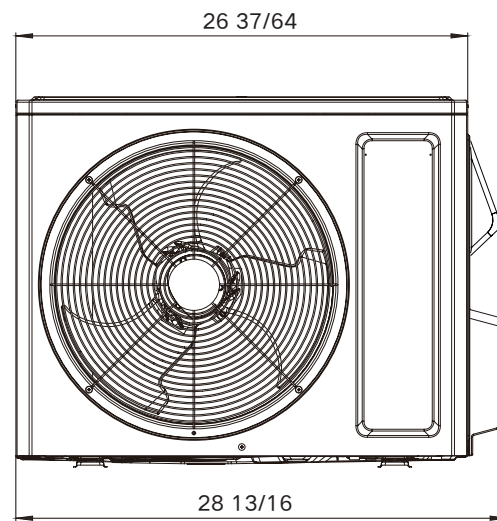
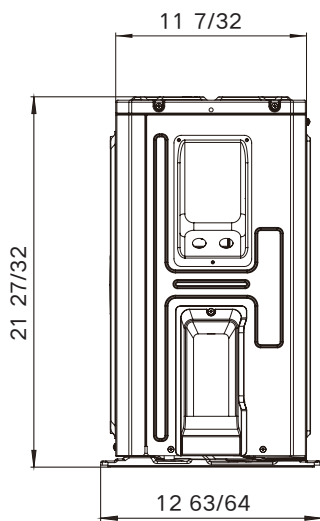


Outline Dimension Diagram



Unit: inch

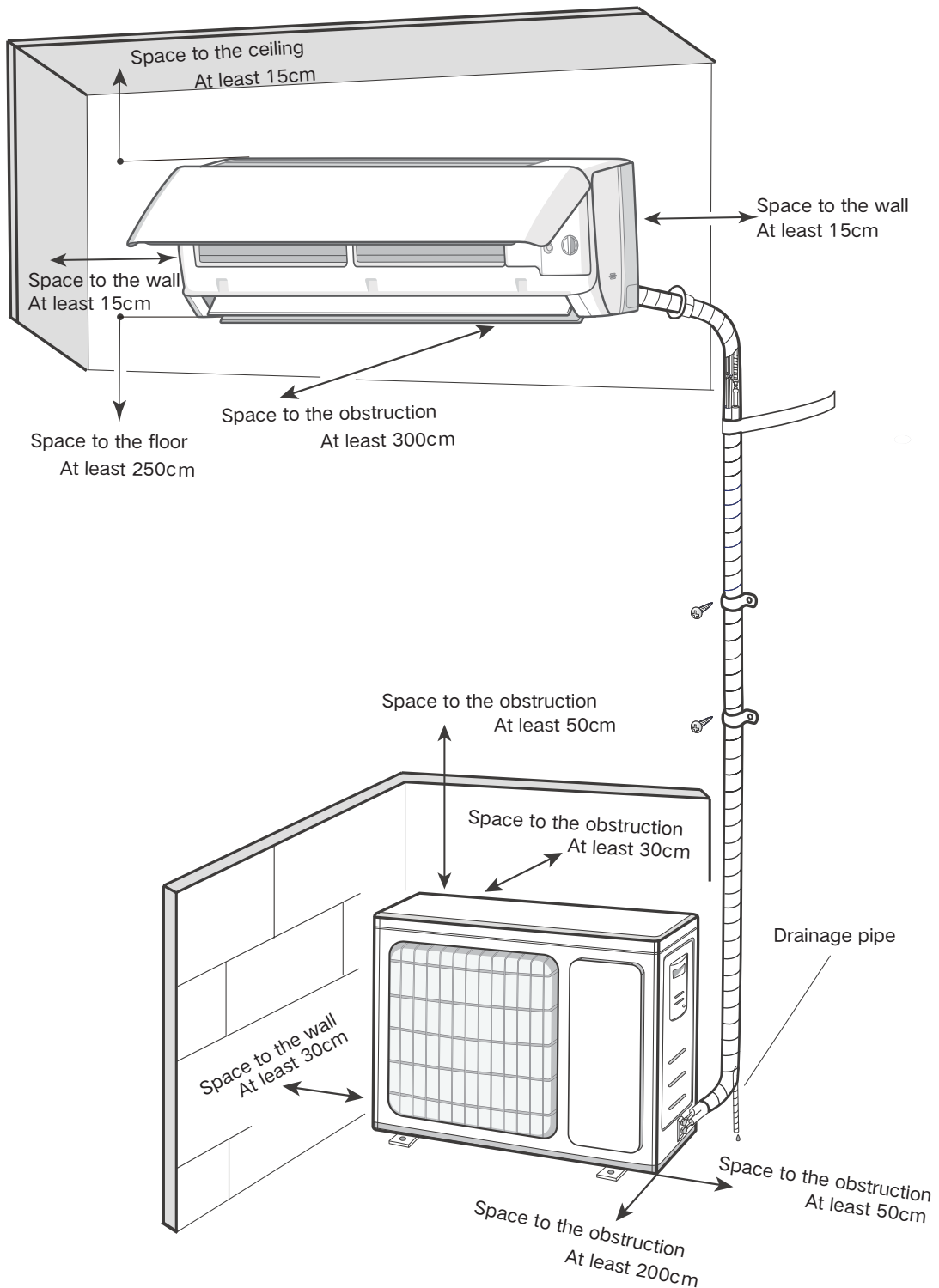
Model	W	H	D
ATC	32 7/8	10 53/64	7 7/8
	W1	W2	W3
	7 3/64	18 5/32	7 11/16



Unit:inch



Installation Dimension Diagram

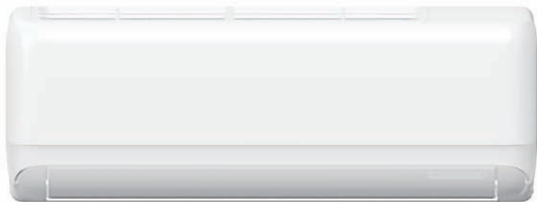




SPLIT TYPE

SUBMITTAL

Model: TWH12ATCXB-D3DNA3C



Model		TWH12ATCXB-D3DNA3C	
Power Supply	Rated Voltage	V~	208/230
	Rated Frequency	Hz	60
	Phases	-	1
Power Supply Mode		-	Outdoor
Cooling Capacity		Btu/h	12000
Heating Capacity		Btu/h	12000
Cooling Power Input		W	1380
Heating Power Input		W	1004
Cooling Current		A	6.2
Heating Current		A	4.5
Rated Input		W	1650
Rated Current		A	6.2
EER		(Btu/h)/W	8.7
COP		(Btu/h)/W	11.95
SEER		-	17.5(SEER) 17.5(SEER2)
HSPF		-	10(HSPF) 8.5(HSPF2)
Air Flow Volume		CFM	424/353/324/277/247/224/182
Dehumidifying Volume		Pint/d	2.96
Application Area		yd ²	19-29
Indoor Unit Model		TWH12ATCXB-D3DNA3CI	
Indoor Unit	Fan Type	-	Cross-flow
	Fan Diameter Length(D × L)	mm	Φ94 × 630
	Cooling Speed	r/min	1550/1200/1120/1050/980/920/750
	Heating Speed	r/min	1450/1200/1140/1080/1020/960/900
	Fan Motor Power Output	W	15
	Fan Motor RLA	A	0.40
	Fan Motor Capacitor	μ F	/
	Heater Power Input	W	/
	Evaporator Form	-	Aluminum Fin-copper Tube
	Evaporator Pipe Diameter	mm	Φ5
	Evaporator Row-fin Gap	mm	2-1.3
	Evaporator Coil Length (L × D × W)	mm	634 × 22.8 × 266.7
	Swing Motor Model	-	MP24HF
	Swing Motor Power Output	W	1.5
	Fuse Current	A	3.15
	Sound Pressure Level	dB (A)	Cooling:47/39/38/35/33/32/27 Heating:44/39/37/36/34/32/30
	Sound Power Level	dB (A)	Cooling:57/49/48/45/43/42/37 Heating:54/49/47/46/44/42/40
	Dimension (W × H × D)	inch	32 5/64 × 10 53/64 × 7 7/8
	Package Carton Dimension (L × W × H)	inch	35 3/64 × 12 61/64 × 10 15/64
	Package Dimension (L × W × H)	inch	35 15/64 × 13 37/64 × 10 43/64
	Net Weight	lb	19.8
Gross Weight	lb	24.3	

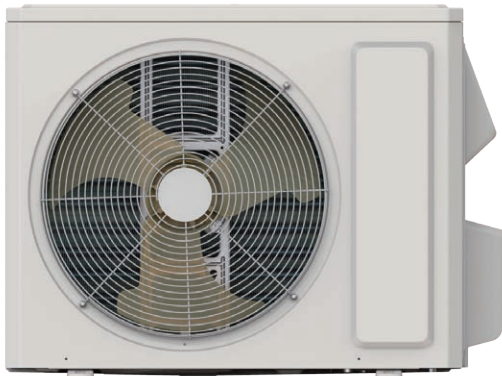
Job Name:

Schedule Reference:

Date:



Model: TWH12ATCXB-D3DNA3C



Outdoor Unit Model		TWH12ATCXB-D3DNA3CO	
Outdoor Unit	Compressor Manufacturer	-	ZHUHAI LANDA COMPRESSOR CO.,LTD
	Compressor Model	-	FTz-AN108ACBD
	Compressor Oil	-	FW68DA or equivalent
	Compressor Type	-	Rotary
	Compressor LRA.	A	/
	Compressor RLA	A	7.30
	Compressor Power Input	W	857
	Compressor Overload Protector	-	/
	Fan Type	-	Axial-flow
	Fan Diameter	mm	Φ400
	Fan Motor Speed	rpm	900
	Fan Motor Power Output	W	30
	Fan Motor RLA	A	0.60
	Fan Motor Capacitor	μF	/
	Outdoor Unit Air Flow Volume	CFM	1148
	Condenser Form	-	Aluminum Fin-copper Tube
	Condenser Pipe Diameter	mm	Φ5
	Condenser Rows-fin Gap	mm	1-1.2
	Condenser Coil Length (L × D × W)	mm	677 × 19.05 × 528
	Permissible Excessive Operating Pressure for the Discharge Side	MPa	4.3
	Permissible Excessive Operating Pressure for the Suction Side	MPa	2.5
	Maximum Allowable Pressure	MPa	4.3
	Set Temperature Range	°F	61~86
	Cooling Operation Ambient Temperature Range	°F	0~115
	Heating Operation Ambient Temperature Range	°F	-4~75
	Throttling Method	-	Capillary
	Defrosting Method	-	Automatic Defrosting
	Climate Type	-	T1
	Isolation	-	I
	Moisture Protection	-	IPX4
	Sound Pressure Level	dB (A)	52
	Sound Power Level	dB (A)	62
	Dimension (W × H × D)	inch	28 13/16 × 21 27/32 × 12 63/64
Dimension of Carton Box (L × W × H)	inch	31 9/64 × 14 11/16 × 23 15/64	
Dimension of Package(L × W × H)	inch	31 17/64 × 14 51/64 × 24 7/32	
Net Weight	lb	57.33	
Gross Weight	lb	62.842	
Refrigerant	-	R410A	
Refrigerant Charge	oz	27.5	
Connection Pipe	Length	ft	24.6
	Gas Additional Charge	oz/ft	0.22
	Outer Diameter Liquid Pipe	inch	1/4
	Outer Diameter Gas Pipe	inch	3/8
	Max. Height Distance	ft	32.8
	Max. Length Distance	ft	65.6
Note: The connection pipe applies metric diameter.			

The above data is subject to change without notice. Please refer to the nameplate of the unit.

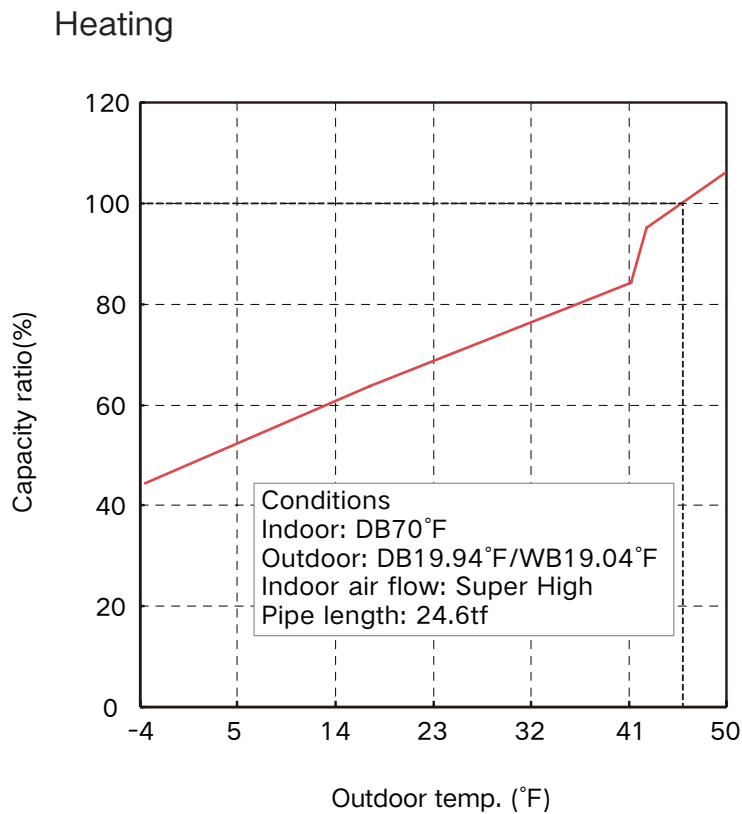
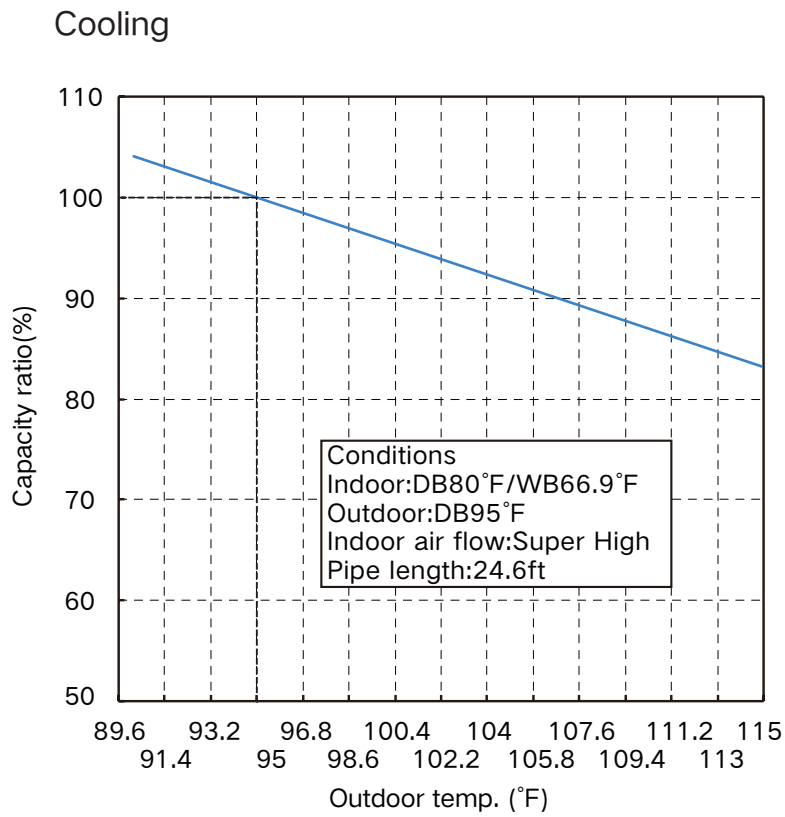
Job Name:

Schedule Reference:

Date:

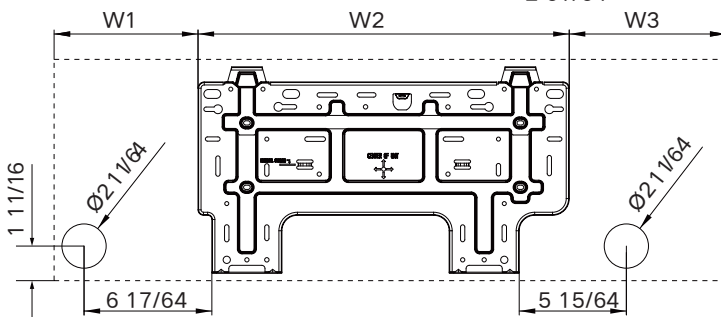
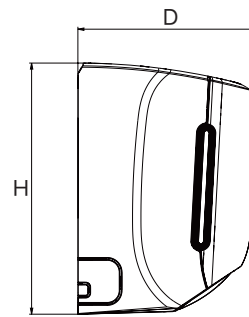
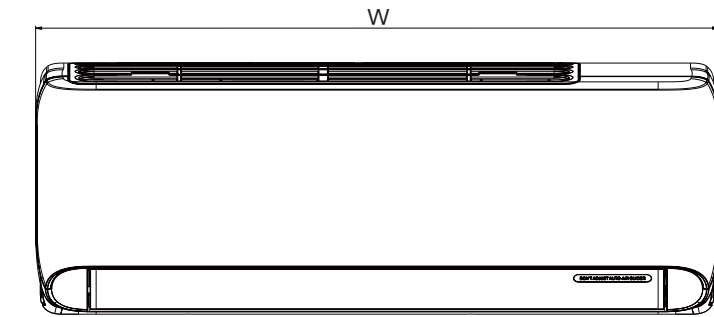


Capacity Variation Ratio According to Temperature



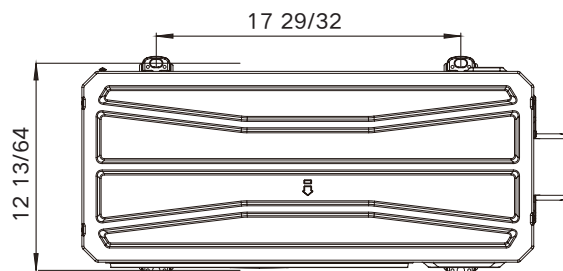
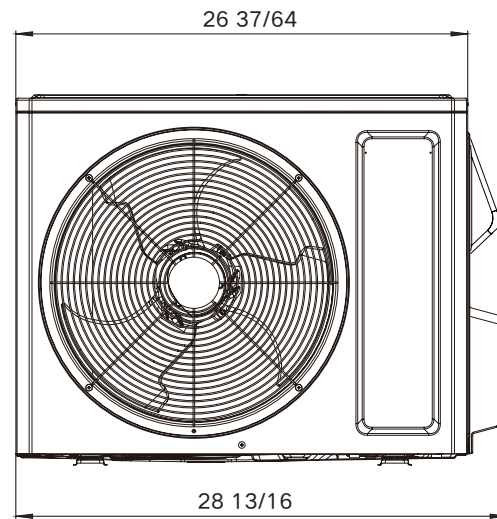
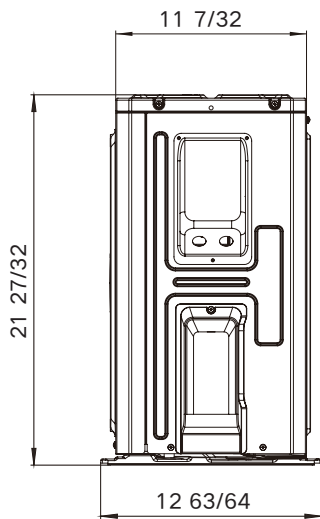


Outline Dimension Diagram



Unit: inch

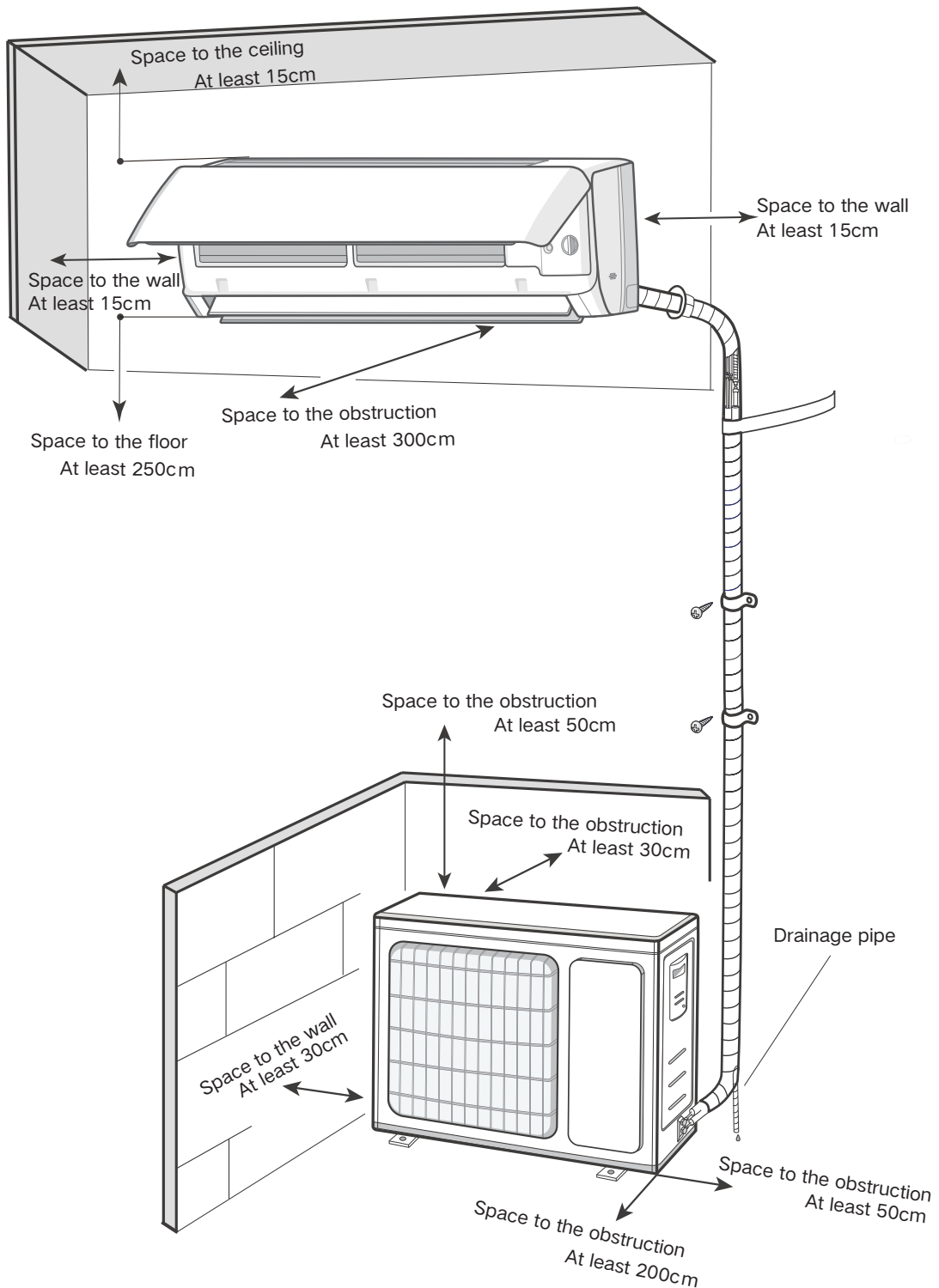
Model	W	H	D
ATC	32 7/8	10 53/64	7 7/8
	W1	W2	W3
	7 3/64	18 5/32	7 11/16



Unit:inch



Installation Dimension Diagram

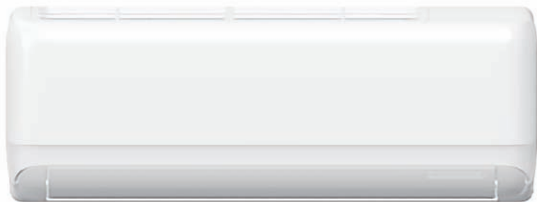




SPLIT TYPE

SUBMITTAL

Model: TWH18ATDXD-D3DNA3A



Model		TWH18ATDXD-D3DNA3A	
Power Supply	Rated Voltage	V~	208/230
	Rated Frequency	Hz	60
	Phases	-	1
Power Supply Mode		-	Outdoor
Cooling Capacity		Btu/h	17600
Heating Capacity		Btu/h	19100
Cooling Power Input		W	1750
Heating Power Input		W	1750
Cooling Current		A	7.95
Heating Current		A	7.95
Rated Input		W	2300
Rated Current		A	9.5
EER		(Btu/h)/W	10.05
COP		(Btu/h)/W	10.90
SEER		-	17.5(SEER) 17.5(SEER2)
HSPF		-	9(HSPF) 8.5(HSPF2)
Air Flow Volume		CFM	618/512/471/436/395/336/283
Dehumidifying Volume		Pint/d	3.8
Application Area		yd ²	28-41
Indoor Unit Model		TWH18ATDXD-D3DNA3AI	
Indoor Unit	Fan Type	-	Cross-flow
	Fan Diameter Length(D × L)	mm	Φ106 × 706
	Cooling Speed	r/min	1350/1200/1120/1050/980/860/750
	Heating Speed	r/min	1350/1200/1120/1050/950/850/750
	Fan Motor Power Output	W	45
	Fan Motor RLA	A	0.7
	Fan Motor Capacitor	μF	/
	Heater Power Input	W	/
	Evaporator Form	-	Aluminum Fin-copper Tube
	Evaporator Pipe Diameter	mm	Φ5
	Evaporator Row-fin Gap	mm	2-1.2
	Evaporator Coil Length (L × D × W)	mm	700 × 22.8 × 381
	Swing Motor Model	-	MP35CJ
	Swing Motor Power Output	W	2.5
	Fuse Current	A	3.15
	Sound Pressure Level	dB (A)	Cooling:50/46/44/42/40/36/32 Heating:49/46/44/41/38/34/30
	Sound Power Level	dB (A)	Cooling:60/56/54/52/50/46/42 Heating:59/56/54/51/48/44/40
	Dimension (W × H × D)	inch	37 1/8 × 13 7/64 × 9 11/16
	Package Carton Dimension (L × W × H)	inch	39 7/32 × 15 5/8 × 12 9/32
	Package Dimension (L × W × H)	inch	39 13/32 × 15 15/16 × 12 43/64
	Net Weight	lb	28.7
	Gross Weight	lb	34.2

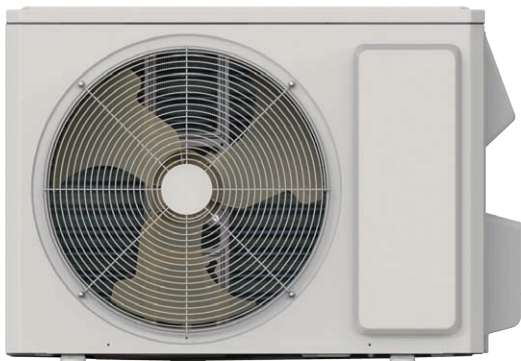
Job Name:

Schedule Reference:

Date:



Model: TWH18ATDXD-D3DNA3A



Outdoor Unit Model		TWH18ATDXD-D3DNA3AO		
Outdoor Unit	Compressor Manufacturer	-	ZHUHAI LANDA COMPRESSOR CO. LTD.	
	Compressor Model	-	QXF-A139ZH170A	
	Compressor Oil	-	FW68DA or equivalent	
	Compressor Type	-	Rotary	
	Compressor LRA.	A	25.0	
	Compressor RLA	A	9.35	
	Compressor Power Input	W	1295	
	Compressor Overload Protector	-	/	
	Fan Type	-	Axial-flow	
	Fan Diameter	mm	Φ420	
	Fan Motor Speed	rpm	940	
	Fan Motor Power Output	W	30	
	Fan Motor RLA	A	0.9	
	Fan Motor Capacitor	μF	/	
	Outdoor Unit Air Flow Volume	CFM	1480	
	Condenser Form	-	Aluminum Fin-copper Tube	
	Condenser Pipe Diameter	mm	Φ7	
	Condenser Rows-fin Gap	mm	2-1.4	
	Condenser Coil Length (L × D × W)	mm	787 × 23 × 514	
	Permissible Excessive Operating Pressure for the Discharge Side	MPa	4.3	
	Permissible Excessive Operating Pressure for the Suction Side	MPa	2.5	
	Maximum Allowable Pressure	MPa	4.3	
	Set Temperature Range	°F	61~86	
	Cooling Operation Ambient Temperature Range	°F	0~115	
	Heating Operation Ambient Temperature Range	°F	-13~75	
	Throttling Method	-	Capillary	
	Defrosting Method	-	Automatic Defrosting	
	Climate Type	-	T1	
	Isolation	-	I	
	Moisture Protection	-	IPX4	
	Sound Pressure Level	dB (A)	57	
	Sound Power Level	dB (A)	67	
	Dimension (W × H × D)	inch	31 37/64 × 21 27/32 × 13 25/32	
	Dimension of Carton Box (L × W × H)	inch	34 7/32 × 15 35/64 × 23 25/64	
	Dimension of Package(L × W × H)	inch	34 21/64 × 15 43/64 × 24 13/32	
	Net Weight	lb	71.7	
	Gross Weight	lb	77.2	
	Refrigerant	-	R410A	
	Refrigerant Charge	oz	44.1	
	Connection Pipe	Length	ft	24.6
		Gas Additional Charge	oz/ft	0.2
		Outer Diameter Liquid Pipe	inch	1/4
		Outer Diameter Gas Pipe	inch	1/2
		Max. Height Distance	ft	32.8
		Max. Length Distance	ft	82
Note: The connection pipe applies metric diameter.				

The above data is subject to change without notice. Please refer to the nameplate of the unit.

Job Name:

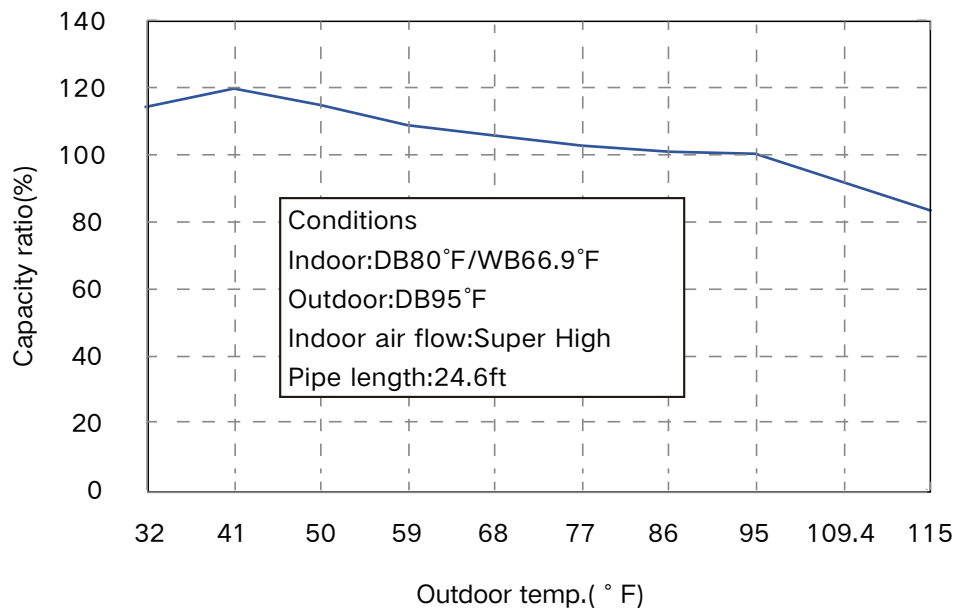
Schedule Reference:

Date:

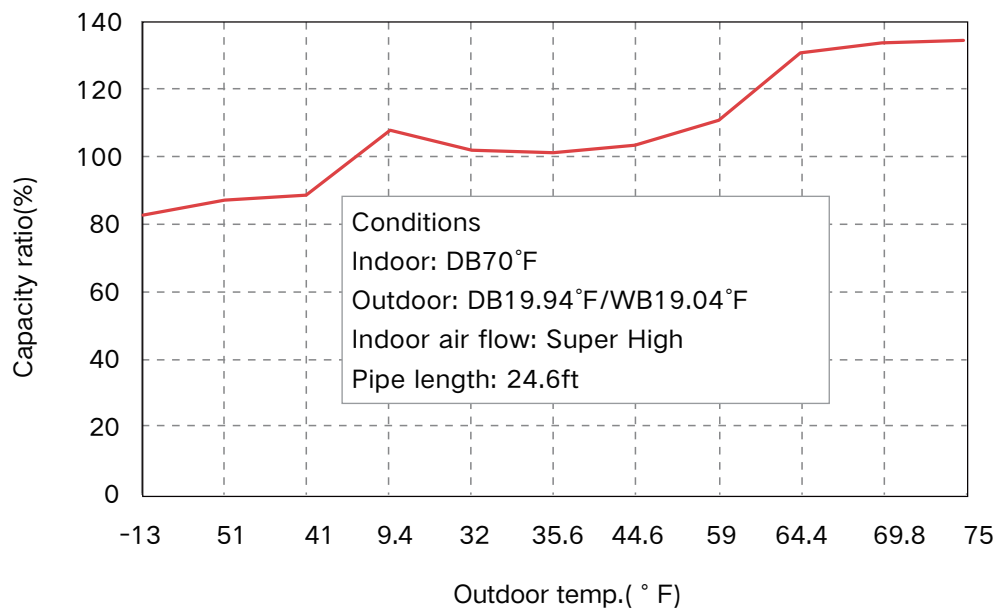


Capacity Variation Ratio According to Temperature

Cooling

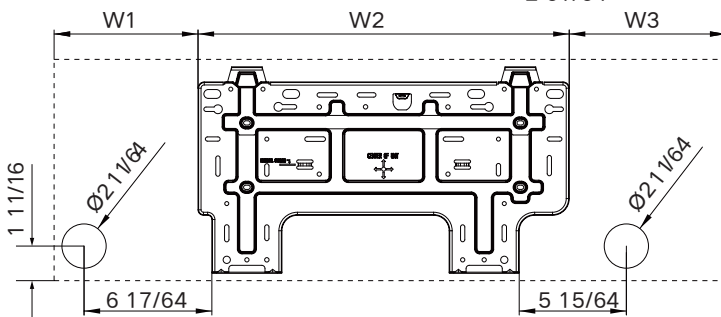
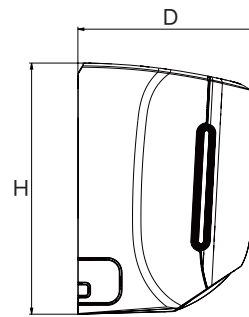
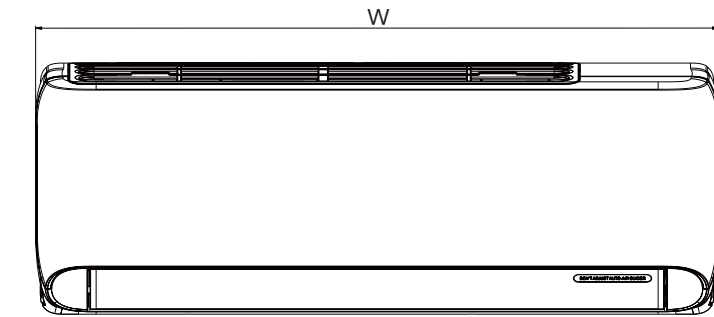


Heating



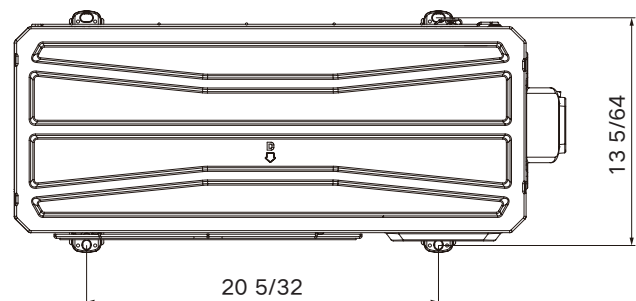
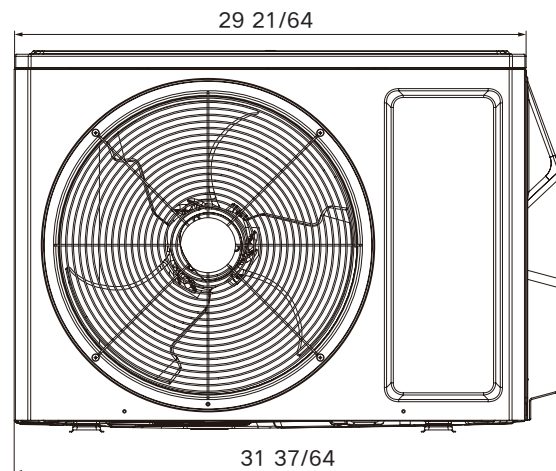
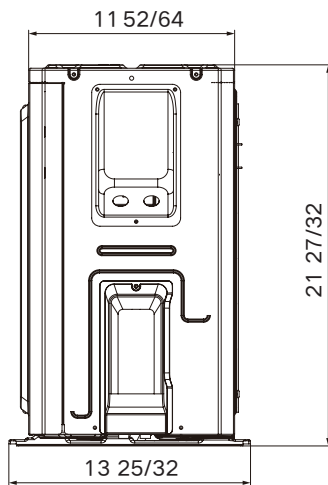


Outline Dimension Diagram



Unit: inch

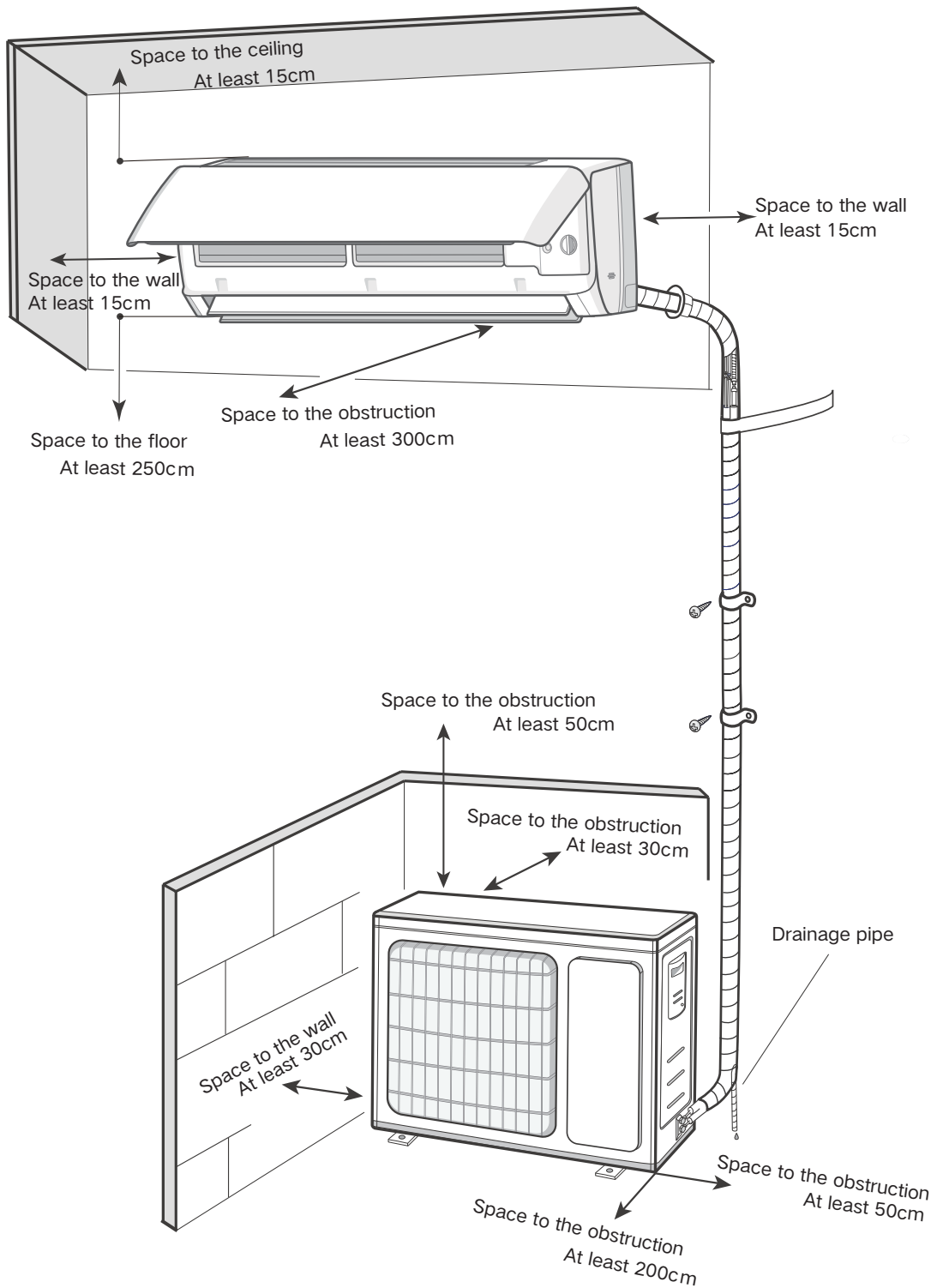
Model	W	H	D
ATC	32 7/8	10 53/64	7 7/8
	W1	W2	W3
	7 3/64	18 5/32	7 11/16



Unit:inch



Installation Dimension Diagram

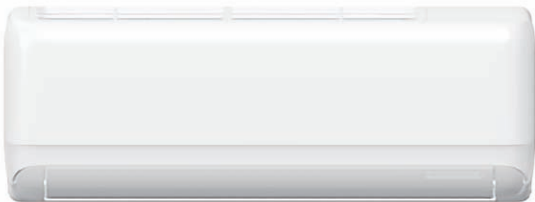




SPLIT TYPE

SUBMITTAL

Model: TWH24ATEXF-D3DNA3E



Model		TWH24ATEXF-D3DNA3E	
Power Supply	Rated Voltage	V~	208/230
	Rated Frequency	Hz	60
	Phases	-	1
Power Supply Mode		-	Outdoor
Cooling Capacity		Btu/h	22000
Heating Capacity		Btu/h	24000
Cooling Power Input		W	1896
Heating Power Input		W	2051
Cooling Current		A	8.5
Heating Current		A	9.5
Rated Input		W	2400
Rated Current		A	12
EER		(Btu/h)/W	11.6
COP		(Btu/h)/W	11.7
SEER		-	18(SEER) 18(SEER2)
HSPF		-	10(HSPF) 8.5(HSPF2)
Air Flow Volume		CFM	677/589/559/500/471/441/412
Dehumidifying Volume		Pint/h	5.28
Application Area		yd ²	28-41
Indoor Unit Model		TWH24ATEXF-D3DNA3EI	
Indoor Unit	Fan Type	-	Cross-flow
	Fan Diameter Length(D × L)	mm	Φ111.5 × 830
	Cooling Speed	r/min	1350/1200/1100/1000/950/900/850
	Heating Speed	r/min	1350/1200/1100/1000/950/900/850
	Fan Motor Power Output	W	45
	Fan Motor RLA	A	0.45
	Fan Motor Capacitor	μF	/
	Heater Power Input	W	/
	Evaporator Form	-	Aluminum Fin-copper Tube
	Evaporator Pipe Diameter	mm	Φ7
	Evaporator Row-fin Gap	mm	2-1.4
	Evaporator Coil Length (L × D × W)	mm	840 × 25.4 × 381
	Swing Motor Model	-	MP35CP
	Swing Motor Power Output	W	2.5
	Fuse Current	A	3.15
	Sound Pressure Level	dB (A)	Cooling: 51/47/45/42/40/38/36 Heating: 52/48/45/42/40/38/37
	Sound Power Level	dB (A)	Cooling: 61/57/55/52/50/48/46 Heating: 62/58/55/52/50/48/47
	Dimension (W × H × D)	inch	42 7/16 × 13 7/64 × 9 11/16
	Package Carton Dimension (L × W × H)	inch	44 13/32 × 15 63/64 × 12 23/32
	Package Dimension (L × W × H)	inch	44 39/64/32 × 16 19/64 × 13 7/64
	Net Weight	lb	33.1
	Gross Weight	lb	39.7

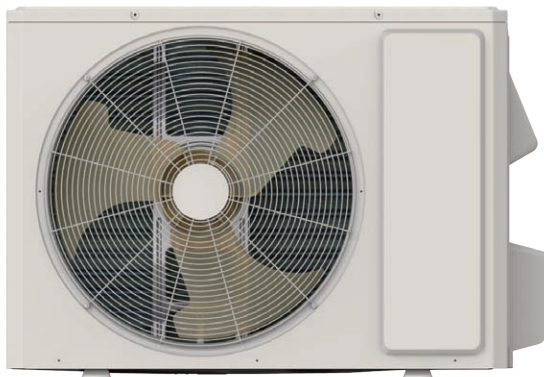
Job Name:

Schedule Reference:

Date:



Model: TWH24ATEXF-D3DNA3E



Outdoor Unit Model		TWH24ATEXF-D3DNA3EO
Outdoor Unit	Compressor Manufacturer	- ZHUHAI LANDA COMPRESSOR CO. LTD.
	Compressor Model	- FTz-SM151AXBD
	Compressor Oil	- FW68DA or equivalent
	Compressor Type	- Rotary
	Compressor LRA.	A 35.00
	Compressor RLA	A 10.39
	Compressor Power Input	W 1330
	Compressor Overload Protector	- HPC 115/95U1 KSD115°C
	Fan Type	- Axial-flow
	Fan Diameter	mm 520
	Fan Motor Speed	rpm 880
	Fan Motor Power Output	W 60
	Fan Motor RLA	A 0.73
	Fan Motor Capacitor	μF 3.5
	Outdoor Unit Air Flow Volume	CFM 1883
	Condenser Form	- Aluminum Fin-copper Tube
	Condenser Pipe Diameter	mm Φ7
	Condenser Rows-fin Gap	mm 2-1.4
	Condenser Coil Length (L × D × W)	mm 839 × 38.1 × 616
	Permissible Excessive Operating Pressure for the Discharge Side	MPa 4.3
	Permissible Excessive Operating Pressure for the Suction Side	MPa 2.5
	Maximum Allowable Pressure	MPa 4.3
	Set Temperature Range	°F 61~86
	Cooling Operation Ambient Temperature Range	°F -0.4~122
	Heating Operation Ambient Temperature Range	°F 19.4~75.2
	Throttling Method	- Electron expansion valve
	Defrosting Method	- Automatic Defrosting
	Climate Type	- T1
	Isolation	- I
	Moisture Protection	- IPX4
	Sound Pressure Level	dB (A) 57
	Sound Power Level	dB (A) 67
Dimension (W × H × D)	inch 37 23/32 × 25 63/64 × 15 53/64	
Dimension of Carton Box (L × W × H)	inch 40 33/64 × 17 53/64 × 28 5/32	
Dimension of Package(L × W × H)	inch 40 5/8 × 17 61/64 × 29 1/64	
Net Weight	lb 97	
Gross Weight	lb 106.9	
Refrigerant	- R410A	
Refrigerant Charge	oz 52.9	
Connection Pipe	Length	ft 24.6
	Gas Additional Charge	oz/ft 0.5
	Outer Diameter Liquid Pipe	inch 1/4
	Outer Diameter Gas Pipe	inch 5/8
	Max. Height Distance	ft 32.8
	Max. Length Distance	ft 82.0

Note: The connection pipe applies metric diameter.

The above data is subject to change without notice. Please refer to the nameplate of the unit.

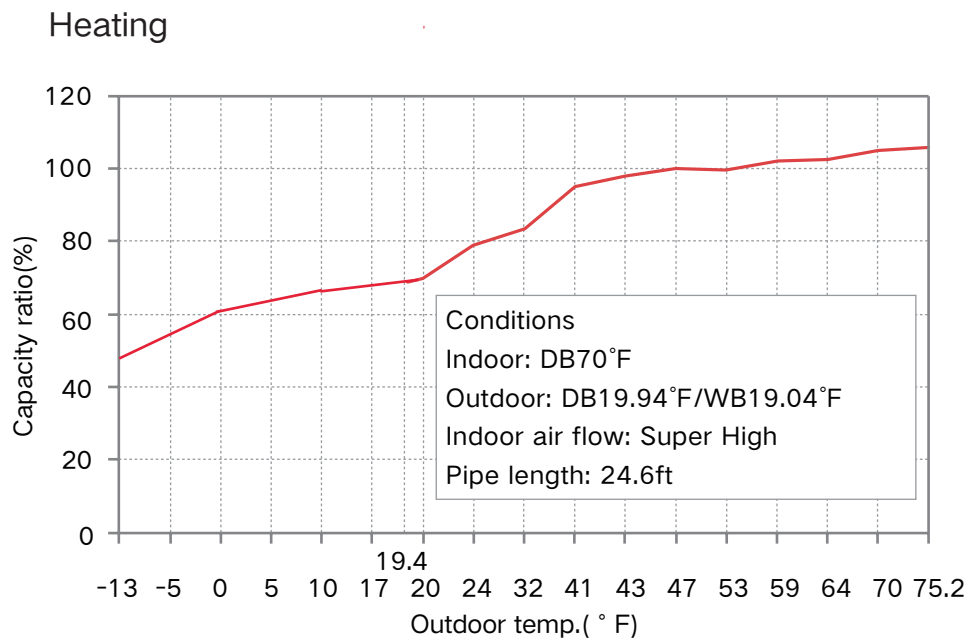
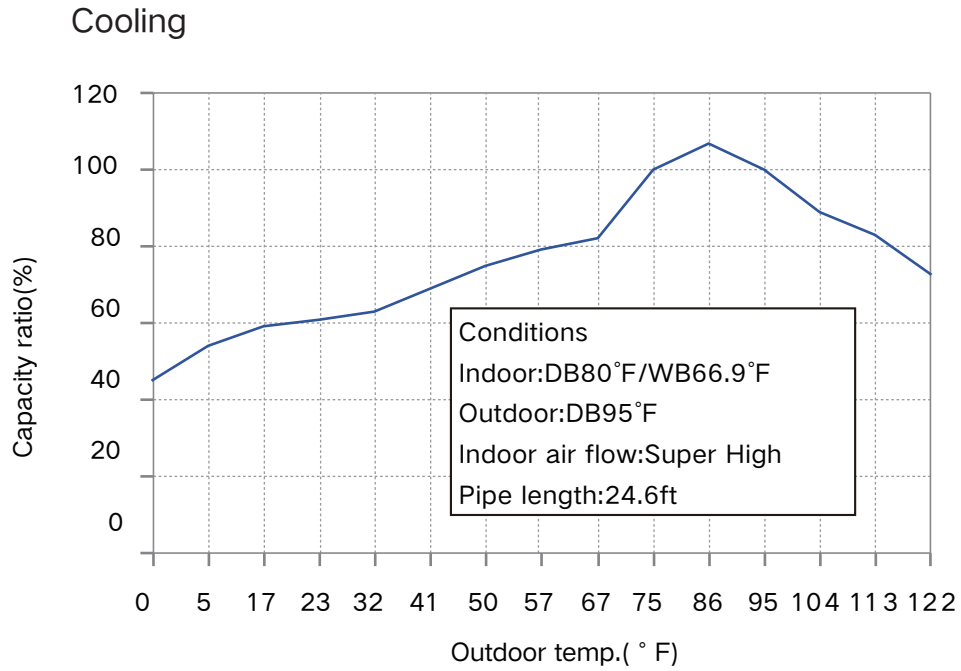
Job Name:

Schedule Reference:

Date:

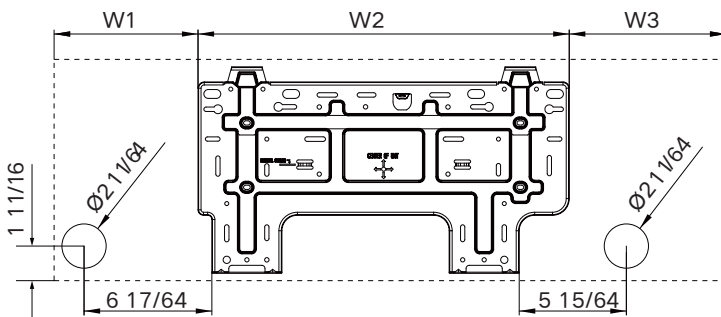
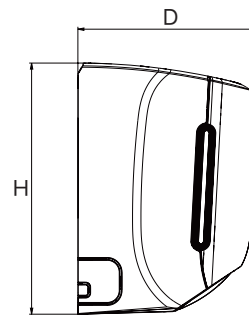
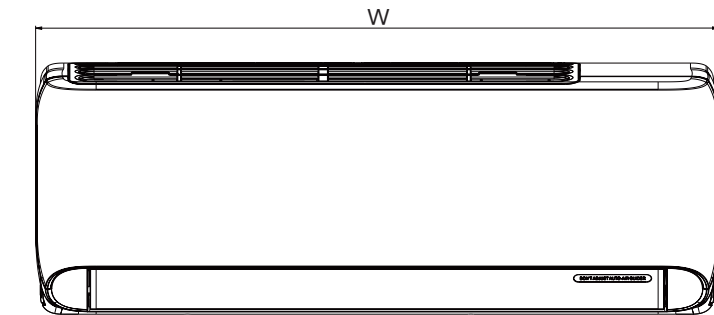


Capacity Variation Ratio According to Temperature



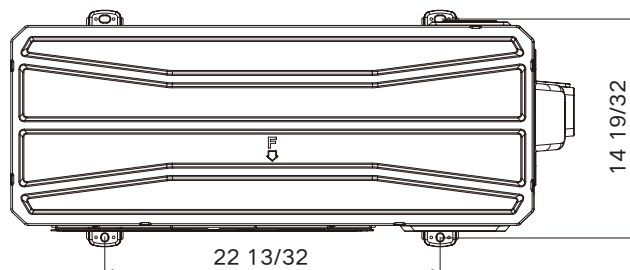
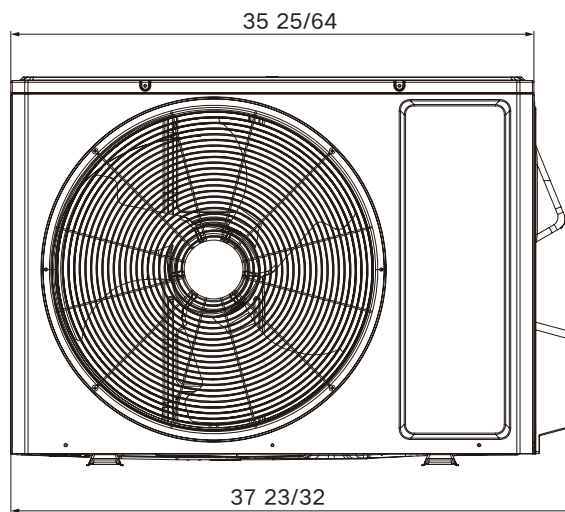
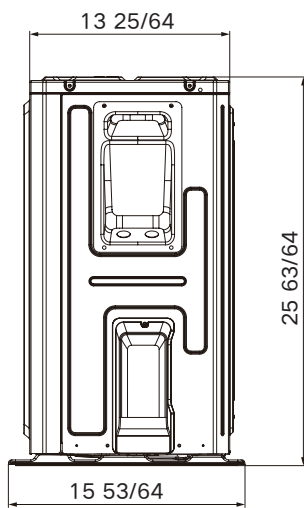


Outline Dimension Diagram



Unit: inch

Model	W	H	D
ATE	42 7/16	13 7/64	9 11/16
	$W1$	$W2$	$W3$
	10 3/16	22 3/32	10 5/32



Unit:inch



Installation Dimension Diagram

