

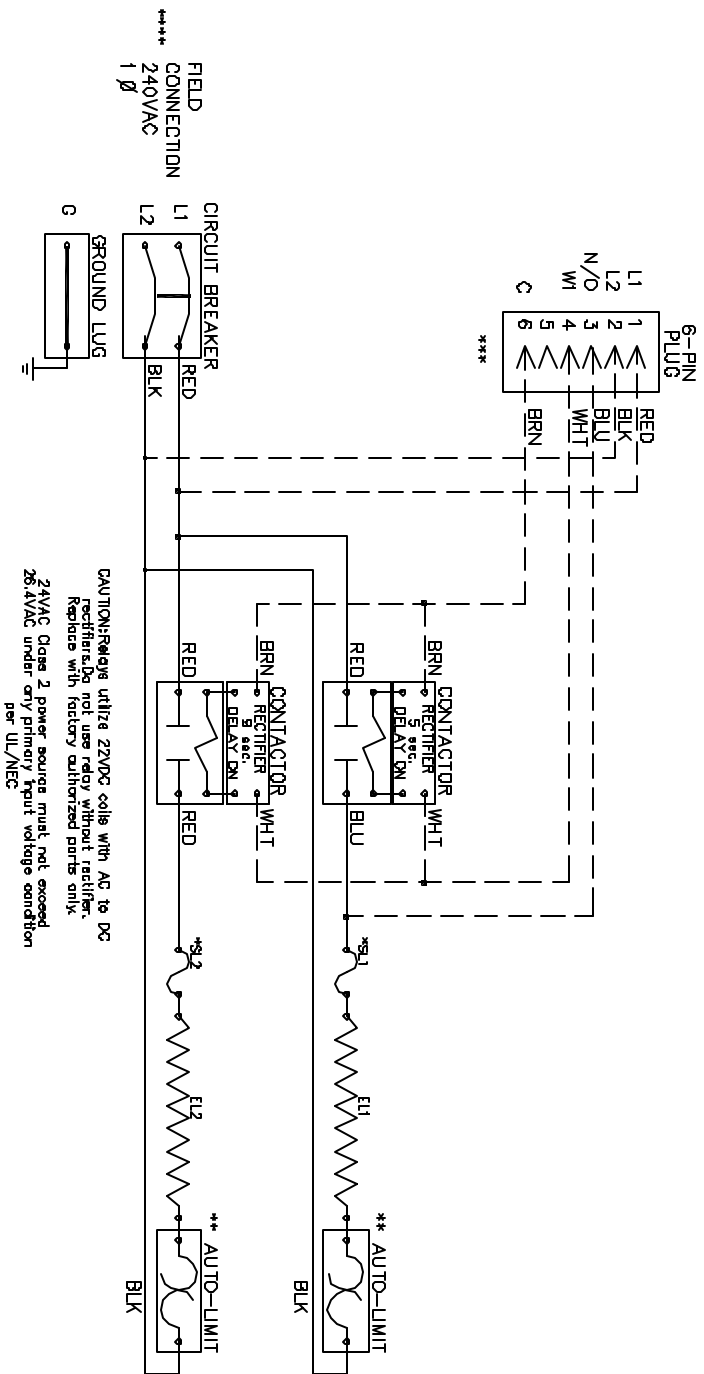
Model	WHE-0502B
Serial #	
Tag -	
Kilowatts	4.80
Volts-Ph-Hz	240/1/60
Control Volts	24.0
Steps	1
Heater Amps	21.00
Circuit Breaker	30

Control Wiring -----  
 Power Wiring -----  
 Field Wiring -----

Rev. by : M. REEVES  
 Date : 04/05/12

WARREN TECHNOLOGY

- NOTE :
- \* Replace "Service Loop" with SL 6040-063
  - \*\* Replace Auto-Reset with Therm-O-Disc type 60TX11-L165.
  - \*\*\* 24VAC, Class 2 power source must not exceed 26.4VAC under any primary input voltage condition per UL/NEC.
  - \*\*\*\* Power supply wiring per NEC & Local Codes. Suitable for at least 75°C. Use copper conductor wiring only.



NOTE :

- \* Replace "Service Loop" with SL 6040-063
- \*\* Replace Auto-Reset with Therm-O-Disc type 60TX11-L165.
- \*\*\* 24VAC, Class 2 power source must not exceed 26.4VAC under any primary input voltage condition per UL/NEC.
- \*\*\*\* Power supply wiring per NEC & Local Codes. Suitable for at least 75°C.
- Use copper conductor wiring only.

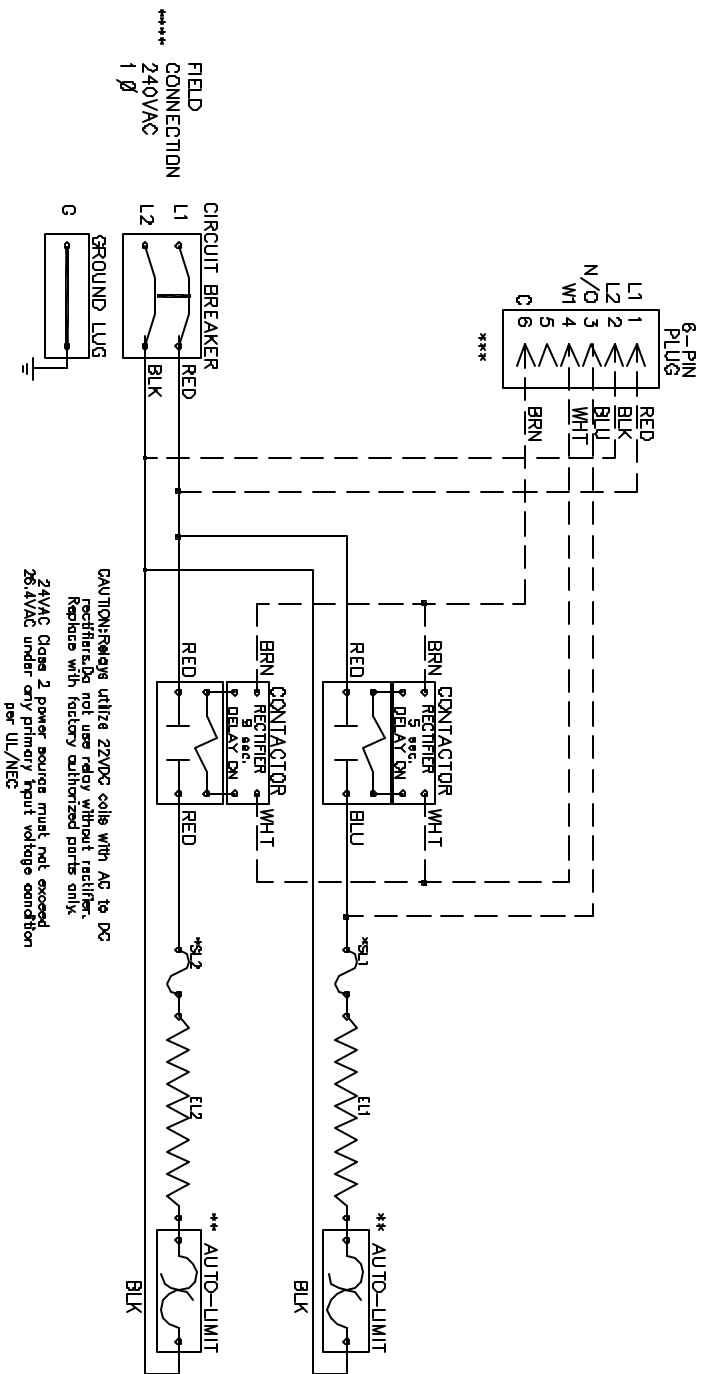
Model	WHE-0802B
Serial #	
Tag -	
Kilowatts	7.5
Volts-Ph-Hz	240/1/60
Control Volts	24.0
Steps	1
Heater Amps	32.00
Circuit Breaker	50

WHE0802B

Rev. by : M. REEVES  
Date : 04/05/12

WARREN TECHNOLOGY

Control Wiring -----  
Power Wiring -----  
Field Wiring -----



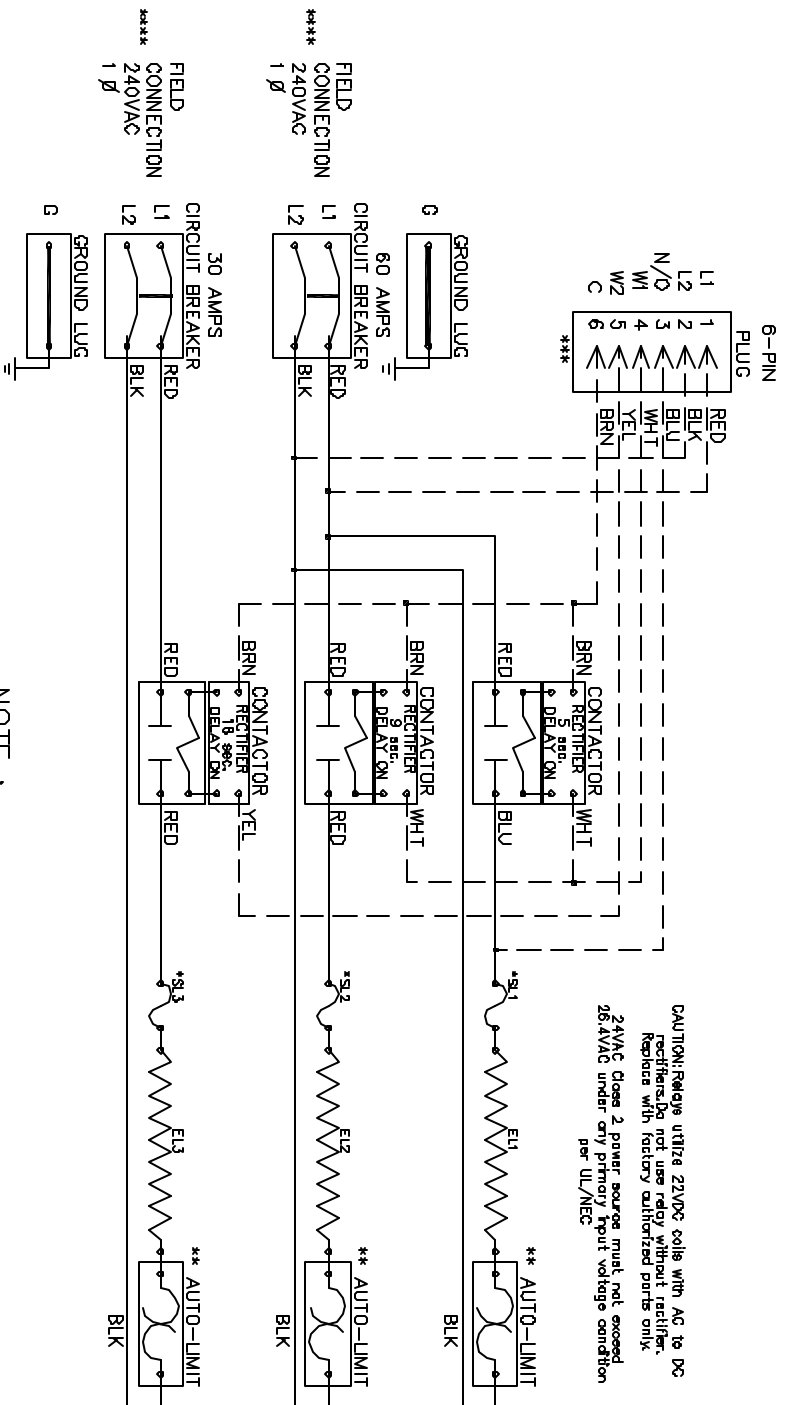
Model \_\_\_\_\_ WHE-1002B  
 Serial # \_\_\_\_\_  
 Tag - \_\_\_\_\_  
 Kilowatts \_\_\_\_\_  
 Volts-Ph-Hz \_\_\_\_\_  
 Control Volts \_\_\_\_\_  
 Steps \_\_\_\_\_  
 Heater Amps \_\_\_\_\_  
 Circuit Breaker \_\_\_\_\_

Control Wiring -----  
 Power Wiring -----  
 Field Wiring -----

Rev. by : M. REEVES  
 Date : 04/05/12

WARREN TECHNOLOGY

- NOTE :
- \* Replace "Service Loop" with SL 6040-063
  - \*\* Replace Auto-Reset with Therm-O-Disc type 60TX11-L165.
  - \*\*\* 24VAC, Class 2 power source must not exceed 25.4VAC under any primary input voltage condition per UL/NEC.
  - \*\*\*\* Power supply wiring, per NEC & Local Codes. Suitable for at least 75°C.
- Use copper conductor wiring only.



NOTE :

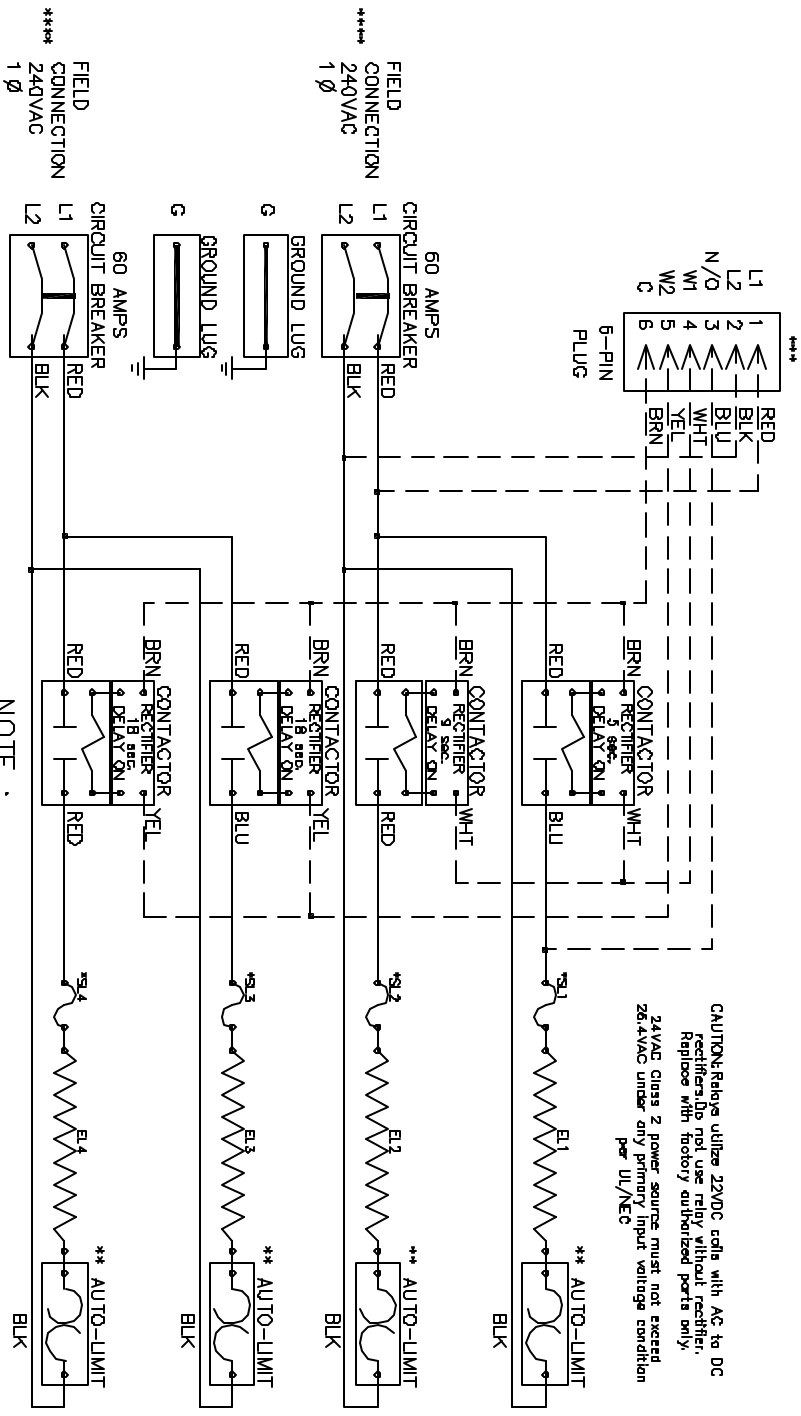
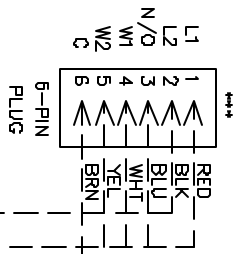
- \* Replace "Service Loop" with SL 6040-063
- \*\* Replace Auto-Reset with Therm-O-Disc type 60TX11-L165.
- \*\*\* 24VAC, Class 2 power source must not exceed 26.4VAC under any primary input voltage condition per UL/NEC.
- \*\*\*\* Power supply wiring per NEC & Local Codes. Suitable for at least 75°C.
- Use copper conductor wiring only.

Control Wiring -----  
 Power Wiring -----  
 Field Wiring -----

Model \_\_\_\_\_ WHE-1502B  
 Serial # \_\_\_\_\_  
 Tag - \_\_\_\_\_  
 Kilowatts \_\_\_\_\_  
 Volts-Ph-Hz \_\_\_\_\_  
 Control Volts \_\_\_\_\_  
 Steps \_\_\_\_\_  
 Heater Amps \_\_\_\_\_  
 Circuit Breaker \_\_\_\_\_

Rev. by : M. REEVES  
 Date : 04/05/12

WARREN TECHNOLOGY



CAUTION: Relays utilize 220VDC coils with AC to DC rectification for use only without rectifier. Replace with factory substituted parts only.  
 24VDC Class 2 power source must not exceed 26.4VAC under any primary input voltage condition per UL/NEC

NOTE :

- \* Replace "Service Loop" with SL 6040-063
- \*\* Replace Auto-Reset with Therm-O-Disc type 60TX11-L165.
- \*\*\* 24VAC, Class 2 power source must not exceed 26.4VAC under any primary input voltage condition per UL/NEC.
- \*\*\*\* Power supply wiring per NEC & Local Codes. Suitable for at least 75°C. Use copper conductor wiring only.

Model	WHE-2002B
Serial #	
Tag -	
Kilowatts	20.0
Volts-Ph-Hz	240/1/60
Control Volts	24.0
Steps	2
Heater Amps	42.0 /42.0
Circuit Breaker	60/60

Control Wiring -----  
 Power Wiring -----  
 Field Wiring -----

Rev. by : M. REEVES  
 Date : 04/05/12

WARREN TECHNOLOGY